

# QUICK REFERENCE GUIDE

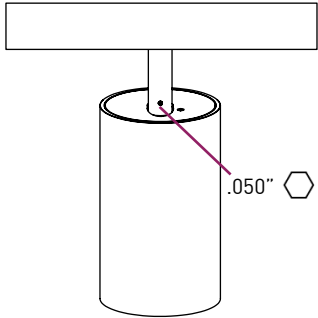
## TRACKHEAD

CT1 / CT2 / CTM1 / CTM2

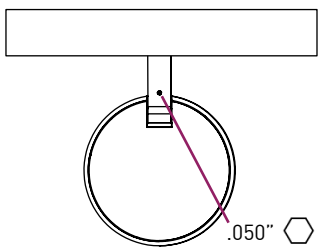


### ROTATION LOCK

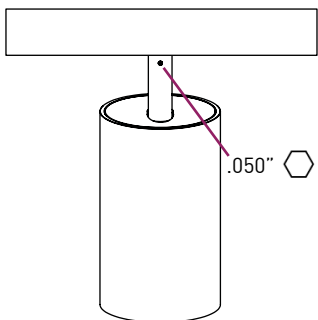
CT1



CT2

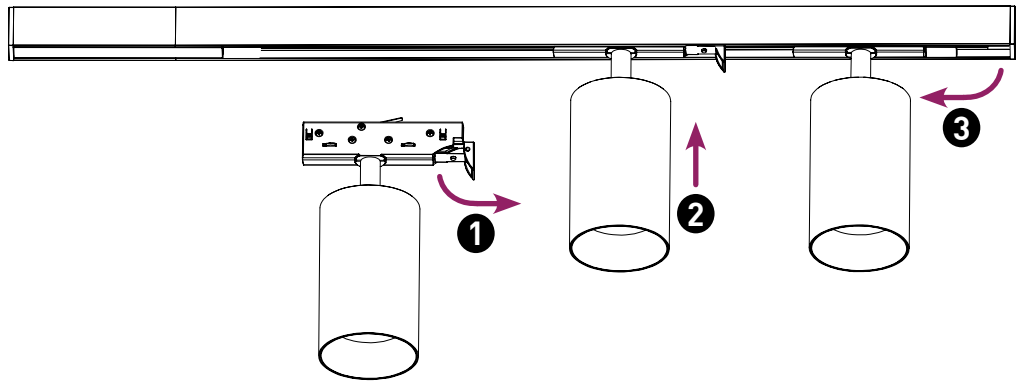
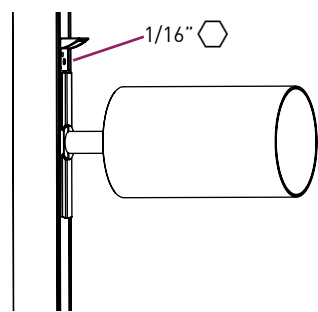


CTM1 / CTM2

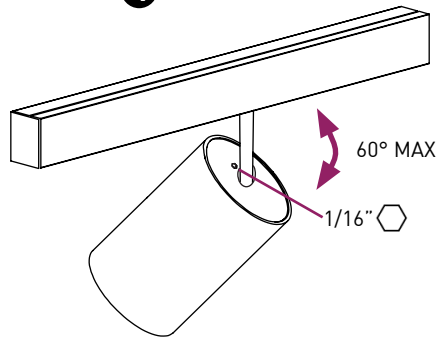


### WALLMOUNT

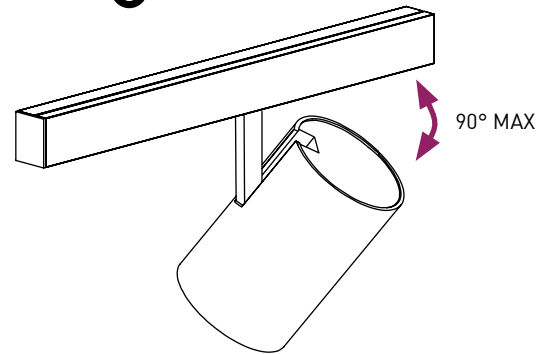
#### TRACKHEAD LOCK



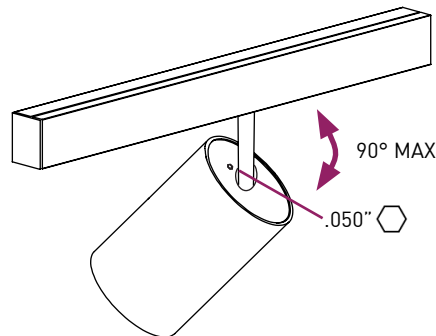
### 4 CT1 TILT



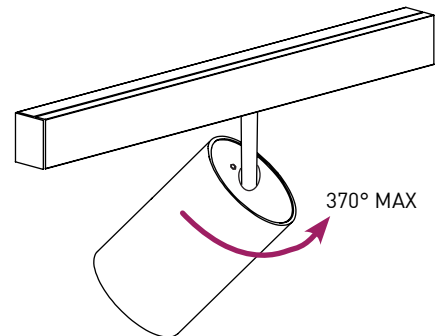
### 5 CT2 TILT



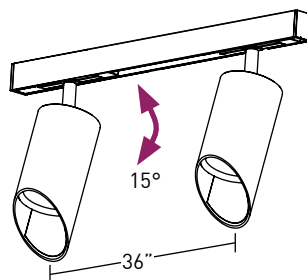
### 6 CTM1 / CTM2 TILT



### 7 ROTATION (ALL)



### 8 CTM1 / CTM2 WALLWASH

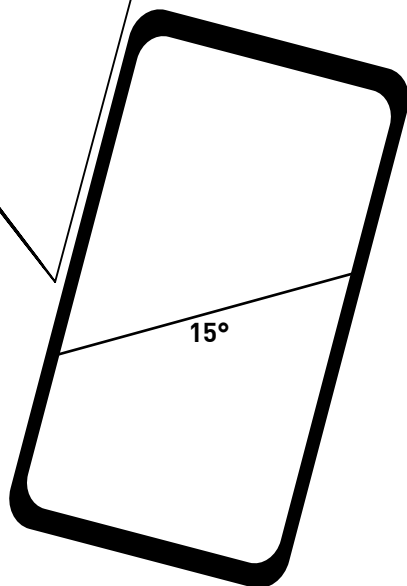


SEE TILT GUIDE ON  
BACK OF PAGE

↑ **CEILING PLANE** ↑

**CT1 15° TILT TEMPLATE**

**CT2 15° TILT TEMPLATE**



**RIDGID  
LEVEL APP**

