

# PATHLIGHT

## LED LUMINAIRE SSL1, ISL1, ISL2 & BOLLARDS

### INSTALLATION

Before beginning any pathlight installation, disconnect electrical power at main switch or circuit breaker.

#### A. CAUTION

To reduce the risk of fire, electric shock, and potential damage to recessed housing assembly when electrical power is re-connected, DO NOT ATTEMPT TO CONNECT the following on branch circuit serving pathlight assembly:

- Motors
- Power tools
- Extension cords
- Appliances or similar electronics

Fixtures to be mounted in conditions where ambient temperatures do not exceed 40°C.

Ensure AC input voltage is protected against surges & load shifts prior to power supply input.

#### B. SAFETY INSTRUCTIONS

1. Read installation instructions completely before attempting installation.
2. Failure to follow instructions may result in improper installation and void warranty.
3. Contact Lucifer Lighting Company with any questions or concerns before beginning any installation.
4. Ensure qualified electrician will perform all electrical procedures.
5. Disconnect electrical power circuit before attempting to install pathlight or power supply.

This product must be installed in accordance with applicable electrical and installation codes by a person familiar with the construction and operation of the product and the hazards involved. "CAUTION- RISK OF FIRE"

#### C. DESCRIPTION

Pathlights are Class II LED luminaires for discreet path lighting for residential, commercial and hospitality applications. Durable precision milled 316 stainless steel or brass casting.

#### D. RECOMMENDED SPACING

Optimum 18" (457mm) above walking surface; 36" (915mm) on-center spacing for SSL1 & ISL1; 60" (1524mm) on-center spacing for ISL2 .

#### E. POWER

Luminaires require factory-supplied 24-Volt DC power supply, specified separately. Integral and remote mounted power supply options available. Secondary run lengths dependant of selected power supply. Fixtures supplied with 6" lead of 18 gauge wire.

## F. POWER SUPPLIES

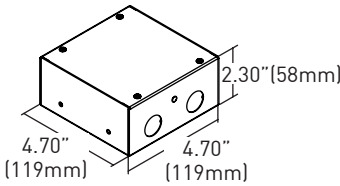
### 1. REMOTE POWER SUPPLIES

Class 2 remote power supplies accommodate varying quantities of fixtures. Power supply must be located in a readily accessible location for future servicing.

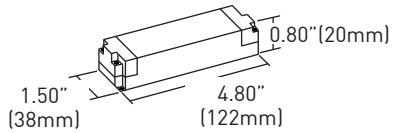
#### REMOTE POWER SUPPLY OPTIONS

PART #	Part ID
PSA-24V-60-XAT2	A
PSA-24V-XX-XXXX	B
UBB-JCT-24V-60-XAT2-XXX	C

- (A) Class 2 power supply dimmable via 0-10V analog, reverse phase or forward phase. Domestic version features 1/2" knockouts.

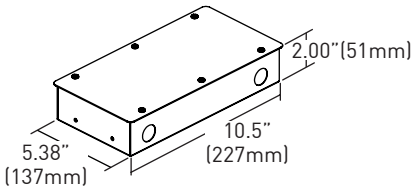


Domestic

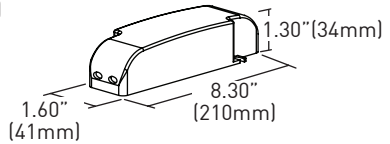


International

- (B) Class 2 power supply and multiple driver options. Domestic version features 1/2" knockouts.

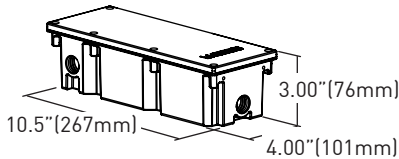


Domestic



International

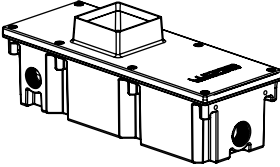
- (C) Universal back box with 1/2" knockouts, wet and concrete pour rated. Dimmable via 0-10V analog, reverse phase or forward phase. Can be mounted using specified hanger bars or brackets. Available for domestic and international.



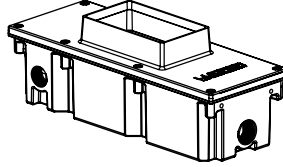
## 2. INTEGRAL POWER SUPPLY

When specified with integral power supply, universal back box or Bollard feature mounting for 1 fixture. Universal back box power supply can support multiple fixtures. Separate mounting components required for each fixtures.

ISL / SSL UBB



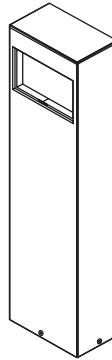
ISL2 UBB



ISL / SSL BOLLARD



ISL2 BOLLARD



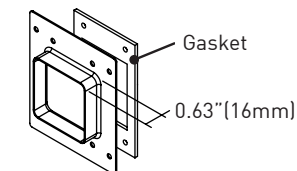
## G. LUMINAIRE MOUNTING OPTIONS

Ensure mounting component and wiring is in place before installing substrate. Minimal tolerances exist between fixture and mounting component, cutout dimensions are critical. Part numbers & Images depicted through this guide are applicable of SSL1 & ISL1.

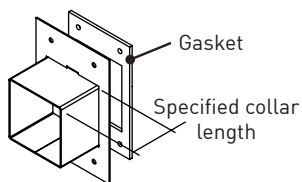
### 1. MOUNTING PLATES - DRY / DAMP, WET AND CONCRETE POUR LOCATIONS

**SSL-UMP:** Compatible with two-gang switch box or 4-square junction box for Dry / Damp locations and weatherproof single or two gang box for Wet and concrete pour locations. Must use provided gasket in Wet locations.

**SSL-MP-(Collar Length):** For use with single gang weatherproof box for Wet and concrete pour locations. Must use provided gasket in Wet locations.

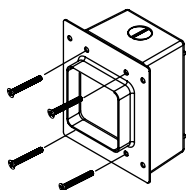


SSL-UMP

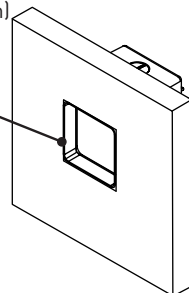


SSL-MP-(Collar Length)

SSL1 & ISL1: 2.40" (62mm) square cutout  
 ISL2: 2.40" (62mm) H X 4.10" (104mm) W cutout



Secure mounting plate to customer furnished back box



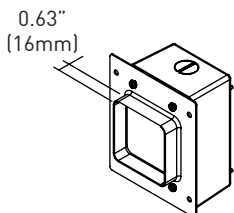
Collar to finish flush with finished substrate

### 2. BACK BOXES - DRY / DAMP, WET AND CONCRETE POUR LOCATIONS

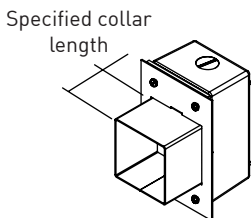
**SSL-BB:** Includes back box, gasket and SSL-UMP mounting plate; features 1/2" knockouts on top, bottom and back of box.

**SSL-BB-(Collar Length):** Includes back box, gasket and mounting plate with specified collar length; features 1/2" knockouts on top, bottom and back of box.

**Note:** All unused knockout must be sealed with supplied plugs.

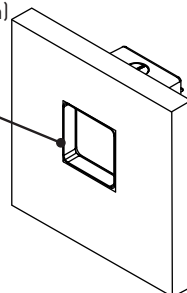


SSL-BB



SSL-BB-(Collar Length)

SSL1 & ISL1: 2.40" (62mm) square cutout  
 ISL2: 2.40" (62mm) H X 4.10" (104mm) W cutout



Collar to finish flush with finished substrate

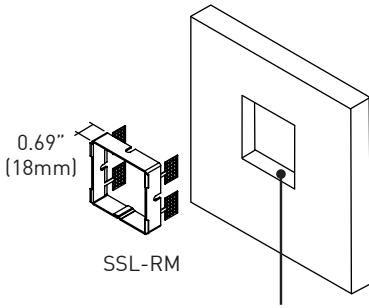
### 3. MOUNTING COLLARS - DRY / DAMP LOCATIONS ONLY

SSL-RM: Remodel collar for installing fixture into drywall / plasterboard.

SSL-CC: Cavity collar for installing fixture into cavity or bore.

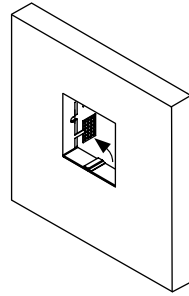
SSL-SC3: Stud-mount collar, adjusts from 1/2" to 3". Features 1/2" knockouts.

SSL-SC6: Stud-mount collar, adjusts from 3" to 6". Features 1/2" knockouts.

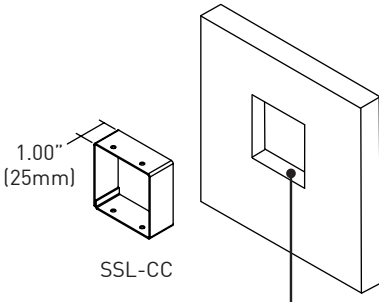


SSL-RM

SSL1 & ISL1: 2.40" (62mm) square cutout  
ISL2: 2.40" (62mm) H X 4.10" (104mm) W cutout

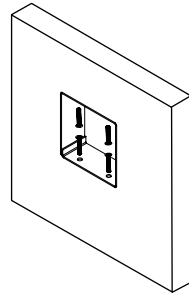


Insert collar into cutout flush with finished substrate; fold tabs over to secure.

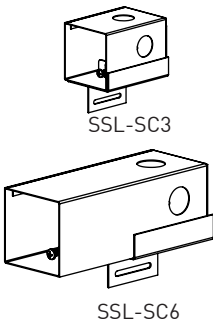


SSL-CC

SSL1 & ISL1: 2.40" (62mm) square cutout  
ISL2: 2.40" (62mm) H X 4.10" (104mm) W cutout

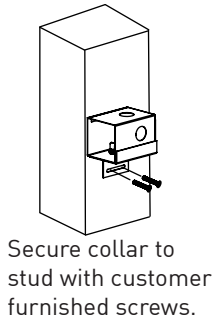


Insert collar into cutout flush with finished substrate; secure with customer furnished screws or nails or suitable bonding adhesive.

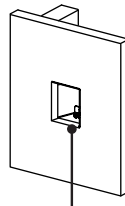


SSL-SC3

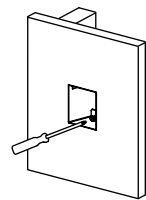
SSL-SC6



Secure collar to stud with customer furnished screws.



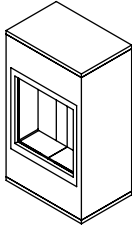
2.40" (62mm) square cutout



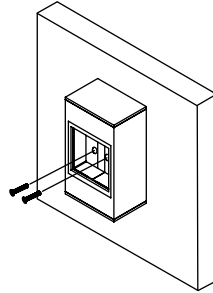
Extend collar to be flush with finished substrate.

**4. SURFACE MOUNT BOX - DRY / DAMP AND WET LOCATIONS**

SSL-SMB-(Finish): Provides flush mount of luminaire. Receives secondary wiring through back of box only.



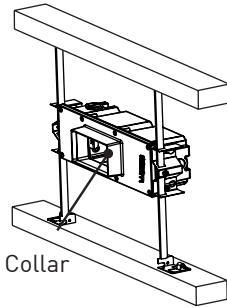
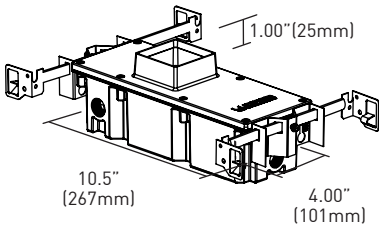
SSL-SMB-(Finish)



Mount to finished surface through back of box with customer furnished screws

**5. UNIVERSAL BACK BOX - WET AND CONCRETE POUR LOCATIONS**

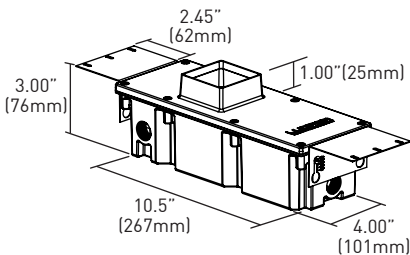
Can be specified with integral or remote power supply, supplied with hanger bars or brackets, specified on order. SSL1 & ISL1 mount horizontally or vertically, ISL2 mounts horizontally only. SSL1 & ISL1: 2.40" (62mm) square cutout. ISL2: 2.40" (62mm) H X 4.10" (104mm) W cutout.



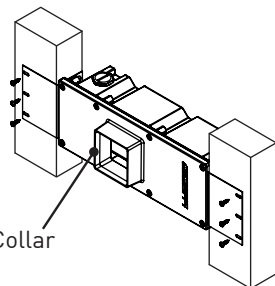
Collar

Hanger bars adjust from 14" (356mm) to 24" (610mm) and may be cut to accommodate narrow stud spacing.

Collar to finish flush with finished substrate.



Brackets, universal stainless steel mounting flange.



Collar

Collar to finish flush with finished substrate.

## 6. BOLLARD - DRY / DAMP AND WET LOCATIONS

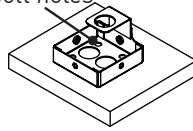
Freestanding mount, receives luminaire for flush installation, available with integral or remote power supply. Mounting option specified on order. Ensure all wiring is installed prior to bollard installation.

0.88" (22mm)  
KOs for wiring

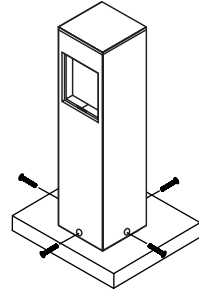


**BOLT-DOWN**

Four 0.28" (7mm)  
bolt holes

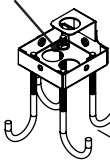


Base is bolted directly to mounting surface with customer-furnished hardware



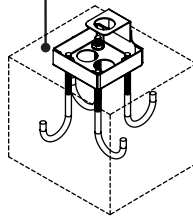
Secure bollard to base with supplied screws

0.88" (22mm)  
KOs for wiring

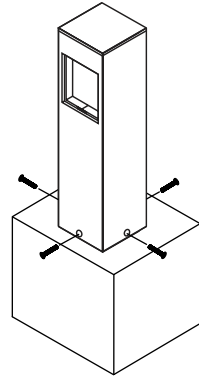


**CONCRETE POUR**

Concrete Pour

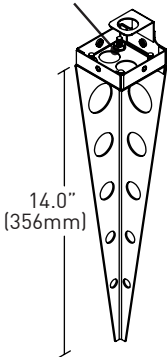


Zinc-plate J-bolts for concrete pour mounting



Secure bollard to base with supplied screws

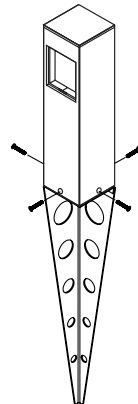
0.88" (22mm)  
KOs for wiring



14.0" (356mm)

**STAKE DOWN**

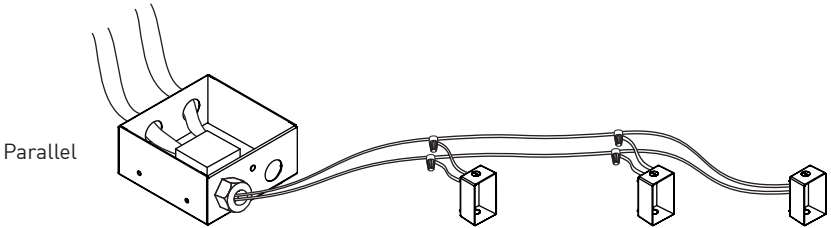
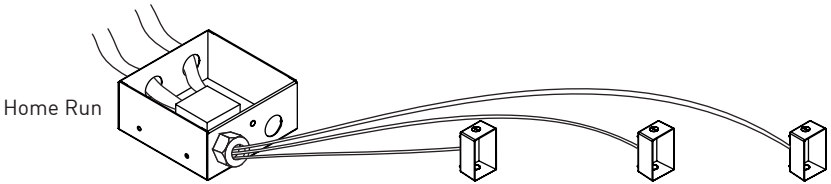
Secure bollard to base and insert into ground



## H. WIRING

Access wiring compartment by removing lid and lid retaining screws. Insert line, load and control voltage wires with appropriate conduit or strain relief fittings through knockouts.

Connect primary and control wiring to power supply. Run secondary low voltage wiring to each fixture location in either home run or parallel method. Reference table below for maximum allowable secondary wiring distances.



\*Back boxes used as example of mounting location

### MAXIMUM ALLOWABLE SECONDARY WIRING DISTANCES

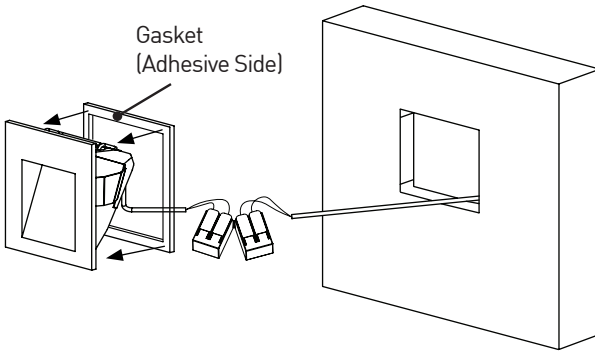
DRIVER	WIRE AWG				
	12	14	16	18	20
PH1, AT2	75'	60'	50'	40'	-
L22, LP1	60'	40'	25'	15'	-
EX2, ED1	-	-	118'	72'	45'



## I. LUMINAIRE INSTALLATION

Place self-adhesive gasket on back of luminaire for wet locations. Attach low voltage wiring to the corresponding 2-pin lever-nut connectors. Red to Red (+), Black to Black (-) (see wiring diagram on page 14).

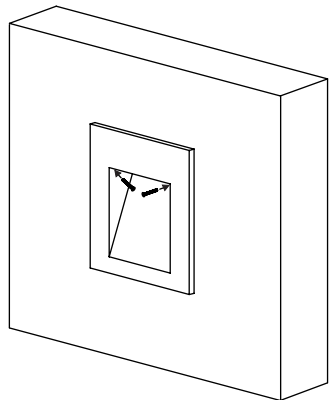
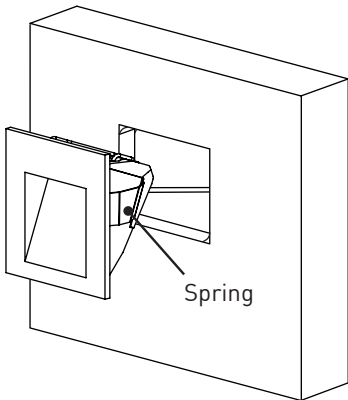
**Note:** Gasket not used on Bollard or Surface Mount Box



Push wires into cavity / junction box and insert fixture as shown below, applying even pressure to face of fixture.

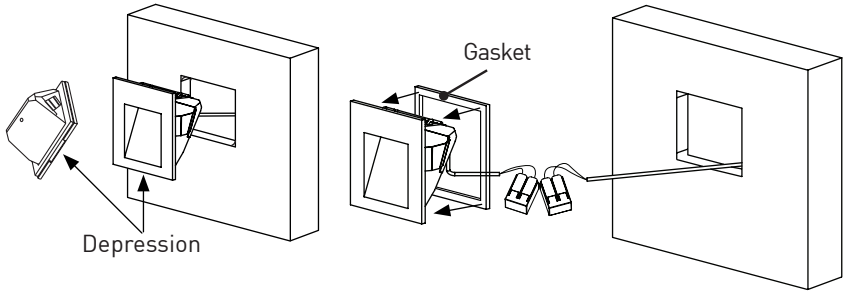
**Note:** If mounting device collar is not flush with substrate, springs may not fully engage.

Fixtures designated as Locking (Wet location) feature two discreet factory supplied locking screws. While fixture is pressed in place, tighten hex screws with provided hex key.



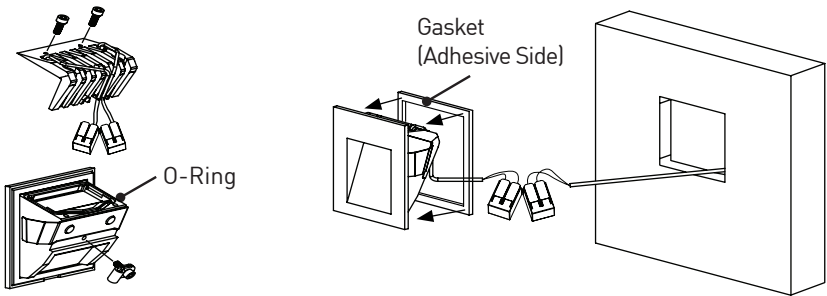
## J. SERVICING LED

If Locking (Wet location) version, loosen 2 screws located inside fixture aperture using hex key. Pull fixture outward from mounting surface. A small depression is provided on the lower backside of the fitting face to aid in leveraging the fixture if necessary. Disconnect low voltage wiring for 2-pin lever nut connectors.



Remove 3 hex screws and separate LED assembly from fixture. Replace with OEM LED assembly sourced through Lucifer Lighting. Ensure O-ring seats properly and screws are tightened. Replace gasket. Attach low voltage wiring to the corresponding 2-pin lever-nut connectors. Red to Red (+), Black to Black (-) (see wiring diagram on page 14).

If Locking (Wet location), tighten 2 screws located inside fixture aperture.



## K. SERVICING UBB

### STEP 1

Remove fixture from UBB, see Section I.

### STEP 2

Insert a flathead screwdriver through the brackets on the wiring compartment access panel and pry it towards the driver assembly and remove it through the aperture (*Fig. 1*).

### STEP 3

Disconnect line/mains and control wiring.

### STEP 4

Loosen driver retaining nut, ensuring it is not removed (*Fig.2*).

### STEP 5

Remove driver assembly.

### STEP 6

Disconnect additional load wiring if applicable.

### STEP 7

Reattach structure wiring to new driver, as applies.

### STEP 8

Install driver assembly, note that it must be seated on the rear stud and under the nut (*Fig.2*).

### STEP 9

Secure driver retaining nut (*Fig.2*).

### STEP 10

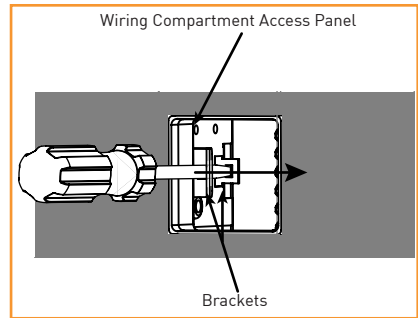
Reattach line/mains and control wiring.

### STEP 11

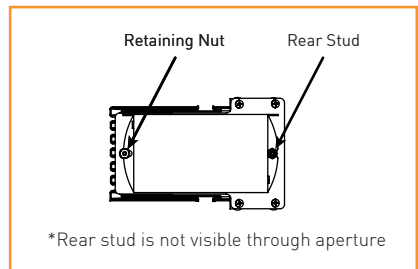
Install the wiring compartment access panel (*Fig.3*).

### STEP 12

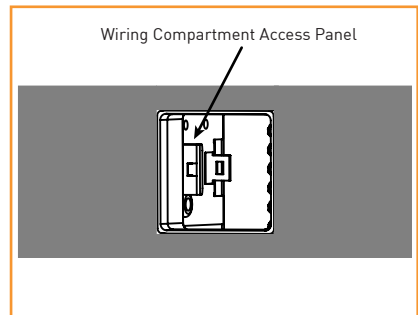
Re-install fixture in UBB, see Section I.



*Fig.1*



*Fig.2*



*Fig.3*

## L. SERVICING PS-RMT

### STEP 1

Remove screws securing lid to enclosure (*Fig.4*).

### STEP 2

With lid removed, disconnect line/mains, load and control wiring from driver.

### STEP 3

Remove power supply retaining clamps/screws/nuts as apply.

### STEP 4

Remove and replace driver assembly (*Fig.5*).

### STEP 5

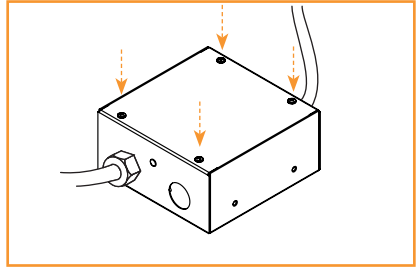
Secure with retaining clamps/screws/nuts.

### STEP 6

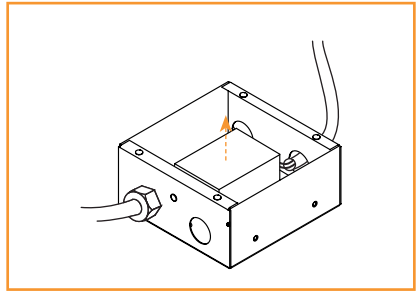
Reattach lines/mains, load and control wiring with suitable connectors. See Section N.

### STEP 7

Re-install lid on enclosure (*Fig.4*).



*Fig.4*



*Fig.5*

## M. SERVICING BOLLARD

### STEP 1

Remove fixture from bollard, see Section I.

### STEP 2

Remove retaining nut (*Fig. 6*).

### STEP 3

Access driver assembly by lifting the bollard cap up and out of the bollard (*Fig. 7*).

### STEP 4

Disconnect line/mains, load and control wiring from driver.

### STEP 5

Remove and replace driver assembly (*Fig. 7*).

### STEP 6

Reattach lines/mains, load and control wiring with suitable connectors. See Section N.

### STEP 7

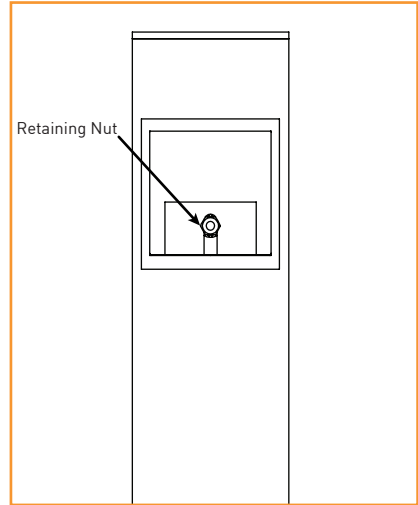
Slide driver and assembly and bollard cap back into the bollard, pressing down firmly to ensure to ensure cap is seated (*Fig. 7*).

### STEP 8

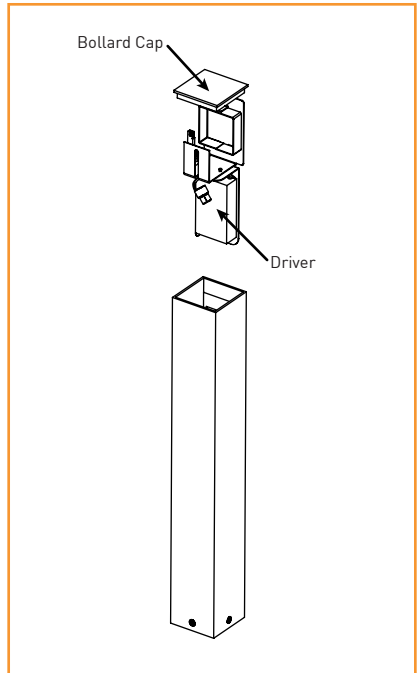
Install retaining nut (*Fig. 6*).

### STEP 9

Install fixture in UBB, see Section I.

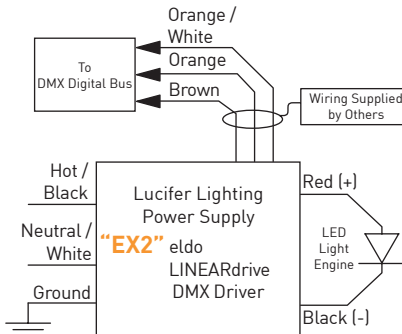
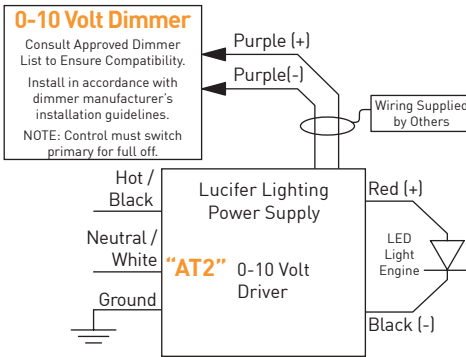
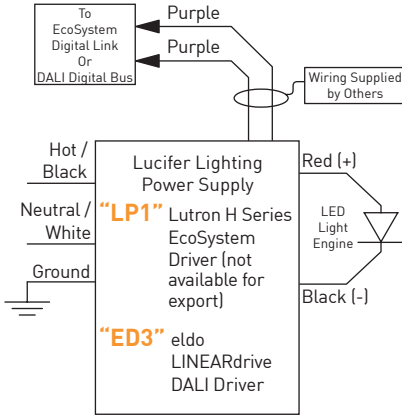
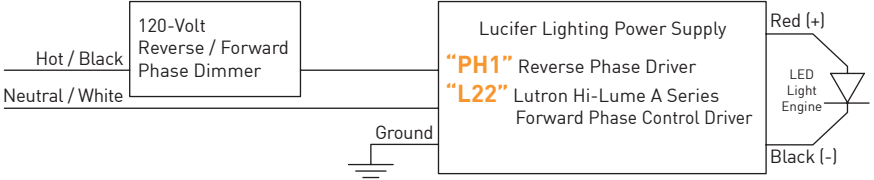


*Fig. 6*



*Fig. 7*

# N. DRIVER WIRING DETAIL



Please consult website for full warranty terms and conditions:  
[www.luciferlighting.com/warranty](http://www.luciferlighting.com/warranty)

[08102022]  
3750 North PanAm Expressway  
San Antonio, TX 78219 USA  
[PH] +1 210 227 7329  
[FAX] +1 210 227 4967  
[www.luciferlighting.com](http://www.luciferlighting.com)

**LUCIFER**<sup>®</sup>  
LIGHTING COMPANY  
©2022 Lucifer Lighting Company  
As part of its policy of continuous research  
and product development, the Company  
reserves the right to change or withdraw  
specifications without prior notice.