

PUKLED LUMINAIRE

SEMI-RECESSED

INSTALLATION

Before beginning any PUKLED installation, disconnect electrical power at main switch or circuit breaker.

A. CAUTION

To reduce the risk of fire, electric shock, and potential damage to recessed housing assembly when electrical power is re-connected, DO NOT ATTEMPT TO CONNECT the following on branch circuit serving recessed downlight assembly:

- Motors
- Power tools
- Extension cords
- Appliances or similar electronics

Fixtures to be mounted in conditions where ambient temperatures do not exceed 40°C.

Ensure AC input voltage is protected against surges & load shifts prior to power supply input.

B. SAFETY INSTRUCTIONS

1. Read installation instructions completely before attempting installation.
2. Failure to follow instructions may result in improper installation and void warranty.
3. Contact Lucifer Lighting Company with any questions or concerns before beginning any installation.
4. Ensure qualified electrician will perform all electrical procedures.
5. Disconnect electrical power circuit before attempting to install pathlight, or if adding to or changing configuration PUKLED assembly.
6. CAUTION: When fixture is on for long periods the PUKLED surface will be hot. Take care when making adjustments.

SAFETY WARNING

This product must be installed in accordance with applicable electrical and installation codes by a person familiar with the construction and operation of the product and the hazards involved. "CAUTION- RISK OF FIRE"

Ce produit doit être installé selon le code d'installation pertinent, par une personne qui connaît bien le produit et son fonctionnement ainsi Que les risques inhérents "ATTENTION-RISQUED'INCENDIE"

C. DESCRIPTION

Small-scale LED puk luminaire ideal for under-cabinet, under-shelf, display and task lighting. Its efficient, dimmable 12V AC LED source is available in 2700K, 3000K, 4000K and 5000K color temperatures. The machined aluminum body features concealed fasteners and accommodates semi-recessed installation.

D. MOUNTING

LPK-1 / LPK-2 / LPK-3:

LPK-1 features diffusing frosted lens. LPK-2 Wet location fixtures include sealed diffusing frosted lens.

LPK-3 in-grade Well-light fixtures include sealed impact resistant clear polycarbonate lens (section D.1, page 2).

PLA-2G-BB:

PLA-2G-BB back box assembly included with LPK-3 Well-light fixtures and recommended for LPK-2 Wet location fixtures (section D.2, page 3).

D.1 LPK-1 / LPK-2 / LPK-3

NOTE: Remove face plate cover from LED before installing.

STEP 1

Make a 1.7" (43.2mm) hole cut-out into substrate.

STEP 2

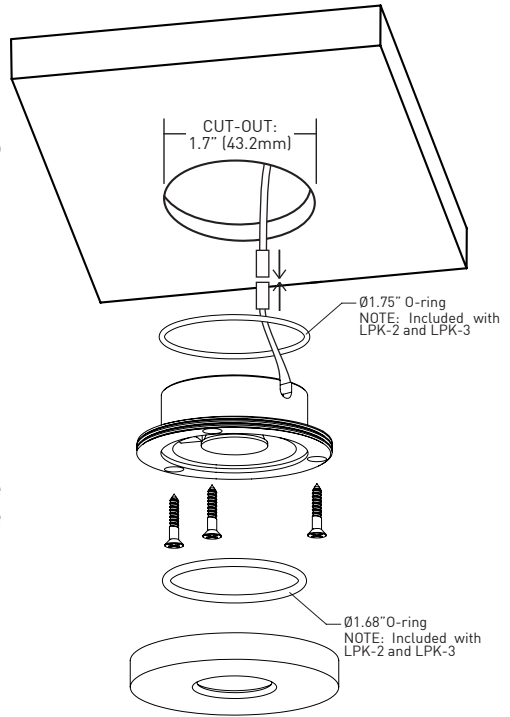
Connect fixture to power supply.

STEP 3

Insert fixture into cut-out without face plate cover on fixture. Use provide screws to attach fixture to substrate.

STEP 4

Attach face plate cover to fixture.



NOTE: To remove fixture reverse steps 2 - 4.

Please refer to section E, page 4 of this install guide for wiring, mounting, and removing instructions.

D.2 PLA-2G-BB

NOTE: Remove face plate cover and LED from PLA-2G-BB before installing.

STEP 1

Make a 2.26" (57.4mm) hole cut-out into substrate.

STEP 2

Insert PLA-2G-BB into cut-out, using provided screws to secure to support behind substrate.

STEP 3

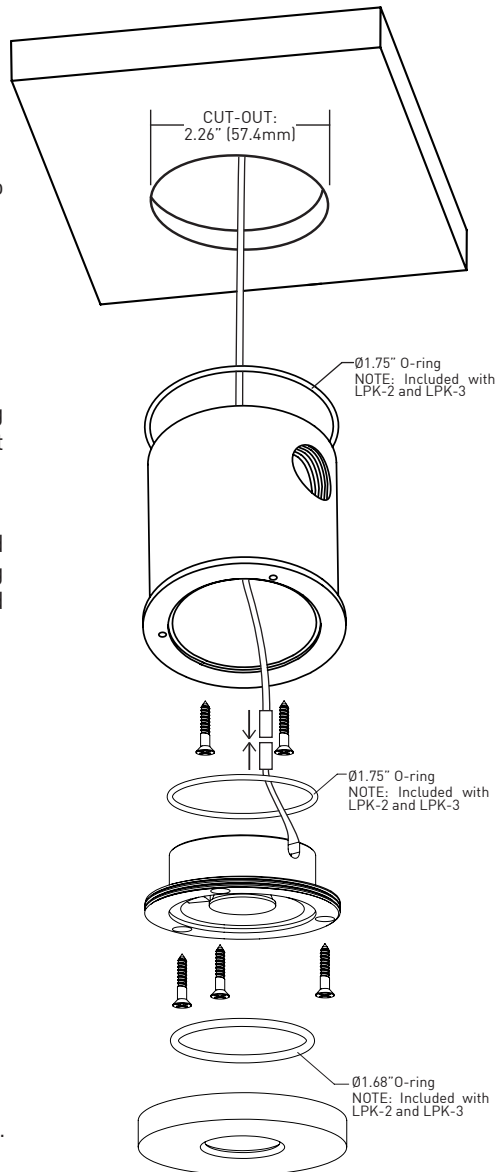
Connect fixture to power supply and insert LPK-2 or LPK-3 while aligning holes for screws. Use screws provided to attach LED to PLA-2G-BB.

STEP 4

Attach face plate cover to fixture.

NOTE: To remove fixture reverse steps 2 - 4.

Please refer to section E, page 4 of this install guide for wiring, mounting, and removing instructions.



E. WIRING & PATHLIGHTS MOUNTING

STEP 1

Securely mount the power supply in a readily accessible location.

STEP 2

Attach wiring from line / mains source as indicated with suitable wire-nuts or similar connectors.

Black Wire - Line
White - Neutral
Green - Ground

STEP 3

Then wiring in parallel using the "homerun" (Fig. 1) or "daisy-chain" (Fig. 2) methods to connect fixture(s) to the power supply.

NOTE: Do not wire in series, performance would be affected negatively.

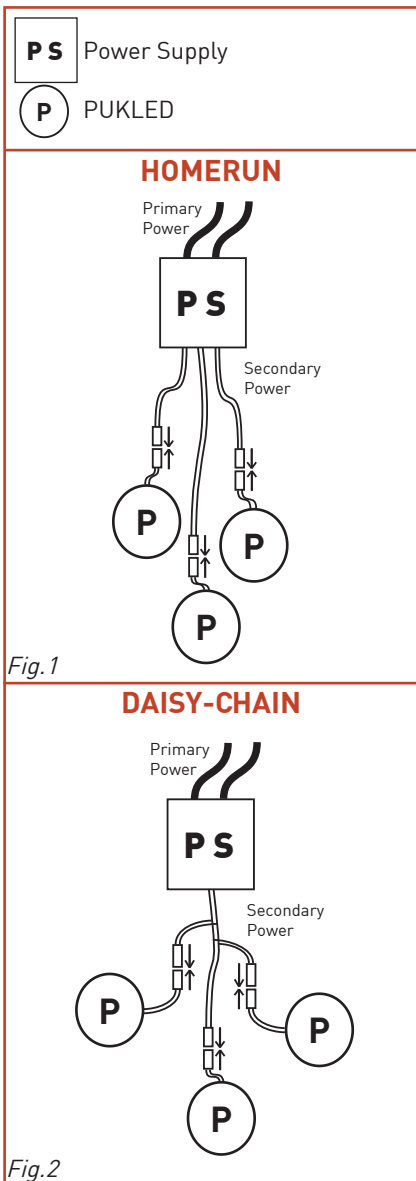


Fig.1

Fig.2

Note: Max 40ft on the secondary power.

F. PS-RMT REMOTE POWER SUPPLY

Determine preferred mounting location, verifying fixture falls within allowable wire capacity distance from selected power supply.

Run suitably sized two-pair wire between remote driver and housing or remodel fixture location, following installation guidelines for terminating, as applies.

Note: Secondary wiring is polarized (+ / -) and must be terminated correctly at both ends for proper operation. It is recommended to use Red (+) and Black (-) wires to avoid confusion. Additionally, a ground wire should not accompany secondary run wires.

Failure to use the appropriate gauge wire for the run length required and to ensure proper polarity is observed will cause damage to the unit and void the warranty.

Access splice compartment by removing retaining screws, then tilting cover slightly back and away from base (Fig.1).

Mount transformer back plate assembly to suitable substrate using customer supplied screws (Fig.2).

Insert line voltage wiring/conduit into line side of splice compartment and secondary voltage wiring/conduit into secondary side of splice compartment utilizing appropriate strain relief or connector (Fig.3).

Note: Consult wiring diagrams on page 11, in accordance with the applicable driver.

Join structured building wires to corresponding driver wires with suitable customer supplied wire connecting device, ensuring proper polarity is observed with secondary wires.

Push all wires and wire connections into splice compartment and reinstall splice compartment cover by aligning tab and slot, ensuring no wires are pinched by cover, installing retaining screws (Fig.3).

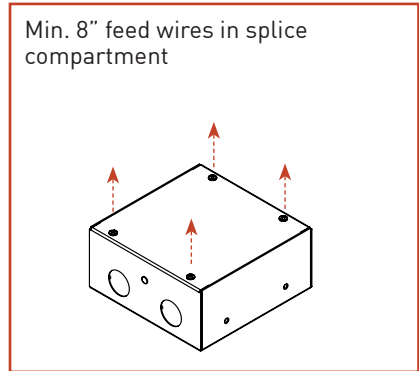


Fig.1

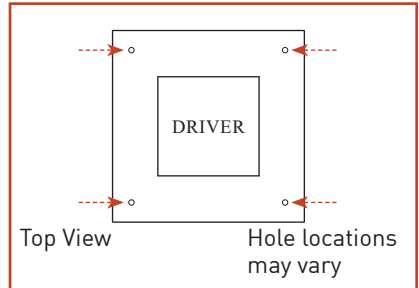


Fig.2

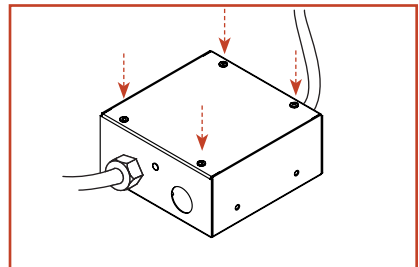
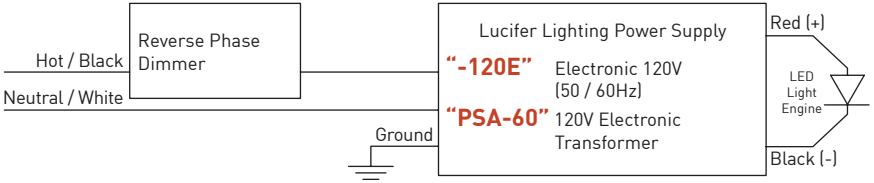
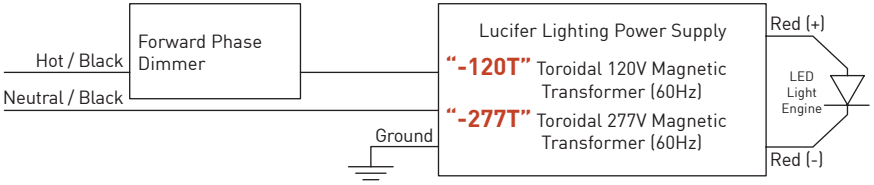


Fig.3

H. REMOTE DRIVER WIRING DETAIL



LIMITED WARRANTY

LUCIFER LIGHTING COMPANY (Seller) warrants that for a period of one (1) year from date of sale to the first non-retail purchaser, Seller will repair or replace, at the Seller's sole option, free of charge, any defective products purchased from Seller provided that prior authorization is obtained from the Seller and the products are sent prepaid to the Seller's manufacturing facility. Lamps are not warranted or guaranteed in any manner for any length of time, except LED lamp modules and power supplies used in Seller's recessed, surface mount and exterior lighting fixtures, are warranted to operate with 70% lumen maintenance from the date of sale by Seller for five (5) years. LED MR-16 style lamps supplied by Seller are only warranted as provided by their original maker. Please refer to the following limiting conditions.

1. The Citizen, Bridgelux, Xicato, Sharp and Lumenetix LED lamp modules provided by Seller are only suitable for use in ceiling or plenum conditions where the maximum operating temperature of the module does not exceed 90°C (194°F) and/or the ambient temperature does not exceed 40°C (104°F) or lower threshold as featured on Seller's product specification literature.
2. These terms only cover the power supply (if purchased from Seller) and Citizen, Bridgelux, Xicato, Sharp, and Lumenetix LED modules.
3. If installed outdoors, the power supply must always be shielded from direct sunlight. The power supply cannot be installed in areas where liquids may pool.
4. The end user must ensure that the AC input voltage has measures in place to prevent lightning strike surges and that large load shift surges are reduced or eliminated prior to the input of the power supply. Power supplies returned with this type of damage are not covered under Seller's Limited Warranty.
5. Seller reserves the right to physically evaluate the LED module and driver supplied by Seller for compliance with these conditions. An end user's refusal to return such fixture articles shall void Seller's Limited Warranty.
6. The LED module will be considered in working condition and therefore not warrantable if it meets or exceeds 70% of its original flux and remains within a range of 3 duv.
7. The color temperature of the Citizen, Bridgelux, Xicato, Sharp and Lumenetix LED module is guaranteed to remain within a range of 3 duv for a period of five (5) years from date of sale by Seller.
8. Any tampering or disassembly of the LED module or LED heat-sink assembly without Seller's prior written consent will immediately void the warranty.

Where Seller's fixtures are used in conjunction with drivers/power supplies sourced by others and/or where POE (power over ethernet) systems are present, Seller's warranty will only apply to the Seller supplied lighting fixtures. In all instances where drivers/power supplies and/or POE are by others, the responsibility to confirm the selected power supply(s) conforms to operating parameters of Seller's fixtures shall be the responsibility of others. Approved parameters (involving voltage, current, and power quality for the selected fixtures and outputs) will be provided by Seller upon request, however the parameters should not be considered exhaustive for the purpose of the warranty and represents a good faith effort by Seller to support its customers. All warranty claims are subject to Seller's review and if Seller determines the root cause of the issue involves supplied power supply(s) by others, Seller's warranty shall not be applicable. Further, in such events of supplied power supply(s) by others, Seller makes no guarantee as to fixture operating performance (startup time, flicker, shimmer, pop-on/pop-off, dimming, etc.). In no event shall Seller's obligations under this warranty extend beyond the initial cost of the products and, accordingly, consequential damages arising out of any claimed product defect are expressly excluded. This Warranty does not cover the costs, if any, in re-installation of products serviced under this Warranty. This Warranty does not cover damage or failure caused by acts of God, abuse, misuse, abnormal usage, or use in violation of any applicable standard, code or instructions for use in installations including those contained in the latest National Electrical Code (NEC), the standards for safety of Underwriters Laboratory, Inc. (UL), standards for the American National Standards Institute (ANSI) or, in Canada, the Canadian Standards Association (CSA), or, in the European Union, the Conformance Européenne (CE Marking), faulty installation, or any repairs or modifications other than those made by the Seller. This Warranty does not cover damage or failure caused by abnormal spikes in power, dirty power, and light fixtures used with power supplies or other products not supplied by Seller, nor shall it apply to defects for which written notice thereof is not received by Seller.

In the event that any of the terms of this Warranty are in conflict with any rule of law or statutory provision or otherwise unenforceable under the laws or regulations of any government or subdivision thereof, such terms shall be deemed stricken from this Warranty, but such invalidity or unenforceability shall not invalidate any of the other terms of this Warranty and this Warranty shall continue in force.

EXCEPT AS TO SELLER'S WARRANTY OF REPAIR OR REPLACEMENT SET FORTH ABOVE, THERE ARE NO UNDERSTANDINGS, AGREEMENTS, REPRESENTATIONS, OR WARRANTIES, EXPRESS OR IMPLIED (INCLUDING ANY REGARDING THE MERCHANTABILITY OR FITNESS FOR A PARTICULAR PURPOSE, AND NON-INFRINGEMENT, AND ANY WARRANTIES ARISING FROM A COURSE OF DEALING, USAGE, OR TRADE PRACTICE), RESPECTING LUCIFER LIGHTING COMPANY PRODUCTS. THIS WARRANTY IS THE PURCHASER'S SOLE AND EXCLUSIVE REMEDY AGAINST THE SELLER FOR THE REPAIR OR REPLACEMENT AT SELLER'S OPTION OF DEFECTIVE LUCIFER LIGHTING PRODUCTS. UNDER NO CIRCUMSTANCES SHALL SELLER BE LIABLE FOR ANY LOSS OR DAMAGE, DIRECT OR CONSEQUENTIAL, ARISING OUT OF THE USE OF, OR INABILITY TO USE, THE PRODUCTS SOLD HEREUNDER.

For service under this warranty, please provide the original date of sale and nature of difficulty being experienced. All service matters should be directed to:

[03082021]

3750 North PanAm Expressway

San Antonio, TX 78219 USA

[PH] +1 210 227 7329

[FAX] +1 210 227 4967

www.luciferlighting.com

LUCIFER
LIGHTING COMPANY

©2021 Lucifer Lighting Company

As part of its policy of continuous research and product development, the Company reserves the right to change or withdraw specifications without prior notice.