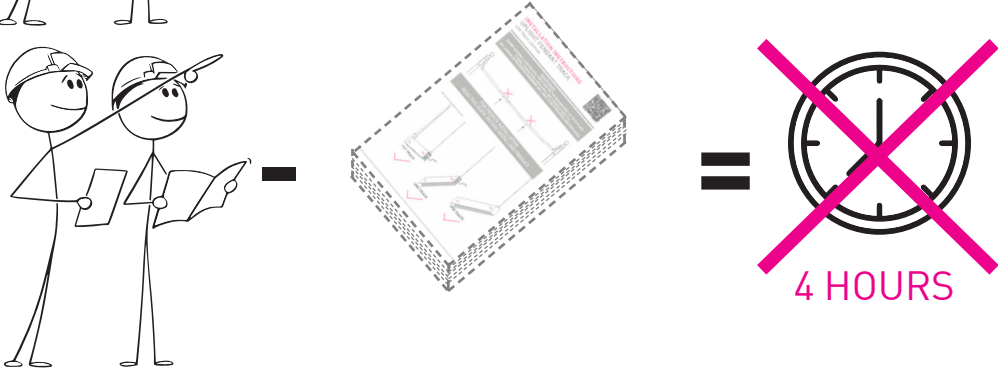
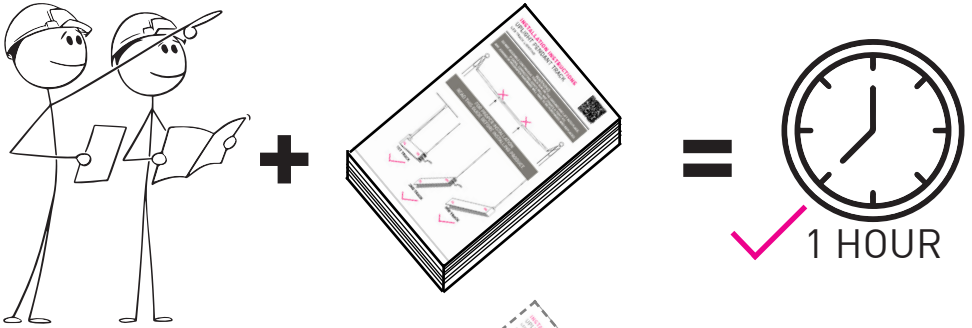


# INSTALLATION INSTRUCTIONS UPLIGHT PENDANT TRACK

LED TRACK LIGHTING



**FOLLOWING THIS GUIDE WILL SAVE TIME AND MONEY!**



**FOLLOW ALL STEPS IN ORDER**

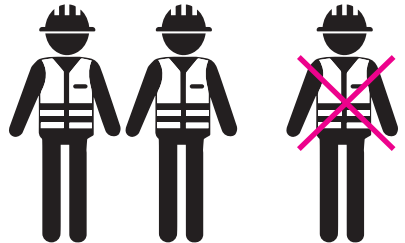
STEP STEP STEP STEP

✓ 1 → 2 → 3 → 4

✗ STEP STEP STEP STEP

1 → 8 → 15 → 6

**USE 2 ASSEMBLERS**

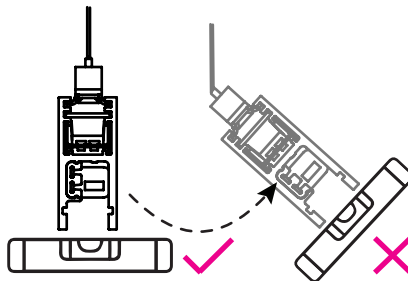
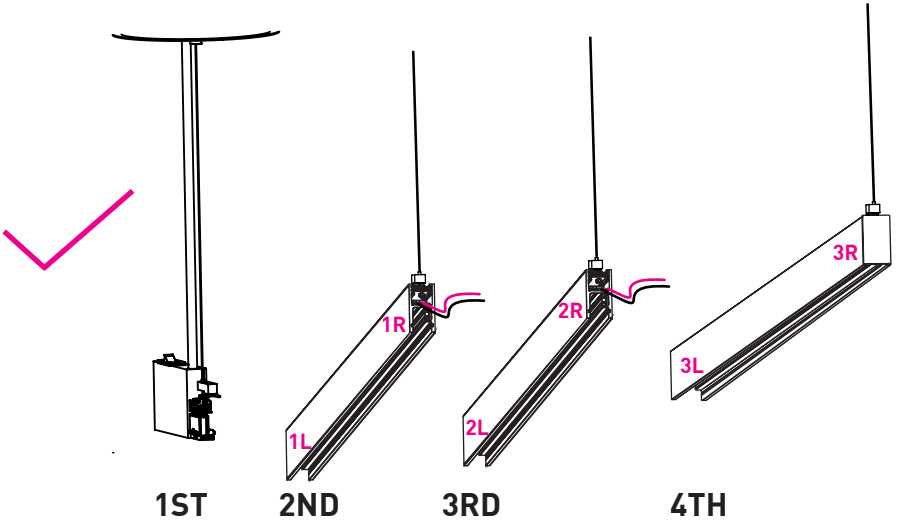
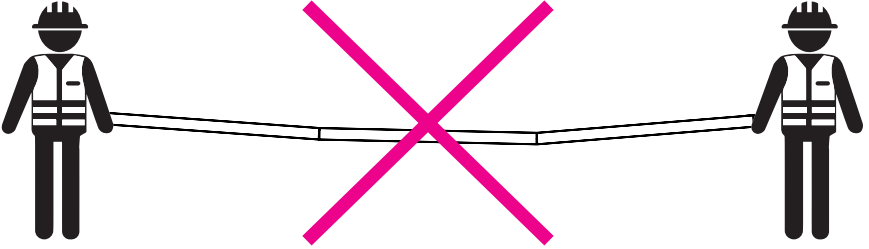


# SAFETY INFORMATION

WARNING:

DO **NOT** ASSEMBLE CONTINUOUS TRACK RUN ON THE GROUND AND LIFT INTO PLACE.

IF DONE, CONNECTING JOINTS WILL **NOT** CREATE A TIGHT FIT. ANY JOINING OR MISSHAPEN HARDWARE WILL HAVE TO BE PURCHASED AND REPLACED.



DO NOT TILT TRACK WHILE INSTALLING

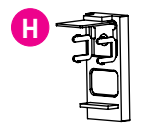
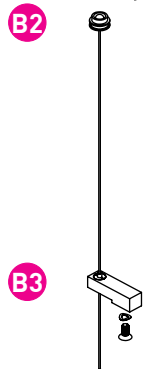
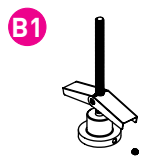
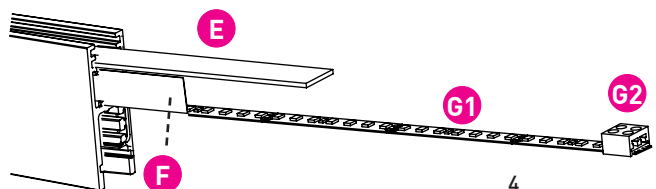
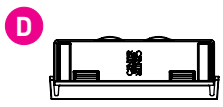
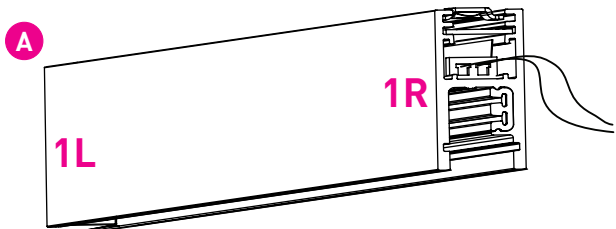
# INSTALLATION CONTENTS

---

Safety Warnings .....	1-2
Parts Overview.....	4-5
A.) Power Feed Cable Adjustment.....	6-7
B.) Mounting & Mechanical Drop Installation .....	8-9
C.) Cutting Track, LED Board, and Reflector .....	10-11
D.) Track Suspension & Power Feed Connection .....	12-13
E.) Connecting Track Sections .....	14-15
F.) Leveling and Adjustment .....	16
G.) Optional Mounting Accessories .....	17
H.) General Information .....	18-19

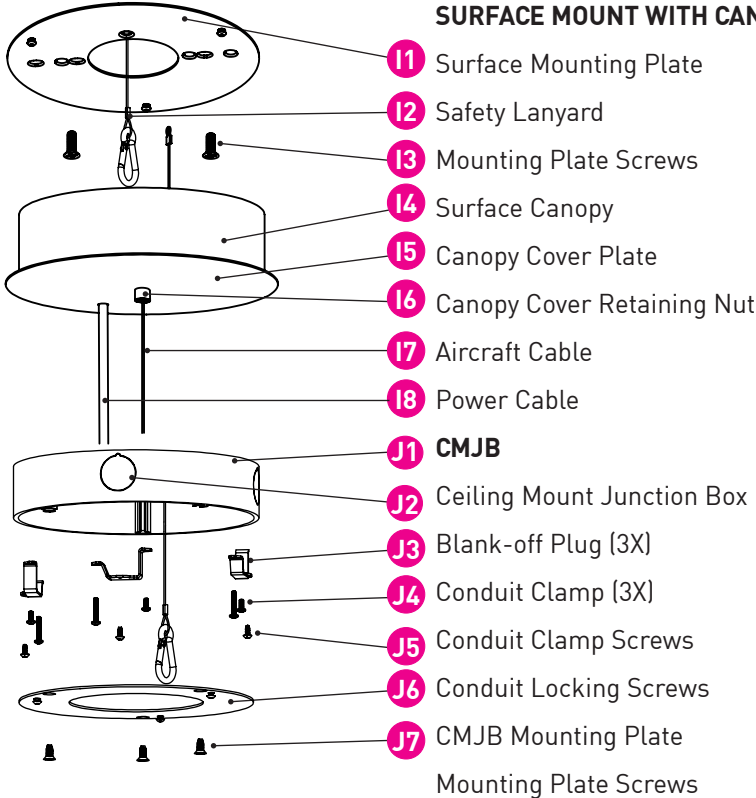
# PARTS OVERVIEW - TRACK

- A** Track - Ends Labeled Left (L) and Right (R) within instructions **ONLY**
- B1** Mechanical Drop Outer Retainer with Set Screw
- B2** Mechanical Drop Inner Retainer with Cable
- B3** Leveling Bracket with Cable Adjustment Lock
- B4** Fromex Patch (2)
- C** Connector Bracket
- D** Track Jumper
- E** Lens
- F** Reflector Tape
- G1** Adhesive LED Board
- G2** Connector Block
- H** End Cap

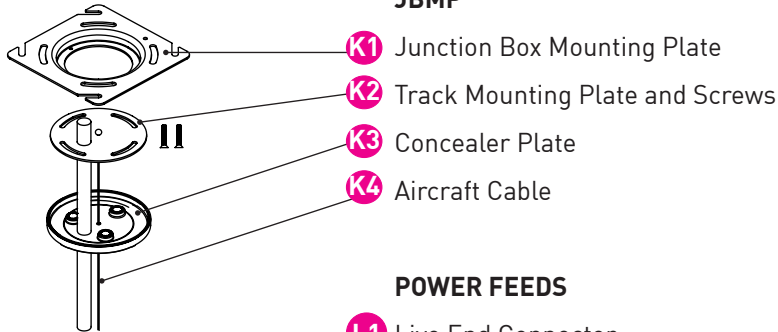


# PARTS OVERVIEW - MOUNTING OPTIONS & POWER FEED

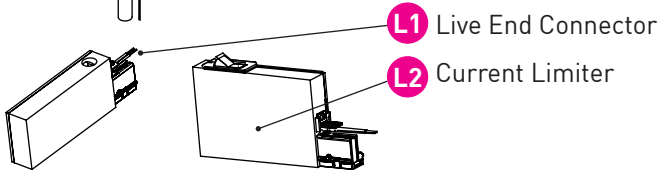
## SURFACE MOUNT WITH CANOPY



## JBMP



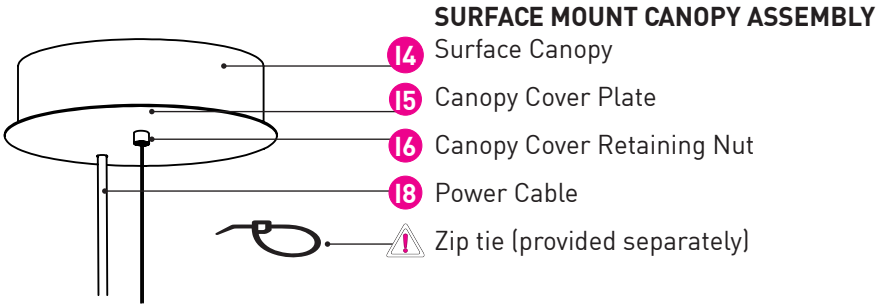
## POWER FEEDS



# A. POWER FEED CABLE ADJUSTMENT OVERVIEW

---

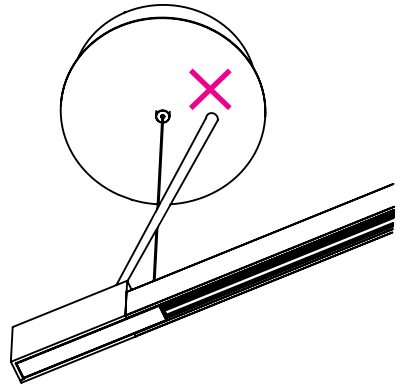
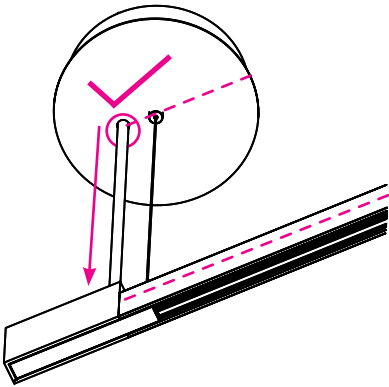
## PARTS REQUIRED



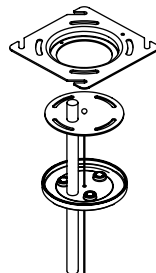
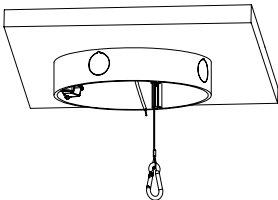
---

## INSTALLATION NOTES

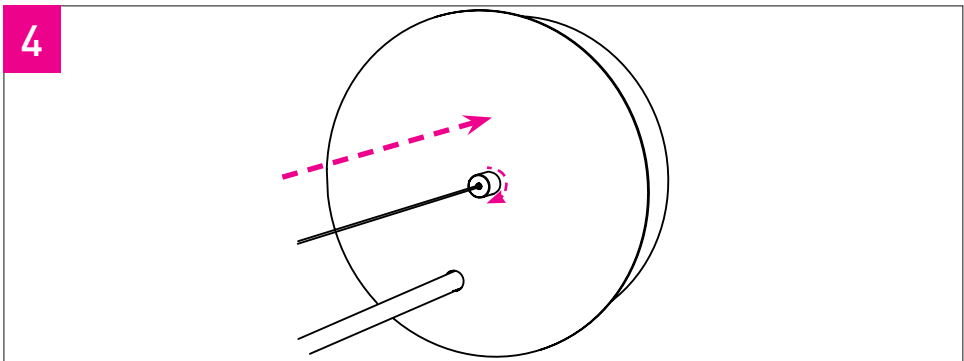
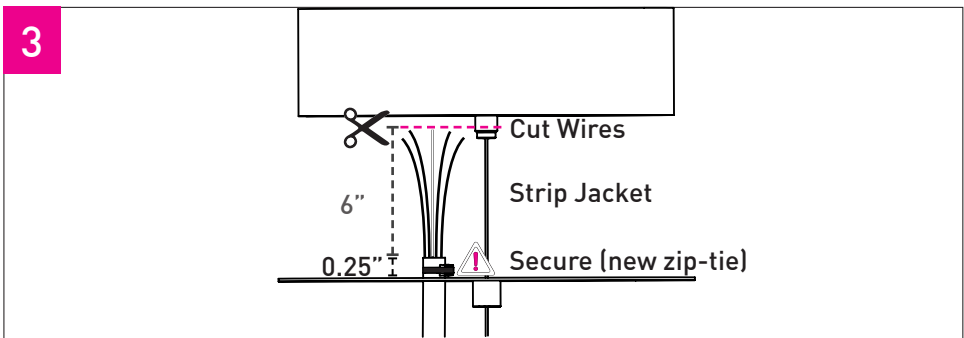
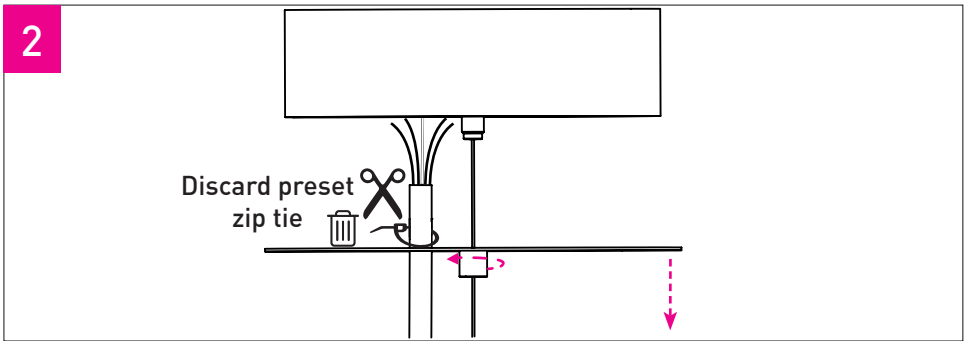
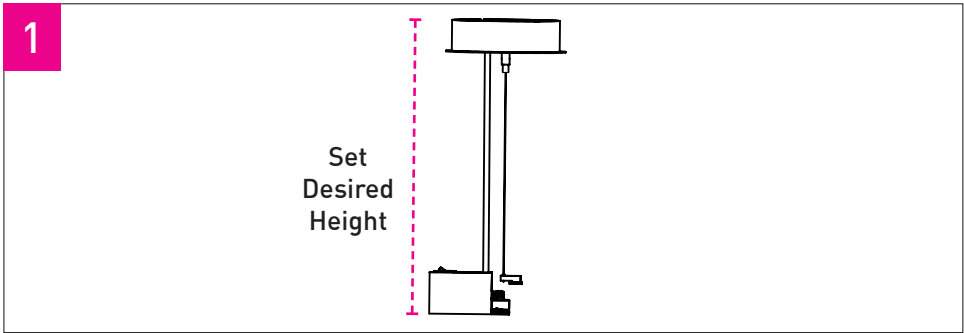
- Cable adjustment instructions apply to all mounting options
- Correct Power Feed Orientation: Behind aircraft cable and aligned with track.



## OPTIONAL MOUNTING ACCESSORIES ON PAGE 17



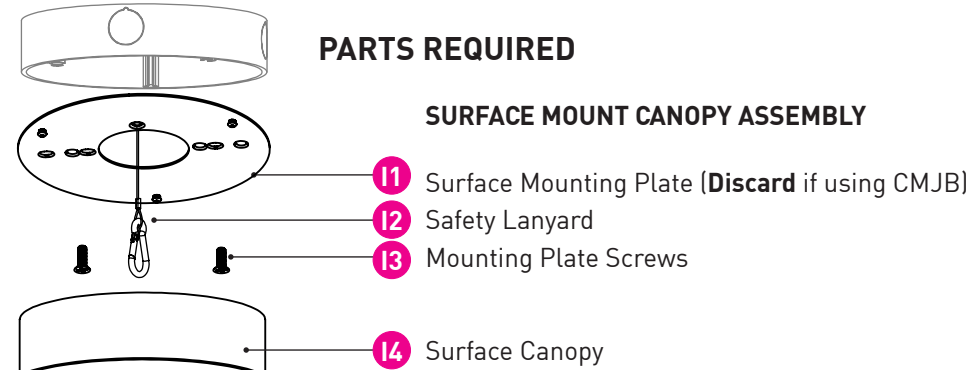
# A. POWER FEED CABLE ADJUSTMENT



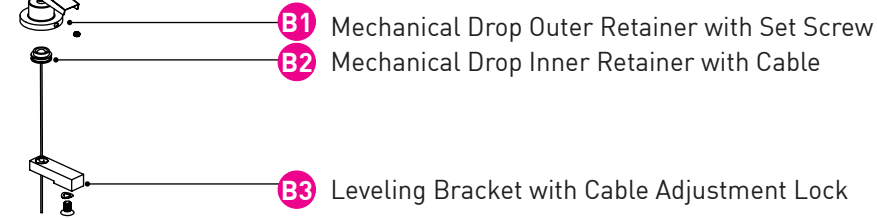
# B. MOUNTING & MECHANICAL DROP INSTALLATION OVERVIEW

## PARTS REQUIRED

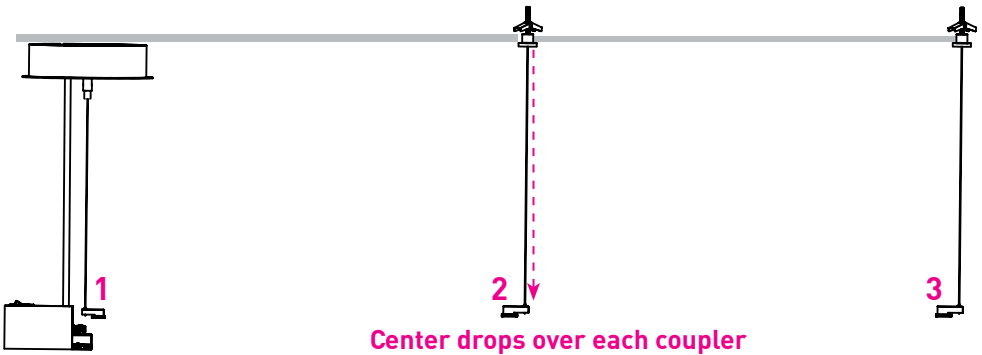
### SURFACE MOUNT CANOPY ASSEMBLY



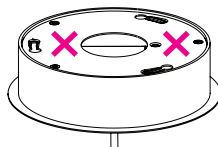
### MECHANICAL DROPS



## INSTALLATION NOTES

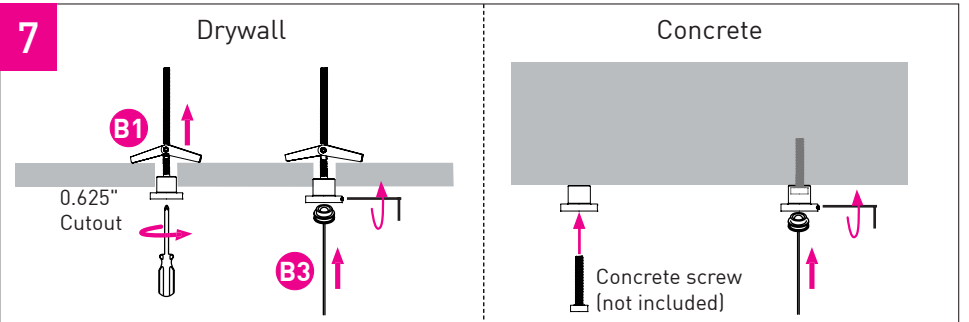
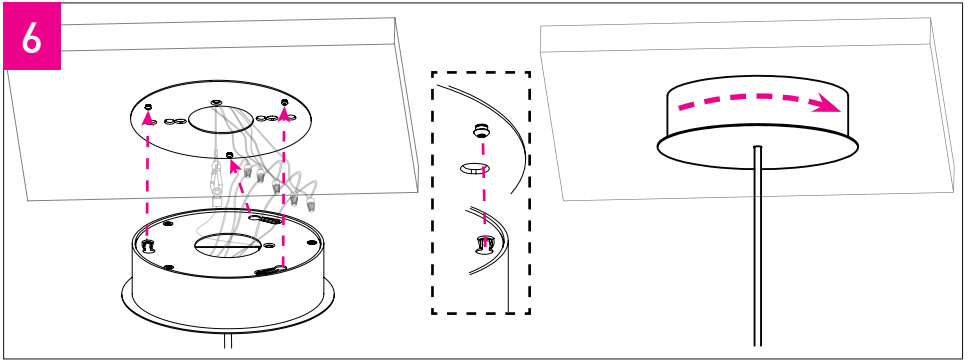
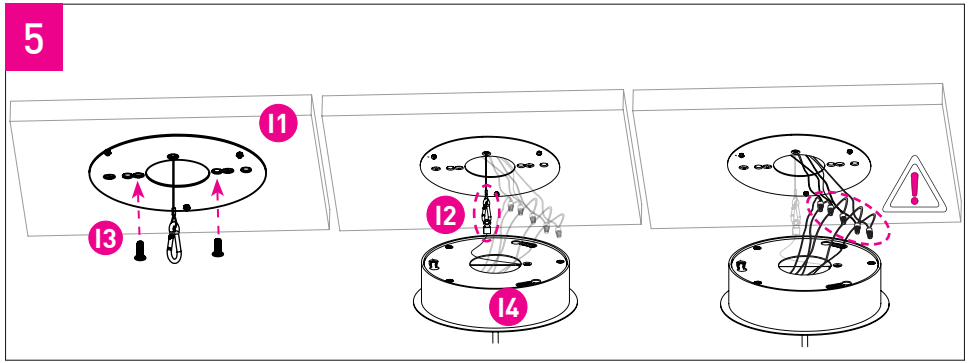


**LEAVE CANOPY TOP IN TACT - DO NOT DISASSEMBLE**

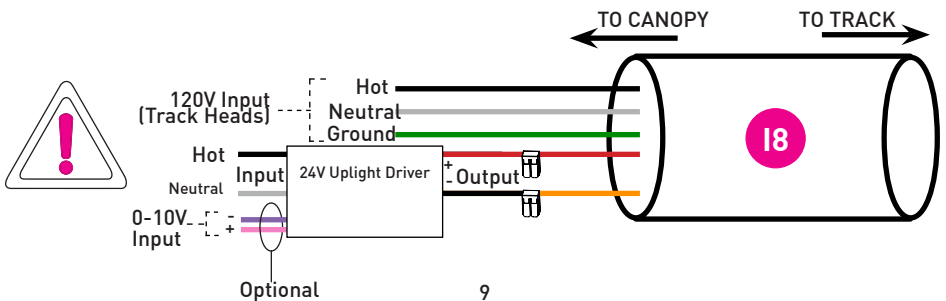




# B. MOUNTING AND MECHANICAL DROP INSTALLATION

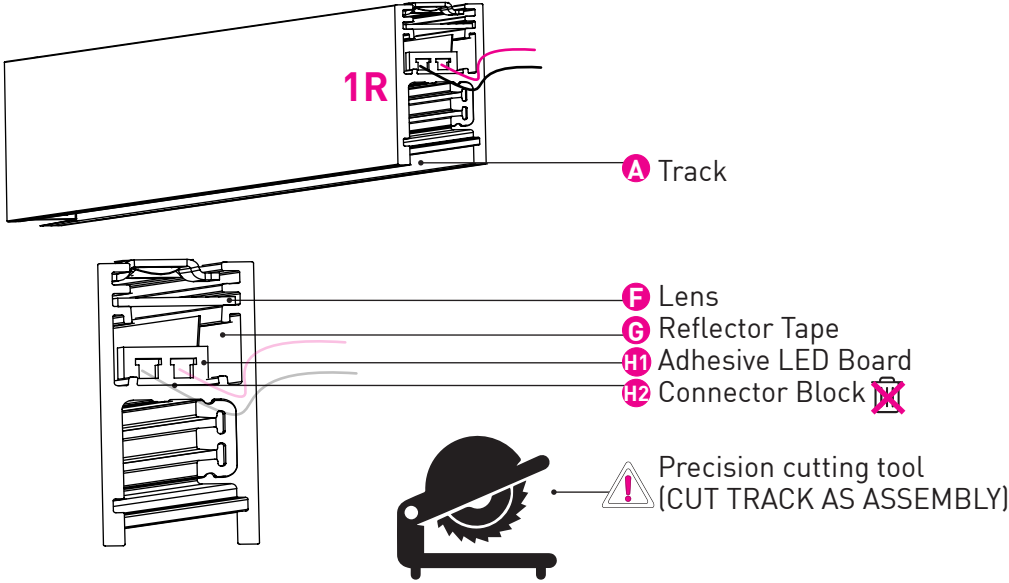


**SEE PAGE 18 FOR OPTIONAL DRIVER WIRING DIAGRAMS**



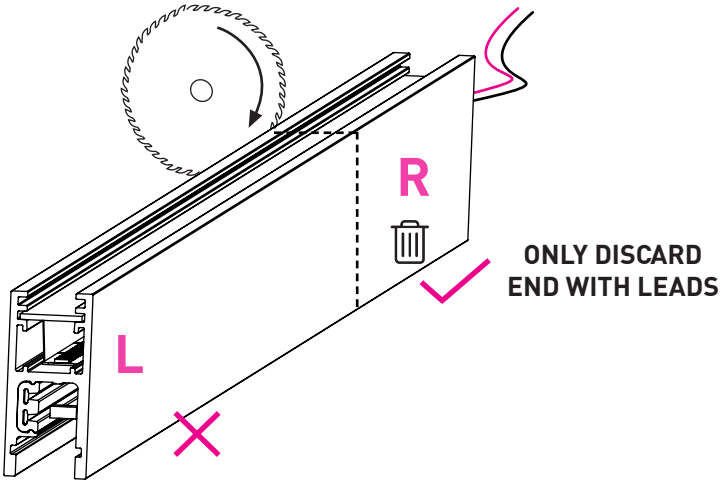
# C. CUTTING TRACK, LED TAPE, AND REFLECTOR OVERVIEW

## PARTS REQUIRED

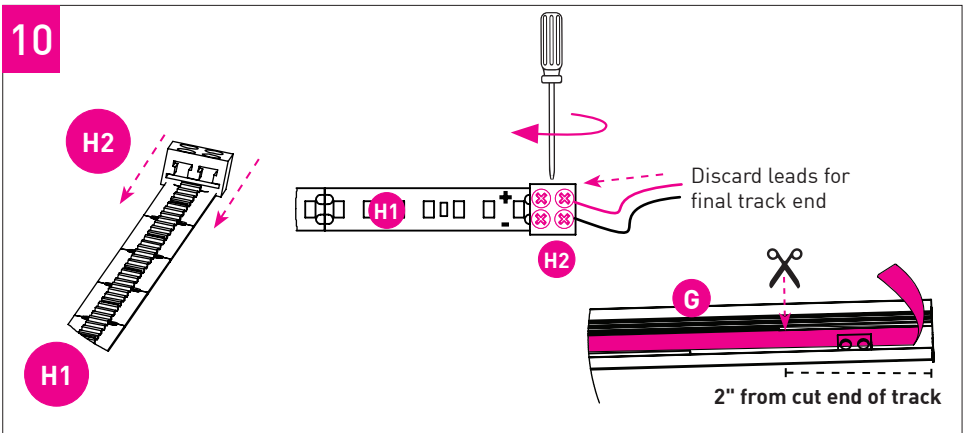
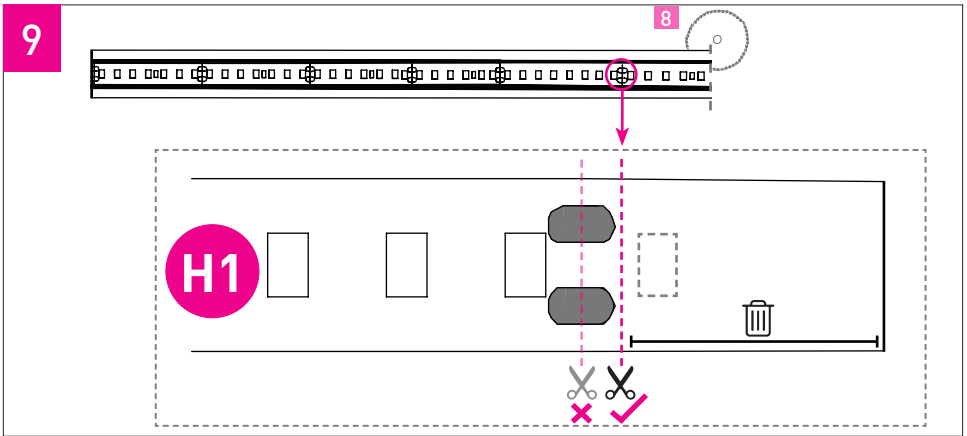
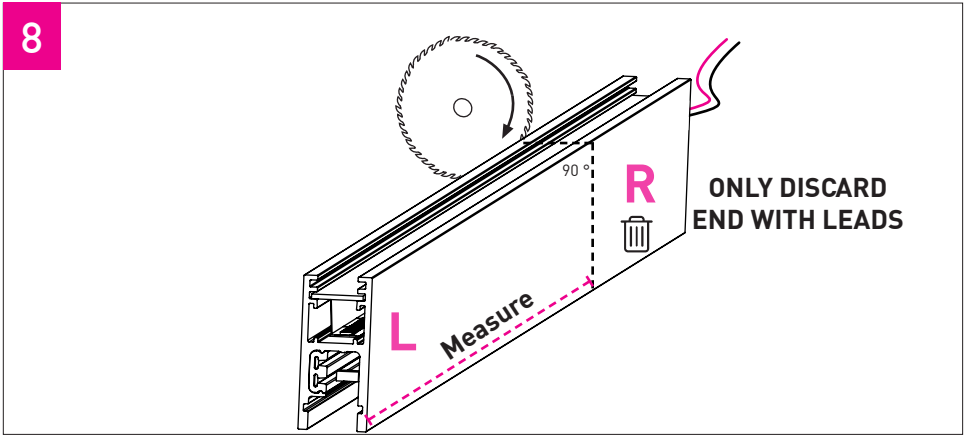


## INSTALLATION NOTES

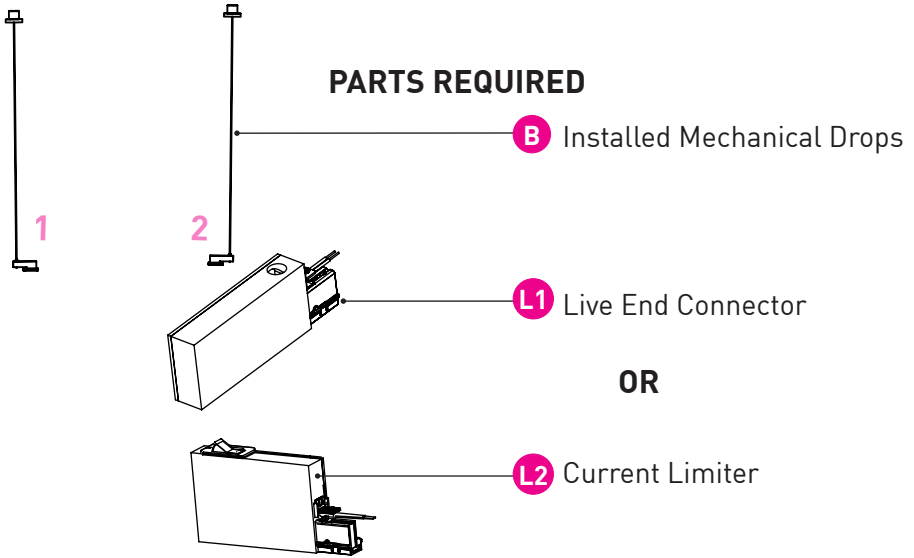
SKIP STEPS 8-10 IF NOT CUTTING TRACK



# C. CUTTING TRACK, LED TAPE, AND REFLECTOR

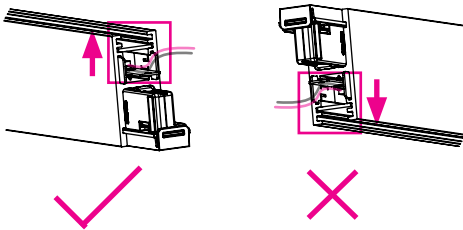


# D. TRACK SUSPENSION AND CONNECTION OVERVIEW

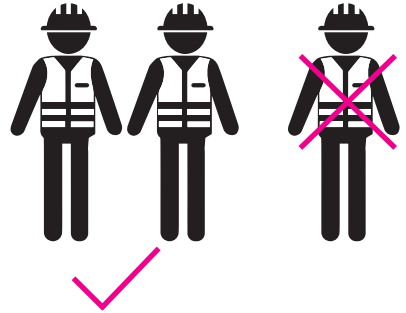


## INSTALLATION NOTES

**LED BOARD POINTS UP!**



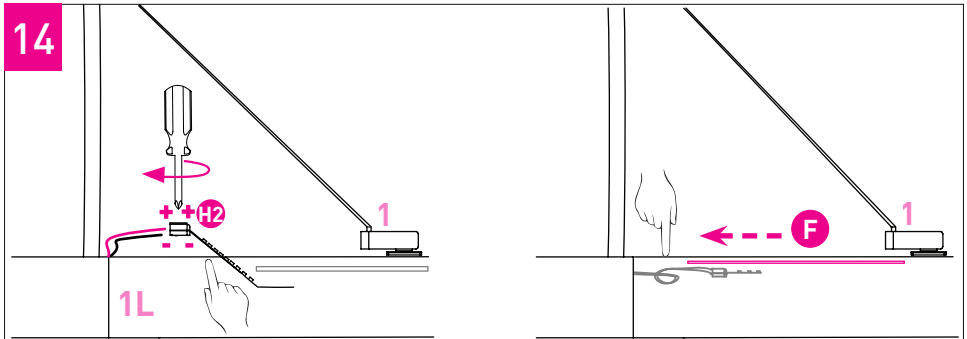
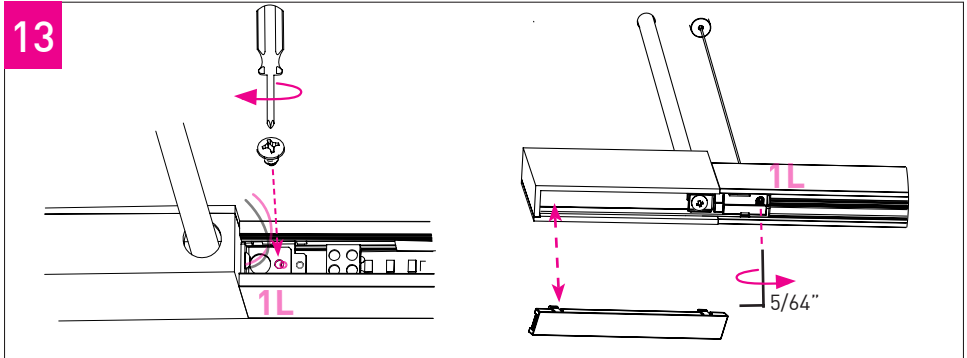
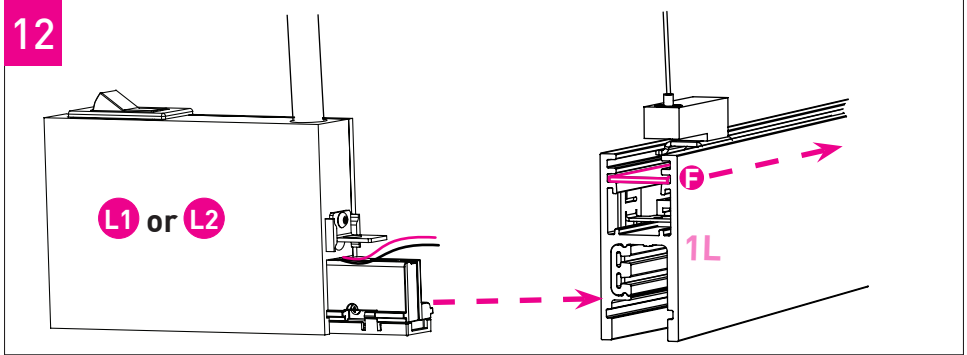
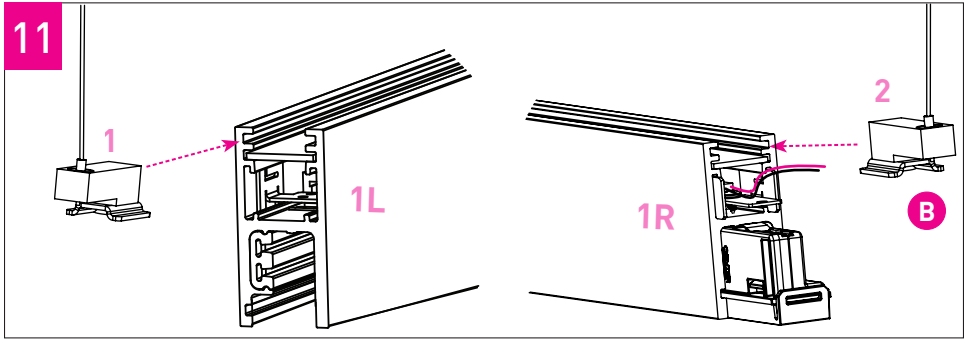
**USE TWO ASSEMBLERS**



**ALWAYS CHECK POLARITY!**



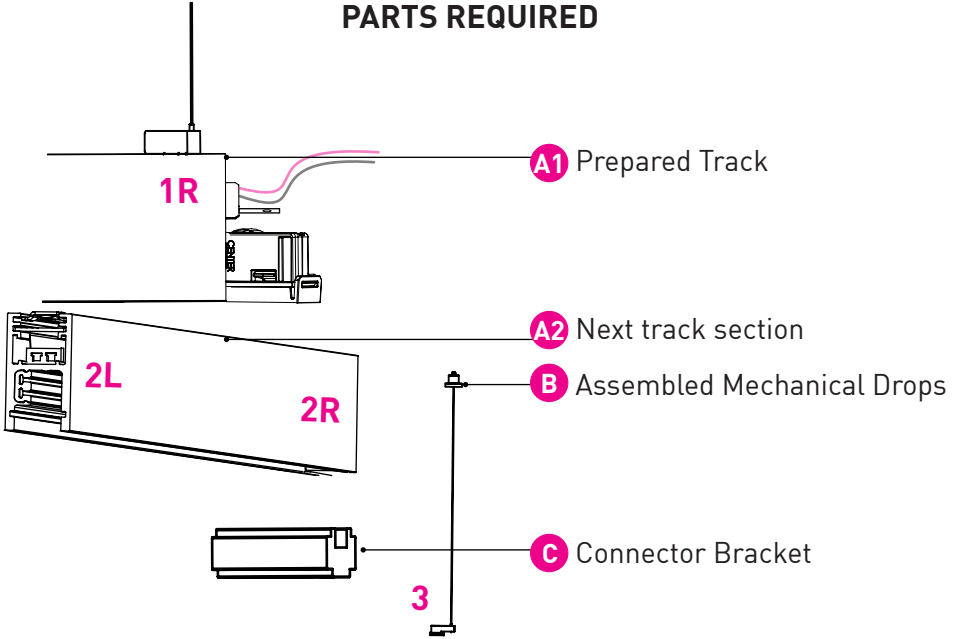
# D. TRACK SUSPENSION & POWER FEED CONNECTION



# E. CONNECTING TRACK SECTIONS

## OVERVIEW

### PARTS REQUIRED

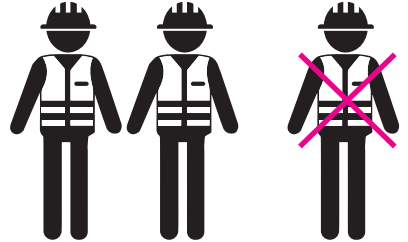


### INSTALLATION NOTES

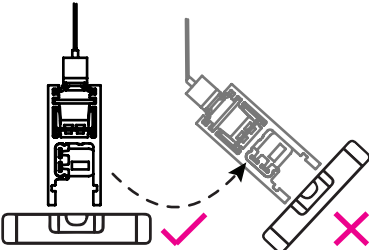
**ALWAYS CHECK POLARITY!**



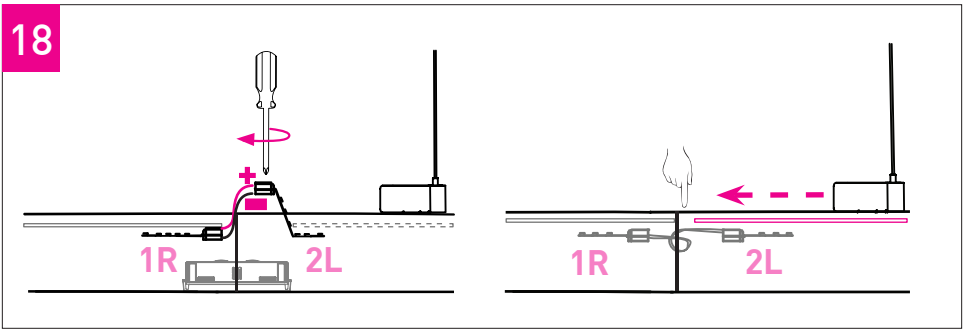
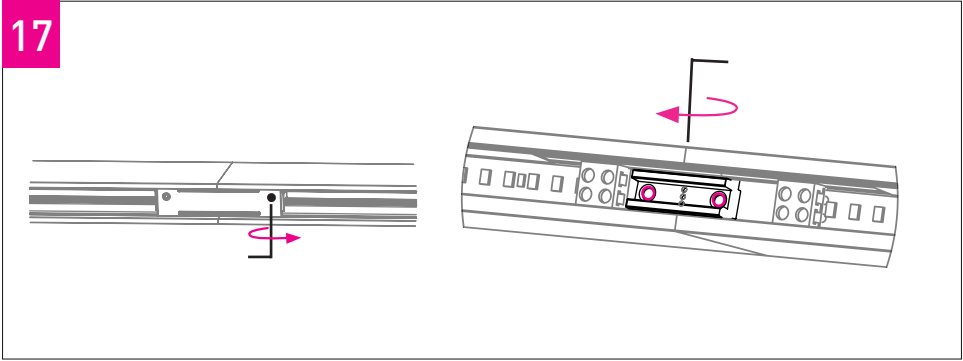
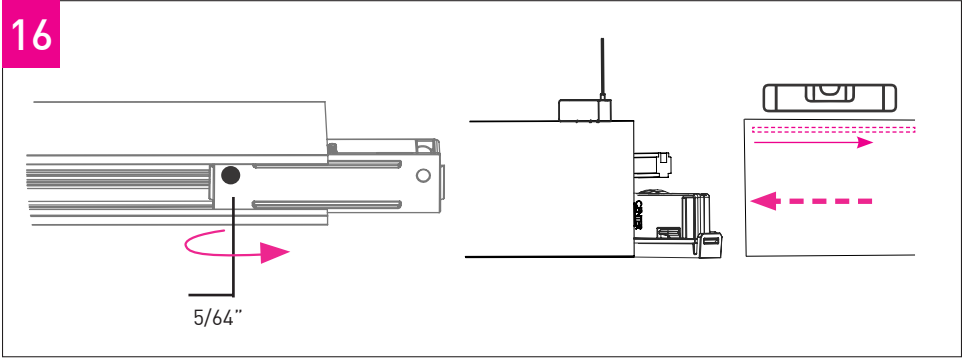
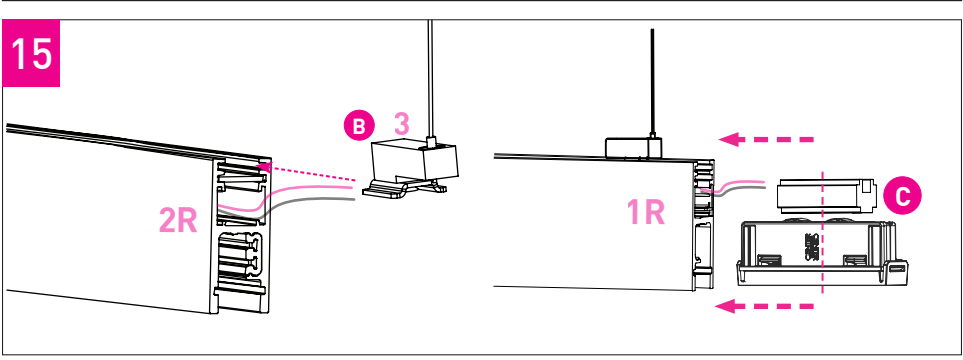
**USE TWO ASSEMBLERS**



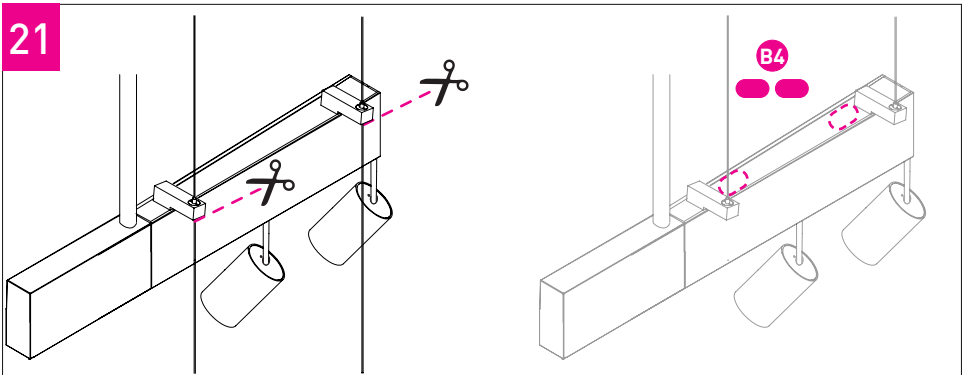
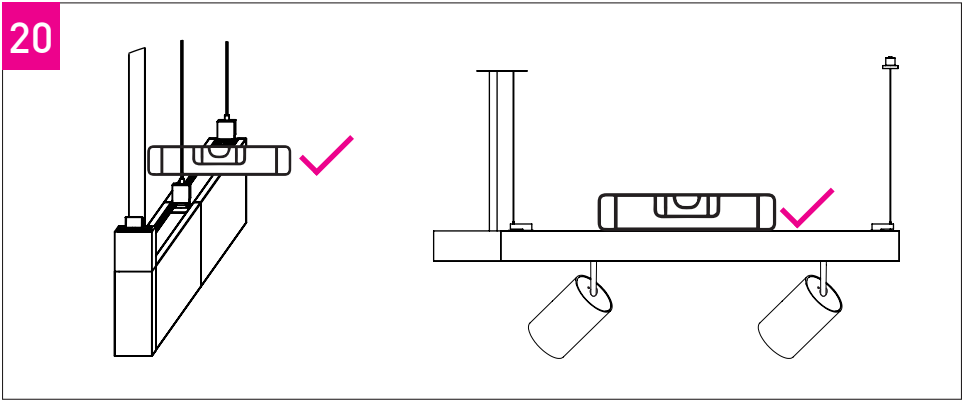
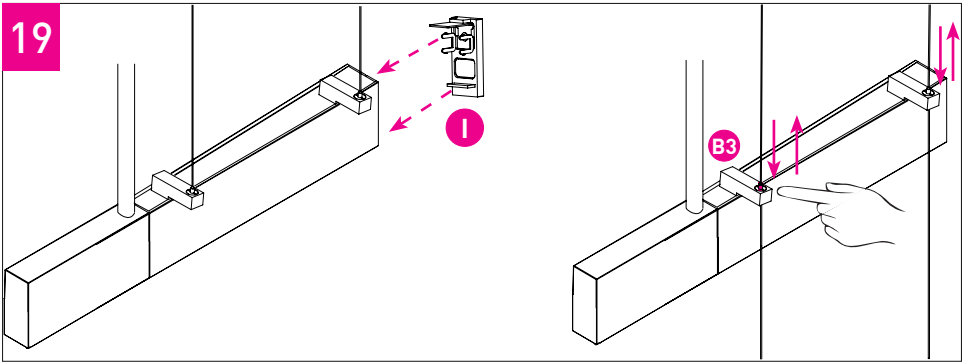
**DO NOT TILT SUSPENDED TRACK**



# E. CONNECTING TRACK SECTIONS



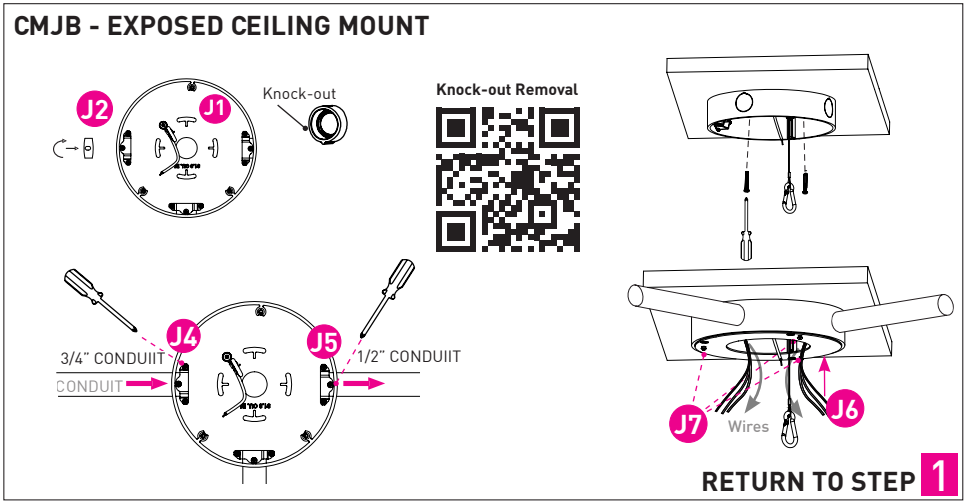
# F. LEVELING AND ADJUSTMENT





# G. OPTIONAL MOUNTING ACCESSORIES

## CMJB - EXPOSED CEILING MOUNT

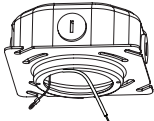


-OR-

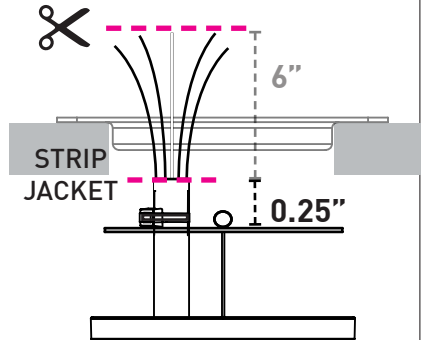
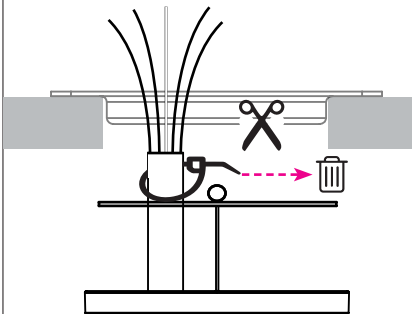
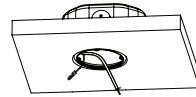
## JBMP (UPLIGHT REMOTE DRIVER - ORDERED SEPARATELY)

Secure junction box mounting plate to standard 4" octagon or square junction box **prior to ceiling installation.**

Make 2-3/4" (70mm) hole cutout.



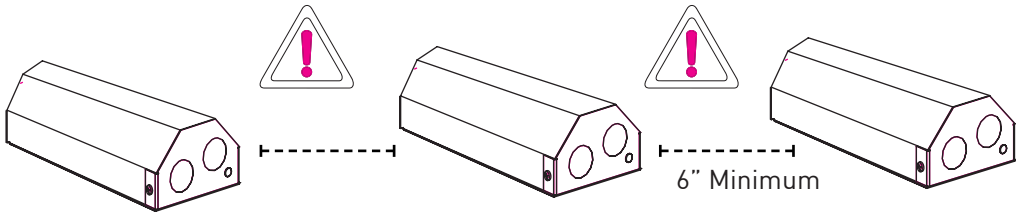
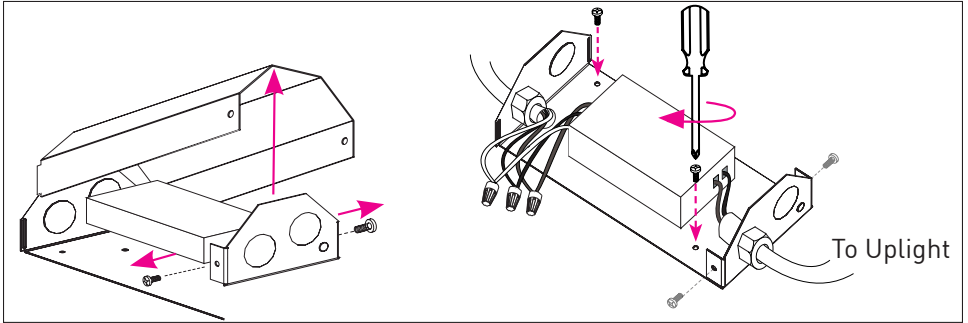
\*Junction box and screws supplied by others



RETURN TO STEP 5

# H. GENERAL INFORMATION

## REMOTE DRIVER INSTALLATION / SERVICING

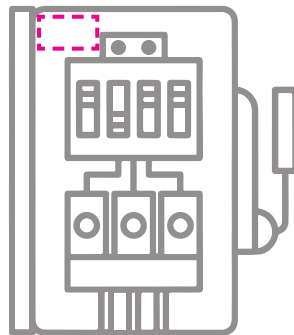


## TITLE 24 CURRENT LIMITER REQUIREMENT

NOTICE: CURRENT LIMITING DEVICES INSTALLED IN TRACK LIGHTING INTEGRAL CURRENT LIMITERS CONNECTED TO THIS PANEL SHALL ONLY BE REPLACED WITH THE SAME OR LOWER AMPERAGE. ADDING TRACK OR REPLACEMENT OF EXISTING CURRENT LIMITERS WITH HIGHER CONTINUOUS AMPERE RATING WILL VOID THE TRACK LIGHTING INTEGRAL CURRENT LIMITER CERTIFICATION, AND WILL REQUIRE RE-SUBMITTAL OF COMPLIANCE DOCUMENTATION TO THE ENFORCEMENT AGENCY RESPONSIBLE FOR COMPLIANCE WITH THE CALIFORNIA TITLE 24, PART 6 BUILDING ENERGY EFFICIENCY STANDARDS



Apply Label to Panel

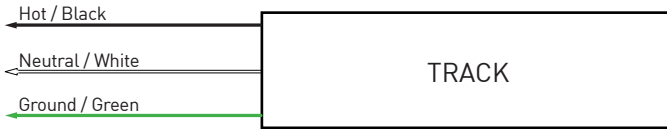


# H. GENERAL INFORMATION

## WARNING

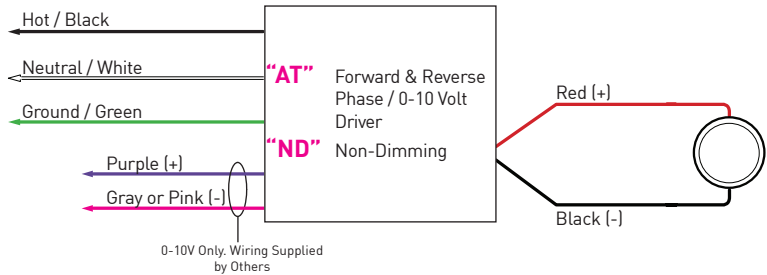
SYSTEM CONTAINS 120V TRACK AND LOW VOLTAGE 24 LED UPLIGHT. **IMPROPER WIRING CONNECTIONS WILL RESULT IN FAILURE OF LEDS.**

### TRACK WIRING DIAGRAM

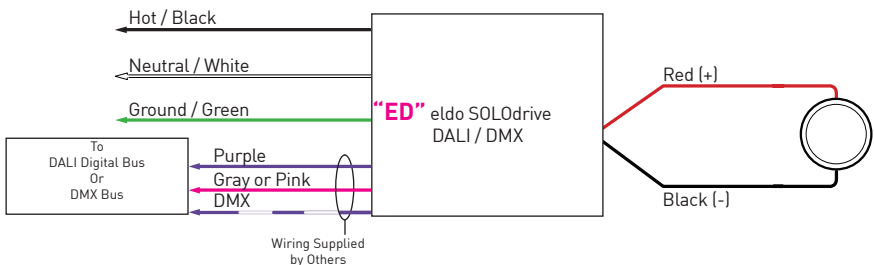


### UPLIGHT WIRING DIAGRAMS

#### WIRING DIAGRAM FOR PHASE, ANALOG, NON-DIMMING CONTROL



#### WIRING DIAGRAM FOR DIGITAL CONTROL



FOR FULL WARRANTY INFORMATION AND COMPREHENSIVE INSTALLATION GUIDE, PLEASE VISIT [WWW.LUCIFERLIGHTING.COM](http://WWW.LUCIFERLIGHTING.COM).

[DATE OF REV: 03212023]

[LIT-DOM-INST-TCU]

**LUCIFER**  
LIGHTING COMPANY

luciferlighting.com  
[PH] +1-210-227-7329  
[FAX] +1-210-227-4967

©2021 Lucifer Lighting Company  
As part of its policy of continuous research and product development, the company reserves the right to change or withdraw specifications without prior notice.

