

MONOPOINT SURFACE MOUNT

CM SERIES MONOPOINT LED

INSTALLATION

Before beginning any MONOPOINT installation, disconnect electrical power at main switch or circuit breaker.

A. CAUTION

To reduce the risk of fire, electric shock, and potential damage to monopoint fixture when electrical power is re-connected, DO NOT ATTEMPT TO CONNECT the following on branch circuit serving fixture assembly:

- Motors
- Power tools
- Extension cords
- Appliances or similar electronics

Fixtures to be mounted in conditions where ambient temperatures do not exceed 40°C.

Ensure AC input voltage is protected against surges & load shifts prior to power supply input.

B. SAFETY INSTRUCTIONS

1. Read installation instructions completely before attempting installation.
2. Failure to follow instructions may result in improper installation and void warranty.
3. Contact Lucifer Lighting Company with any questions or concerns before beginning any installation.
4. Ensure qualified electrician will perform all electrical procedures.
5. Disconnect electrical power circuit before attempting to install Monopoint, or if adding to or changing configuration Monopoint assembly.
6. CAUTION: When fixture is on for long periods the Monopoint surface will be hot. Take care when making adjustments.

This product must be installed in accordance with applicable electrical and installation codes by a person familiar with the construction and operation of the product and the hazards involved. "CAUTION- RISK OF FIRE"

C. DESCRIPTION

Surface mounted Monopoint with dimmable LED module and integral driver. Features standard 90° locking tilt and 365° locking rotation.

D. MOUNTING

Monopoints may be ceiling or wall mounted. Accommodates flat or sloped ceiling conditions.

CM-JBMP / CMHS-JBMP / CMWM-JBMP: "J" MOUNTING

Allows canopy to finish flush with minimalist transition to ceiling. Mounts to 4" square or octagon box during rough-in (section D.1, page 2).

DLA-APP-CM / DLA-APP-CM-2 / DLA-APP-CMHS: "G" MOUNTING

Applique permits canopy to recess into ceiling plane for zero-sightline appearance. Mounts to 4" octagon box (section D.2, page 3).

CM-CMJB: "C" MOUNTING

Proprietary ceiling mount j-box matching Monopoint 3.25" Ø canopy diameter. Accepts 1/2" and 3/4" EMT without the need of fittings for refined appearance (section D.3, page 5).

REMODEL: "R" MOUNTING

Mounting plate for existing installations featuring 4" octagon box. Fixture comes equipped with oversized canopy to conceal mounting hardware. (section D.4, page 7).

CM-EXMP / CMHS-EXMP (International Only): "E" MOUNTING

Fitting outfitted with mounting plate used to sandwich substrate with fitting (section D.5, page 8).

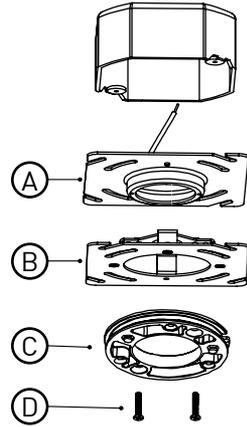
D.1 CM-JBMP / CMHS-JBMP / CM1WM-JBMP / CM2WM-JBMP:

IMPORTANT: The JBMP must be installed prior to substrate.

Suitable for Dry / Damp and Wet Locations.

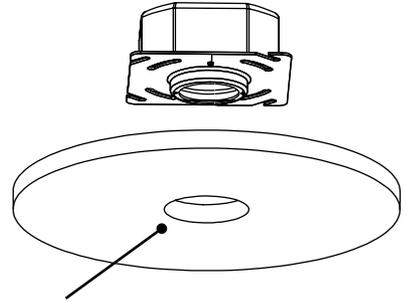
PARTS IDENTIFICATION

Part ID	Description	Qty.
A	J-box Mounting Plate	1
B	Hang Straight	
	J-box Mounting Plate	1
C	Wall Mount Adapter	1
D	Wall Mount Adapter Screws	2



STEP 1

Attach junction box mounting plate to standard 4" octagon or 4" square junction box during rough-in. Refer to section G, page 13 of this install guide for wiring and mounting instructions.

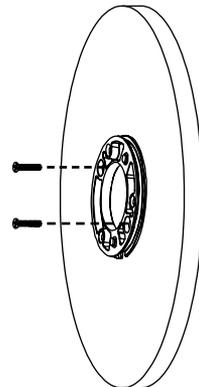


2-1/8" (54mm) cutout

2-3/4" (70mm) cutout **(CM2WM-JBMP
WALL MOUNT ONLY)**

STEP 2 (WALL MOUNT ONLY):

Attach wall mount adapter to junction box mounting plate using supplied screws.

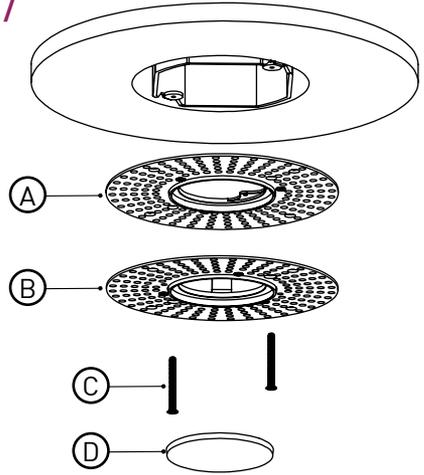


D.2 DLA-APP-CM / DLA-APP-CM-2 / DLA-APP-CMHS:

Suitable for Dry / Damp and Wet Locations.

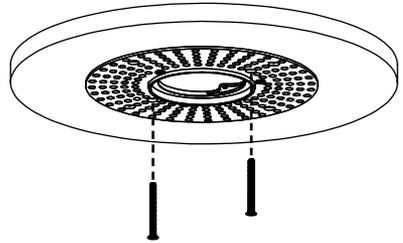
PARTS IDENTIFICATION

Part ID	Description	Qty.
A	Appliqué	1
B	Hang Straight Appliqué	1
C	Mounting Screws	2
D	Mud Plug	1



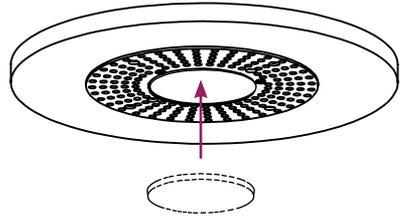
STEP 1

Attach appliqué to standard 4" octagon junction box with supplied screws.



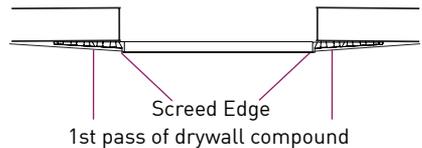
STEP 2

Install mud plug into appliqué aperture.



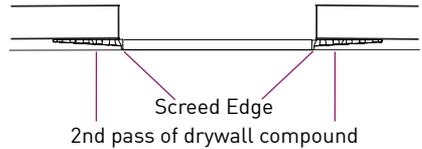
STEP 3

Use floating knife to apply first pass of drywall compound from beyond outer edge of appliqué to inner edge of appliqué / plaster stop. Float out as far as necessary to hide perforated appliqué and allow first pass of joint compound to dry.



STEP 4

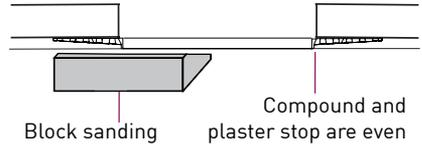
Apply second coat of drywall compound level with screed edge, feathering compound as you move away from appliqué to give appearance of a perfectly flat ceiling . Allow drywall compound to dry and cure.



STEP 5

Gently use block sanding screen to sand surface until desired level of smoothness is achieved.

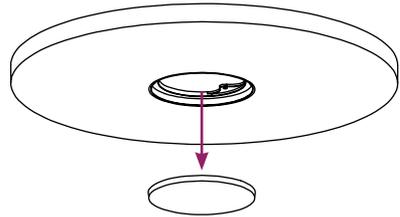
WARNING: An unsatisfactory installation will occur if drywall compound is not sufficiently sanded and the flange / plaster stop is at all receded into the ceiling plane.



STEP 6

Once cured, the ceiling may be painted. After paint is dry, remove foam plug. Check for any drywall compound or paint that may have seeped beneath plug and carefully scrape if necessary. Refer to section G, page 13 of this install guide for wiring and mounting instructions.

Important: Any foreign material left in or on recessed appliqué surface may prevent proper installation of canopy and satisfactory appearance.

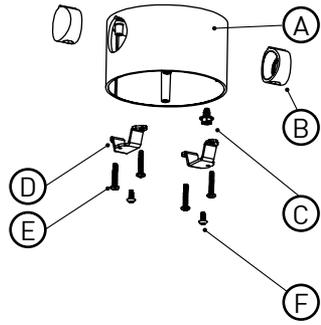


D.3 CM-CMJB

Suitable for Dry / Damp Locations.

PARTS IDENTIFICATION

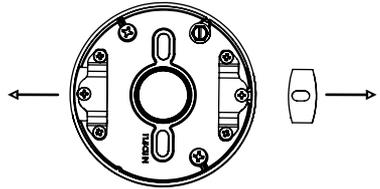
Part ID	Description	Qty.
A	CM-CMJB	1
B	Blank-off plug	2
C	Ground screw	1
D	Clamp	2
E	Clamp screws	4
F	Conduit locking screw	2



STEP 1A - 3/4" EMT CONDUIT

For 3/4" conduit, loosen clamps and conduit locking screw, discard applicable blank-off plug(s).

NOTE: Maximum 3/4" conduit throat diameter is 0.819" (20.8 mm), per UL code.

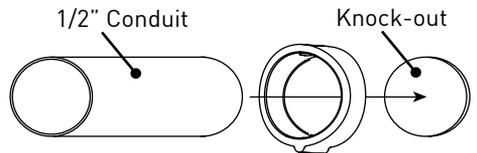
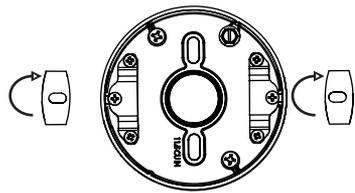


STEP 1B - 1/2" EMT CONDUIT

Scan QR code below and reference knock-out removal video. Loosen clamp and locking screw to remove plug(s). On a protected concrete surface, remove knock-out from plug using 1/2" conduit and reinstall in reverse orientation.

NOTE: Maximum 1/2" conduit throat diameter is 0.622" (15.8 mm), per UL code.

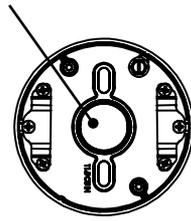
Knock-out Removal



STEP 1C - TOP FEED

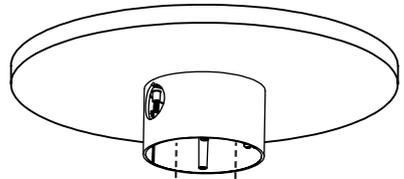
Place CMJB on a soft surface and remove top knock-out.

Knock-out



STEP 2

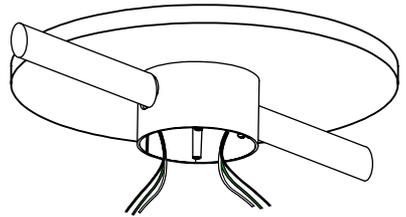
Ensure the ceiling area is level and free from debris, secure CMJB to ceiling with suitable customer furnished hardware.



Screws
(supplied
by others)

STEP 3

Run conduit and wiring to CMJB. On applications using conduit, tighten clamp screws and conduit locking screw(s). Refer to section G, page 13 of this install guide for wiring and mounting instructions.

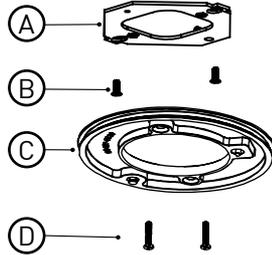
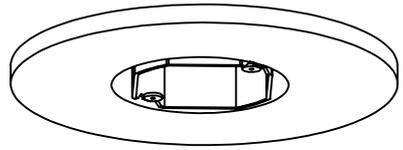


D.4 REMODEL

Suitable for Dry / Damp and Wet Locations.

PARTS IDENTIFICATION

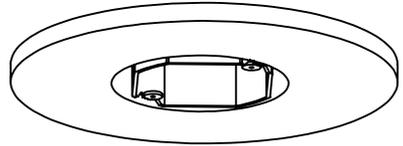
Part ID	Description	Qty.
A	Mounting Plate	1
B	Mounting Screws	2
C	Wall Mount Adapter	1
D	Wall Mount Adapter Screws	2



STEP 1

Mounting plate attaches to standard 4" octagon junction box.

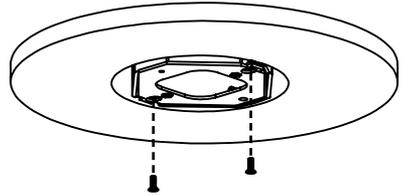
As applies - Remove existing fixture and mounting hardware, ensuring the ceiling area is level and free from debris.



STEP 2

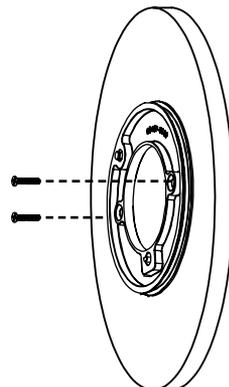
Attach mounting plate to junction box with supplied screws. Refer to section G, page 13 of this install guide for wiring and mounting instructions.

Important: Mounting plate should not finish proud of finished ceiling.



STEP 3 (WALL MOUNT ONLY):

Attach wall mount adapter to mounting plate using supplied screws.



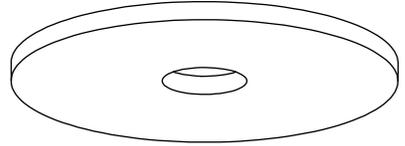
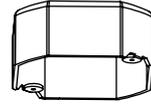
D.5 HANG STRAIGHT ZERO-SIGHTLINE MILLWORK CMHS-JBMP

IMPORTANT: The JBMP must be installed prior to substrate.

Suitable for Dry / Damp and Wet Locations.

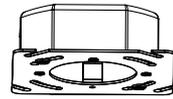
PARTS IDENTIFICATION

<u>Part ID</u>	<u>Description</u>	<u>Qty.</u>
A	Hang Straight J-box Mounting Plate	1



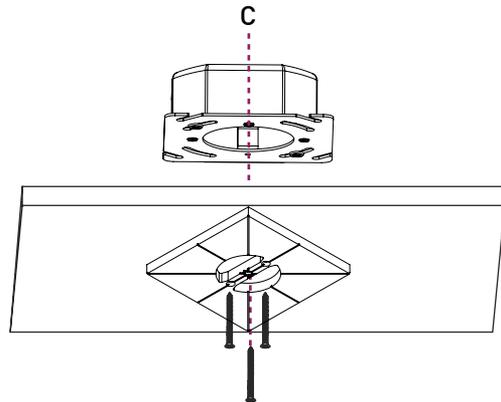
STEP 1

Attach junction box mounting plate to standard 4" octagon or 4" square junction box during rough-in. Refer to section G, page 13 of this install guide for wiring and mounting instructions.



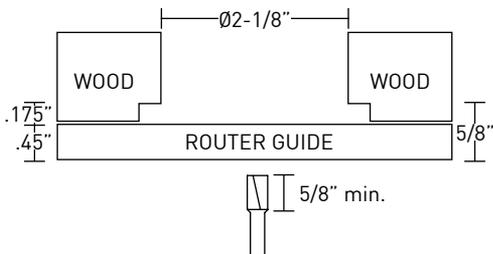
STEP 2

Determine location of, and mark the centerline of the fixture location on the millwork. Install Router Tool Guide centered on the centerline with 3 wood screws.



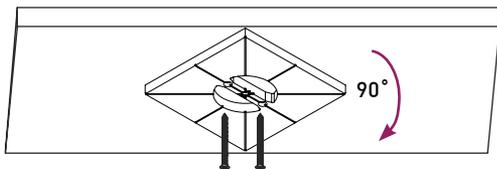
STEP 3

Utilizing plunge router and trim profile router bit set to a depth of 5/8" begin routing around the tool guide.



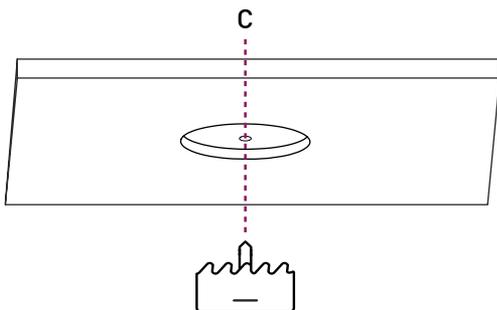
STEP 4

Remove the outer screws on the tool guide and rotate 90°. Reinstall outer screws and continue routing around the tool guide. Repeat, rotating as needed.



STEP 4

Remove tool guide and make 2-1/8" diameter cutout with a hole saw, use hole from center screw as center point. Refer to section G, page 13 of this install guide for wiring and mounting instructions.



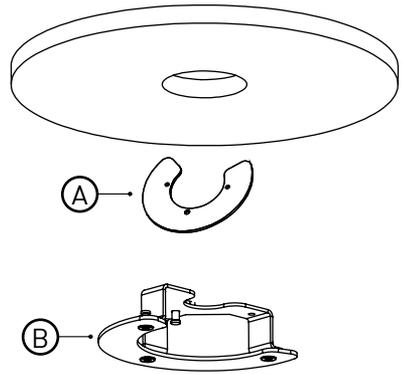
D.5 CM-EXMP / CMHS-EXMP:

Suitable for Dry / Damp and Wet Locations.

PARTS IDENTIFICATION

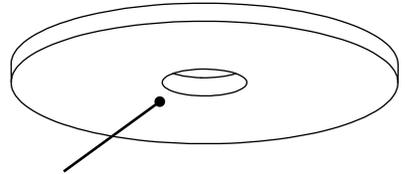
<u>Part ID</u>	<u>Description</u>	<u>Qty.</u>
A	Export Mounting Plate	1
B	Hang Straight Export Mounting Plate	1

Note: Power supply should be installed prior to installation of the EXMP mounting plate. See Section F, page 12.



STEP 1

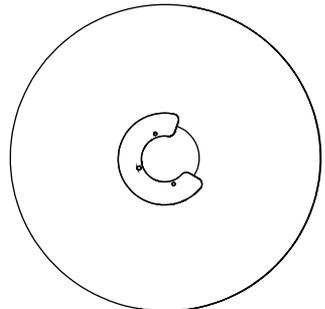
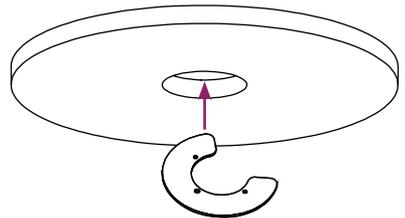
Make 54mm (2-1/8") ceiling cutout at fitting installation location.



54mm (2-1/8") cutout

STEP 2

Insert mounting plate through cutout and place atop ceiling. Refer to section G, page 13 of this install guide for wiring and mounting instructions.



TOP VIEW

E. REMOTE POWER SUPPLY - UL 2108 INSTALLATIONS ONLY

Do not install in environments where ambient temperatures exceed 35°C (95°F).

Determine preferred mounting location, verifying Monopoint falls within allowable wire capacity distance from selected power supply (Ref. Page 21).

Run suitably sized two-pair plenum rated wire between remote driver and Monopoint location, following installation guidelines for terminating, as applies.

Note: Secondary wiring is polarized (+ / -) and must be terminated correctly at both ends for proper operation. It is recommended to use Red (+) and Black (-) wires to avoid confusion. Additionally, a ground wire should not accompany secondary run wires.

WARNING: Failure to use the appropriate gauge wire for the run length required and to ensure proper polarity is observed will cause damage to the unit and void the warranty.

Access splice compartment by removing retaining screws, then tilting cover slightly back and away from base (Fig.1).

Mount power supply back plate assembly to suitable substrate using customer supplied screws (Fig.2).

Insert line / mains and control voltage wiring / conduit into line side of splice compartment and secondary voltage wiring / conduit into secondary side of splice compartment utilizing appropriate strain relief or connector (Fig.3).

Note: Consult wiring diagrams beginning on page 20, in accordance with the applicable driver.

Join structured building wires to corresponding driver wires with suitable customer supplied wire connecting device, ensuring proper polarity is observed with secondary wires.

Push all wires and wire connections into splice compartment and reinstall splice compartment cover by aligning tab and slot, ensuring no wires are pinched by cover. Install retaining screws (fig. 3).

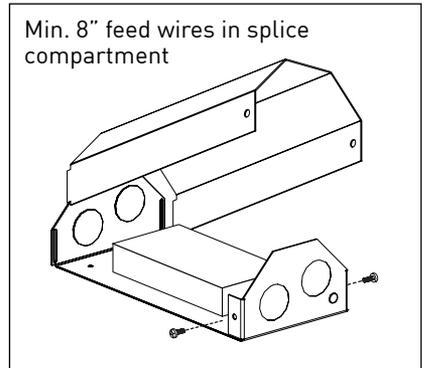


Fig.1

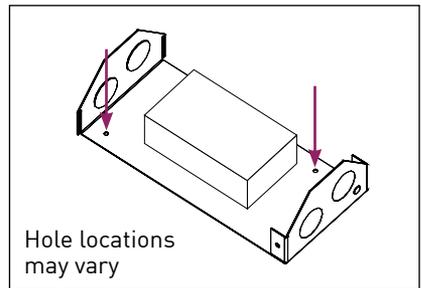


Fig.2

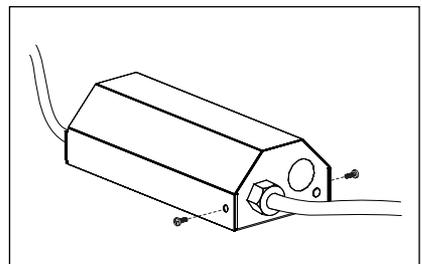


Fig.3

F. REMOTE POWER SUPPLY - CE INSTALLATIONS

Driver assembly provides integral wiring terminal (Fig.4) and typically accepts 3 wires for connecting to the mains voltage: black, white and green (Fig.5) plus any control wiring required.

Connect line / mains and any control wiring to integral wiring terminals. Place power supply atop ceiling.

Note: Power supply should be installed prior to installation of the EXMP mounting plate.

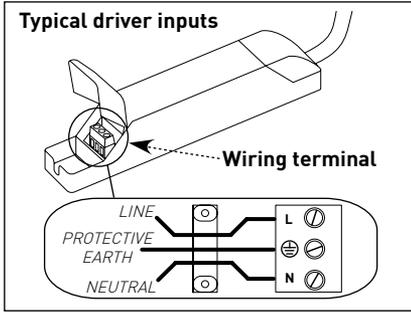


Fig.4

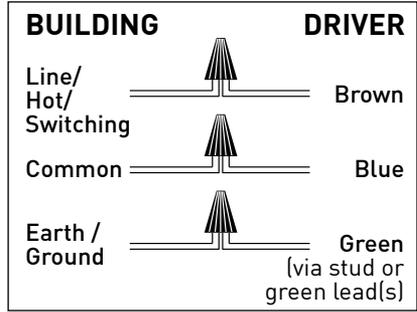
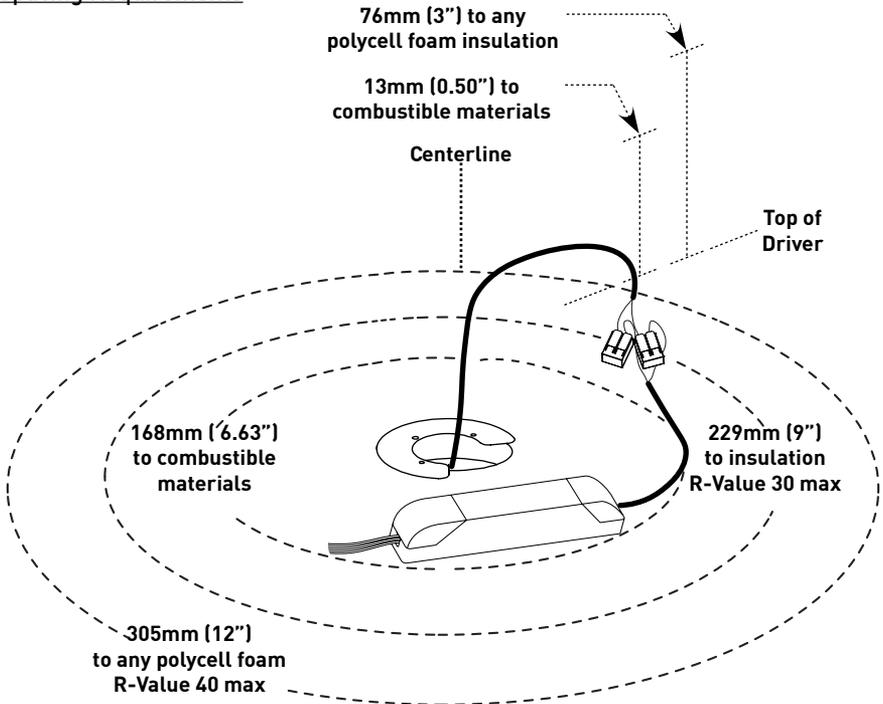


Fig.5

Spacing Requirements

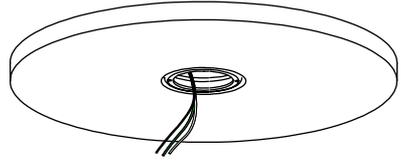


G. WIRING & MOUNTING

STEP 1

NOTE: For Field Cut stem lengths, reference section H, page 16.

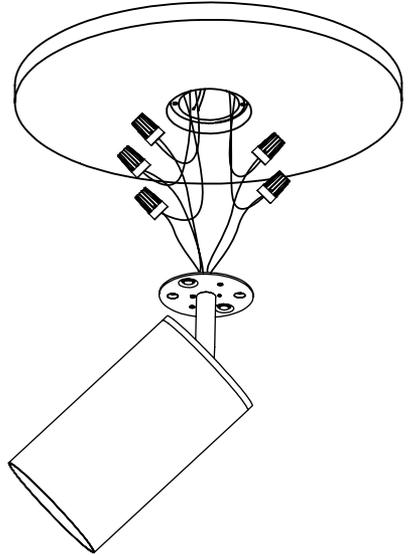
Expose structured wiring from within selected mounting option.



STEP 2A - INTEGRAL DRIVER UL1598 INSTALLATIONS

Attach wiring from line / mains source as indicated with suitable wire-nuts or similar connectors supplied by others. For 0-10V dimming option, use pink and purple wires. Push connections and excess wiring into junction box or ceiling space.

- Black Wire - Line / Mains
- White Wire - Neutral
- Green Wire - Ground / Earth
- Purple Wire - Dim +
- Pink Wire - Dim -

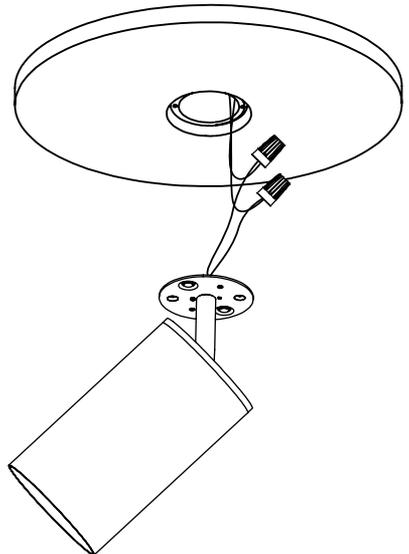


STEP 2B - REMOTE DRIVER / LVS UL2108 INSTALLATIONS

Attach wiring from low voltage source as indicated with suitable wire-nuts or similar connectors. Push connections and excess wiring into junction box or ceiling space.

Reference Section O for drive current and node compatibility information.

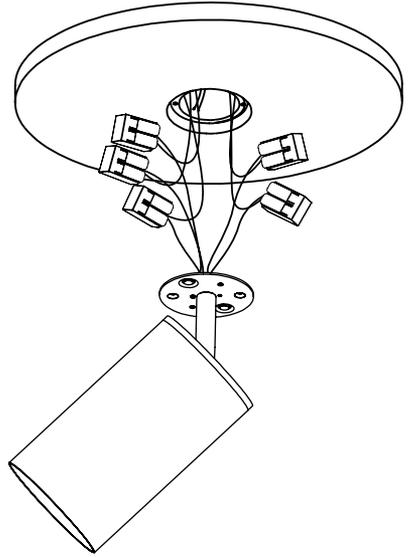
- Red Wire - Positive (+)
- Black Wire - Negative (-)



STEP 2C - INTEGRAL DRIVER EXPORT INSTALLATION

Attach wiring from line / mains source as indicated with suitable wire-nuts or similar connectors supplied by others. For 0-10V dimming option, use pink and purple wires. Push connections and excess wiring into ceiling space.

- Black / Brown Wire - Line / Mains
- White / Blue Wire - Neutral
- Green Wire - Ground / Earth
- Purple Wire - Dim +
- Pink Wire - Dim -

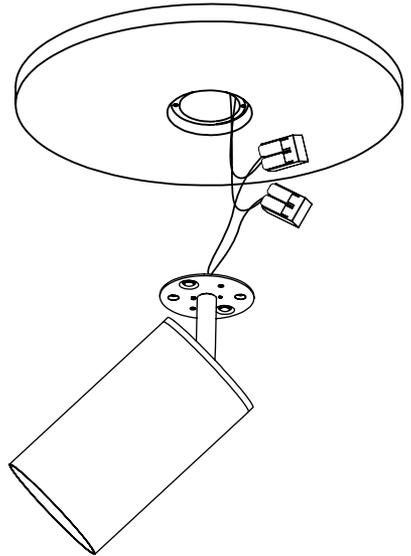


STEP 2D - REMOTE DRIVER EXPORT INSTALLATIONS

Attach wiring from low voltage source as indicated with suitable wire-nuts or similar connectors. Push connections and excess wiring into ceiling space.

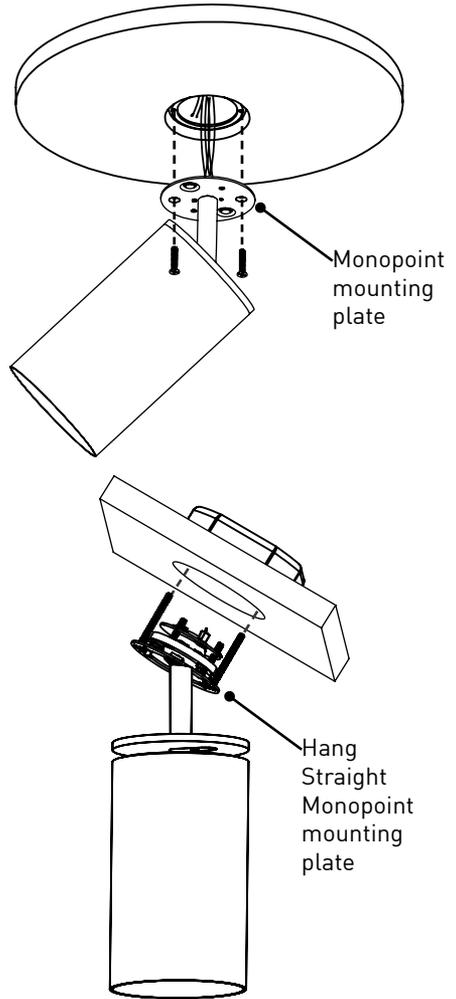
Reference Section 0 for drive current and node compatibility information.

- Red Wire - Positive (+)
- Black Wire - Negative (-)



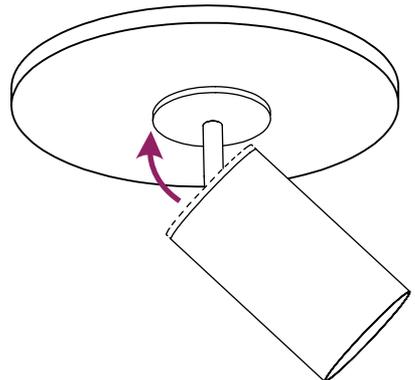
STEP 3A SURFACE MOUNT & HANG STRAIGHT

Lower canopy, exposing Monopoint mounting plate. Attach monopoint mounting plate to installed mounting accessory using the supplied screws. Mounting plate seats flush to ceiling substrate.



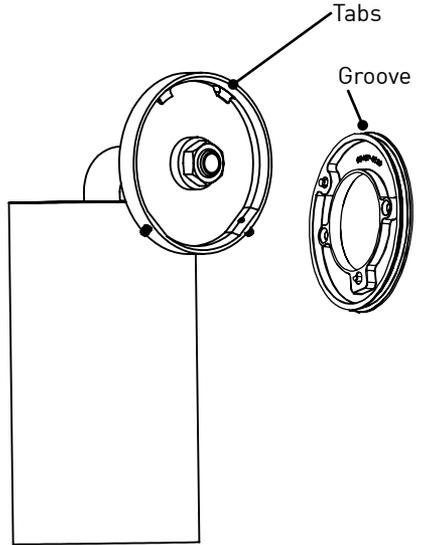
STEP 3B SURFACE MOUNT & HANG STRAIGHT

Carefully slide canopy toward mounting plate until canopy engages magnetic retainers. Avoid scratching stem with canopy.



STEP 4A WALL MOUNT

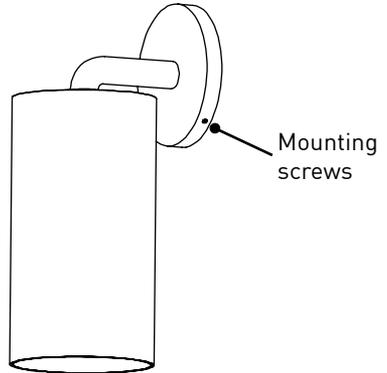
With the fixture at a slight angle, key the tabs into the groove on the mounting adapter, being careful not to mar the surface. With the tabs engaged tilt the fixture down so the canopy is flush with the surface.



STEP 4B WALL MOUNT

Tighten the two mounting screws on the canopy using .050" ball end Allen key.

NOTE: Mounting screws are located at 5 and 7 O'Clock

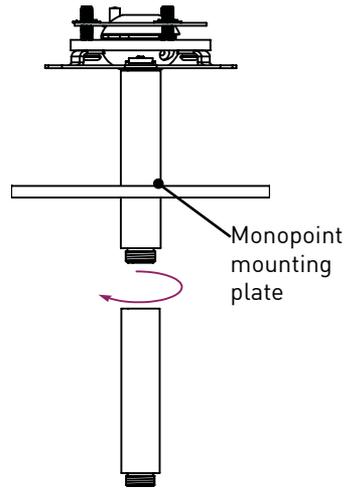


H. HANG STRAIGHT STEM CUTTING

IMPORTANT: Hang Straight fixtures equipped with 3" standard length (SL) stem come fully assembled and are not field cuttable. All others ship with Stem packaged separately.

STEP 1

For stem lengths greater than 24", thread lower stem onto upper stem to hand tight.

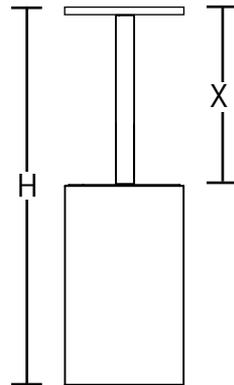


STEP 2

Define the desired overall suspended dimension (See "H" in drawing). Subtract the applicable CM1 or CM2 measurement shown below:

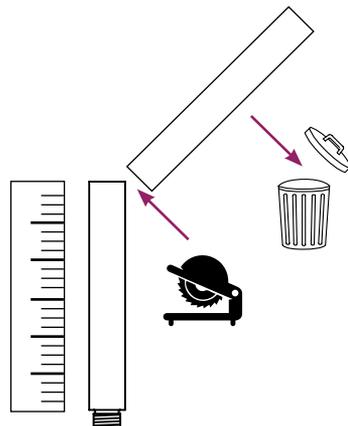
CM1 = 5.4"

CM2 = 6.0"



STEP 3

Cut to length, protecting surfaces that will remain visible. Discard non-threaded end of stem.



STEP 4

Feed conductors through stem assembly.

STEP 5

Thread stem into fixture body and secure firmly by hand tightening.

NOTE: Cut portion of stem terminates at ball joint.

STEP 6

Slide canopy over stem assembly, with magnets facing upwards, being careful to avoid scratching or marring the finishes.

STEP 7

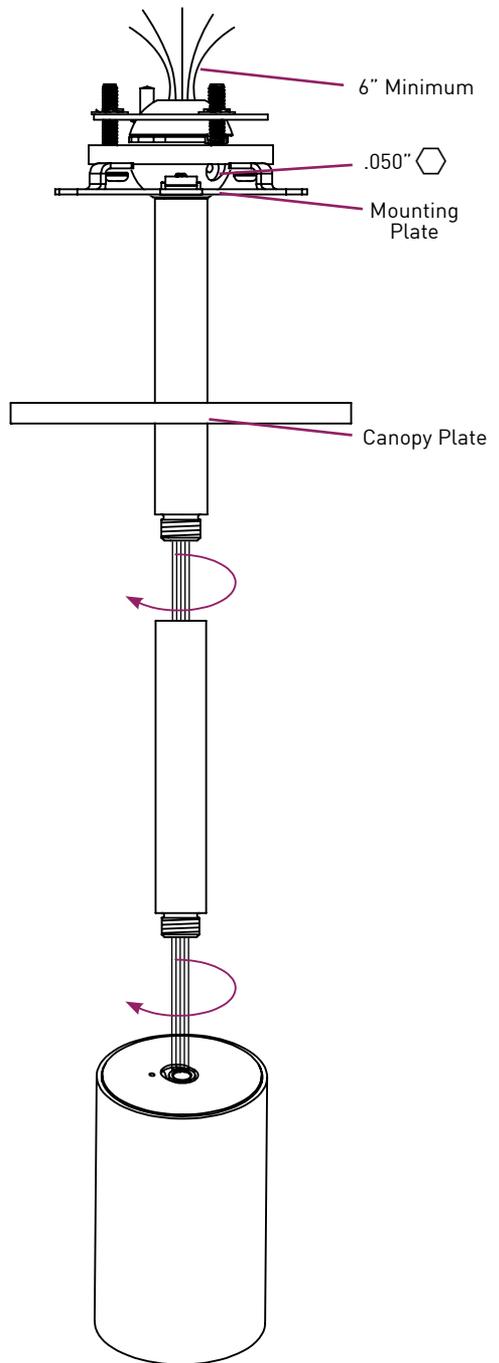
Insert cut end of the stem into the ball joint, secure by tightening .050" Allen set screw.

STEP 8

Cut and strip wiring leaving 6" minimum above the ball joint. Refer to Step G Page 13 for wiring and mounting.

STEP 9

Raise magnetic canopy plate over stem and secure to mounting plate.



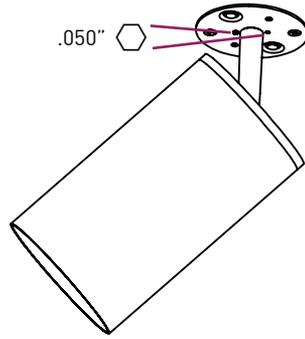
I. ROTATION (NON HANG STRAIGHT)

STEP 1

Lower canopy plate.

STEP 2

Loosen .050" Allen rotation lock screws (2x) and rotate fixture up to 365° max. Tighten screws once completed and raise canopy plate.



J. HANG STRAIGHT FIXTURES

STEP 1

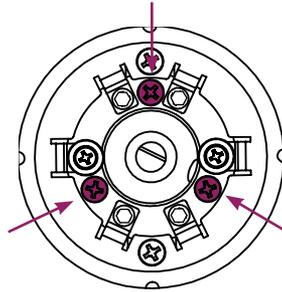
Lower canopy plate.

STEP 2

Loosen highlighted Philips screws and allow fixture to hang straight.

STEP 3

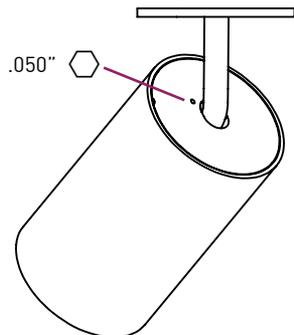
Rotate fixture up to 365° max. Tighten highlighted screws once completed, and raise canopy plate.



K. TILT

STEP 1

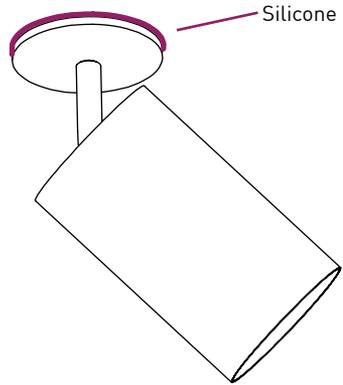
Loosen .050" Allen tilt lock screw and tilt fixture up to 90° max. Tighten screw once completed.



L. WET LOCATIONS

STEP 1

With fixture rotation set, apply clear silicone fillet seal around the canopy where it meets the substrate.



M. OPTIC REPLACEMENT

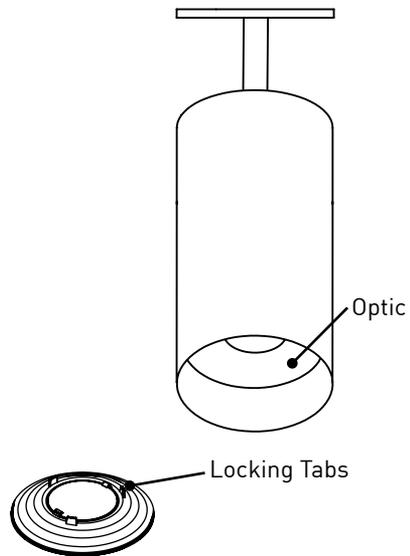
STEP 1

Remove baffle.

NOTE: Wet location baffles require suction cup for removal.

STEP 2

Carefully grab optic and twist counter-clockwise to remove and clockwise to secure. Ensure that both locking tabs of optic engage LED base. Reinstall baffle.

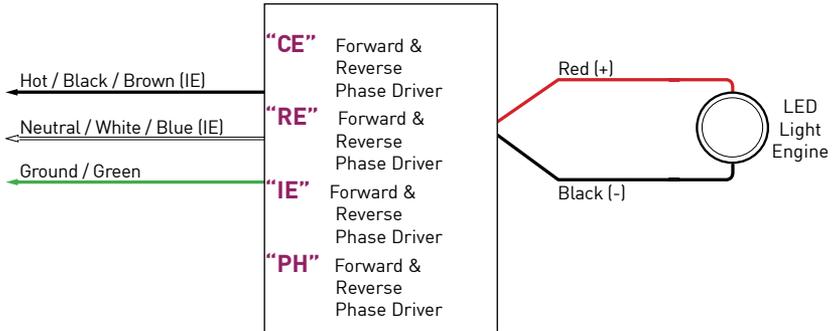


N. DRIVER WIRING DETAIL

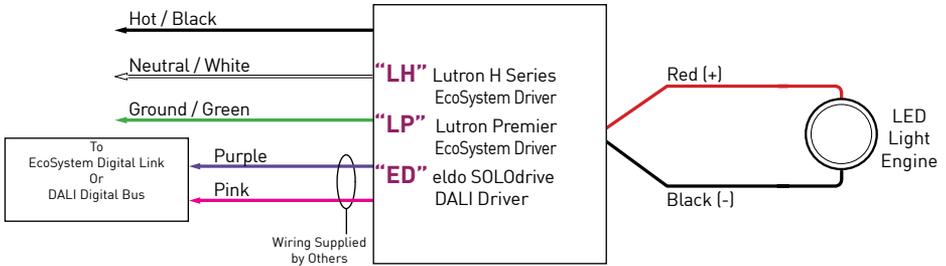
GENERAL WIRING NOTES

1. Consult approved dimmer list to ensure compatibility.
2. Install in accordance with manufacturer's dimmer installation guidelines.
3. Secondary and 0-10V connections are polarity sensitive.

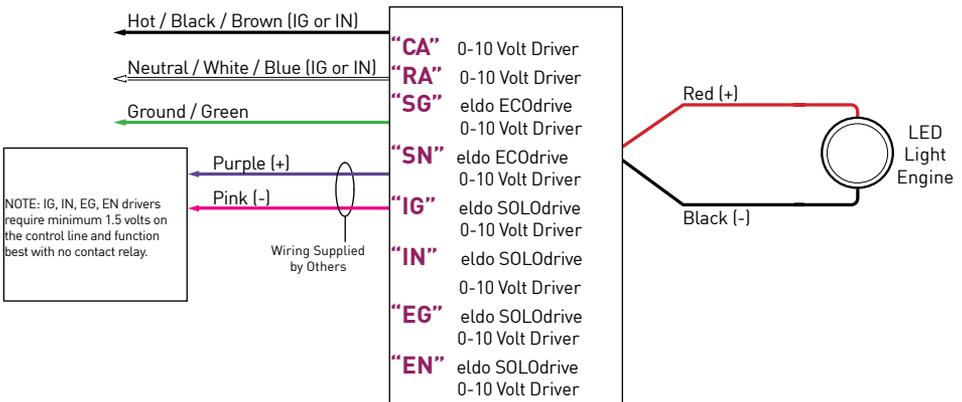
WIRING DIAGRAM FOR PHASE DIMMING



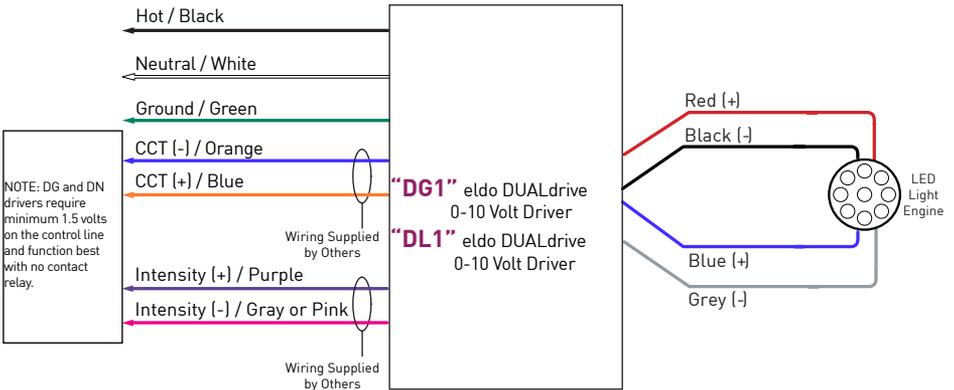
WIRING DIAGRAM FOR ECOSYSTEM AND DIGITAL CONTROL



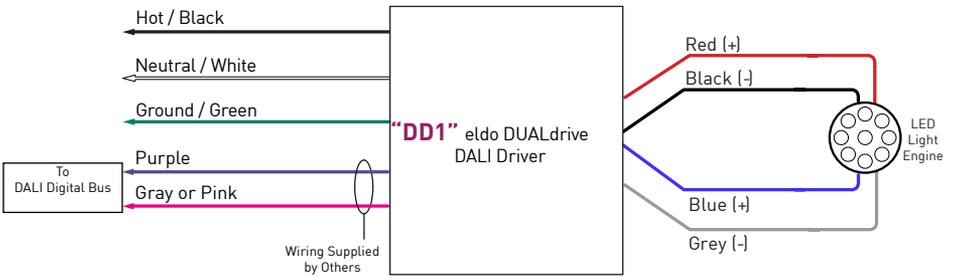
WIRING DIAGRAM FOR ANALOG CONTROL



WIRING DIAGRAM FOR TUNABLE WHITE ANALOG CONTROL



WIRING DIAGRAM FOR TUNABLE WHITE DALI CONTROL



REMOTE DRIVER WIRING DISTANCE

Lutron Drivers: "LP"

AWG Value	18	16	14	12
Distance (ft)	15	25	40	60
Distance (m)	4.5	7.5	12	18

eldoLED Drivers: "ED", "EG", "EN", "DD1", "DG1" & "DN1"

AWG Value	20	18	16
Distance (ft)	46	72	118
Distance (m)	14	22	36

O. UL2108 INSTALLATION INFORMATION

Drive Current Information:

	80S			90S			97S			90W		90T	
	11A	17A	28A	11A	17A	28A	11A	17A	28A	11A	18A	17A	28A
Minimum Vf	30.5	30.5	30.5	30.5	30.5	30.5	30.5	30.5	30.5	30.5	30.5	30.5	30.5
Maximum Vf	39	39	39	39	39	39	39	39	39	39	39	39	39
Current mA	250	400	650	250	400	650	250	400	650	250	400	400	650
Wattage W	8.4	14.0	23.8	8.2	13.6	23.8	8.2	13.6	23.8	8.6	13.8	13.6	23.8

Node Compatibility:

Manufacturer	Model Number
	NP50-60-C-F-5
	180996-5107 180996-5101 180996-5102 180996-5103
	1 Channel Node, POE-LN2-1U-E 2 Channel Node, POE-LN2-2U-E 4 Channel Node, POE-LN2-4U-E

Please consult website for full warranty terms and conditions:

www.luciferlighting.com/warranty

[09202024]

3750 North PanAm Expressway

San Antonio, TX 78219 USA

[PH] +1 210 227 7329

[FAX] +1 210 227 4967

www.luciferlighting.com

LUCIFER®
LIGHTING COMPANY

©2024 Lucifer Lighting Company
As part of its policy of continuous research and product development, the Company reserves the right to change or withdraw specifications without prior notice.