

# 2 SERIES HAL INT

## SHALLOW REGRESS

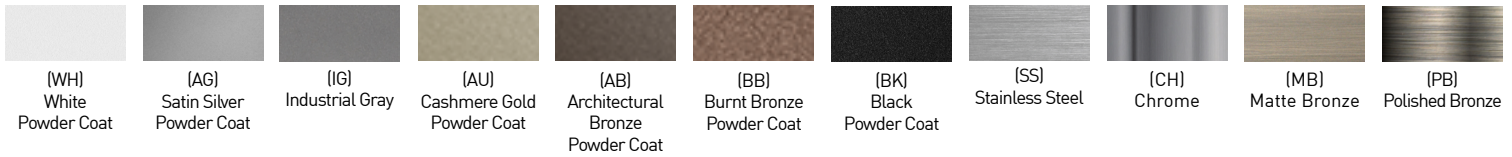
Our smallest aperture family of pin-hole fixtures offers high-output illumination for high-drama design statements in discerning residential, retail, and hospitality environments.

PROJECT NAME:	TYPE:
---------------	-------



### ORDERING INFORMATION

FITTING	RATING	FLANGE FINISH	INSTALL TYPE	CEILING THICKNESS	POWER SUPPLY	EFFECTS DEVICE	FLANGE CONFIGURATION
2RS Round Expanded	1 IP20 Dry / Damp	WH White	EX Export	0 3mm - 13mm	INTERNATIONAL (120V - 240V)	04 Standard Effects Device Soft Focus Lens	F Flange Overlay (No Applique)
2PS Round Pinhole	2 IP64 Wet* *(Lens sealed in place)	AG Satin Silver		1 13mm - 20mm	LVH Low Voltage Halogen* *(Fitting ships with MR16 socket, power supply not provided)	00 No Lens* *(Not available for IP64 wet location)	G Zero Sightline - Gypsum (1.57mm Applique)*
2SS Square Expanded		IG Industrial Gray		2 20mm - 32mm	MVH Mains Voltage Halogen* *(Fitting ships with GU10 socket, power supply not provided)	01 Linear Spread Lens *(Not available for IP64 wet location)	P Zero Sightline - Plaster (3.18mm Applique)* *(Not available for IP64 wet location)
		AU Cashmere Gold		3 32mm - 51mm		02 Honeycomb Louver* *(Not available for IP64 wet location)	
		AB Architectural Bronze		4 51mm - 76mm		03 Clear Glass Lens	
		BB Burnt Bronze				05 Frosted Glass Lens	
		BK Black				09 Ultra Violet Lens	
		SS Stainless Steel* *(Increased lead time)				26 Frosted Linear Spread Lens* *(Not available for IP64 wet location)	
		CH Chrome* *(Increased lead time)					
		MB Matte Bronze* *(Increased lead time)					
		PB Polished Bronze* *(Increased lead time)					
		PR Primer					
		CF Custom* *(Consult Factory)					



### PART NUMBER NOTES

- Fitting ships as e.g. 2PS1-WH-EX-1-LVH04
- Appliqué ships with fitting

### ACCESSORIES

#### ALTERNATE EFFECTS DEVICES

- LSL-2 Linear Spread Lens
- HCL-2 Honeycomb Louver \*

\*(Not available for IP64 wet location)

- CGL-2 Clear Glass Lens
- SFL-2 Soft Focus Lens
- FGL-2 Frosted Glass Lens
- UVL-2 Ultra Violet Lens
- FLSL-2 Frosted Linear Spread Lens \*

\*(Not available for IP64 wet location)

#### ROUTER TOOL GUIDE (IP20 Dry / Damp locations only)

Recommended for Zero-Sightline installations in wood ceilings. Must Specify F Flange Configuration

- DLA-RTG-2S-RD Tool, router guide; reusable

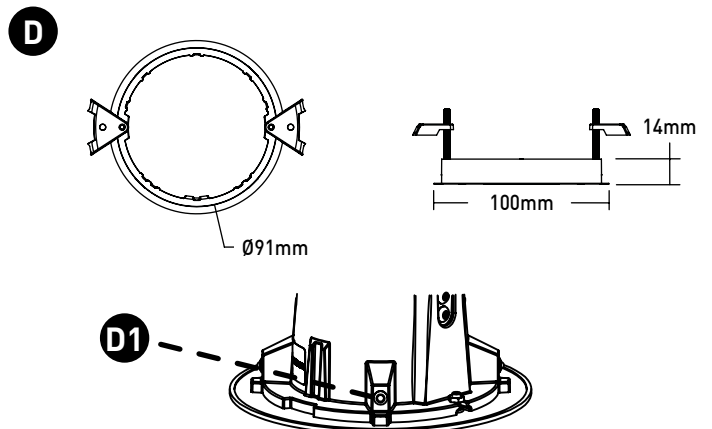
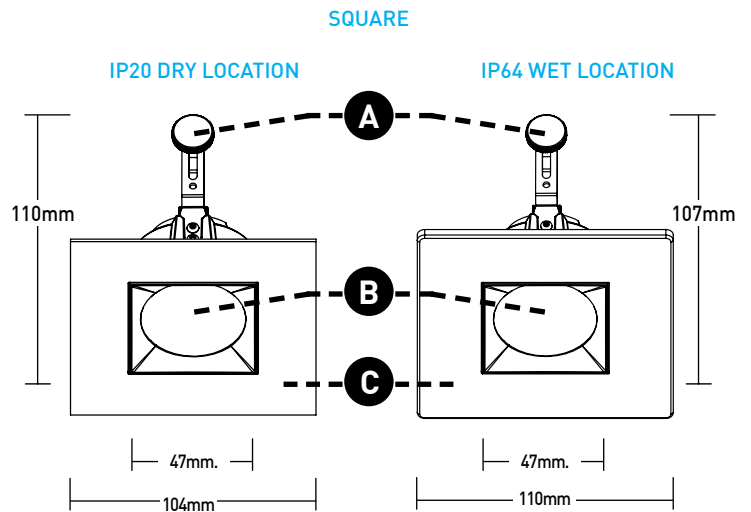
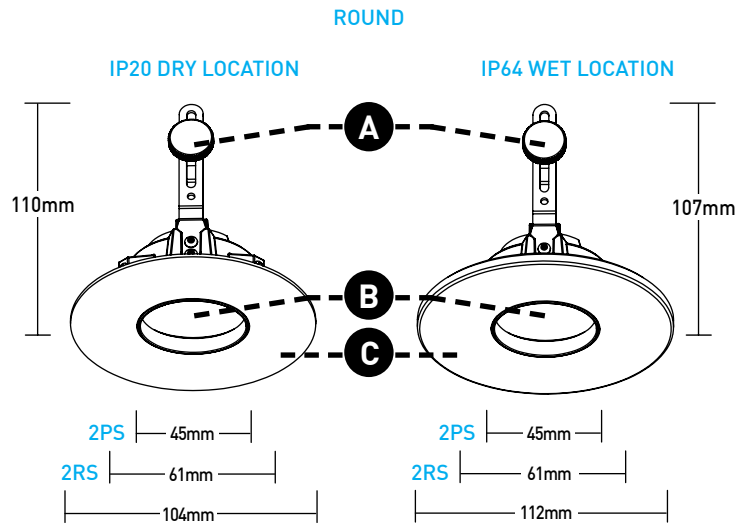
# 2 SERIES HAL INT SHALLOW REGRESS

## DOWNLIGHT FITTING

Die-cast shallow baffle minimizes aperture glare and conceals view into housing. Black finish standard.

- A** **ADJUSTABLE YOKE**  
Adjustable yoke allows for quick exchange of lamp and effects devices. Accommodates up to 2 effects devices.
- B** **EFFECTS DEVICES**  
Wall grazer lens included and sealed in place on IP64 wet location fittings.
- C** **FITTING PLATE**  
IP64 Wet location features integral silicone gasket.
  - IP20 Dry / Damp Location: Thickness measures 1.7mm
  - IP64 Wet Location: 3.8mm return, installed as flange overlay only.
- D** **DOWNLIGHT FITTING ADAPTER**  
Included with fitting and required for installation. Uses (2) #6-32 flat-head screws with varying lengths to accommodate ceiling depth. Installed after ceiling is complete. Requires 92mm diameter cutout for flange overlay applications.
- D1** **RETENTION**  
Engineered integral ball plungers correspond to fitting adaptor ensuring snug fit against finished ceiling.

## DIMENSIONS / DRAWINGS



# 2 SERIES HAL INT SHALLOW REGRESS

## ZERO-SIGHTLINE INSTALLATIONS

Zero-Sightline installations available for IP20 Dry / Damp location fittings only. When installed according to manufacturer's instructions and ceiling conditions are met, fitting is flush with the ceiling plane. Consult 2-Series Installation Guidelines for appropriate ceiling cutouts and instructions for proper Zero-Sightline installations.

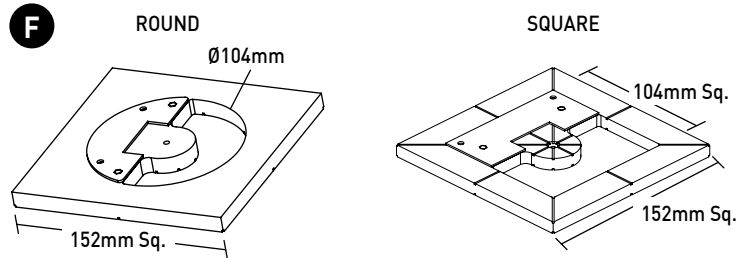
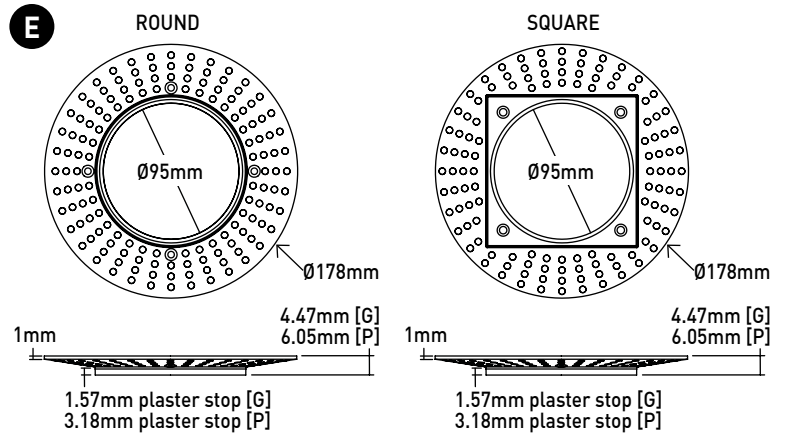
### E APPLIQUÉ

- Specified on Flange Configuration and ships with housing; ships separately on remodel installations.
- For use in sheetrock ceiling applications.
- 1.57mm Appliqué (G Flange Configuration) recommended for gypsum ceiling installations and has plaster stop thickness of 1.57mm. Recommended for painted ceiling applications.
- 3.18mm Appliqué (P Flange Configuration) offers double thick plaster stop of 3.18mm where a heavier application of mud is preferred. Recommended for colorfast and venetian plaster applications. Not recommended for stucco applications.

### F ROUTER TOOL GUIDE

- Specified separately and used with Flange Overlay configurations.
- For use in wood ceiling applications.
- **DLA-RTG-2S-RD** or **DLA-RTG-2S-SQ** required for wood Zero-Sightline ceiling installations.
- Router tool guide is reusable and suitable for multiple fittings.

## DIMENSIONS / DRAWINGS



# 2 SERIES HAL INT SHALLOW REGRESS

## TECHNICAL

### CONSTRUCTION

Downlight Fitting: Steel and aluminum; Painted finishes are granulated powder coat.

Fitting Adaptor: High impact composite and stainless steel.

Appliqué: Zinc alloy.

### LAMP

MR-16 halogen and LED; 12-volt GU5.3 base and line / mains GU10 base.

To ensure optimal results, it is recommended to specify lamps supplied by Lucifer Lighting. Note: MR-16 LED lamps, other than those listed, must be independently confirmed as compatible by the corresponding lamp manufacturer. Consult factory for assistance.

### DIMMING PROTOCOL

Best achieved using a corresponding reverse phase control for electronic transformers and a forward phase control for magnetic transformers.

Compatibility and performance may vary between controls and applied loads.

### LISTING

CE Listed for IP20 Dry / Damp and IP64 Wet locations.

### WEIGHT

Fitting - 1 lb max

### LIMITED WARRANTY

Manufacturer's 1-year warranty, from the date of shipment by Seller, on all Lucifer Lighting provided system components. Consult website for full warranty terms and conditions.