

# 2 SERIES LED INT

## ADJUSTABLE

High-output, low profile, and infinite adjustment -- these small aperture downlights make elegant design statements in discerning residential, retail, and hospitality environments.

|               |       |
|---------------|-------|
| PROJECT NAME: | TYPE: |
|---------------|-------|



### ORDERING INFORMATION

| TRIM  | RATING  | FLANGE FINISH   | CRI / WATTAGE PACKAGE   | CCT   | OPTIC (UGR)  | INSTALL TYPE | CEILING THICKNESS   | POWER SUPPLY   | MEDIA   | FLANGE CONFIGURATION   |
|---|---|---|---|---|--|--------------|---|--|---|--|
| 2RA Round Expanded Aperture<br>2PA Round Pinhole Aperture<br>2SA Square Expanded Aperture | 1 Dry/Damp<br>2 Wet*<br><small>* (Lens sealed in place)</small> | WH White<br>AG Satin Silver<br>IG Industrial Gray<br>AU Cashmere Gold<br>AB Arch Bronze<br>BB Burnt Bronze<br>BK Black<br>SS Stainless Steel*<br><small>* (Increased lead time)</small><br>CH Chrome*<br><small>* (Increased lead time)</small><br>MB Matte Bronze*<br><small>* (Increased lead time)</small><br>PB Polished Bronze*<br><small>* (Increased lead time)</small><br>PR Primer<br>CF Custom*<br><small>* (Consult Factory)</small> | <b>LOW FLUX STATIC WHITE</b><br><b>80S06A</b> 80+ CRI, 6 Watts<br>(Delivered - 2RA 670, 2PA 544, 2SA 603)<br><b>80S11A</b> 80+ CRI, 11 Watts<br>(Delivered - 2RA 1076, 2PA 886, 2SA 1011)<br><b>80S15A</b> 80+ CRI, 15 Watts<br>(Delivered - 2RA 1471, 2PA 1194, 2SA 1386)<br><b>90S06A</b> 90+ CRI, 6 Watts<br>(Delivered - 2RA 578, 2PA 469, 2SA 520)<br><b>90S11A</b> 90+ CRI, 11 Watts<br>(Delivered - 2RA 928, 2PA 764, 2SA 872)<br><b>90S15A</b> 90+ CRI, 15 Watts<br>(Delivered - 2RA 1268, 2PA 1029, 2SA 1195)<br><b>97S06A</b> 97+ CRI, 6 Watts<br>(Delivered - 2RA 509, 2PA 412, 2SA 458)<br><b>97S11A</b> 97+ CRI, 11 Watts<br>(Delivered - 2RA 817, 2PA 672, 2SA 767)<br><b>97S15A</b> 97+ CRI, 15 Watts<br>(Delivered - 2RA 1116, 2PA 905, 2SA 1052)<br><b>HIGH FLUX STATIC WHITE</b><br><b>80S21A</b> 80+ CRI, 21 Watts<br>(Delivered - 2RA 1974, 2PA 1624, 2SA 1856)<br><b>90S21A</b> 90+ CRI, 21 Watts<br>(Delivered - 2RA 1702, 2PA 1400, 2SA 1600)<br><b>97S21A</b> 97+ CRI, 21 Watts<br>(Delivered - 2RA 1498, 2PA 1232, 2SA 1408)<br><br><b>WARM DIM</b><br><b>90W11A</b> 90+ CRI, 11 Watts, Incandescent Profile: 2700K - 1800K<br>(Delivered - 2RA 656, 2PA 566, 2SA 590)<br>Halogen Profile: 3000K - 1800K<br>(Delivered - 2RA 645, 2PA 540, 2SA 581)<br><b>90W15A</b> 90+ CRI, 15 Watts, Incandescent Profile: 2700K - 1800K<br>(Delivered - 2RA 917, 2PA 791, 2SA 862)<br>Halogen Profile: 3000K - 1800K<br>(Delivered - 2RA 904, 2PA 756, 2SA 850)<br>*SEE PAGE 3 FOR DETAILED WARM DIM PROFILE COMPARISON.<br><br><b>TUNABLE WHITE</b><br><b>90T17A</b> 90+ CRI, 17 Watts, Warm Profile: 4000K - 1800K<br>(Delivered - 2RA 1067, 2PA 908, 2SA 960)<br>Cool Profile: 5000K - 2700K<br>(Delivered - 2RA 1049, 2PA 900, 2SA 944)<br><br>*ALL DELIVERED LUMEN OUTPUTS REFLECT 3000K PAIRED WITH 20° OPTIC AND SOFT FOCUS LENS. | 24 2400K*<br><small>* (90+ CRI only, 15W max)</small><br>27 2700K<br>30 3000K<br>35 3500K<br>40 4000K | 10 10° (<13)<br><small>* (15W packages only)</small><br>15 15° (<13)<br>20 20° (<13)<br>25 25° (<13)<br>40 40° (<13)<br>60 60° (<13)<br><small>* (Not recommended for 2PA)</small> | EX Export    | 0 0.125" - 0.49"*<br><small>* (RM, RR Install Types only)</small><br>1 0.50" - 0.75"<br>2 0.76" - 1.25"*<br><small>* (Max Tilt 35°, see page 4 for details.)</small><br>3 1.26" - 2.00"*<br><small>* (Max Tilt 13°, see page 4 for details.)</small><br>4 2.01" - 3.00"*<br><small>* (Max Tilt 5°, see page 4 for details.)</small> | (120-277V)<br>AN3 eldoLED, ECOdrive 1.0% 0-10V, LOG<br>LN1 eldoLED, ECOdrive 1.0% 0-10V, LIN<br>EA1 eldoLED, SOL0drive 0.1% 0-10V, LOG<br>LA1 eldoLED, SOL0drive 0.1% 0-10V, LIN<br>ED1 eldoLED, SOL0drive 0.1% DALI-2, LOG<br>LD1 eldoLED, SOL0drive 0.1% DALI-2, LIN<br>NOD Driver Supplied by Others<br><br>TUNABLE WHITE REMOTE (0.1%, 120-277V)<br>DD1 eldoLED, DUALdrive DALI-2, LOG | Standard Media<br>04 Soft Focus Lens<br><small>* (Required for 10° optic)</small><br>Alternate Media<br>NL No Lens*<br><small>* (Not available for wet location or Warm Dim)</small><br>02 Honeycomb Louver*<br><small>* (Not available for wet location or Warm Dim)</small><br>03 Clear Glass Lens*<br><small>* (Not available for Warm Dim)</small><br>05 Frosted Glass Lens<br>09 Ultra Violet Lens<br>11 Shatterproof Soft Focus Lens<br>12 Shatterproof Frosted Lens<br>26 Frosted Linear Spread Lens*<br><small>* (Not available for wet location)</small> | F Flange Overlay (No Applique)<br>G Zero Sightline Gypsum (1/16" Applique)*<br><small>* (Not available for wet location)</small><br>P Zero Sightline Plaster (1/8" Applique)*<br><small>* (Not available for wet location)</small> |

### PART NUMBER NOTES

- Fitting ships as e.g., 2RA1-WH-80S15A2-2EX1-AN304
- Driver ships with fitting
- Applique ships with fitting



# 2 SERIES LED INT ADJUSTABLE

## ACCESSORIES

### ALTERNATE MEDIA

**HCL-2** Honeycomb Louver\*

\*(Not available for IP64 wet location or Warm Dim)

**CGL-2** Clear Glass Lens\*

\*(Not available for Warm Dim)

**SFL-2** Soft Focus Lens

**FGL-2** Frosted Glass Lens

**UVL-2** Ultra Violet Lens

**FLSL-2** Frosted Linear Spread Lens\*

\*(Not available for IP64 wet location)

**SFL-2-SP** Shatterproof Soft Focus Lens

**FGL-2-SP** Shatterproof Frosted Lens

### STATIC WHITE REPLACEMENT OPTICS

**RO-50-15-S** 15° optic

**RO-50-20-S** 20° optic

**RO-50-25-S** 25° optic

**RO-50-40-S** 40° optic

**RO-50-60-S** 60° optic\*

\*(Not recommended for 2PA)

### WARM DIM REPLACEMENT OPTICS

**RO-50-20-W** 20° optic

**RO-50-25-W** 25° optic

**RO-50-40-W** 40° optic

**RO-50-60-W** 60° optic\*

\*(Not recommended for 2PA)

### TUNABLE WHITE REPLACEMENT OPTICS

**RO-50-15-T** 15° optic

**RO-50-20-T** 20° optic

**RO-50-25-T** 25° optic

**RO-50-40-T** 40° optic

**RO-50-60-T** 60° optic\*

\*(Not recommended for 2PA)

### ROUTER TOOL GUIDE (IP10 Dry / Damp locations only)

Recommended for Zero-Sightline installations in wood ceilings.

**DLA-RTG-2S-RD** Tool, router guide, round; reusable

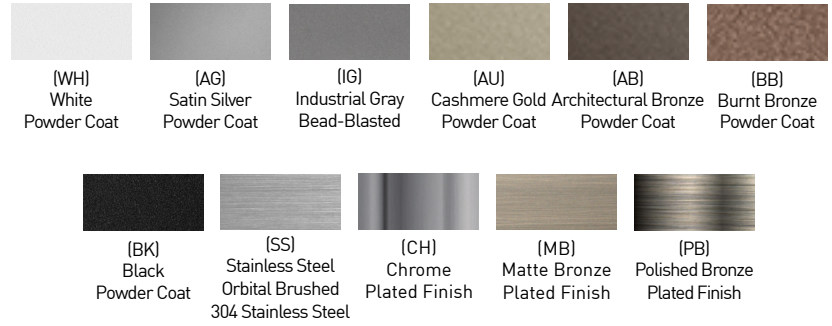
**DLA-RTG-2S-SQ** Tool, router guide, square; reusable

### ADJUSTMENT TOOL

One included with every four fittings.

**TOOL-HEX-050**

## FINISHES BY LUCIFER LIGHTING™



## DRIVE CURRENT SPECIFICS

|            | 80S  |      |      |      | 90S  |      |      |      | 97S  |      |      |      | 90W  |      |      |      | 90T  |      |
|------------|------|------|------|------|------|------|------|------|------|------|------|------|------|------|------|------|------|------|
|            | 06A  | 11A  | 15A  | 21A  | 06A  | 11A  | 15A  | 21A  | 06A  | 11A  | 15A  | 21A  | 11AD | 11AL | 15AD | 15AL | 17AH | 17AR |
| Minimum Vf | 30.5 | 30.5 | 30.5 | 30.5 | 30.5 | 30.5 | 30.5 | 30.5 | 30.5 | 30.5 | 30.5 | 30.5 | 30.5 | 30.5 | 30.5 | 30.5 | 30.5 | 30.5 |
| Maximum Vf | 36.2 | 36.2 | 36.2 | 36.2 | 36.2 | 36.2 | 36.2 | 36.2 | 36.2 | 36.2 | 36.2 | 36.2 | 37.6 | 37.6 | 37.6 | 37.6 | 37.6 | 37.6 |
| Current mA | 150  | 250  | 350  | 500  | 150  | 250  | 350  | 500  | 150  | 250  | 350  | 500  | 250  | 250  | 350  | 350  | 400  | 400  |
| Wattage W  | 6    | 11   | 15   | 21   | 6    | 11   | 15   | 21   | 6    | 11   | 15   | 21   | 8    | 8    | 15   | 15   | 14   | 14   |

|            | 10 DEGREE OPTIC |        |        |
|------------|-----------------|--------|--------|
|            | 80S15C          | 90S15C | 97S15C |
| Minimum Vf | 30.5            | 30.5   | 30.5   |
| Maximum Vf | 36.2            | 36.2   | 36.2   |
| Current mA | 350             | 350    | 350    |
| Wattage W  | 15              | 15     | 15     |

# 2 SERIES LED INT ADJUSTABLE

## PERFORMANCE - 3000K

| CRI / WATTAGE PACKAGE  | WATTAGE | ADJUSTABLE - 20° OPTIC - SOFT FOCUS LENS |     |           |     |           |     |
|------------------------|---------|--|-----|-----------|-----|-----------|-----|
|                        |         | 2RA                                      |     | 2PA       |     | 2SA       |     |
|                        |         | DELIVERED                                | LPW | DELIVERED | LPW | DELIVERED | LPW |
| 80S06A                 | 6       | 670                                      | 112 | 544       | 91  | 603       | 100 |
| 80S11A                 | 11      | 1076                                     | 98  | 886       | 80  | 1011      | 92  |
| 80S15A                 | 15      | 1471                                     | 98  | 1194      | 80  | 1386      | 92  |
| 80S21A                 | 21      | 1974                                     | 94  | 1624      | 77  | 1856      | 88  |
| 90S06A                 | 6       | 578                                      | 96  | 469       | 78  | 520       | 87  |
| 90S11A                 | 11      | 928                                      | 84  | 764       | 69  | 872       | 79  |
| 90S15A                 | 15      | 1268                                     | 84  | 1029      | 69  | 1195      | 80  |
| 90S21A                 | 21      | 1702                                     | 81  | 1400      | 67  | 1600      | 76  |
| 97S06A                 | 6       | 509                                      | 85  | 413       | 69  | 458       | 76  |
| 97S11A                 | 11      | 817                                      | 74  | 672       | 61  | 767       | 70  |
| 97S15A                 | 15      | 1116                                     | 74  | 905       | 60  | 1052      | 70  |
| 97S21A                 | 21      | 1498                                     | 71  | 1232      | 59  | 1408      | 67  |
| 90W11AWL (2700K-1800K) | 11      | 656                                      | 60  | 566       | 51  | 590       | 54  |
| 90W11AWD (3000K-1800K) | 11      | 645                                      | 59  | 540       | 49  | 581       | 53  |
| 90W15AWL (2700K-1800K) | 15      | 917                                      | 69  | 791       | 53  | 862       | 57  |
| 90W15AWD (3000K-1800K) | 15      | 904                                      | 60  | 756       | 50  | 850       | 57  |
| 90T17ATR (4000K-1800K) | 17      | 1067                                     | 57  | 908       | 54  | 960       | 56  |
| 90T17ATH (5000K-2700K) | 17      | 1049                                     | 60  | 900       | 53  | 944       | 56  |

| CRI / WATTAGE PACKAGE | WATTAGE | ADJUSTABLE - 10° OPTIC - SOFT FOCUS LENS |     |           |     |           |     |
|-----------------------|---------|--|-----|-----------|-----|-----------|-----|
|                       |         | 2RA                                      |     | 2PA       |     | 2SA       |     |
|                       |         | DELIVERED                                | LPW | DELIVERED | LPW | DELIVERED | LPW |
| 80S15C                | 15      | 491                                      | 33  | 415       | 28  | 453       | 30  |
| 90S15C                | 15      | 423                                      | 28  | 358       | 24  | 390       | 26  |
| 97S15C                | 15      | 365                                      | 24  | 309       | 21  | 337       | 22  |

### OUTPUT MULTIPLIER

| CCT   | CCT SCALE |
|-------|-----------|
| 2400K | 0.76      |
| 2700K | 0.97      |
| 3000K | 1.000     |
| 3500K | 1.03      |
| 4000K | 1.08      |

### MEDIA LIGHT LOSS FACTOR

| MEDIA   | LIGHT LOSS FACTOR |
|---------|-------------------|
| NO LENS | 1.15              |
| CGL     | 1.03              |
| SFL     | 1.00              |
| FGL     | 0.79              |
| FSFL    | 0.70              |
| FSL     | 0.70              |
| HCL     | 0.81              |

### TUNABLE WHITE MULTIPLIER

| CCT   | 5000K-2700K | 4000K-1800K |
|-------|-------------|-------------|
| 5000K | 1.16        | -           |
| 4000K | 1.08        | 1.14        |
| 3500K | 1.04        | 1.07        |
| 3000K | 1.00        | 1.00        |
| 2700K | 0.96        | 0.92        |
| 2400K | -           | 0.84        |
| 1800K | -           | 0.69        |

| 10° OPTIC SOFT FOCUS LENS | 20° OPTIC SOFT FOCUS LENS | 25° OPTIC SOFT FOCUS LENS | 40° OPTIC SOFT FOCUS LENS | 60° OPTIC SOFT FOCUS LENS |
|---------------------------|---------------------------|---------------------------|---------------------------|---------------------------|
| <13                       | <13                       | <13                       | <13                       | <13                       |

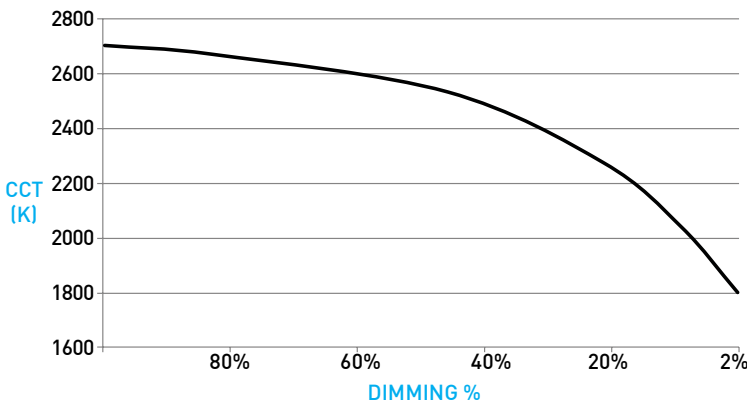
**Part L** 75+ LPW configurations comply with residential Part L  
95+ LPW configurations comply with commercial Part L

## WARM DIM PERFORMANCE - 20° OPTIC - SOFT FOCUS LENS

### INCANDESCENT PROFILE

| 90W15AL 2700K - 1800K | Full on 100% | Dimmed to 80% | Dimmed to 70% | Dimmed to 50% | Dimmed to 20% | Dimmed to 10% | Dimmed to 2% |
|-----------------------|--------------|---------------|---------------|---------------|---------------|---------------|--------------|
| CCT (K)               | 2700         | 2650          | 2625          | 2550          | 2200          | 1900          | 1800         |
| Light Output (Lm)     | 656          | 525           | 459           | 328           | 131           | 66            | 13           |
| Power (W)             | 11           | 9             | 8             | 6             | 2.2           | 1.1           | 0.2          |
| Efficacy (LPW)        | 59           | 59            | 59            | 59            | 59            | 59            | 59           |

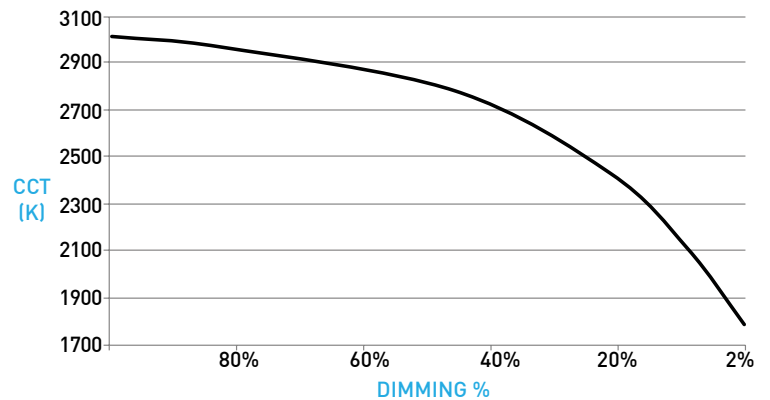
| 90W15AL 2700K - 1800K | Full on 100% | Dimmed to 80% | Dimmed to 70% | Dimmed to 50% | Dimmed to 20% | Dimmed to 10% | Dimmed to 2% |
|-----------------------|--------------|---------------|---------------|---------------|---------------|---------------|--------------|
| CCT (K)               | 2700         | 2650          | 2625          | 2550          | 2200          | 1900          | 1800         |
| Light Output (Lm)     | 917          | 734           | 642           | 459           | 184           | 92            | 18           |
| Power (W)             | 14           | 11            | 10            | 7             | 3             | 1.5           | 0.3          |
| Efficacy (LPW)        | 64           | 64            | 64            | 64            | 64            | 64            | 64           |



### HALOGEN PROFILE

| 90W15AD 3000K - 1800K | Full on 100% | Dimmed to 80% | Dimmed to 70% | Dimmed to 50% | Dimmed to 20% | Dimmed to 10% | Dimmed to 2% |
|-----------------------|--------------|---------------|---------------|---------------|---------------|---------------|--------------|
| CCT (K)               | 3000         | 2950          | 2920          | 2775          | 2375          | 2000          | 1800         |
| Light Output (Lm)     | 645          | 516           | 452           | 323           | 129           | 65            | 13           |
| Power (W)             | 11           | 9             | 8             | 6             | 2.2           | 1.1           | 0.2          |
| Efficacy (LPW)        | 58           | 58            | 58            | 58            | 58            | 58            | 58           |

| 90W15AD 3000K - 1800K | Full on 100% | Dimmed to 80% | Dimmed to 70% | Dimmed to 50% | Dimmed to 20% | Dimmed to 10% | Dimmed to 2% |
|-----------------------|--------------|---------------|---------------|---------------|---------------|---------------|--------------|
| CCT (K)               | 3000         | 2950          | 2920          | 2775          | 2375          | 2000          | 1800         |
| Light Output (Lm)     | 904          | 723           | 632           | 457           | 180           | 90            | 18           |
| Power (W)             | 14           | 11            | 10            | 7             | 3             | 1.5           | 0.3          |
| Efficacy (LPW)        | 65           | 65            | 65            | 65            | 65            | 65            | 65           |



# 2 SERIES LED INT ADJUSTABLE

## DOWNLIGHT FITTING

Hot-aim adjustment from below up to 45° tilt and 357° rotation, faceplate conceals adjustment mechanisms.

- A ADJUSTABLE YOKE**  
Adjustable yoke allows for quick exchange of optics and media. Accommodates up to 2 media; add 4.1mm to fitting height with use of each media.
- B OPTICS**  
Robust light engine with optimized optic pairing integrates Reflection, Refraction, and TIR offering 10°, 15°, 20°, 25°, 40° & 60° beams. 10° field reducer included with 10° optic.
- C TILT GUIDE**  
Features adjustment angles and allows for pre-aiming prior to insertion of fitting.
- D MEDIA**  
Soft Focus Lens standard; media must be specified. Lens is sealed in aperture in IP64 Wet location fitting. Secondary media available.
- E FITTING PLATE**  
Features removable faceplate providing access to adjustment mechanisms. Rare Earth magnets secure faceplate firmly to fitting mechanism and do not degrade over time.
  - IP10 Dry / Damp Location: Thickness measures 1.5mm
  - IP64 Wet Location: Sealed aperture and integral silicone gasket. 4.3mm return, installed as flange overlay only.
- F DOWNLIGHT FITTING ADAPTER**  
Included with fitting and required for installation. Uses (2) #6-32 flat-head screws with varying lengths to accommodate ceiling depth. Installed after ceiling is complete. Requires 92mm diameter cutout for flange overlay applications.
- F1 RETENTION**  
Integral ball plungers correspond to trim adapter ensuring snug fit against finished ceiling.

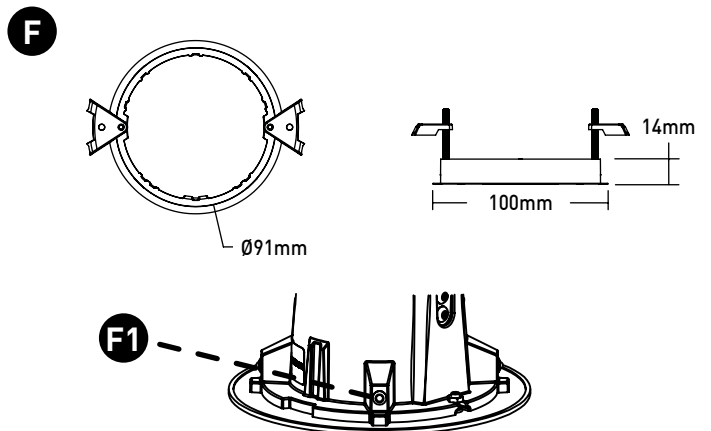
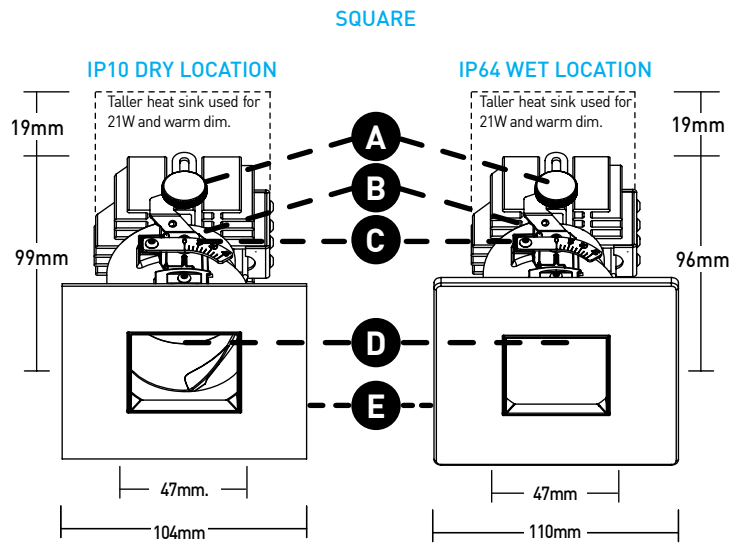
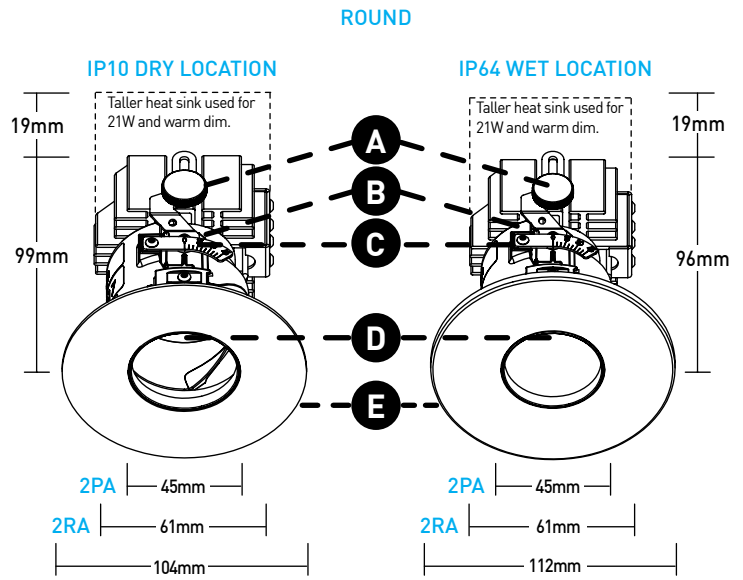
## TILT CHART

Chart references abbreviated ceiling thickness and use of 1 media.

| CEILING THICKNESS | 13mm<br>"-0" collar | 19mm<br>"-1" collar | 25mm<br>"-2" collar | 32mm<br>"-2" collar |
|-------------------|---------------------|---------------------|---------------------|---------------------|
| Low Flux          | 45°                 | 45°                 | 45°                 | 38°                 |
| High Flux         | 45°                 | 45°                 | 45°                 | 45°                 |

| CEILING THICKNESS | 38mm<br>"-3" collar | 51mm<br>"-3" collar | 70mm<br>"-4" collar | 76mm<br>"-4" collar |
|-------------------|---------------------|---------------------|---------------------|---------------------|
| Low Flux          | 32°                 | 18°                 | 8°                  | 6°                  |
| High Flux         | 38°                 | 25°                 | 13°                 | 6°                  |

## DIMENSIONS / DRAWINGS



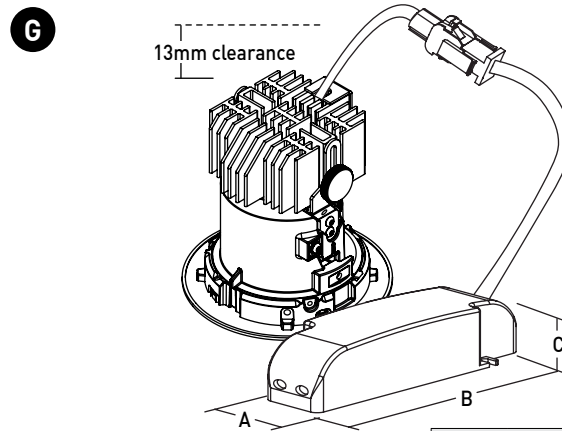
# 2 SERIES LED INT ADJUSTABLE

## POWER SUPPLY

### G FITTING WITH TETHERED POWER SUPPLY

- Requires 113mm diameter cutout.
- Tethered power supply protected wiring and quick-connect plug between fitting and power supply.
- Minimum 13mm clearance from top of fitting.
- Minimum setback from combustible and non-combustible materials of 168mm radius from fitting centerline; minimum 76mm from surfaces of power supply if not situated within above noted radius from fitting centerline.
- Minimum additional 76mm setback from insulation material with max R-Value 30 from any surface of fitting assembly.
- Minimum additional 152mm setback from polycell spray foam insulation with max R-Value 60 from any surface of fitting assembly.
- Consult factory for spacing requirements for any installations exceeding R-Value 60.
- Do not install in environments where ambient temperatures exceed 40°C (104°F).

## DIMENSIONS / DRAWINGS



| POWER SUPPLY DIMENSIONS |      |       |      |
|-------------------------|------|-------|------|
| Model                   | A    | B     | C    |
| AN3                     |      |       |      |
| LN1                     | 41mm | 210mm | 34mm |
| EA1                     |      |       |      |
| LA1                     |      |       |      |
| ED1                     | 76mm | 152mm | 31mm |
| LD1                     |      |       |      |

## ZERO-SIGHTLINE INSTALLATIONS

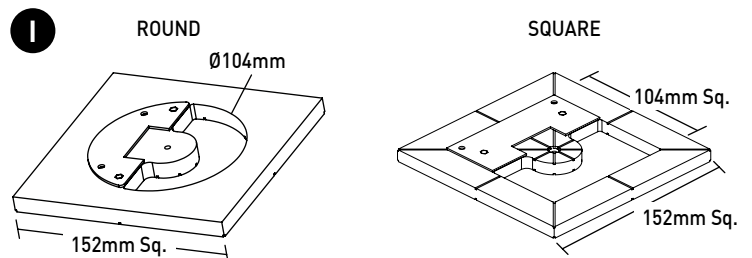
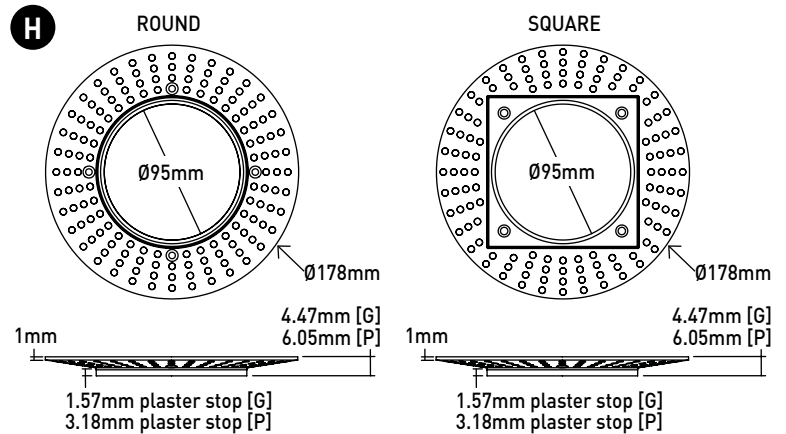
Fixture regresses flush with the finished ceiling plane when installed according to manufacturer instructions and finished ceiling conditions are met. Consult 2-Series Installation Guidelines for appropriate ceiling cutouts and instructions for proper Zero-Sightline installations.

### APPLIQUÉ

- Specified on Flange Configuration and ships with housing; ships separately on remodel installations.
- For use in sheetrock ceiling applications.
  - 1.57mm Appliqué (G Flange Configuration) recommended for gypsum ceiling installations and has plaster stop thickness of 1.57mm. Recommended for painted ceiling applications.
  - 3.18mm Appliqué (P Flange Configuration) offers double thick plaster stop of 3.18mm where a heavier application of mud is preferred. Recommended for colorfast and venetian plaster applications. Not recommended for stucco applications.

### ROUTER TOOL GUIDE

- Specified separately and used with Flange Overlay configurations.
- For use in wood ceiling applications.
- **DLA-RTG-2S-RD** or **DLA-RTG-2S-SQ** required for wood Zero-Sightline ceiling installations.
- Router tool guide is reusable and suitable for multiple fittings.



# 2 SERIES LED INT ADJUSTABLE

## TECHNICAL INFORMATION

### CONSTRUCTION

**Downlight Fitting:** Steel and aluminum; extruded aluminum heat-sink; painted finishes are granulated powder coat. 304 corrosion resistant stainless steel faceplate for wet location fittings.

**Downlight Fitting Adapter:** High-impact composite and stainless steel.

**Appliqué:** Zinc alloy.

### LED

2-step MacAdam ellipse LED module available in 80+, 90+ and 97+ CRI configurations in color temperatures of 2700K, 3000K, 3500K and 4000K. 3-step MacAdam ellipse LED module available in 90+ CRI configuration in color temperatures of 2400K. Average rated lamp life of 50,000 hours. LED and driver assemblies are field-replaceable.

### WARM DIM LED

3-step MacAdam ellipse warm dim LED module available in 90+ CRI configuration. 3000K or 2700K at full brightness, warming to 1800K at full dim. Average rated lamp life of 50,000 hours. LED and driver assemblies are field-replaceable.

### TUNABLE WHITE LED

3-step MacAdam ellipse tunable white LED module available in 90+ CRI configuration. Features tuning range of 2700K to 5000K and 1800K to 4000K. Average rated lamp life of 50,000 hours. Driver assemblies are field-replaceable.

### POWER SUPPLY PERFORMANCE AND DIMMING INFORMATION

| Power Supply | 0-10V  |        |        |        | DALI-2 |        |        |
|--------------|--------|--------|--------|--------|--------|--------|--------|
|              | EA1    | LA1    | AN3    | LN1    | ED1    | LD1    | DD1    |
| Minimum °C   | -20 °C | -20 °C | -20 °C | -20 °C | -20 °C | -20 °C | -20 °C |
| Maximum °C   | 40 °C  | 40 °C  | 40 °C  | 40 °C  | 40 °C  | 40 °C  | 40 °C  |
| Dimming %    | 0.1%   | 0.1%   | 1.0%   | 1.0%   | 0.1%   | 0.1%   | 0.1%   |

Note: For EA1 and LA1 drivers consult chart on page 7 to confirm appropriate dimming curve for compatibility with selected control.

### LISTING

CE Listed for IP10 Dry / Damp and IP64 Wet locations.

### DECLARE

LBC Red List Approved.

### PART L

Part L compliant for all 75+ LPW residential and 95+ LPW commercial configurations.

### WEIGHT

Fitting - 1.6 lbs max

Driver - 0.4 lbs

### LIMITED WARRANTY

Manufacturer's Limited Warranty guarantees product(s) listed to be free from defects in material and workmanship under normal use and service for 1-year. LED and power supplies are warranted to operate with 70% of original flux and remain within a range of 3 duv for a period of 5-years.

10-year Lutron Advantage limited warranty available on Lutron equipped systems. Warranty period begins from the date of shipment by Seller.

[Consult website for full warranty terms and conditions.](#)

### CHANGE LOG

- 01/12/2021: ADDED 2200K, 2700K-1800K WARM DIM AND 10 DEGREE OPTIC OFFERINGS.
- 10/08/2019: NEW CONSOLIDATED SPEC SHEETS WITH SINGLE NOMENCLATURE FOR SPECIFICATION.
- 10/17/2022: REMOVED 90WA13H 3200K-1800K WARM DIM AND ADDED 90WA12H 3000K-1800K WARM DIM.
- 08/08/2023: UPDATED WITH NEW LED AND OPTIC SYSTEM.
- 02/07/2024: ADDED 2400K, LOW WATTAGE, AND TUNABLE WHITE OFFERINGS.
- 2/15/2024: PART L COMPLIANCE ADDED
- 3/15/2024: ADDED 10 DEGREE FIELD REDUCER, UPDATED 10 DEGREE PERFORMANCE DATA



# 2 SERIES LED INT ADJUSTABLE

## DIMMING COMPATIBILITY

### eldoLED DRIVER COMPATIBILITY

| Power supply EA1 / LA1<br>Dimmer / Switch Control<br>Manufacturer | Family/Model #                 |
|---|--------------------------------|
| Busch-Jaeger  | 2112U-101                      |
| Jung  | 240-10                         |
| Leviton Lighting Controls   | IP710-DLX                      |
| Lightolier Controls   | ZP600FAM120                    |
| Lutron Electronics  | Nova T® - NTFTV                |
| Lutron Electronics  | Diva® - DVTV                   |
| Lutron Electronics  | Nova® - NFTV                   |
| Merten  | 5729                           |
| Pass & Seymour  | CD4FB-W                        |
| The Watt Stopper  | DCLV1                          |
| Sensor Switch   | nI0 EZ                         |
| Synergy   | ISD BC                         |
| Power supply EA1 / LA1<br>Lighting Control Systems                | Family/Model #                 |
| Lutron Electronics  | GrafixEye® GRX-TVI w GRX3503   |
| Lutron Electronics  | Energy Savr Node™ - QSN-4T16-S |
| Lutron Electronics  | TVM2 Module                    |
| Crestron®   | GLX-DIMFLV8                    |
| Crestron®   | GLXP-DIMFLV8                   |
| Crestron®   | GLPAC-DIMFLV4-*                |
| Crestron®   | GLPAC-DIMFLV8-*                |
| Crestron®   | GLPP-DIMFLVEX-PM               |
| Crestron®   | GLPP-1DIMFLV2EX-PM             |
| Crestron®   | GLPP-1DIMFLV3EX-PM             |
| Crestron®   | DIN-A08                        |
| Crestron®   | DIN-4DIMFLV4                   |
| Crestron®   | CLS-EXP-DIMFLV                 |
| Crestron®   | CLCI-1DIMFLV2EX                |
| ABB   | SD/S 2.16.1                    |