

# 2 SERIES LED INT

## DEEP REGRESS

High-output, low profile, and infinite adjustment -- these small aperture downlights make elegant design statements in discerning residential, retail, and hospitality environments.

PROJECT NAME:	TYPE:
---------------	-------



### ORDERING INFORMATION

FITTING	RATING	FLANGE FINISH	CRI / WATTAGE PACKAGE	CCT	OPTIC (UGR)	INSTALL TYPE	CEILING THICKNESS	POWER SUPPLY	MEDIA	FLANGE CONFIGURATION	
						EX					
2RD Round Expanded Deep 2PD Round Pinhole Deep 2SD Square Expanded Deep	1 IP20 Dry/Damp 2 IP64 Wet* *(Lens sealed in place)	WH White	<b>LOW FLUX STATIC WHITE</b>	24 2400K* *(90+CRI only, 15W max)	10 10° (<13)	EX Export	0 3mm-13mm 1 13mm-20mm 2 20mm-32mm 3 32mm-51mm 4 51mm-76mm	(120-277V) AN3 eldoLED, ECOdrive 1.0% 0-10V, LOG	<b>Standard Media</b> 04 Soft Focus Lens *(Required for 10° optic)	F Flange Overlay (No Applique) G Zero Sightline Gypsum (1.57mm Applique)* *(Not available for IP64 wet location) P Zero Sightline Plaster (3.18mm Applique)* *(Not available for IP64 wet location)	
		AG Satin Silver	80S06A 80+ CRI, 6 Watts (Delivered - 2RD/2SD 677, 2PD 615)	27 2700K	15 15° (<13)					<b>Alternate Media</b> NL No Lens* *(Not available for wet location or Warm Dim) 02 Honeycomb Louver* *(Not available for wet location or Warm Dim) 03 Clear Glass Lens* *(Not available for Warm Dim) 05 Frosted Glass Lens 09 Ultra Violet Lens 11 Shatterproof Soft Focus Lens 12 Shatterproof Frosted Lens 26 Frosted Linear Spread Lens* *(Not available for wet location)	
		IG Industrial Gray	80S11A 80+ CRI, 11 Watts (Delivered - 2RD/2SD 1109, 2PD 998)	30 3000K	20 20° (<13)						
		AU Cashmere Gold	80S15A 80+ CRI, 15 Watts (Delivered - 2RD/2SD 1486, 2PD 1349)	35 3500K	25 25° (<13)						
		AB Arch Bronze	90S06A 90+ CRI, 6 Watts (Delivered - 2RD/2SD 584, 2PD 530)	40 4000K	40 40° (<13)						
		BB Burnt Bronze	90S11A 90+ CRI, 11 Watts (Delivered - 2RD/2SD 956, 2PD 860)		60 60° (<13)						
		BK Black	90S15A 90+ CRI, 15 Watts (Delivered - 2RD/2SD 1281, 2PD 1163)								
		SS Stainless Steel*	97S06A 97+ CRI, 6 Watts (Delivered - 2RD/2SD 514, 2PD 466)								
		CH Chrome*	97S11A 97+ CRI, 11 Watts (Delivered - 2RD/2SD 841, 2PD 757)								
		MB Matte Bronze*	97S15A 97+ CRI, 15 Watts (Delivered - 2RD/2SD 1127, 2PD 1023)								
		PB Polished Bronze*	<b>HIGH FLUX STATIC WHITE</b>	80S21A 80+ CRI, 21 Watts (Delivered - 2RD/2SD 2025, 2PD 1828)							
		PR Primer	90S21A 90+ CRI, 21 Watts (Delivered - 2RD/2SD 1746, 2PD 1576)								
CF Custom*	97S21A 97+ CRI, 21 Watts (Delivered - 2RD/2SD 1536, 2PD 1387)										
FINISH IMAGES ON PAGE 2											
<b>WARM DIM</b>											
		90W11A 90+ CRI, 11 Watts Incandescent Profile: 2700K - 1800K (Delivered - 2RD/2SD 686, 2PD 613)	WL 2700K - 1800K	20 20° (<13) 25 25° (<13) 40 40° (<13) 60 60° (<13)							
		Halogen Profile: 3000K - 1800K (Delivered - 2RD/2SD 688, 2PD 628)	WD 3000K - 1800K								
		90W15A 90+ CRI, 15 Watts Incandescent Profile: 2700K - 1800K (Delivered - 2RD/2SD 915, 2PD 857)	WL 2700K - 1800K								
		Halogen Profile: 3000K - 1800K (Delivered - 2RD/2SD 943, 2PD 879) *SEE PAGE 3 FOR DETAILED WARM DIM PROFILE COMPARISON.	WD 3000K - 1800K								
<b>TUNABLE WHITE</b>											
		90T17A 90+ CRI, 17 Watts, Warm Profile: 4000K - 1800K (Delivered - 2RD 1222, 2PD 1052, 2SD 1100)	TR 4000K - 1800K	15 15° (<13) 20 20° (<13) 25 25° (<13) 40 40° (<13) 60 60° (<13)							
		Cool Profile: 5000K - 2700K (Delivered - 2RD 1058, 2PD 1043, 2SD 952)	TH 5000K - 2700K								
*ALL DELIVERED LUMEN OUTPUTS REFLECT 3000K PAIRED WITH 20° OPTIC AND SOFT FOCUS LENS.											

### PART NUMBER NOTES

- Fittings ships as e.g., 2RD1-WH-80S15A2-2EX1-AN304
- Driver ships with fitting
- Applique ships with fitting



# 2 SERIES LED INT DEEP REGRESS

## ACCESSORIES

### ALTERNATE MEDIA

**HCL-2** Honeycomb Louver\*

\*(Not available for IP64 wet location or Warm Dim)

**CGL-2** Clear Glass Lens\*

\*(Not available for Warm Dim)

**SFL-2** Soft Focus Lens

**FGL-2** Frosted Glass Lens

**UVL-2** Ultra Violet Lens

**FLSL-2** Frosted Linear Spread Lens\*

\*(Not available for IP64 wet location)

**SFL-2-SP** Shatterproof Soft Focus Lens

**FGL-2-SP** Shatterproof Frosted Lens

### STATIC WHITE REPLACEMENT OPTICS

**RO-50-15-S** 15° optic

**RO-50-20-S** 20° optic

**RO-50-25-S** 25° optic

**RO-50-40-S** 40° optic

**RO-50-60-S** 60° optic\*

\*(Not recommended for 2PA)

### WARM DIM REPLACEMENT OPTICS

**RO-50-20-W** 20° optic

**RO-50-25-W** 25° optic

**RO-50-40-W** 40° optic

**RO-50-60-W** 60° optic\*

\*(Not recommended for 2PA)

### TUNABLE WHITE REPLACEMENT OPTICS

**RO-50-15-T** 15° optic

**RO-50-20-T** 20° optic

**RO-50-25-T** 25° optic

**RO-50-40-T** 40° optic

**RO-50-60-T** 60° optic\*

\*(Not recommended for 2PA)

### ROUTER TOOL GUIDE (IP10 Dry / Damp locations only)

Recommended for Zero-Sightline installations in wood ceilings.

**DLA-RTG-2S-RD** Tool, [router guide](#), round; reusable

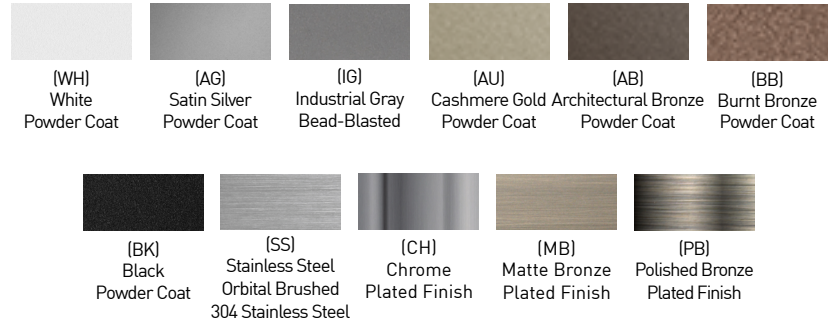
**DLA-RTG-2S-SQ** Tool, [router guide](#), square; reusable

### ADJUSTMENT TOOL

One included with every four fittings.

**TOOL-HEX-050**

## FINISHES BY LUCIFER LIGHTING™



## DRIVE CURRENT SPECIFICS

	80S				90S				97S				90W				90T	
	06A	11A	15A	21A	06A	11A	15A	21A	06A	11A	15A	21A	11AD	11AL	15AD	15AL	17AH	17AR
Minimum Vf	30.5	30.5	30.5	30.5	30.5	30.5	30.5	30.5	30.5	30.5	30.5	30.5	30.5	30.5	30.5	30.5	30.5	30.5
Maximum Vf	36.2	36.2	36.2	36.2	36.2	36.2	36.2	36.2	36.2	36.2	36.2	36.2	37.6	37.6	37.6	37.6	37.6	37.6
Current mA	150	250	350	500	150	250	350	500	150	250	350	500	250	250	350	350	400	400
Wattage W	6	11	15	21	6	11	15	21	6	11	15	21	8	8	15	15	14	14

	10 DEGREE OPTIC		
	80S15C	90S15C	97S15C
Minimum Vf	30.5	30.5	30.5
Maximum Vf	36.2	36.2	36.2
Current mA	350	350	350
Wattage W	15	15	15

# 2 SERIES LED INT DEEP REGRESS

## PERFORMANCE - 3000K

CRI / WATTAGE PACKAGE	WATTAGE	DEEP REGRESS - 20° OPTIC - SOFT FOCUS LENS					
		2RD		2PD		2SD	
		DELIVERED	LPW	DELIVERED	LPW	DELIVERED	LPW
80S06A	6	677	112	615	102	677	112
80S11A	11	1109	101	998	91	1109	101
80S15A	15	1486	99	1349	90	1486	99
80S21A	21	2025	96	1828	87	2025	96
90S06A	6	584	97	530	88	584	97
90S11A	11	956	87	860	78	956	87
90S15A	15	1281	85	1163	77	1281	85
90S21A	21	1746	83	1576	75	1746	83
97S06A	6	514	85	466	77	514	85
97S11A	11	841	76	757	69	841	76
97S15A	15	1127	75	1023	68	1127	75
97S21A	21	1536	73	1387	66	1536	73
90W11AWL (2700K-1800K)	11	654	59	613	55	654	59
90W11AWD (3000K-1800K)	11	673	61	628	57	673	61
90W15AWL (2700K-1800K)	15	915	61	857	57	915	61
90W15AWD (3000K-1800K)	15	943	63	879	59	943	63
90T17ATR (4000K-1800K)	17	1222	57	1052	62	1222	57
90T17ATH (5000K-2700K)	17	1058	54	1043	62	1058	54

CRI / WATTAGE PACKAGE	WATTAGE	DEEP REGRESS - 10° OPTIC - SOFT FOCUS LENS					
		2RD		2PD		2SD	
		DELIVERED	LPW	DELIVERED	LPW	DELIVERED	LPW
80S15C	15	585	39	483	32	587	39
90S15C	15	504	34	416	28	506	34
97S15C	15	435	29	359	24	436	29

### OUTPUT MULTIPLIER

CCT	CCT SCALE
2400K	0.76
2700K	0.97
3000K	1.000
3500K	1.03
4000K	1.08

### MEDIA LIGHT LOSS FACTOR

MEDIA	LIGHT LOSS FACTOR
NO LENS	1.08
CGL	1.02
SFL	1.00
FGL	0.85
FSFL	0.76
FLSL	0.73
HCL	0.74

### TUNABLE WHITE MULTIPLIER

CCT	5000K-2700K	4000K-1800K
5000K	1.16	-
4000K	1.08	1.14
3500K	1.04	1.07
3000K	1.00	1.00
2700K	0.96	0.92
2400K	-	0.84
1800K	-	0.69

### UNIFIED GLARE RATING

10° OPTIC SOFT FOCUS LENS	20° OPTIC SOFT FOCUS LENS	25° OPTIC SOFT FOCUS LENS	40° OPTIC SOFT FOCUS LENS	60° OPTIC SOFT FOCUS LENS
<13	<13	<13	<13	<13

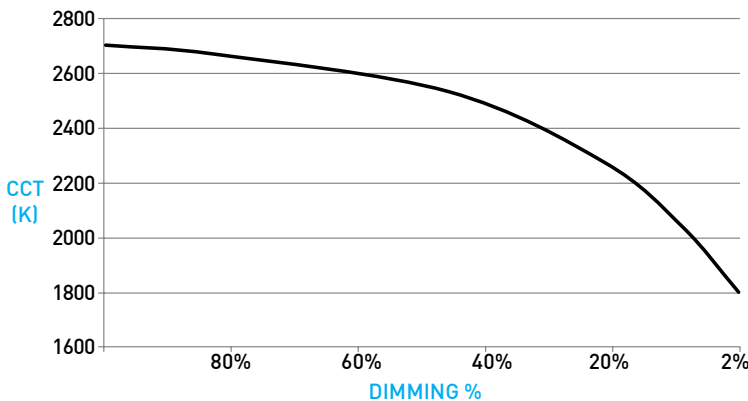
**Part L** 75+ LPW configurations comply with residential Part L  
95+ LPW configurations comply with commercial Part L

## WARM DIM PERFORMANCE - 20° OPTIC - SOFT FOCUS LENS

### INCANDESCENT PROFILE

90W11AL 2700K - 1800K	Full on 100%	Dimmed to 80%	Dimmed to 70%	Dimmed to 50%	Dimmed to 20%	Dimmed to 10%	Dimmed to 2%
CCT (K)	2700	2650	2625	2550	2200	1900	1800
Light Output (Lm)	654	523	458	327	131	65	13
Power (W)	11	9	8	6	2.2	1.1	.2
Efficacy (LPW)	59	59	59	59	59	59	59

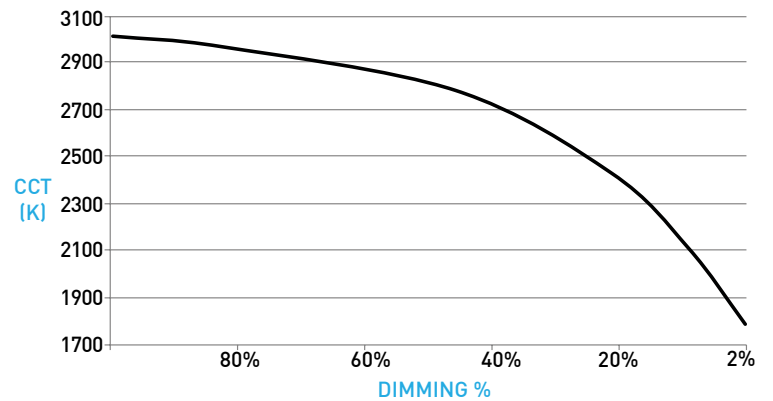
90W15AL 2700K - 1800K	Full on 100%	Dimmed to 80%	Dimmed to 70%	Dimmed to 50%	Dimmed to 20%	Dimmed to 10%	Dimmed to 2%
CCT (K)	2700	2650	2625	2550	2200	1900	1800
Light Output (Lm)	915	732	641	458	184	92	19
Power (W)	15	12	11	8	3	1.5	0.3
Efficacy (LPW)	61	61	61	61	61	61	61



### HALOGEN PROFILE

90W11AD 3000K - 1800K	Full on 100%	Dimmed to 80%	Dimmed to 70%	Dimmed to 50%	Dimmed to 20%	Dimmed to 10%	Dimmed to 2%
CCT (K)	3000	2950	2920	2775	2375	2000	1800
Light Output (Lm)	673	538	471	337	135	67	13
Power (W)	11	9	8	6	2.2	1.1	.2
Efficacy (LPW)	61	61	61	61	61	61	61

90W15AD 3000K - 1800K	Full on 100%	Dimmed to 80%	Dimmed to 70%	Dimmed to 50%	Dimmed to 20%	Dimmed to 10%	Dimmed to 2%
CCT (K)	3000	2950	2920	2775	2375	2000	1800
Light Output (Lm)	943	754	660	472	187	94	19
Power (W)	15	12	11	8	3	1.5	0.3
Efficacy (LPW)	62	62	62	62	62	62	62



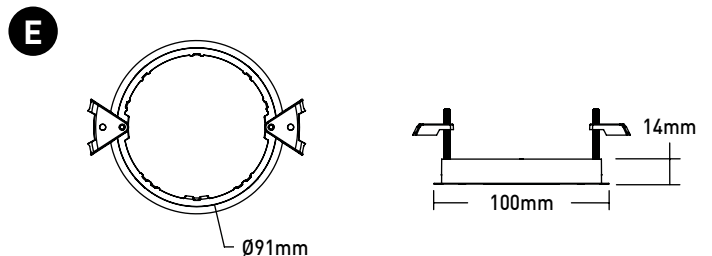
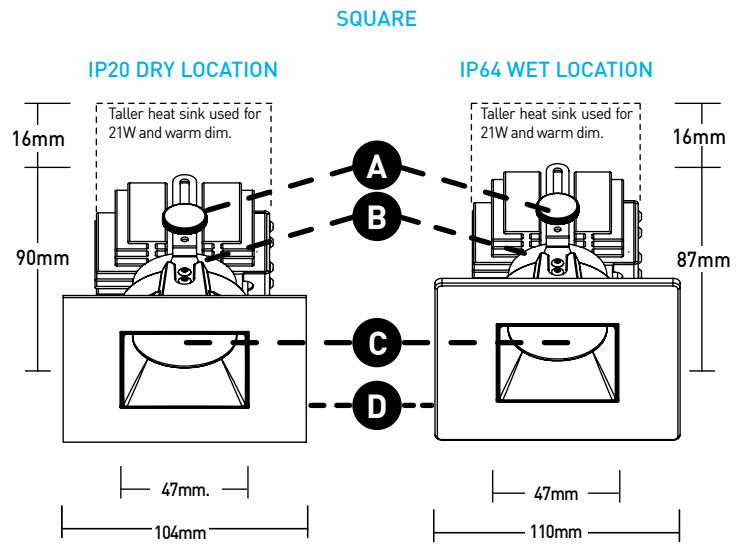
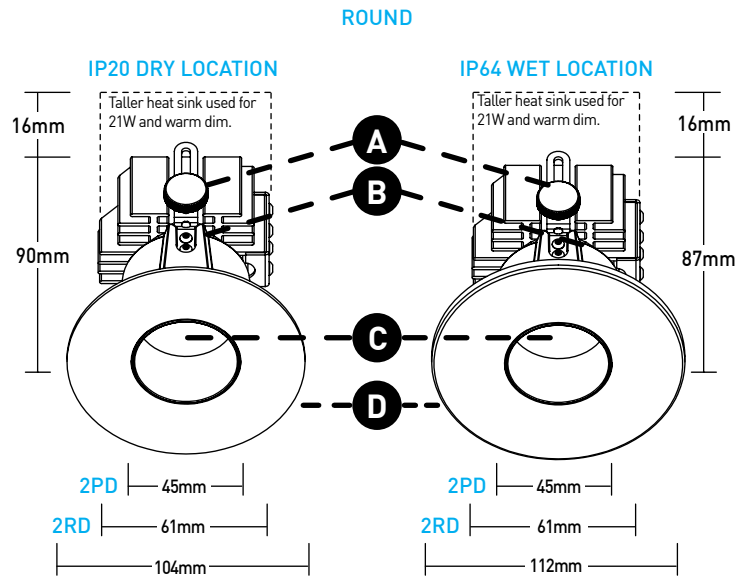
# 2 SERIES LED INT DEEP REGRESS

## DOWNLIGHT FITTING

Die-cast deep baffle minimizes aperture glare and conceals view into housing; black finish standard.

- A** **ADJUSTABLE YOKE**  
Adjustable yoke allows for quick exchange of optics and media. Accommodates up to 2 media; add 4.1mm to fitting height with use of each media.
- B** **OPTICS**  
Robust light engine with optimized optic pairing integrates Reflection, Refraction, and TIR offering 10°, 15°, 20°, 25°, 40° & 60° beams. 10° field reducer included with 10° optic.
- C** **MEDIA**  
Soft Focus Lens standard; media must be specified. Lens is sealed in place on Wet location fitting. Secondary media available.
- D** **FITTING PLATE**  
IP64 Wet location features integral silicone gasket.
  - IP20 Dry / Damp Location: Thickness measures 1.7mm
  - IP64 Wet Location: 3.8mm return, installed as flange overlay only.
- E** **DOWNLIGHT FITTING ADAPTER**  
Included with fitting and required for installation. Uses (2) #6-32 flat-head screws with varying lengths to accommodate ceiling depth. Installed after ceiling is complete. Requires 92mm diameter cutout for flange overlay applications.
- E1** **RETENTION**  
Engineered integral ball plungers correspond to fitting adapter ensuring snug fit against finished ceiling.

## DIMENSIONS / DRAWINGS



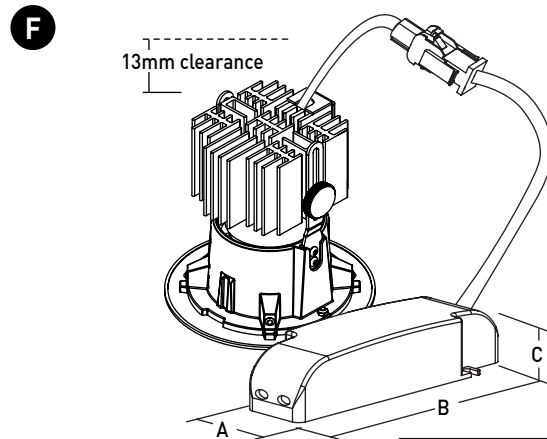
# 2 SERIES LED INT DEEP REGRESS

## POWER SUPPLY

### F FITTING WITH TETHERED POWER SUPPLY

- Requires 113mm diameter cutout.
- Tethered power supply protected wiring and quick-connect plug between fitting and power supply.
- Minimum 13mm clearance from top of fitting.
- Minimum setback from combustible and non-combustible materials of 168mm radius from fitting centerline; minimum 76mm from surfaces of power supply if not situated within above noted radius from fitting centerline.
- Minimum additional 76mm setback from insulation material with max R-Value 30 from any surface of fitting assembly.
- Minimum additional 152mm setback from polycell spray foam insulation with max R-Value 60 from any surface of fitting assembly.
- Consult factory for spacing requirements for any installations exceeding R-Value 60.
- Do not install in environments where ambient temperatures exceed 40°C (104°F).

## DIMENSIONS / DRAWINGS



POWER SUPPLY DIMENSIONS			
Model	A	B	C
AN3	41mm	210mm	34mm
LN1			
EA1			
LA1			
ED1	76mm	152mm	31mm
LD1			

## ZERO-SIGHTLINE INSTALLATIONS

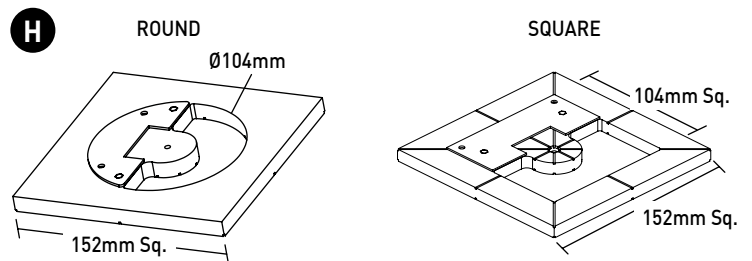
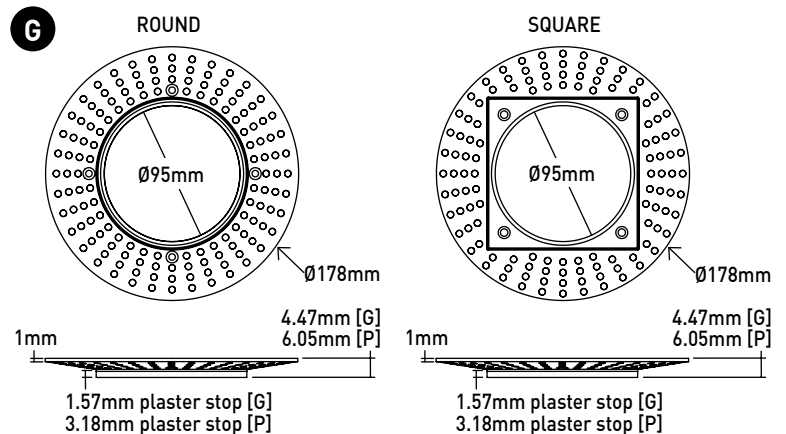
Fixture regresses flush with the finished ceiling plane when installed according to manufacturer instructions and finished ceiling conditions are met. Consult 2-Series Installation Guidelines for appropriate ceiling cutouts and instructions for proper Zero-Sightline installations.

### APPLIQUÉ

- Specified on Flange Configuration and ships with housing; ships separately on remodel installations.
- For use in sheetrock ceiling applications.
  - 1.57mm Appliqué [G Flange Configuration] recommended for gypsum ceiling installations and has plaster stop thickness of 1.57mm.
  - Recommended for painted ceiling applications.
  - 3.18mm Appliqué [P Flange Configuration] offers double thick plaster stop of 3.18mm where a heavier application of mud is preferred. Recommended for colorfast and venetian plaster applications.
- Not recommended for stucco applications.

### ROUTER TOOL GUIDE

- Specified separately and used with Flange Overlay configurations.
- For use in wood ceiling applications.
- **DLA-RTG-2S-RD** or **DLA-RTG-2S-SQ** required for wood Zero-Sightline ceiling installations.
- Router tool guide is reusable and suitable for multiple fittings.



# 2 SERIES LED INT DEEP REGRESS

## TECHNICAL INFORMATION

### CONSTRUCTION

**Downlight Fitting:** Steel and aluminum; extruded aluminum heat-sink; painted finishes are granulated powder coat. 304 corrosion resistant stainless steel faceplate for wet location fittings.

**Downlight Fitting Adapter:** High-impact composite and stainless steel.

**Appliqué:** Zinc alloy.

### LED

2-step MacAdam ellipse LED module available in 80+, 90+ and 97+ CRI configurations in color temperatures of 2700K, 3000K, 3500K and 4000K. 3-step MacAdam ellipse LED module available in 90+ CRI configuration in color temperatures of 2400K. Average rated lamp life of 50,000 hours. LED and driver assemblies are field-replaceable.

### WARM DIM LED

3-step MacAdam ellipse warm dim LED module available in 90+ CRI configuration. 3000K or 2700K at full brightness, warming to 1800K at full dim. Average rated lamp life of 50,000 hours. LED and driver assemblies are field-replaceable.

### TUNABLE WHITE LED

3-step MacAdam ellipse tunable white LED module available in 90+ CRI configuration. Features tuning range of 2700K to 5000K and 1800K to 4000K. Average rated lamp life of 50,000 hours. Driver assemblies are field-replaceable.

### POWER SUPPLY PERFORMANCE AND DIMMING INFORMATION

Power Supply	0-10V				DALI-2		
	EA1	LA1	AN3	LN1	ED1	LD1	DD1
Minimum °C	-20 °C	-20 °C	-20 °C	-20 °C	-20 °C	-20 °C	-20 °C
Maximum °C	40 °C	40 °C	40 °C	40 °C	40 °C	40 °C	40 °C
Dimming %	0.1%	0.1%	1.0%	1.0%	0.1%	0.1%	0.1%

Note: For EA1 and LA1 drivers consult chart on page 7 to confirm appropriate dimming curve for compatibility with selected control.

### LISTING

CE Listed for IP20 Dry / Damp and IP64 Wet locations.

### DECLARE

LBC Red List Approved.

### PART L

Part L compliant for all 75+ LPW residential and 95+ LPW commercial configurations.

### WEIGHT

Fitting - 1.4 lbs max

Driver - 0.4 lbs

### LIMITED WARRANTY

Manufacturer's Limited Warranty guarantees product(s) listed to be free from defects in material and workmanship under normal use and service for 1-year. LED and power supplies are warranted to operate with 70% of original flux and remain within a range of 3 duv for a period of 5-years.

10-year Lutron Advantage limited warranty available on Lutron equipped systems. Warranty period begins from the date of shipment by Seller.

[Consult website for full warranty terms and conditions.](#)

### CHANGE LOG

- 01/12/2021: ADDED 2200K, 2700K-1800K WARM DIM AND 10 DEGREE OPTIC OFFERINGS.
- 10/08/2019: NEW CONSOLIDATED SPEC SHEETS WITH SINGLE NOMENCLATURE FOR SPECIFICATION.
- 10/17/2022: REMOVED 90WA13H 3200K-1800K WARM DIM AND ADDED 90WA12H 3000K-1800K WARM DIM.
- 08/08/2023: UPDATED WITH NEW LED AND OPTIC SYSTEM.
- 02/07/2024: ADDED 2400K, LOW WATTAGE, AND TUNABLE WHITE OFFERINGS.
- 2/15/2024: PART L COMPLIANCE ADDED
- 3/15/2024: ADDED 10 DEGREE FIELD REDUCER, UPDATED 10 DEGREE PERFORMANCE DATA



# 2 SERIES LED INT DEEP REGRESS

## DIMMING COMPATIBILITY

### eldoLED DRIVER COMPATIBILITY

Power supply EA1 / LA1 Dimmer / Switch Control Manufacturer	Family/Model #
Busch-Jaeger	2112U-101
Jung	240-10
Leviton Lighting Controls	IP710-DLX
Lightolier Controls	ZP600FAM120
Lutron Electronics	Nova T® - NTFTV
Lutron Electronics	Diva® - DVTV
Lutron Electronics	Nova® - NFTV
Merten	5729
Pass & Seymour	CD4FB-W
The Watt Stopper	DCLV1
Sensor Switch	nI0 EZ
Synergy	ISD BC
Power supply EA1 / LA1 Lighting Control Systems	Family/Model #
Lutron Electronics	GrafixEye® GRX-TVI w GRX3503
Lutron Electronics	Energy Savr Node™ - QSN-4T16-S
Lutron Electronics	TVM2 Module
Crestron®	GLX-DIMFLV8
Crestron®	GLXP-DIMFLV8
Crestron®	GLPAC-DIMFLV4-*
Crestron®	GLPAC-DIMFLV8-*
Crestron®	GLPP-DIMFLVEX-PM
Crestron®	GLPP-1DIMFLV2EX-PM
Crestron®	GLPP-1DIMFLV3EX-PM
Crestron®	DIN-A08
Crestron®	DIN-4DIMFLV4
Crestron®	CLS-EXP-DIMFLV
Crestron®	CLCI-1DIMFLV2EX
ABB	SD/S 2.16.1