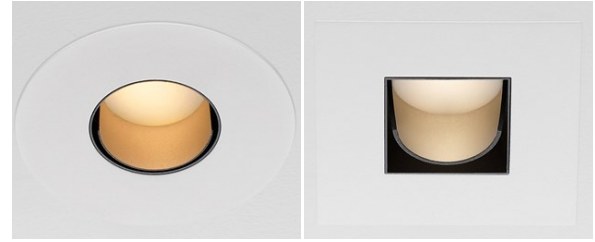


# 2 SERIES LED INT

# WALL GRAZER

High-output, low profile, and infinite adjustment -- these small aperture downlights make elegant design statements in discerning residential, retail, and hospitality environments.

PROJECT NAME:	TYPE:
---------------	-------



## ORDERING INFORMATION

FITTING	RATING	FLANGE FINISH	CRI / WATTAGE PACKAGE	CCT	OPTIC	INSTALL TYPE	CEILING THICKNESS	POWER SUPPLY	MEDIA	FLANGE CONFIGURATION	
					<b>WG</b>	<b>EX</b>			<b>GL</b>		
<b>2PG</b> Round Pinhole <b>2SG</b> Square Expanded	1 IP20 Dry / Damp 2 IP64 Wet* *(Lens sealed in place)	<b>WH</b> White <b>AG</b> Satin Silver <b>IG</b> Industrial Gray <b>AU</b> Cashmere Gold <b>AB</b> Arch Bronze <b>BB</b> Burnt Bronze <b>BK</b> Black <b>SS</b> Stainless Steel* *(Increased lead time) <b>CH</b> Chrome* *(Increased lead time) <b>MB</b> Matte Bronze* *(Increased lead time) <b>PB</b> Polished Bronze* *(Increased lead time) <b>PR</b> Primer <b>CF</b> Custom* *(Consult Factory)	<b>LOW FLUX STATIC WHITE 3.73" TALL HOUSING</b> <b>80S06A</b> 80+ CRI, 6 Watts (Delivered - 2PG 331, 2SG 389) <b>80S11A</b> 80+ CRI, 11 Watts (Delivered - 2PG 536, 2SG 628) <b>80S15A</b> 80+ CRI, 15 Watts (Delivered - 2PG 724, 2SG 856) <b>90S06A</b> 90+ CRI, 6 Watts (Delivered - 2PG 285, 2SG 335) <b>90S11A</b> 90+ CRI, 11 Watts (Delivered - 2PG 462, 2SG 541) <b>90S15A</b> 90+ CRI, 15 Watts (Delivered - 2PG 624, 2SG 738) <b>97S06A</b> 97+ CRI, 6 Watts (Delivered - 2PG 251, 2SG 295) <b>97S11A</b> 97+ CRI, 11 Watts (Delivered - 2PG 407, 2SG 476) <b>97S15A</b> 97+ CRI, 15 Watts (Delivered - 2PG 549, 2SG 649)	24 2400K* *(90+CRI only, 15W max) 27 2700K 30 3000K 35 3500K 40 4000K	<b>WG</b> Wall Grazer Optic	<b>EX</b> Export	0 3mm-13mm 1 13mm-20mm 2 20mm-32mm 3 32mm-51mm 4 51mm-76mm	<b>(120-277V)</b> <b>AN3</b> eldoLED, ECOdrive 1.0% 0-10V, LOG <b>LN1</b> eldoLED, ECOdrive 1.0% 0-10V, LIN <b>EA1</b> eldoLED, SOLOdrive 0.1% 0-10V, LOG <b>LA1</b> eldoLED, SOLOdrive 0.1% 0-10V, LIN <b>ED1</b> eldoLED, SOLOdrive 0.1% DALI-2, LOG <b>LD1</b> eldoLED, SOLOdrive 0.1% DALI-2, LIN <b>NOD</b> Driver Supplied by Others  <b>TUNABLE WHITE REMOTE (0.1%, 120-277V)</b> <b>DD1</b> eldoLED, DUALdrive DALI-2, LOG	<b>GL</b> Wall Grazer Lens	<b>F</b> Flange Overlay (No Applique) <b>G</b> Zero Sightline Gypsum (1.57mm Applique)* *(Not available for IP64 wet location) <b>P</b> Zero Sightline Plaster (3.18mm Applique)* *(Not available for IP64 wet location)	
				<b>HIGH FLUX STATIC WHITE 6.5" TALL HOUSING</b> <b>80S21A</b> 80+ CRI, 21 Watts (Delivered - 2PG 1000, 2SG 1156) <b>90S21A</b> 90+ CRI, 21 Watts (Delivered - 2PG 862, 2SG 997) <b>97S21A</b> 97+ CRI, 21 Watts (Delivered - 2PG 758, 2SG 877)							
				<b>WARM DIM 6.5" TALL HOUSING</b> <b>90W11A</b> 90+ CRI, 11 Watts Incandescent Profile: 2700K - 1800K (Delivered - 2PG 276, 2SG 289) Halogen Profile: 3000K - 1800K (Delivered - 2PG 263, 2SG 323) <b>90W15A</b> 90+ CRI, 15 Watts Incandescent Profile: 2700K - 1800K (Delivered - 2PG 386, 2SG 406) Halogen Profile: 3000K - 1800K (Delivered - 2PG 369, 2SG 406) *SEE PAGE 4 FOR DETAILED WARM DIM PROFILE COMPARISON.	<b>WL</b> 2700K - 1800K  <b>WD</b> 3000K - 1800K  <b>WL</b> 2700K - 1800K  <b>WD</b> 3000K - 1800K						
				<b>TUNABLE WHITE 6.5" TALL HOUSING</b> <b>90T17A</b> 90+ CRI, 17 Watts Warm Profile (Delivered - 2PG 386, 2SG 406) Cool Profile (Delivered - 2PG 369, 2SG 406) *ALL DELIVERED LUMEN OUTPUTS REFLECT 3000K.	<b>TR</b> 4000K - 1800K  <b>TH</b> 5000K - 2700K						

## PART NUMBER NOTES

- Fittings ships as e.g. 2SG1-WH-80S15A2-GEX1-AN3GL
- Driver ships with fitting
- Applique ships with fitting



# 2 SERIES LED INT WALL GRAZER

## ACCESSORIES

### REPLACEMENT OPTIC

Interchangeable optics accessible through fitting aperture.

□ **RO-50-WG-2** Wall Grazer Optic

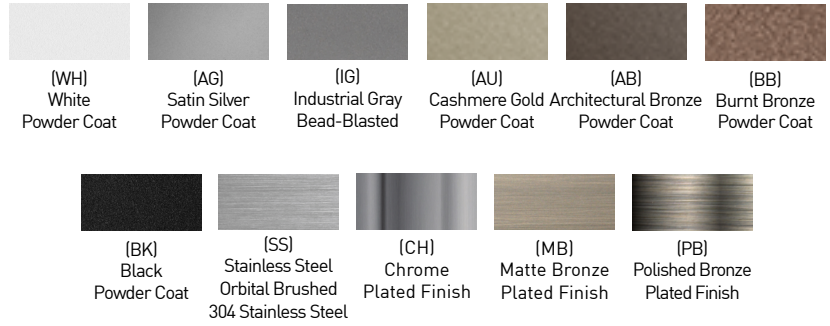
### ROUTER TOOL GUIDE (IP10 Dry / Damp locations only)

Recommended for Zero-Sightline installations in wood ceilings.

□ **DLA-RTG-2S-RD** Tool, [router guide](#), round; reusable

□ **DLA-RTG-2S-SQ** Tool, [router guide](#), square; reusable

## FINISHES BY LUCIFER LIGHTING™



## DRIVE CURRENT SPECIFICS

	80S				90S				97S				90W				90T	
	06A	11A	15A	21A	06A	11A	15A	21A	06A	11A	15A	21A	11AD	11AL	15AD	15AL	17AH	17AR
Minimum Vf	30.5	30.5	30.5	30.5	30.5	30.5	30.5	30.5	30.5	30.5	30.5	30.5	30.5	30.5	30.5	30.5	30.5	30.5
Maximum Vf	36.2	36.2	36.2	36.2	36.2	36.2	36.2	36.2	36.2	36.2	36.2	36.2	37.6	37.6	37.6	37.6	37.6	37.6
Current mA	150	250	350	500	150	250	350	500	150	250	350	500	250	250	350	350	400	400
Wattage W	6	11	15	21	6	11	15	21	6	11	15	21	8	8	15	15	14	14

	10 DEGREE OPTIC		
	80S15C	90S15C	97S15C
Minimum Vf	30.5	30.5	30.5
Maximum Vf	36.2	36.2	36.2
Current mA	350	350	350
Wattage W	15	15	15

# 2 SERIES LED INT WALL GRAZER

## WALL GRAZER DESIGN GUIDE

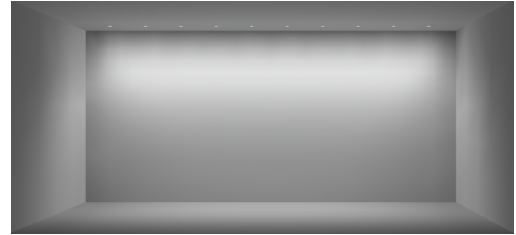
### ROUND



#### RECOMMENDED 18" SETBACK / 24" ON CENTER SPACING

- AVERAGE FC: 11.42
- MIN / MAX: 3.10
- 10FT CEILING SHOWN / 8-12FT IDEAL
- 10 FIXTURES / 22FT WALL SHOWN

### SQUARE



#### RECOMMENDED 18" SETBACK / 24" ON CENTER SPACING

- AVERAGE FC: 14.48
- MIN / MAX: 5.06
- 10FT CEILING SHOWN / 8-12FT IDEAL
- 10 FIXTURES / 22FT WALL SHOWN

### ADDITIONAL SPACINGS AND SETBACKS

ROUND		
ON CENTER SPACING	SETBACK	
	16"	18"
22"	AVERAGE FC: 13.15 MIN / MAX: 3.03	AVERAGE FC: 12.48 MIN / MAX: 2.83
24"	AVERAGE FC: 11.99 MIN / MAX: 3.12	SHOWN ABOVE
26"	AVERAGE FC: 10.92 MIN / MAX: 4.97	AVERAGE FC: 10.37 MIN / MAX: 4.70
28"	AVERAGE FC: 10.24 MIN / MAX: 5.26	AVERAGE FC: 9.76 MIN / MAX: 4.86

SQUARE		
ON CENTER SPACING	SETBACK	
	16"	18"
22"	AVERAGE FC: 16.97 MIN / MAX: 4.60	AVERAGE FC: 16.14 MIN / MAX: 5.03
24"	AVERAGE FC: 15.08 MIN / MAX: 4.87	SHOWN ABOVE
26"	AVERAGE FC: 14.15 MIN / MAX: 4.91	AVERAGE FC: 13.48 MIN / MAX: 5.34
28"	AVERAGE FC: 13.05 MIN / MAX: 4.73	AVERAGE FC: 12.55 MIN / MAX: 5.00

**\*ALL DATA REFLECTS 90S15A WATTAGE PACKAGE**

# 2 SERIES LED INT WALL GRAZER

## STATIC WHITE PERFORMANCE - 3000K

CRI / WATTAGE PACKAGE	WATTAGE	WALL GRAZER			
		2PG		2SG	
		DELIVERED	LPW	DELIVERED	LPW
80S06A	6	331	55	389	65
80S11A	11	536	49	628	57
80S15A	15	724	48	856	57
80S21A	21	1000	48	1156	55
90S06A	6	285	49	335	58
90S11A	11	462	46	541	54
90S15A	15	624	44	738	51
90S21A	21	862	41	997	47
97S06A	6	251	42	295	49
97S11A	11	406	37	494	38
97S15A	15	549	37	649	43
97S21A	21	758	36	877	42
90W11A (WL 27K-18K)	11	276	28	289	30
90W11A (WD 30K-18K)	11	263	27	323	33
90W15A (WL 27K-18K)	15	386	28	404	29
90W15A (WD 30K-18K)	15	369	26	452	32
90T17A (TR 40K-18K)	17	753	45	833	49
90T17A (TH 50K-27K)	17	746	44	825	49

### OUTPUT MULTIPLIER

CCT	CCT SCALE
2400K	0.76
2700K	0.97
3000K	1.000
3500K	1.03
4000K	1.08

### TUNABLE WHITE MULTIPLIER

CCT	5000K-2700K	4000K-1800K
5000K	1.16	-
4000K	1.08	1.14
3500K	1.04	1.07
3000K	1.00	1.00
2700K	0.96	0.92
2400K	-	0.84
1800K	-	0.69

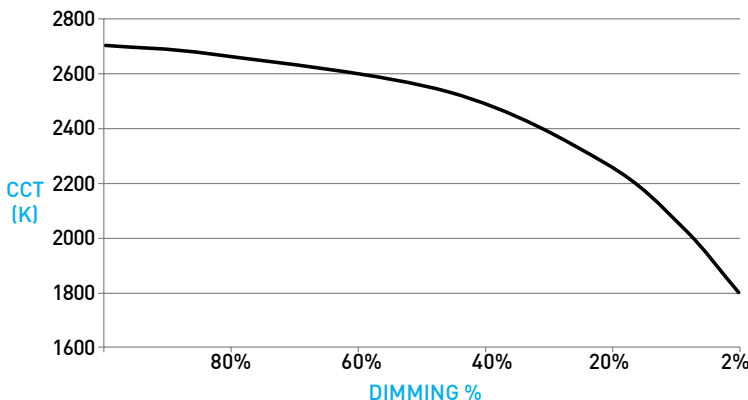
**Part L** 75+ LPW configurations comply with residential Part L  
95+ LPW configurations comply with commercial Part L

## WARM DIM PERFORMANCE

### INCANDESCENT PROFILE

90W11AL 2700K - 1800K	Full on 100%	Dimmed to 80%	Dimmed to 70%	Dimmed to 50%	Dimmed to 20%	Dimmed to 10%	Dimmed to 2%
CCT (K)	2700	2650	2625	2550	2200	1900	1800
Light Output (Lm)	276	221	193	138	55	28	6
Power (W)	11	9	8	6	2.2	1.1	.2
Efficacy (LPW)	25	25	25	25	25	25	25

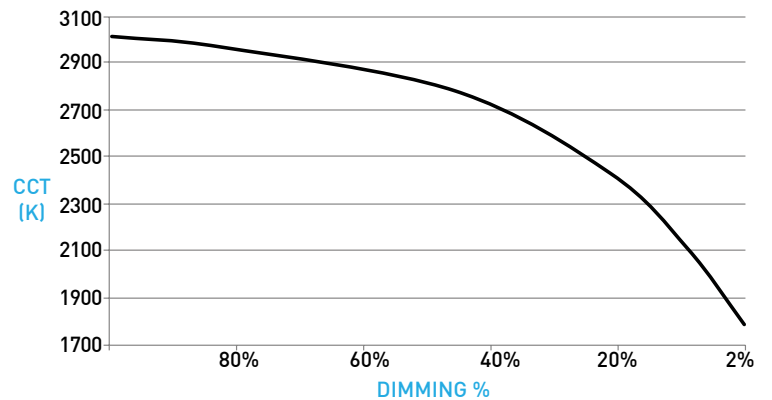
90W15AL 2700K - 1800K	Full on 100%	Dimmed to 80%	Dimmed to 70%	Dimmed to 50%	Dimmed to 20%	Dimmed to 10%	Dimmed to 2%
CCT (K)	2700	2650	2625	2550	2200	1900	1800
Light Output (Lm)	406	325	284	203	82	41	8
Power (W)	14	11	10	7	3	1.5	0.3
Efficacy (LPW)	29	29	28	29	27	27	27



### HALOGEN PROFILE

90W11AD 3000K - 1800K	Full on 100%	Dimmed to 80%	Dimmed to 70%	Dimmed to 50%	Dimmed to 20%	Dimmed to 10%	Dimmed to 2%
CCT (K)	3000	2950	2920	2775	2375	2000	1800
Light Output (Lm)	289	231	202	145	58	29	6
Power (W)	11	9	8	6	2.2	1.1	.2
Efficacy (LPW)	26	26	26	26	26	26	26

90W15AD 3000K - 1800K	Full on 100%	Dimmed to 80%	Dimmed to 70%	Dimmed to 50%	Dimmed to 20%	Dimmed to 10%	Dimmed to 2%
CCT (K)	3000	2950	2920	2775	2375	2000	1800
Light Output (Lm)	453	362	317	226	90	45	9
Power (W)	14	11	10	7	3	1.5	0.3
Efficacy (LPW)	32	33	32	32	30	30	30



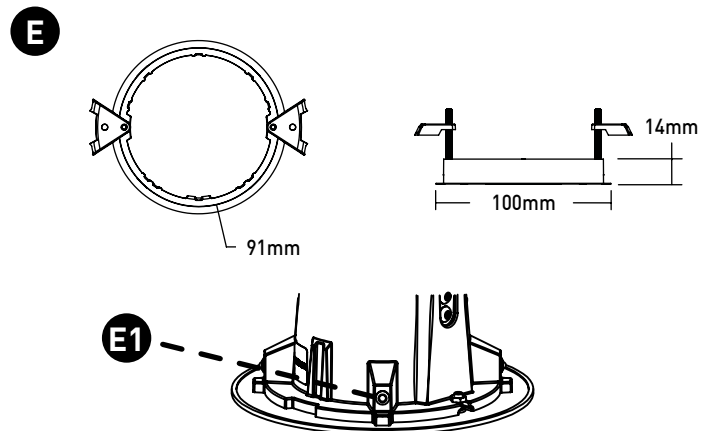
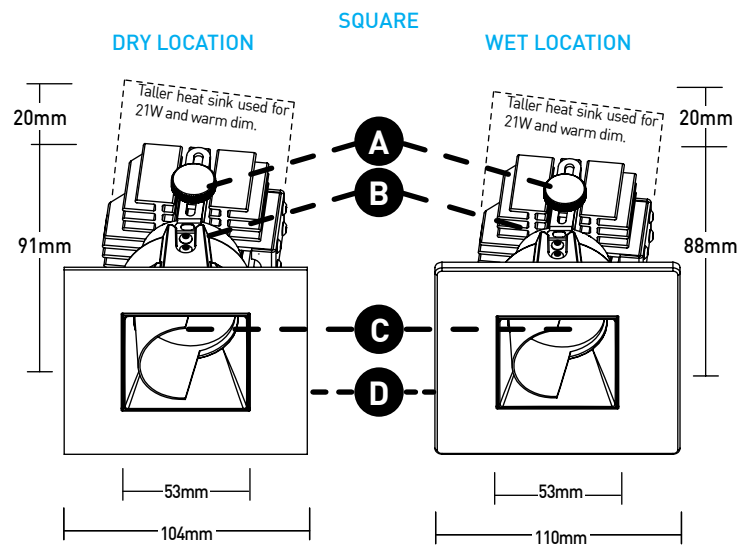
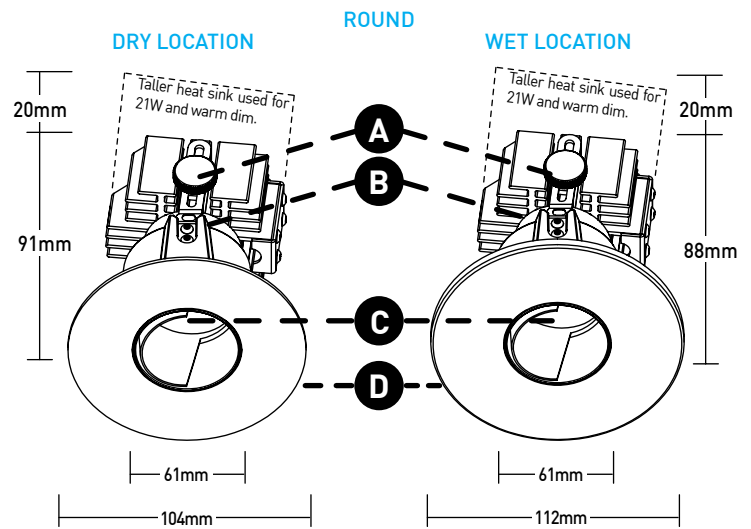
# 2 SERIES LED INT WALL GRAZER

## DOWNLIGHT FITTING

Die-cast baffle and precision kick reflector provide dynamic wall grazing and minimal aperture glare.

- A** **ADJUSTABLE YOKE**  
Adjustable yoke allows for quick access to optic and media.
- B** **OPTICS**  
Robust light engine with optimized optic pairing integrates Reflection, Refraction, and TIR offering a 40° wallgrazing beam.
- C** **MEDIA**  
Wall grazer lens included and sealed in place on wet location fixtures
- D** **TRIM PLATE**
  - Dry / Damp Location: Thickness measures 0.065".
  - Wet Location: Sealed aperture and integral silicone gasket. 0.17" (4.3mm) return, installed as flange overlay only.
- E** **DOWNLIGHT TRIM ADAPTER**  
Included with fixture and required for installation. Provides required alignment with trim, ensuring fixture aim integrity is maintained Uses (2) #6-32 flat-head screws with varying lengths to accommodate ceiling depth. Installed after ceiling is complete.
- E1** **RETENTION**  
Integral ball plungers correspond to trim adapter ensuring snug fit against finished ceiling.

## DIMENSIONS / DRAWINGS



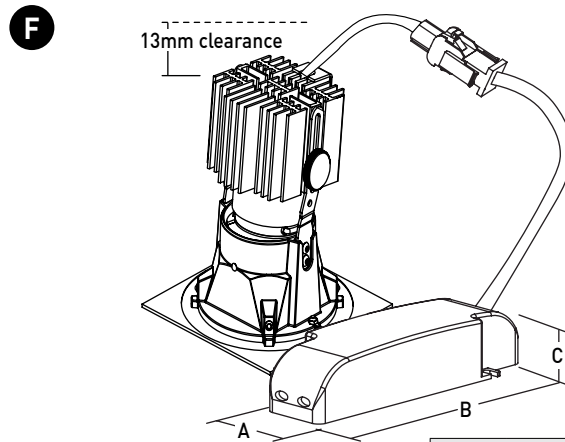
# 2 SERIES LED INT WALL GRAZER

## POWER SUPPLY

### F FITTING WITH TETHERED POWER SUPPLY

- Requires 113mm diameter cutout.
- Tethered power supply protected wiring and quick-connect plug between fitting and power supply.
- Minimum 13mm clearance from top of fitting.
- Minimum setback from combustible and non-combustible materials of 168mm radius from fitting centerline; minimum 76mm from surfaces of power supply if not situated within above noted radius from fitting centerline.
- Minimum additional 76mm setback from insulation material with max R-Value 30 from any surface of fitting assembly.
- Minimum additional 152mm setback from polycell spray foam insulation with max R-Value 60 from any surface of fitting assembly.
- Consult factory for spacing requirements for any installations exceeding R-Value 60.
- Do not install in environments where ambient temperatures exceed 40°C (104°F).

## DIMENSIONS / DRAWINGS



POWER SUPPLY DIMENSIONS			
Model	A	B	C
AN3	41mm	210mm	34mm
LN1			
EA1			
LA1			
ED1	76mm	152mm	31mm
LD1			

## ZERO-SIGHTLINE INSTALLATIONS

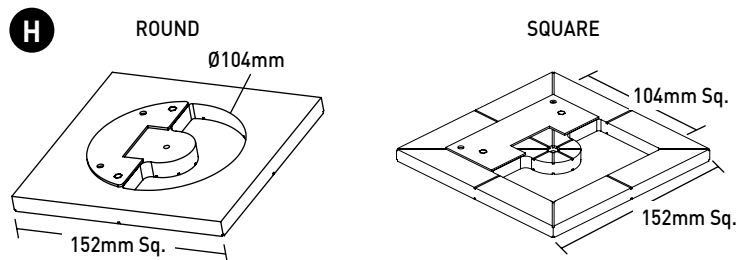
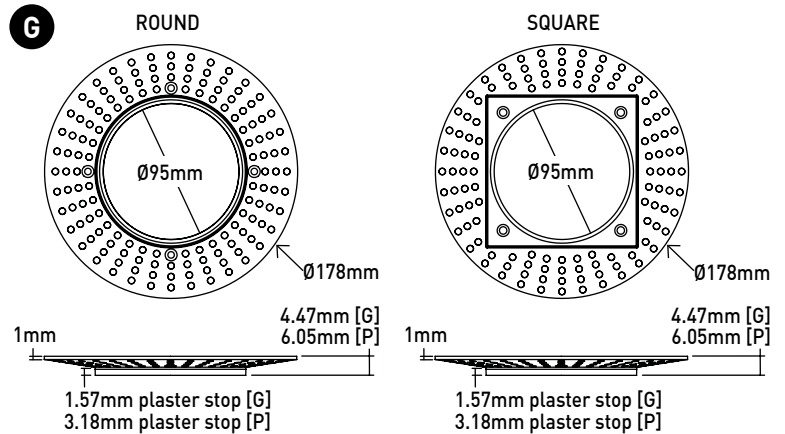
Fixture regresses flush with the finished ceiling plane when installed according to manufacturer instructions and finished ceiling conditions are met. Consult 2-Series Installation Guidelines for appropriate ceiling cutouts and instructions for proper Zero-Sightline installations.

### APPLIQUÉ

- Specified on Flange Configuration and ships with housing; ships separately on remodel installations.
  - For use in sheetrock ceiling applications.
  - 1.57mm Appliqué (G Flange Configuration) recommended for gypsum ceiling installations and has plaster stop thickness of 1.57mm. Recommended for painted ceiling applications.
  - 3.18mm Appliqué (P Flange Configuration) offers double thick plaster stop of 3.18mm where a heavier application of mud is preferred. Recommended for colorfast and venetian plaster applications. Not recommended for stucco applications.

### ROUTER TOOL GUIDE

- Specified separately and used with Flange Overlay configurations.
- For use in wood ceiling applications.
- **DLA-RTG-2S-RD** or **DLA-RTG-2S-SQ** required for wood Zero-Sightline ceiling installations.
- Router tool guide is reusable and suitable for multiple fittings.



# 2 SERIES LED INT WALL GRAZER

## TECHNICAL INFORMATION

### CONSTRUCTION

**Downlight Fitting:** Steel and aluminum; extruded aluminum heat-sink; painted finishes are granulated powder coat. 304 corrosion resistant stainless steel faceplate for wet location fittings.

**Downlight Fitting Adapter:** High-impact composite and stainless steel.

**Appliqué:** Zinc alloy.

### LED

2-step MacAdam ellipse LED module available in 80+, 90+ and 97+ CRI configurations in color temperatures of 2700K, 3000K, 3500K and 4000K. 3-step MacAdam ellipse LED module available in 90+ CRI configuration in color temperatures of 2400K. Average rated lamp life of 50,000 hours. LED and driver assemblies are field-replaceable.

### WARM DIM LED

3-step MacAdam ellipse warm dim LED module available in 90+ CRI configuration. 3000K or 2700K at full brightness, warming to 1800K at full dim. Average rated lamp life of 50,000 hours. LED and driver assemblies are field-replaceable.

### TUNABLE WHITE LED

3-step MacAdam ellipse tunable white LED module available in 90+ CRI configuration. Features tuning range of 2700K to 5000K and 1800K to 4000K. Average rated lamp life of 50,000 hours. Driver assemblies are field-replaceable.

### POWER SUPPLY PERFORMANCE AND DIMMING INFORMATION

Power Supply	0-10V				DALI-2		
	EA1	LA1	AN3	LN1	ED1	LD1	DD1
Minimum °C	-20 °C	-20 °C	-20 °C	-20 °C	-20 °C	-20 °C	-20 °C
Maximum °C	40 °C	40 °C	40 °C	40 °C	40 °C	40 °C	40 °C
Dimming %	0.1%	0.1%	1.0%	1.0%	0.1%	0.1%	0.1%

Note: For EA1 and LA1 drivers consult chart on page 8 to confirm appropriate dimming curve for compatibility with selected control.

### SPACING

Recommended fitting spacing is 22" to 28" on center with 16" to 18" setback from wall plane.

### LISTING

CE Listed for IP20 Dry / Damp and IP64 Wet locations.

### DECLARE

LBC Red List Approved.

### PART L

Part L compliant for all 75+ LPW residential and 95+ LPW commercial configurations.

### FIXTURE WEIGHT

Fitting - 1.4 lbs max

Driver - 0.4 lbs

### LIMITED WARRANTY

Manufacturer's Limited Warranty guarantees product(s) listed to be free from defects in material and workmanship under normal use and service for 1-year. LED and power supplies are warranted to operate with 70% of original flux and remain within a range of 3 duv for a period of 5-years. 10-year Lutron Advantage limited warranty available on Lutron equipped systems. Warranty period begins from the date of shipment by Seller. [Consult website for full warranty terms and conditions.](#)

### CHANGE LOG

- 01/12/2021: ADDED 2200K AND 2700K-1800K WARM DIM OFFERINGS.
- 08/12/2020: ADDED -3 (20mm-32mm) CEILING THICKNESS.
- 10/08/2019: NEW CONSOLIDATED SPEC SHEETS WITH SINGLE NOMENCLATURE FOR SPECIFICATION.
- 10/17/2022: REMOVED 90WA13H 3200K-1800K WARM DIM AND ADDED 90WA12H 3000K-1800K WARM DIM.
- 08/08/2023: UPDATED WITH NEW LED AND OPTIC SYSTEM.
- 02/07/2024: ADDED 2400K, LOW WATTAGE, AND TUNABLE WHITE OFFERINGS.
- 2/15/2024: PART L COMPLIANCE ADDED



# 2 SERIES LED INT WALL GRAZER

## DIMMING COMPATIBILITY

### eldoLED DRIVER COMPATIBILITY

Power supply EA1 / LA1 Dimmer / Switch Control Manufacturer	Family/Model #
Busch-Jaeger	2112U-101
Jung	240-10
Leviton Lighting Controls	IP710-DLX
Lightolier Controls	ZP600FAM120
Lutron Electronics	Nova T® - NTFTV
Lutron Electronics	Diva® - DVTV
Lutron Electronics	Nova® - NFTV
Merten	5729
Pass & Seymour	CD4FB-W
The Watt Stopper	DCLV1
Sensor Switch	nI0 EZ
Synergy	ISD BC
Power supply EA1 / LA1 Lighting Control Systems	Family/Model #
Lutron Electronics	GrafixEye® GRX-TVI w GRX3503
Lutron Electronics	Energy Savr Node™ - QSN-4T16-S
Lutron Electronics	TVM2 Module
Crestron®	GLX-DIMFLV8
Crestron®	GLXP-DIMFLV8
Crestron®	GLPAC-DIMFLV4-*
Crestron®	GLPAC-DIMFLV8-*
Crestron®	GLPP-DIMFLVEX-PM
Crestron®	GLPP-1DIMFLV2EX-PM
Crestron®	GLPP-1DIMFLV3EX-PM
Crestron®	DIN-A08
Crestron®	DIN-4DIMFLV4
Crestron®	CLS-EXP-DIMFLV
Crestron®	CLCI-1DIMFLV2EX
ABB	SD/S 2.16.1