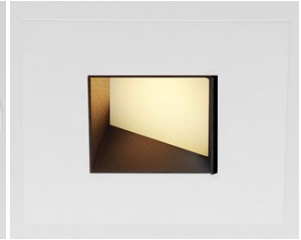
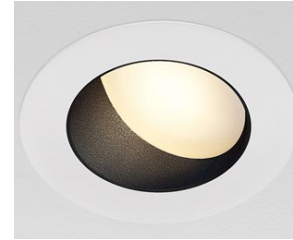


2 SERIES LED WALLWASH

PROJECT NAME:	TYPE:
---------------	-------



High-output, low profile, and infinite adjustment -- these small aperture downlights make elegant design statements in discerning residential, retail, and hospitality environments.

ORDERING INFORMATION



Quick Ship Product. All rough in components ship within 10 days up to quantities of 100.



JA8-2022 INDICATED BY SHADING

TRIM	RATING	FLANGE FINISH	CRI / WATTAGE PACKAGE	CCT	OPTIC	INSTALL TYPE	CEILING THICKNESS	POWER SUPPLY	MEDIA	FLANGE CONFIGURATION
					WW				WL	
2RW Round Expanded Wallwash 2SW Square Expanded Wallwash	1 Dry/Damp 2 Wet* *(Lens sealed in place)	WH White AG Satin Silver IG Industrial Gray AU Cashmere Gold AB Arch Bronze BB Burnt Bronze BK Black SS Stainless Steel* CH Chrome* MB Matte Bronze* PB Polished Bronze* PR Primer CF Custom* *(Consult Factory)	<p>LOW FLUX STATIC WHITE 3.73" TALL HOUSING</p> <p>80S06A 80+ CRI, 6 Watts (Delivered - 2RW 415, 2SW 351) 80S11A 80+ CRI, 11 Watts (Delivered - 2RW 680, 2SW 554) 80S15A 80+ CRI, 15 Watts (Delivered - 2RW 926, 2SW 770) 90S06A 90+ CRI, 6 Watts (Delivered - 2RW 358, 2SW 303) 90S11A 90+ CRI, 11 Watts (Delivered - 2RW 586, 2SW 478) 90S15A 90+ CRI, 15 Watts (Delivered - 2RW 798, 2SW 664) 97S06A 97+ CRI, 6 Watts (Delivered - 2RW 315, 2SW 267) 97S11A 97+ CRI, 11 Watts (Delivered - 2RW 516, 2SW 421) 97S15A 97+ CRI, 15 Watts (Delivered - 2RW 702, 2SW 584)</p> <p>HIGH FLUX STATIC WHITE 6.5" TALL HOUSING</p> <p>80S21A 80+ CRI, 21 Watts (Delivered - 2RW 1245, 2SW 1029) 90S21A 90+ CRI, 21 Watts (Delivered - 2RW 1073, 2SW 887) 97S21A 97+ CRI, 21 Watts (Delivered - 2RW 944, 2SW 781)</p> <p>WARM DIM 6.5" TALL HOUSING</p> <p>90W11A 90+ CRI, 11 Watts Incandescent Profile: 2700K - 1800K (Delivered - 2RW 408, 2SW 355) Standard Profile: 3000K - 1800K (Delivered - 2RW 412, 2SW 354) 90W15A 90+ CRI, 15 Watts Incandescent Profile: 2700K - 1800K (Delivered - 2RW 571, 2SW 496) Standard Profile: 3000K - 1800K (Delivered - 2RW 578, 2SW 497) *SEE PAGE 4 FOR DETAILED WARM DIM PROFILE COMPARISON.</p> <p>TUNABLE WHITE 6.5" TALL HOUSING</p> <p>90T17A 90+ CRI, 17 Watts Warm Profile (Delivered - 2RW 700, 2SW 610) Cool Profile (Delivered - 2RW 694, 2SW 605) *ALL DELIVERED LUMEN OUTPUTS REFLECT 3000K.</p>	24 2400K* *(190+CRI only, 15W max) 27 2700K 30 3000K 35 3500K 40 4000K	WW Wallwash Optic	<p>Housing W/ Integral Driver (HB) NC NIC IC IC AT IC, Airtight* *(CEA, Airtight and Title 24 compliant housing)</p> <p>Housing W/ Remote Driver (HR) NR NIC, Remote IR IC, Remote AR IC, Airtight, Remote* *(CEA, Airtight and Title 24 compliant housing)</p> <p>Remodel RM Remodel RR Remote-Remodel</p>	0 0.125" - 0.49"* *(RM, RR Install Types only) 1 0.50" - 0.75" 2 0.76" - 1.25"	<p>(120V)</p> <p>TR2 Philips, 2% Forward/Reverse (120-277V)</p> <p>LH1 Lutron, Hi-Lume 1% Ecosystem* *(Not available for 6W) LP1 Lutron, Premier 0.1% Ecosystem AN4 Philips Xitanium 1% 0-10V, LOG LN2 Philips Xitanium 1% 0-10V, LIN EA2 eldoLED, 0.1% 0-10V, LOG LA2 eldoLED, 0.1% 0-10V, LIN ED1 SOLOdrive 0.1% DALI-2, LOG LD1 eldoLED, 0.1% DALI-2, LIN AS1/ Athena Control eldoLED ASR 0.1% 120-277V* CS1/ Casambi Control eldoLED CSR 0.1% 120-277V* *(Includes Node. Extended lead time, consult factory. ASR/CSR includes shunt. Casambi is remote only)</p> <p>TUNABLE WHITE REMOTE (0.1% 120-277V)</p> <p>DD1 eldoLED, DUAldrive DALI-2, LOG DG1 eldoLED, DUAldrive 0-10V, LOG DN1 eldoLED, DUAldrive 0-10V, LIN AD1/ Athena Control, ADR EldoLED, DUAldrive* CD1/ Casambi Control, CDR EldoLED, DUAldrive* *(Includes Node. Extended lead time, consult factory. ASR/CSR includes shunt. Casambi is remote only)</p>	WL Wallwash Lens	F Flange Overlay (No Applique) G Zero Sightline Gysoum (1/16" Applique)* *(Not available for wet location) P Zero Sightline Plaster (1/8" Applique)* *(Not available for wet location)
		FINISH IMAGES ON PAGE 2		WL 2700K - 1800K WD 3000K - 1800K WL 2700K - 1800K WD 3000K - 1800K TR 4000K - 1800K TH 5000K - 2700K						

PART NUMBER NOTES

- Trims ships as e.g. 2RW1-WH-80S15A2-WHB1-TR2WL
- Housing ships as e.g. NCL-2RF-1-LED-01
- Drivers ship with trim
- Appliqué ships with housing



Declare.

LUCIFER[®]
LIGHTING COMPANY

luciferlighting.com

©2024 Lucifer[®] Lighting Company

As part of its policy of continuous research and product development, the company reserves the right to change or withdraw specifications without prior notice.

[PH] +1-210-227-7329
[FAX] +1-210-227-4967

pg. 1

2 SERIES LED WALLWASH

ACCESSORIES

- ROUTER TOOL GUIDE** (Dry / Damp locations only)
Recommended for Zero-Sightline installations in wood ceilings.
- DLA-RTG-2S-RD** Tool, router guide, round; reusable
 - DLA-RTG-2S-SQ** Tool, router guide, square; reusable

REPLACEMENT OPTIC

- Interchangeable optics accessible through fixture aperture.
- RO-50-WW-S** Wall Grazer Optic, Static White
 - RO-50-WW-W** Wall Grazer Optic, Warm Dim

HANGER BAR EXTENDER KIT

- Extends hanger bars from 24.0" to 46.0" maximum.
- 2S-HBE-46** Extender, Hanger Bar

FURRING CHANNEL ACCESSORY KIT

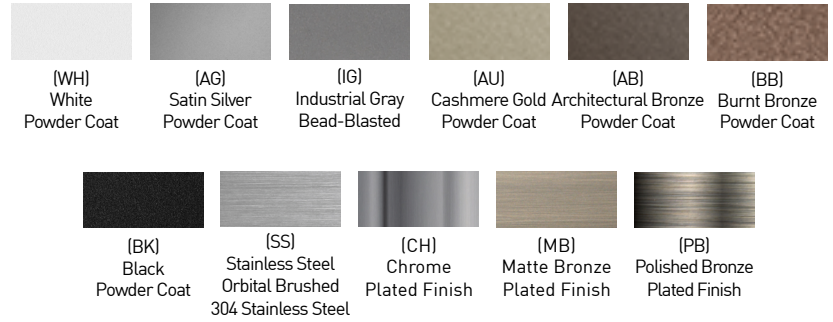
- Recommended for installations in furring channel. Available for ceiling thicknesses from 0.125" - 1.25".
- DHA-FC-KIT**

EMERGENCY LIGHTING - REMOTE MOUNT ONLY

During disruption of main power, emergency battery inverter provides temporary 120V or 277V to fixture.

- EMB-S-25-120/277-LEDX** 25 watt max capacity, 120 or 277 VAC 60Hz, Non-Dimmable
- EMB-S-100-120-LEDX** 100 watt max capacity, 120 VAC 60Hz, 0-10V Dimmable
- EMB-S-100-277-LEDX** 100 watt max capacity, 277 VAC 60Hz, 0-10V Dimmable
- EMB-S-250-120/277-LEDX** 250 watt max capacity, 120 or 277 VAC 60Hz, 0-10V Dimmable

FINISHES BY LUCIFER LIGHTING™



2 SERIES LED WALLWASH

WALLWASH DESIGN GUIDE

ROUND



RECOMMENDED

30" SETBACK / 30" ON CENTER SPACING

- AVERAGE FC: 15.46
- MIN / MAX: 2.94
- 10FT CEILING SHOWN / 8-12FT IDEAL
- 10 FIXTURES / 25FT WALL SHOWN

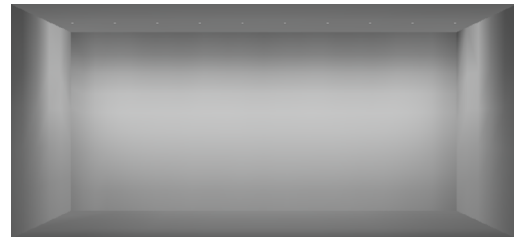
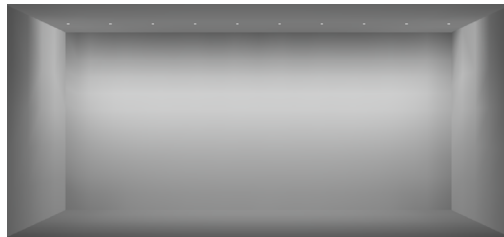
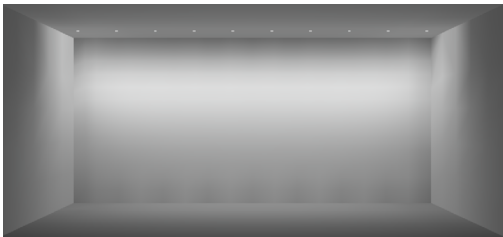
36" SETBACK / 36" ON CENTER SPACING

- AVERAGE FC: 11.73
- MIN / MAX: 3.11
- 10FT CEILING SHOWN / 8-12FT IDEAL
- 10 FIXTURES / 30FT WALL SHOWN

42" SETBACK / 42" SPACING ON CENTER

- AVERAGE FC: 9.22
- MIN / MAX: 3.77
- 10FT CEILING SHOWN / 8-12FT IDEAL
- 10 FIXTURES / 35FT WALL SHOWN

SQUARE



RECOMMENDED

30" SETBACK / 30" ON CENTER SPACING

- AVERAGE FC: 16.00
- MIN / MAX: 4.62
- 10FT CEILING SHOWN / 8-12FT IDEAL
- 10 FIXTURES / 25FT WALL SHOWN

36" SETBACK / 36" ON CENTER SPACING

- AVERAGE FC: 12.47
- MIN / MAX: 2.98
- 10FT CEILING SHOWN / 8-12FT IDEAL
- 10 FIXTURES / 30FT WALL SHOWN

42" SETBACK / 42" SPACING ON CENTER

- AVERAGE FC: 9.99
- MIN / MAX: 2.96
- 10FT CEILING SHOWN / 8-12FT IDEAL
- 10 FIXTURES / 35FT WALL SHOWN

ADDITIONAL SPACINGS AND SETBACKS

ROUND			
ON CENTER SPACING	SETBACK		
	30"	36"	42"
30"	SHOWN ABOVE	AVERAGE FC: 14.02 MIN / MAX: 3.34	AVERAGE FC: 12.56 MIN / MAX: 3.85
36"	AVERAGE FC: 12.90 MIN / MAX: 2.63	SHOWN ABOVE	AVERAGE FC: 10.58 MIN / MAX: 3.47
42"	AVERAGE FC: 11.16 MIN / MAX: 2.88	AVERAGE FC: 10.18 MIN / MAX: 3.27	SHOWN ABOVE

SQUARE			
ON CENTER SPACING	SETBACK		
	30"	36"	42"
30"	SHOWN ABOVE	AVERAGE FC: 14.82 MIN / MAX: 3.38	AVERAGE FC: 16.38 MIN / MAX: 3.14
36"	AVERAGE FC: 13.40 MIN / MAX: 4.09	SHOWN ABOVE	AVERAGE FC: 11.52 MIN / MAX: 2.86
42"	AVERAGE FC: 11.51 MIN / MAX: 4.36	AVERAGE FC: 10.73 MIN / MAX: 3.16	SHOWN ABOVE

***ALL DATA REFLECTS 90S15A WATTAGE PACKAGE**

2 SERIES LED WALLWASH

STATIC WHITE PERFORMANCE - 3000K

CRI / WATTAGE PACKAGE	WATTAGE	WALLWASH			
		2RW		2SW	
		DELIVERED	LPW	DELIVERED	LPW
80S06A	6	415	69	351	59
80S11A	11	680	56	554	49
80S15A	15	926	62	770	51
80S21A	21	1245	59	1029	49
90S06A	6	358	62	303	53
90S11A	11	586	53	478	43
90S15A	15	798	53	664	44
90S21A	21	1073	51	887	42
97S06A	6	315	53	267	44
97S11A	11	516	47	421	38
97S15A	15	702	47	584	39
97S21A	21	944	45	781	37
90W11A (WL 27K-18K)	11	408	42	355	37
90W11A (WD 30K-18K)	11	412	43	354	37
90W15A (WL 27K-18K)	15	571	38	496	33
90W15A (WD 30K-18K)	15	578	38	497	33
90W17A (TR 40K-18K)	17	700	42	610	36
90W17A (TH 50K-27K)	17	694	41	605	36



JA8-2022 INDICATED BY SHADING

JA8-2022 TITLE 24 COMPLIANT CONFIGURATIONS

	WW Optic											
	90S			97S			90W				90T	
	11A	15A	21A	11A	15A	21A	11AL	11AD	15AL	15AD	17AR	17AH
2RW	✓	✓	✓	✓	✓	✓						
2SW												

OUTPUT MULTIPLIER

CCT	CCT SCALE
2400K	0.76
2700K	0.97
3000K	1.000
3500K	1.03
4000K	1.08

TUNABLE WHITE MULTIPLIER

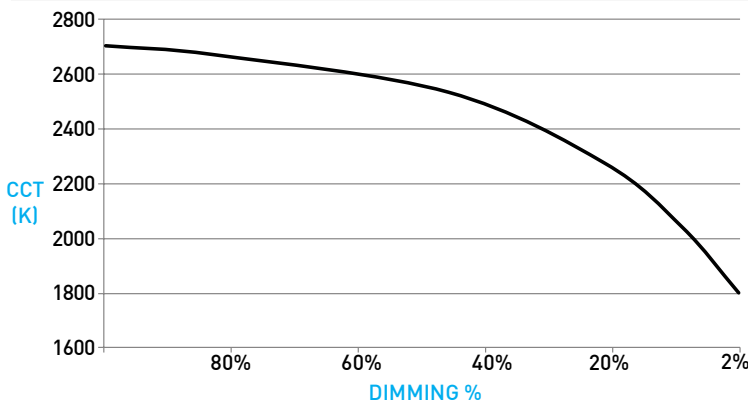
CCT	5000K-2700K	4000K-1800K
5000K	1.16	-
4000K	1.08	1.14
3500K	1.04	1.07
3000K	1.00	1.00
2700K	0.96	0.92
2400K	-	0.84
1800K	-	0.69

WARM DIM PERFORMANCE

INCANDESCENT PROFILE

90W11AL 2700K - 1800K	Full on 100%	Dimmed to 80%	Dimmed to 70%	Dimmed to 50%	Dimmed to 20%	Dimmed to 10%	Dimmed to 2%
CCT (K)	2700	2650	2625	2550	2200	1900	1800
Light Output (Lm)	408	326	286	204	82	41	8
Power (W)	11	9	8	6	2.2	1.1	.2
Efficacy (LPW)	37	37	37	37	37	37	37

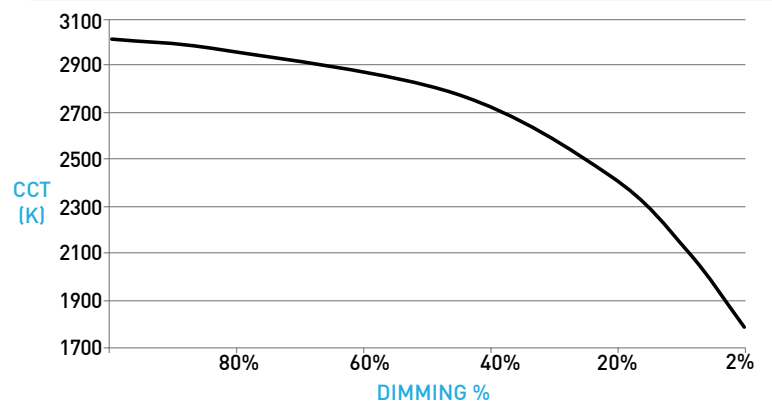
90W15AL 2700K - 1800K	Full on 100%	Dimmed to 80%	Dimmed to 70%	Dimmed to 50%	Dimmed to 20%	Dimmed to 10%	Dimmed to 2%
CCT (K)	2700	2650	2625	2550	2200	1900	1800
Light Output (Lm)	571	457	400	286	114	57	11.4
Power (W)	14	11	10	7	3	1.5	0.3
Efficacy (LPW)	38	38	38	38	38	38	38



STANDARD PROFILE

90W11AD 3000K - 1800K	Full on 100%	Dimmed to 80%	Dimmed to 70%	Dimmed to 50%	Dimmed to 20%	Dimmed to 10%	Dimmed to 2%
CCT (K)	3000	2950	2920	2775	2375	2000	1800
Light Output (Lm)	412	330	288	206	82	41	8
Power (W)	11	9	8	6	2.2	1.1	.2
Efficacy (LPW)	37	37	37	37	37	37	37

90W15AD 3000K - 1800K	Full on 100%	Dimmed to 80%	Dimmed to 70%	Dimmed to 50%	Dimmed to 20%	Dimmed to 10%	Dimmed to 2%
CCT (K)	3000	2950	2920	2775	2375	2000	1800
Light Output (Lm)	578	462	405	289	116	58	12
Power (W)	14	11	10	7	3	1.5	0.3
Efficacy (LPW)	38	38	38	38	38	38	38



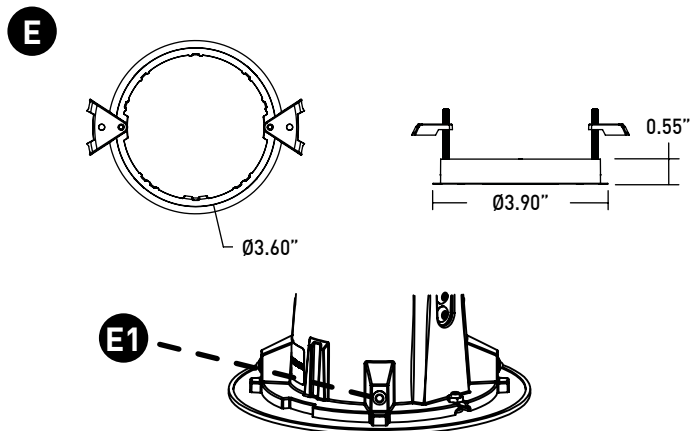
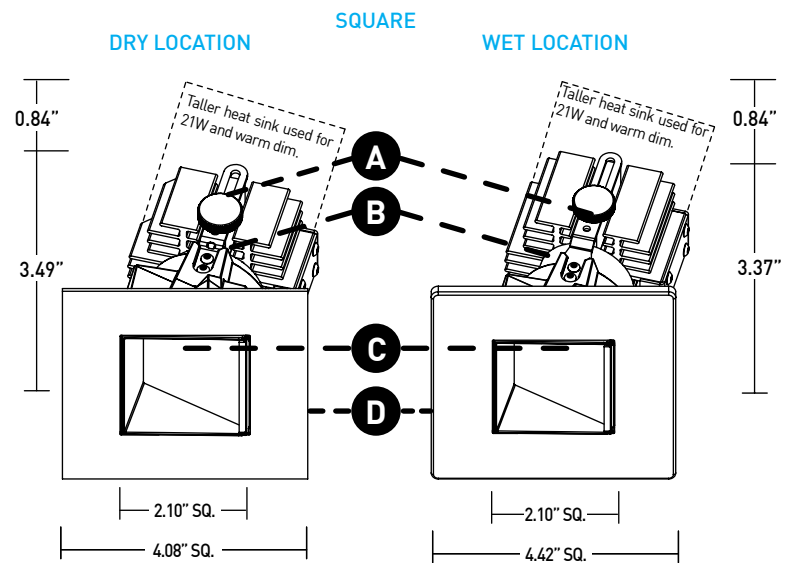
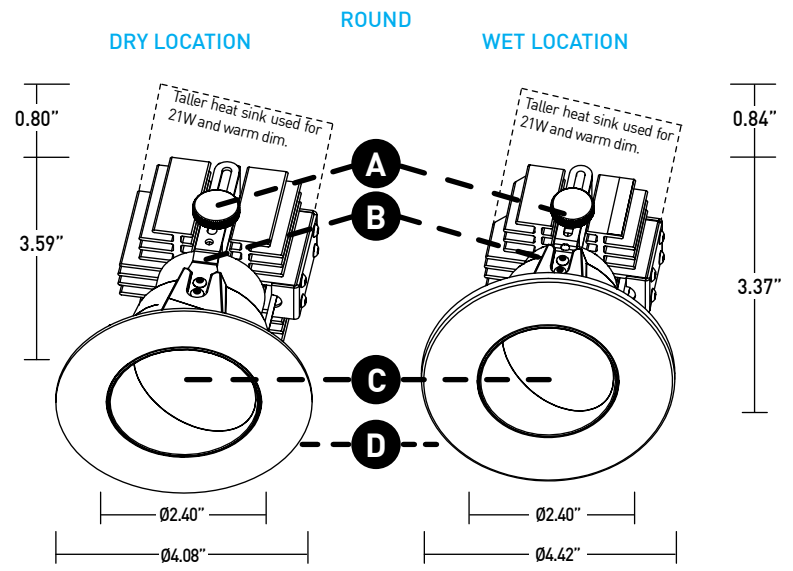
2 SERIES LED WALLWASH

DOWNLIGHT

Die-cast baffle and precision kick reflector provide dynamic wallwashing and minimal aperture glare.

- A** **ADJUSTABLE YOKE**
Adjustable yoke allows for quick access to optic and media.
- B** **OPTICS**
Robust light engine with optimized optic pairing integrates Reflection, Refraction, and TIR offering a 40° wallwashing beam.
- C** **MEDIA**
Wallwash lens included and sealed in place on wet location fixtures
- D** **TRIM PLATE**
 - Dry / Damp Location: Thickness measures 0.065" (1.7mm)
 - Wet Location: Sealed aperture and integral silicone gasket. 0.17" (4.3mm) return, installed as flange overlay only.
- E** **DOWNLIGHT TRIM ADAPTER**
Included with fixture and required for installation. Provides required alignment with trim, ensuring fixture aim integrity is maintained Uses (2) #6-32 flat-head screws with varying lengths to accommodate ceiling depth. Installed after ceiling is complete.
- E1** **RETENTION**
Engineered integral ball plungers correspond to trim adapter ensuring snug fit against finished ceiling.

DIMENSIONS / DRAWINGS



2 SERIES LED WALLWASH

HOUSING

- F LOW FLUX NO INSULATION CONTACT (NON-IC) HOUSING**
- Included with NC and NR Low Flux wattage packages.
 - Minimum 0.50" (13mm) setback from combustible and non-combustible materials on all sides and top of housing.
 - Minimum 3.00" (76mm) setback from insulation material having max R-Value 30 on all sides and top of housing.
 - Minimum 6.00" (152mm) setback from polycell spray foam insulation having max R-Value 60.
- LOW FLUX INSULATION CONTACT (IC) HOUSING**
- Included with IC, IR, AT, and AR LOW Flux wattage packages.
 - No setback from polycell spray foam insulation having max R-Value of 60 on all sides and top of housing.
- G HIGH FLUX / WARM DIM HOUSING**
- Satisfies IC, Airtight and NON-IC configurations.
 - Included with all HIGH Flux and Warm Dim wattage packages.
 - No setback from polycell spray foam insulation having max R-Value of 60 on all sides and top of housing.

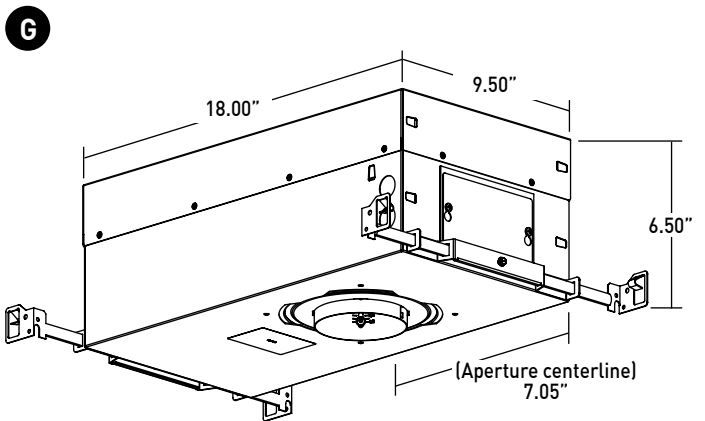
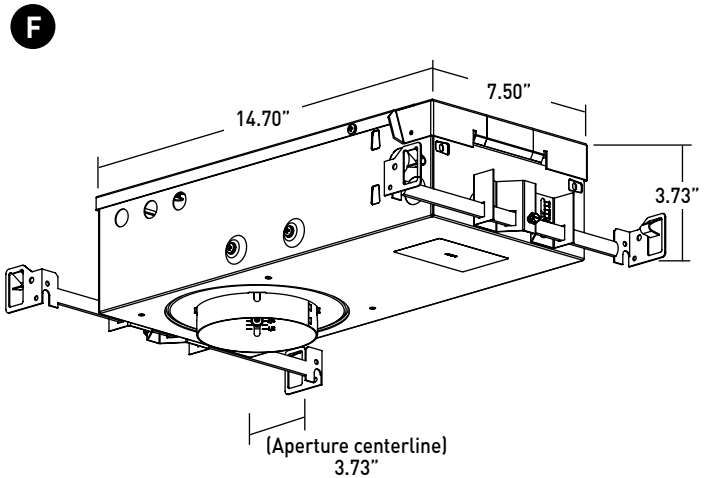
HOUSING MOUNTING NOTES

- AT and AR install types are required for CCEA, Airtight and Title 24 (JA8) applications.
- Do not install in environments where ambient temperatures exceed 40°C (104°F).
- Power supply compartment and all splice connections may be serviced from room side.
- Consult factory for spacing requirements for any installations exceeding R-Value 60.
- Hanger bars fitted to short and long side of Low Flux Housing, and short side only of High Flux / Warm Dim Housing; extend from 14.0" to 24.0", but may be field cut to accommodate narrow stud spacing. Can be extended up to 46" maximum with 2S-HBE-46 kit.
- Hanger bars and brackets add 4.00" to the overall dimension, but are exclusive of the setback requirements.
- Driver assembly ships with trim, not housing. Housing and trim feature push nuts and lever nuts for ease of installation.

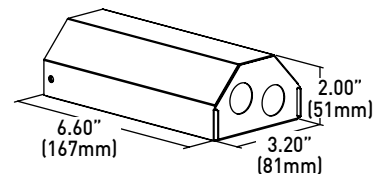
REMOTE POWER SUPPLY

- H** Provided with install types "IR", "NR" and "AR". See page 7 for maximum allowable wiring distances. Must be installed in an accessible location.
- I ATHENA / CASAMBI CONTROL**
Controls integrated into housing or remote driver assembly. All equipment is serviceable.
- Athena Model Numbers: A-WN-D01-RF-BL & DFC-OEM-DBI
- Casambi Model Number: BT-S1E1-5400
- J ATHENA / CASAMBI EM SHUNT**
Included with drivers specified as ASR, ADR, CSR, or CDR. One required for each wireless EM fixture, requires class 2 control wiring between fixture and shunt. Features integrated test switch.
- Model Number: PS-RMT-SHUNT

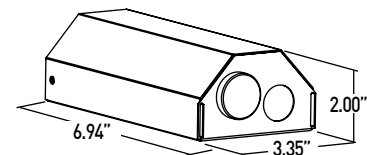
DIMENSIONS / DRAWINGS



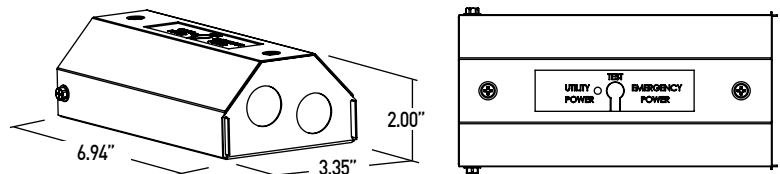
H STANDARD ENCLOSURE



I ATHENA / CASAMBI ENCLOSURE



J ATHENA / CASAMBI EM SHUNT



2 SERIES LED WALLWASH

REMODEL POWER SUPPLY

- K REMODEL POWER SUPPLY**
- Included with RM Install Type.
 - UL2043 listed for air-handling plenum.
 - Fixture mounts without conventional housing using supplied downlight trim adapter.
 - Minimum 0.75" clearance from top of fixture.
 - Minimum setback from combustible and non-combustible materials of 6.63" radius from fixture centerline.
 - Minimum 3.00" setback from surfaces of power supply / junction box if not situated within above noted radius from fixture centerline.
 - Minimum additional 3.00" setback from insulation material with max R-Value 30 from any surface of downlight fixture assembly.
 - Minimum additional 6.00" setback from polycell spray foam insulation with max R-Value 60 from any surface of downlight fixture assembly.

REMODEL NOTES

- Do not install in environments where ambient temperatures exceed 40°C (104°F).
- Power supply compartment and all splice connections may be serviced from room side.
- Consult factory for spacing requirements for any installations exceeding R-Value 60.

L REMOTE APPLICATIONS

- Remote power supply included with RR Install Type.
- Must be installed in an accessible dry/damp location.
- Do not install in environments where ambient temperatures exceed 40°C (104°F)
- Requires plenum rated Class 2 cable between fixture and remote driver. Cable supplied by others.
- See page 7 for maximum allowable wiring distances.

ZERO-SIGHTLINE INSTALLATIONS

Fixture regresses flush with the finished ceiling plane when installed according to manufacturer instructions and finished ceiling conditions are met. Consult 2-Series Installation Guidelines for appropriate ceiling cutouts and instructions for proper Zero-Sightline installations.

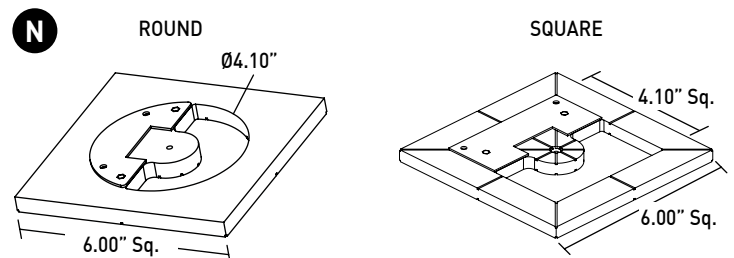
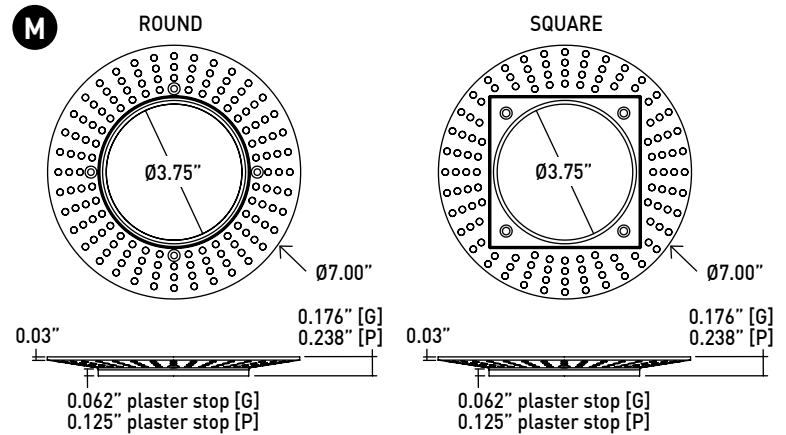
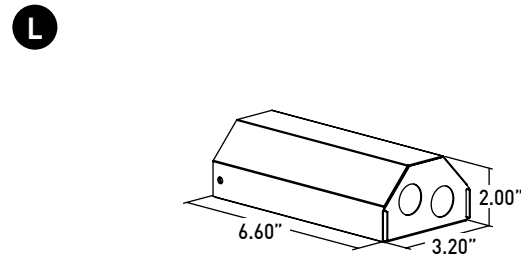
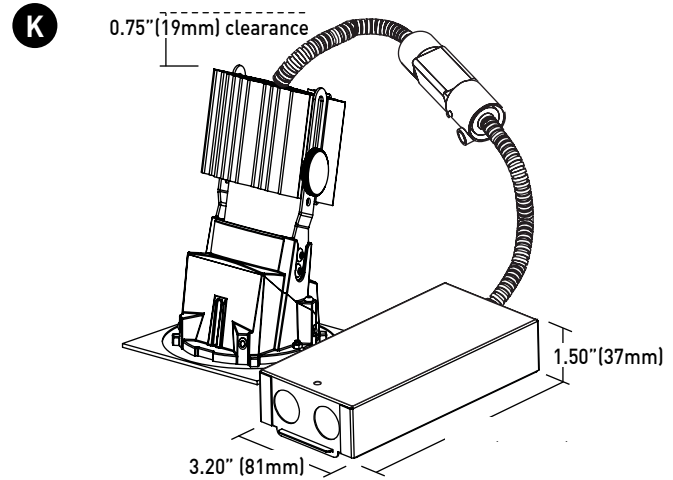
M APPLIQUÉ

- Specified on Flange Configuration and ships with housing; ships separately on remodel installations.
- For use in sheetrock ceiling applications.
 - 1/16" Appliqué (G Flange Configuration) recommended for gypsum ceiling installations and has plaster stop thickness of 1/16". Recommended for painted ceiling applications.
 - 1/8" Appliqué (P Flange Configuration) offers double thick plaster stop of 1/8" where a heavier application of mud is preferred. Recommended for colorfast and venetian plaster applications.
- Not recommended for stucco applications.

N ROUTER TOOL GUIDE

- Specified separately and used with Flange Overlay configurations.
- For use in wood ceiling applications.
- **DLA-RTG-2S-RD** or **DLA-RTG-2S-SQ** required for wood Zero-Sightline ceiling installations.
- Router tool guide is reusable and suitable for multiple fixtures.

DIMENSIONS / DRAWINGS



2 SERIES LED WALLWASH

TECHNICAL INFORMATION

CONSTRUCTION

Downlight: Steel and aluminum; extruded aluminum heat-sink; painted finishes are granulated powder coat. 304 corrosion resistant stainless steel faceplate for wet location fixtures.

Trim Adapter: High-impact composite and stainless steel.

Housing: 22 Gauge galvanized steel.

Appliqué: Zinc alloy.

STATIC WHITE LED

2-step MacAdam ellipse LED module available in 80+, 90+ and 97+ CRI configurations in color temperatures of 2700K, 3000K, 3500K and 4000K. 3-step MacAdam ellipse LED module available in 90+ configuration in color temperature of 2400K. Average rated lamp life of 50,000 hours. LED and driver assemblies are field-replaceable.

WARM DIM LED

3-step MacAdam ellipse warm dim LED module available in 90+ CRI configuration. 3000K or 2700K at full brightness, warming to 1800K at full dim. Average rated lamp life of 50,000 hours. LED and driver assemblies are field-replaceable.

TUNABLE WHITE LED

3-step MacAdam ellipse tunable white LED module available in 90+ CRI configuration. Features tuning range of 2700K to 5000K and 1800K to 4000K. Average rated lamp life of 50,000 hours. Driver assemblies are field-replaceable.

POWER SUPPLY PERFORMANCE AND DIMMING INFORMATION

Power Supply	PHASE	ECO			0-10V					DALI-2			ATHENA	CASAMBI
	TR2	LH1	LP1	EA2	LA2	AN4	LN2	DG1	DN1	ED1	LD1	DD1	AS1/AD1	CS1/CD1
Minimum °C	-20 °C	0 °C	0 °C	-20 °C	-20 °C	-20 °C	-20 °C	-20 °C	-20 °C	-20 °C	-20 °C	-20 °C	0 °C	-20 °C
Maximum °C	40 °C	40 °C	40 °C	40 °C	40 °C	40 °C	40 °C	40 °C	40 °C	40 °C	40 °C	40 °C	40 °C	40 °C
Dimming %	2.0%	1.0%	0.1%	0.1%	0.1%	1.0%	1.0%	0.1%	0.1%	0.1%	0.1%	0.1%	0.1%	0.1%

Note: For EA2 and LA2 drivers consult chart on page 9 to confirm appropriate dimming curve for compatibility with selected control.

MAXIMUM ALLOWABLE REMOTE DRIVER WIRING DISTANCES

DRIVER	WIRE AWG				
	12	14	16	18	20
TR2, AN4, LN2	285'	180'	113'	71'	45'
LH1, LP1	60'	40'	25'	15'	-
EA2, LA2, ED1, LD1, DG1, DN1, DD1, AS1, AD1, CS1, CD1	-	-	118'	72'	46'

SPACING

Recommended fixture spacing is 36" on center with 36" setback from wall plane.

FIXTURE WEIGHT

Trim - 2 lbs max

Low Flux Housing - 4.2 lbs

High Flux / Warm Dim Housing - 7.4 lbs

Remote / Remodel Driver - 1.4 lbs

LISTING

cTUVus listed to UL1598 standard for Dry / Damp and Wet locations. CCEA,

Airtight and Title 24 JA8-2022 Listed.

NEMA 410 Compliant.

DECLARE

LBC Red List Approved.

LIMITED WARRANTY

Manufacturer's Limited Warranty guarantees product(s) listed to be free from defects in material and workmanship under normal use and service for 1-year. LED and power supplies are warranted to operate with 70% of original flux and remain within a range of 3 duv for a period of 5-years. 10-year Lutron Advantage limited warranty available on Lutron equipped systems. Warranty period begins from the date of shipment by Seller. [Consult website for full warranty terms and conditions.](#)

CHANGE LOG

- 04/06/2022: REMOVED REMOTE REMODEL ACCESSORY KIT DLA2-RMT-AK.
- 10/17/2022: REMOVED 90WA12H 3200K-1800K WARM DIM AND ADDED 90WA12H 3000K-1800K WARM DIM.
- 11/28/2022: REMODEL FIXTURES UPDATED WITH METAL CLASP CONNECTORS.
- 04/26/2023: ADDED DECLARE LBC RED LIST APPROVED.
- 08/08/2023: UPDATED WITH NEW LED AND OPTIC SYSTEM.
- 01/11/2024: ADDED ATHENA AND CASAMBI CONTROL OFFERING. ADDED 2400K OFFERING.
- 02/07/2024: ADDED TUNABLE WHITE OFFERING.
- 05/13/2024: UPDATED LH1 WATTAGE MINIMUM
- 07/15/2024: REMOVED L23 DRIVER OFFERING



2 SERIES LED WALLWASH

DIMMING COMPATIBILITY

PHILIPS DRIVER COMPATIBILITY

Power supply TR2 Manufacturer	Family/Model #
Lutron Electronics	DV-600P
Lutron Electronics	DVELV-303P
Lutron Electronics	NTELV-600
Lutron Electronics	MAELV-600
Lutron Electronics	SELV-300P
Lutron Electronics	DVLV-600P
Lutron Electronics	NFTU-5A
Lutron Electronics	CTCL-153P
Lutron Electronics	GL-600H
Lutron Electronics	S-600P
Lutron Electronics	PHPM
Power supply AN4 Manufacturer	Family/Model #
Lutron Electronics	DVTV plus PP-DV
Lutron Electronics	DVSCV plus PP-DV
Lutron Electronics	DVSTV
Lutron Electronics	DVSCSTV
Lutron Electronics	QSGRJ-XP plus GRX-TVI
Lutron Electronics	QSGRJ-XE plus GRX-TVI
Lutron Electronics	QSGR-XE plus GRX-TVI
Lutron Electronics	NFTV plus PP-DV
Lutron Electronics	NTSTV
Lutron Electronics	RMJ-5T
Lutron Electronics	RMJS-8T
Lutron Electronics	FCJS-010
Leviton	IlumaTch IP7 series
Philips	Sunrise - SR1200ZTUNV

LUTRON DRIVER COMPATIBILITY

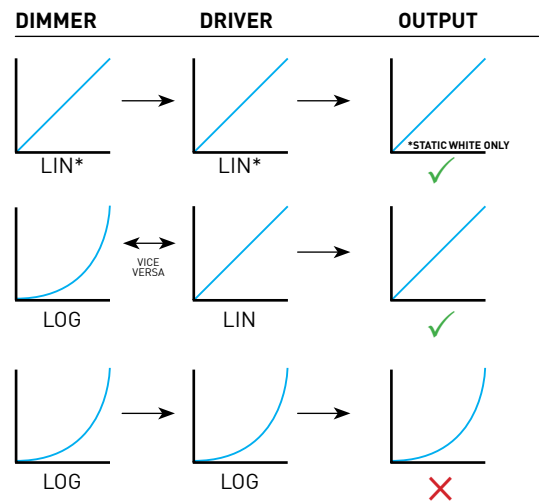
Power supply LH1 / LP1 Lutron Product Family	Part No.
PowPak Dimming Modules	RMJ-ECO32-DV-B
PowPak Dimming Modules	FCJ/FCJS-ECO
Energi Savr Nodes	QSN-1ECO-S
GRAFIK Eye QS control unit Homeworks QS control unit	QSN-2ECO-S
GRAFIK Eye QS control unit Homeworks QS control unit	QSGRJ- _E (wireless) QSGR- _E
Quantum Hub	QP2- _ _ 2C
Quantum Hub	QP2- _ _ 4C
Quantum Hub	QP2- _ _ 6C
Quantum Hub	QP2- _ _ 8C
Homeworks QS power module myRoom Plus power module	LQSE-2ECO-D



eldoLED DRIVER COMPATIBILITY

Power supply EA2/LA2 Manufacturer	Family/Model #
Busch-Jaeger	2112U-101
Jung	240-10
Leviton Lighting Controls	IP710-DLX
Lightolier Controls	ZP600FAM120
Merten	5729
Pass & Seymour	CD4FB-W
The Watt Stopper	DCLV1
Synergy	ISD BC
Crestron®	GLX-DIMFLV8
Crestron®	GLXP-DIMFLV8
Crestron®	GLPAC-DIMFLV4-*
Crestron®	GLPAC-DIMFLV8-*
Crestron®	GLPP-DIMFLVEX-PM
Crestron®	GLPP-1DIMFLV2EX-PM
Crestron®	GLPP-1DIMFLV3EX-PM
Crestron®	DIN-A08
Crestron®	DIN-4DIMFLV4
Crestron®	CLS-EXP-DIMFLV
Crestron®	CLCI-1DIMFLV2EX
Power supply EA2/LA2 Manufacturer	Family/Model #
Lutron Electronics	Nova T® - NTFTV
Lutron Electronics	Diva® - DVTV
Lutron Electronics	Nova® - NFTV
Lutron Electronics	GrafixEye® GRX-TVI w GRX3503
Lutron Electronics	Energy Savr Node™ - QSN-4T16-S
Lutron Electronics	TVM2 Module
Sensor Switch	nIO EZ
ABB	SD/S 2.16.1

ANALOG DRIVERS AND DIMMERS



LIN = LINEAR
 LOG = LOGARITHMIC
 *LIN-TO-LIN NOT COMPATIBLE FOR WARM-DIM