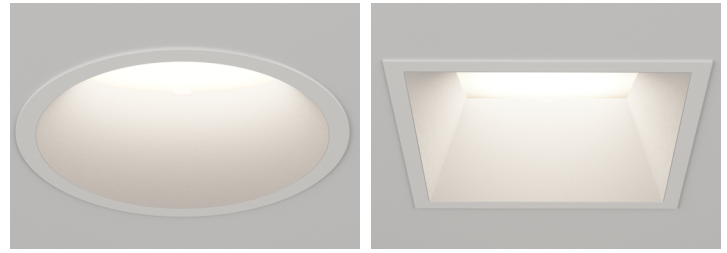


FRAXION®4

WALLWASH

Fraxion4 standard offers a traditional housing and separate trim assembly. Conversely, Fraxion4 Slim incorporates an LED, optic, and housing into a single complete unit featuring a removable baffle and trim.

PROJECT NAME:	TYPE:
---------------	-------



ORDERING INFORMATION - DOWNLIGHT / HOUSING



Quick Ship Product. All rough in components ship within 10 days up to quantities of 100.



JA8-2019 INDICATED BY SHADING

SHAPE	TRIM	RATING	FLANGE FINISH	BAFFLE FINISH	LUMEN PACKAGE	CCT	OPTIC	INSTALL TYPE	CEILING THICKNESS	DRIVER
F4R	Round	FWW Standard Flange MWW Microflange TWW Trimless	1 Dry/Damp 2 Wet*	WH White AG Satin Silver AU Cashmere Gold BB Burnt Bronze BK Black PR Primer 00 Trimless* CF Custom Finish*	WH White AG Satin Silver AU Cashmere Gold BB Burnt Bronze BK Black PR Primer CF Custom Finish*	LOW FLUX STATIC WHITE 80C12A 80+ CRI, Delivered Lumens - 599 80C16A 80+ CRI, Delivered Lumens - 819 80C23A 80+ CRI, Delivered Lumens - 1129 90C10A 90+ CRI, Delivered Lumens - 495 90C14A 90+ CRI, Delivered Lumens - 677 90C19A 90+ CRI, Delivered Lumens - 933 97C10A 97+ CRI, Delivered Lumens - 452 97C12A 97+ CRI, Delivered Lumens - 617 97C17A 97+ CRI, Delivered Lumens - 851 HIGH FLUX STATIC WHITE 80C30B 80+ CRI, Delivered Lumens - 1724* 90C26B 90+ CRI, Delivered Lumens - 1424* 97C23B 97+ CRI, Delivered Lumens - 1298* WARM DIM 90W11A 90+ CRI, Delivered Lumens - 684 Incandescent Profile 90W12A 90+ CRI, Delivered Lumens - 769 Standard Profile *SEE PAGE 3 FOR DETAILED WARM DIM PROFILE COMPARISON. TUNABLE WHITE 90T10B 90+ CRI, Delivered Lumens - 590* 90T14B 90+ CRI, Delivered Lumens - 807* *ALL DELIVERED LUMEN OUTPUTS AND T24 COMPLIANCE REFLECT 3000K.	22 2200K* *Only available with 90+ CRI 27 2700K 30 3000K 35 3500K 40 4000K 27 2700K 30 3000K 35 3500K* *Not available for 97+ CRI 40 4000K	WW Wallwash Optic IC IC NC NIC AT IC, Airtight* *ICCEA, Airtight & Title 24 compliant housing) HOUSING REMOTE DRIVER IR IC, Remote NR NIC, Remote AR IC, Airtight, Remote* *ICCEA, Airtight & Title 24 compliant housing) REMODEL RM Remodel RR Remote, Remodel IC HOUSING: 6.5" TALL NIC HOUSING: 4.5" TALL	HOUSING INTEGRAL DRIVER 1 0.125" - 1.25"* *Housing) 0.25" - 1.25"* *Remodel) 0.50" - 1.25"* *All Trimless) T 0.125" - 1.25"* *Includes adjustable housing height bracket)	DOMESTIC (120V) TR2 Philips, 2% Leading/Trailing/Triac* *Not available for 80C12A, 90C10A, or 97C10A unless 10° degree optic is specified. Not available for 80C30B, 90C26B, or 97C23B) L23 Lutron, Hi-Lume 1% 2-Wire UNIVERSAL (120-277V) LH1 Lutron, Hi-Lume 1% Ecosystem AN4 Philips Titanium 1% 0-10V, LOG LN2 Philips Titanium 1% 0-10V, LIN EA2 eldoLED, SOLdrive 0.1% 0-10V, LOG LA2 eldoLED, SOLdrive 0.1% 0-10V, LIN ED1 eldoLED, SOLdrive 0.1% DALI, LOG LD1 eldoLED, SOLdrive 0.1% DALI, LIN TUNABLE WHITE POWER SUPPLIES (120-277V) DD1 eldoLED, DUALdrive 0.1% DALI, LOG DG1 eldoLED, DUALdrive 0.1% 0-10V, LOG DL1 eldoLED, DUALdrive 0.1% 0-10V, LIN



PART NUMBER NOTES

- Trim ships as e.g., F4SMWW1-WHWH-90C10A2-5I1-AN4
- Housing ships as e.g., ICT-F4R-01
- Driver ships with trim
- Remote driver ships with trim as e.g., PSF4-RMT-90C-10A-1L23

FRAXION4 WALLWASH

ACCESSORIES

REPLACEMENT BAFFLE ASSEMBLY (INCLUDES EFFECTS DEVICE)

ASSEMBLY	SHAPE	TRIM	RATING	FLANGE FINISH
RBA				
REPLACEMENT BAFFLE ASSEMBLY	F4R Round	FWW Standard Flange MWW Microflange TWW Trimless	1 Dry / Damp 2 Wet	WH White BK Black PR Primer AU Cashmere Gold AG Satin Silver BB Burnt Bronze CF Custom Finish* *(Consult Factory)
	F4S Square	FWW Standard Flange MWW Microflange TWW Trimless		

1

LOW FLUX AND WARM DIM REPLACEMENT OPTIC

Interchangeable optics accessible through fixture aperture.

- RO-70-WW-1** Wallwash optic

HIGH FLUX AND TUNABLE WHITE REPLACEMENT OPTIC

Interchangeable optics accessible through fixture aperture.

- RO-70-WW-2** Wallwash optic

T-GRID ACCESSORY KIT

Supplied with ceiling thickness "T" and recommended for installations in T-Grid and furring channel up to 1.5" tall. Available for ceiling thicknesses from 0.50" - 1.00".

- DHA-TG-KIT**

HANGER BAR EXTENDER KIT

Extends hanger bars from 24.0" to 46.0" maximum.

- FRX-HBE-46** Extender, Hanger Bar

EMERGENCY LIGHTING - REMOTE MOUNT ONLY

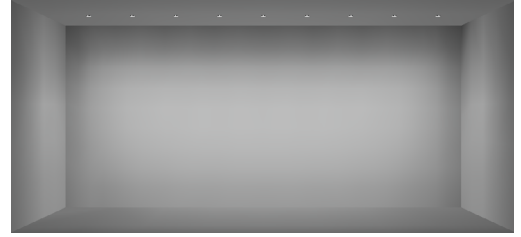
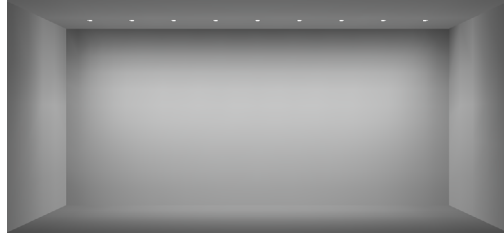
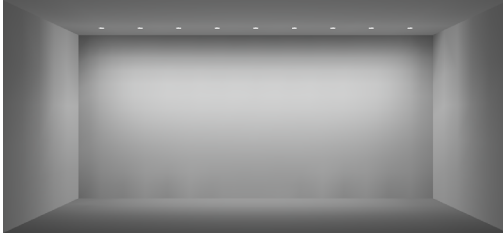
During disruption of main power, emergency battery inverter provides temporary 120V or 277V to fixture.

- EMB-S-20/25-120/277-LEDX** 20/25 watt max capacity, 120 or 277 VAC 60Hz, Non-Dimmable
- EMB-S-100-120-LEDX** 100 watt max capacity, 120 VAC 60Hz, Dimmable
- EMB-S-100-277-LEDX** 100 watt max capacity, 277 VAC 60Hz, Dimmable
- EMB-S-250-120/277-LEDX** 250 watt max capacity, 120 or 277 VAC 60Hz, Dimmable

FRAXION4 WALLWASH

WALLWASH DESIGN GUIDE

ROUND



RECOMMENDED

30" SETBACK / 30" ON CENTER SPACING

- AVERAGE FC: 23.81
- MIN / MAX: 4.23
- 10FT CEILING SHOWN / 8-12FT IDEAL
- 9 FIXTURES / 25FT WALL SHOWN

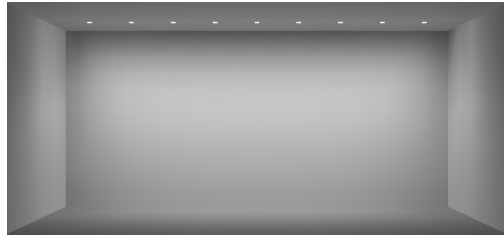
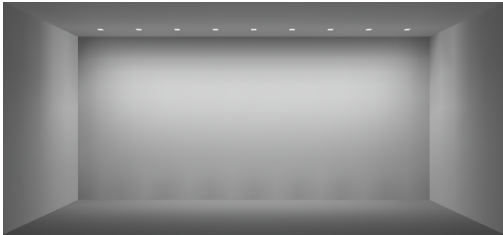
36" SETBACK / 36" ON CENTER SPACING

- AVERAGE FC: 18.27
- MIN / MAX: 4.43
- 10FT CEILING SHOWN / 8-12FT IDEAL
- 9 FIXTURES / 30FT WALL SHOWN

42" SETBACK / 42" SPACING ON CENTER

- AVERAGE FC: 14.44
- MIN / MAX: 5.51
- 10FT CEILING SHOWN / 8-12FT IDEAL
- 9 FIXTURES / 35FT WALL SHOWN

SQUARE



RECOMMENDED

30" SETBACK / 30" ON CENTER SPACING

- AVERAGE FC: 25.23
- MIN / MAX: 4.12
- 10FT CEILING SHOWN / 8-12FT IDEAL
- 9 FIXTURES / 25FT WALL SHOWN

36" SETBACK / 36" ON CENTER SPACING

- AVERAGE FC: 19.43
- MIN / MAX: 4.19
- 10FT CEILING SHOWN / 8-12FT IDEAL
- 9 FIXTURES / 30FT WALL SHOWN

42" SETBACK / 42" SPACING ON CENTER

- AVERAGE FC: 15.32
- MIN / MAX: 5.18
- 10FT CEILING SHOWN / 8-12FT IDEAL
- 9 FIXTURES / 35FT WALL SHOWN

ADDITIONAL SPACINGS AND SETBACKS

ROUND			
ON CENTER SPACING	SETBACK		
	30"	36"	42"
30"	SHOWN ABOVE	AVERAGE FC: 21.62 MIN / MAX: 4.38	AVERAGE FC: 19.42 MIN / MAX: 4.72
36"	AVERAGE FC: 16.38 MIN / MAX: 4.53	SHOWN ABOVE	AVERAGE FC: 16.53 MIN / MAX: 4.73
42"	AVERAGE FC: 17.28 MIN / MAX: 5.40	AVERAGE FC: 15.79 MIN / MAX: 5.41	SHOWN ABOVE

SQUARE			
ON CENTER SPACING	SETBACK		
	30"	36"	42"
30"	SHOWN ABOVE	AVERAGE FC: 23.05 MIN / MAX: 4.17	AVERAGE FC: 20.74 MIN / MAX: 4.15
36"	AVERAGE FC: 17.03 MIN / MAX: 4.26	SHOWN ABOVE	AVERAGE FC: 17.62 MIN / MAX: 4.51
42"	AVERAGE FC: 18.34 MIN / MAX: 5.00	AVERAGE FC: 16.79 MIN / MAX: 5.02	SHOWN ABOVE

***ALL DATA REFLECTS 90C19A LUMEN PACKAGE**

FRAXION4 WALLWASH

PERFORMANCE - 3000K

LUMEN PACKAGE	WATTAGE	WALLWASH OPTIC	
		DELIVERED	LPW
80C12A	10	599	59
80C16A	17	819	57
80C23A	21	1129	53
80C30B	30	1724	57
90C10A	10	495	49
90C14A	17	677	47
90C19A	21	933	44
90C26B	30	1424	47
97C10A	10	452	45
97C12A	17	617	43
97C17A	21	851	40
97C23B	30	1298	43
90W11A	14	684	48
90W12A	14	769	54
90T10B	14	590	42
90T14B	22	807	36

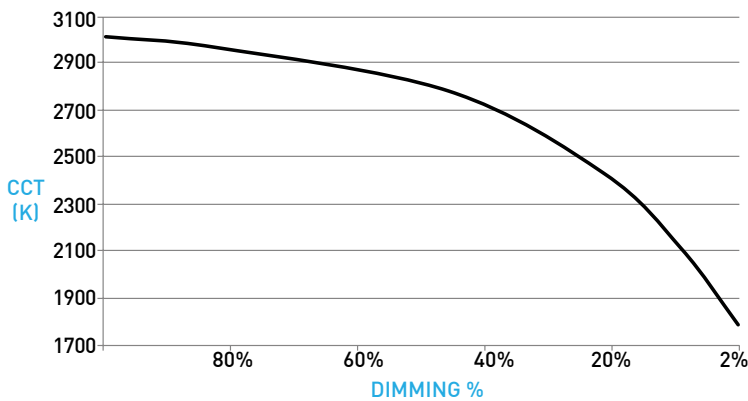
OUTPUT MULTIPLIER	
CCT	CCT SCALE
2200K (Consult factory for JA8 details)	0.800
2700K	0.957
3000K	1.000
3500K	1.019
4000K	1.030

TITLE 24 JA8-2019 INDICATED BY SHADING

WARM DIM PERFORMANCE

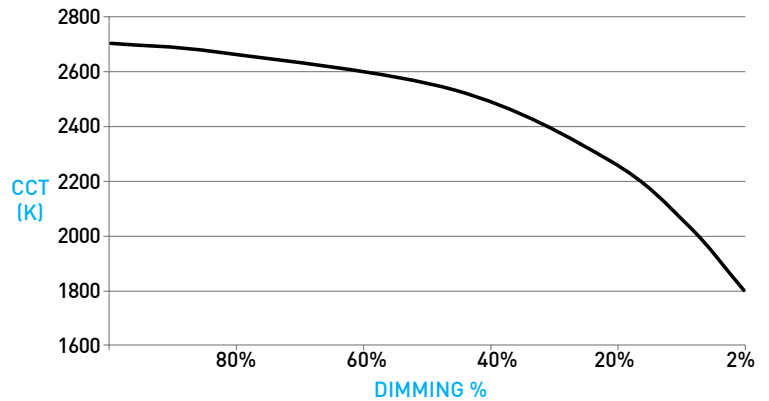
WARM DIM TO MIRROR STANDARD DIMMING PROFILE

90W12A 3000K - 1800K	Full on 100%	Dimmed to 80%	Dimmed to 70%	Dimmed to 50%	Dimmed to 20%	Dimmed to 10%	Dimmed to 2%
CCT (K)	3200	3150	3100	3000	2700	2200	1800
Light Output (Lm)	769	615	538	384	153	76	15
Power (W)	14	11	10	7	3	1.5	0.3
Efficacy (LPW)	54	54	54	54	54	54	54



WARM DIM TO MIRROR INCANDESCENT DIMMING PROFILE

90W11A 2700K - 1800K	Full on 100%	Dimmed to 80%	Dimmed to 70%	Dimmed to 50%	Dimmed to 20%	Dimmed to 10%	Dimmed to 2%
CCT (K)	2700	2650	2620	2520	2180	1950	1800
Light Output (Lm)	684	547	479	342	136	68	13
Power (W)	14	11	10	7	3	1.5	0.5
Efficacy (LPW)	48	48	48	48	48	48	48



FRAXION4 WALLWASH

DOWNLIGHT

A BAFFLE

ROUND / SQUARE

Die-cast removable baffle provides easy access to tilting mechanism. Minimizes aperture glare and conceals view into housing; includes silicone gasket.

TRANSITIONAL BAFFLE

Die-cast removable baffle transitions from square aperture at ceiling plane to round aperture at light source. Minimizes aperture glare and conceals view into housing; includes silicone gasket.

B RETENTION

Integrated metal arm clamps located within fixture body allow discreet flange design, while accommodating varying ceiling thicknesses from 0.125" to 1.25". Snap-on spacer clips (3X) supplied for ceiling thickness below 0.50" only.

C1 STANDARD FLANGE PROFILE

Provides 0.86" total contractor (goof) allowance with 0.50" flange. Thickness measures 0.06". Wet location features integral silicone gasket.

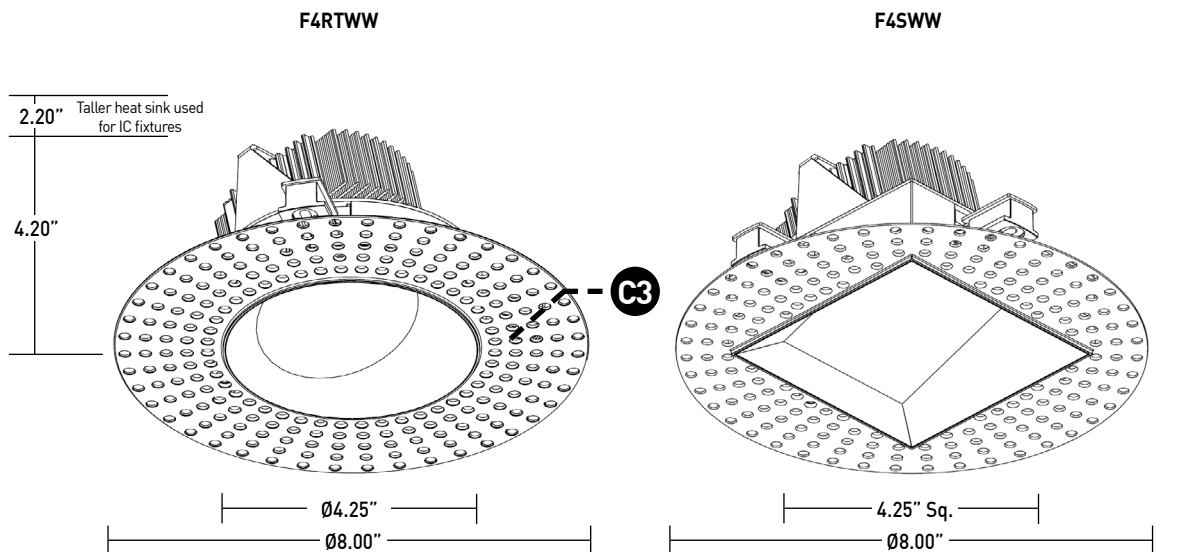
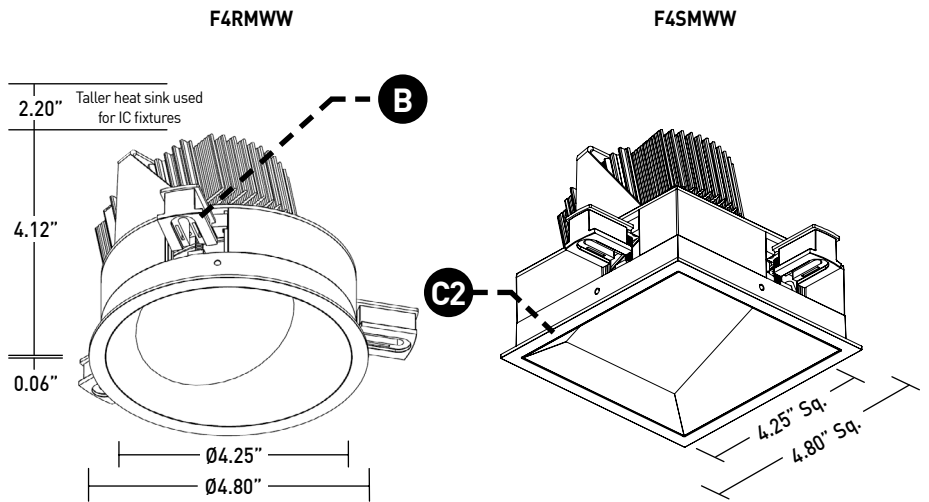
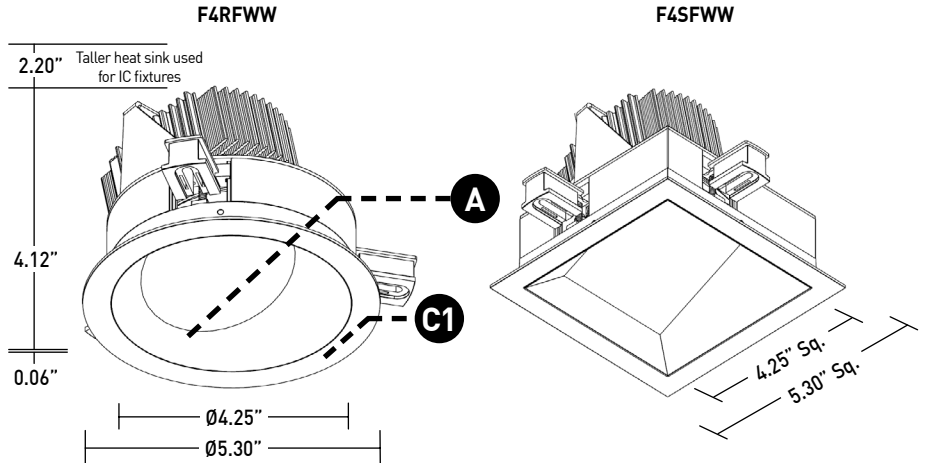
C2 MICROFLANGE PROFILE

Provides industry standard 0.42" total contractor (goof) allowance with 0.28" flange. Thickness measures 0.06". Wet location features integral silicone gasket.

C3 TRIMLESS PROFILE

Installs totally flush with the ceiling with no visible trim. Features integrated appliqué for plaster floating directly to the baffle, thickness measures 0.15" including 0.06" plaster stop. Not recommended for stucco applications.

DIMENSIONS / DRAWINGS



FRAXION4 WALLWASH

DOWNLIGHT / HOUSING

D OPTIC
Proprietary wallwash optic design integrates Reflection, Refraction and TIR principles.

E EFFECTS DEVICES
Asymmetrical spread lens, included and sealed in place, combined with angled optic and wide aperture enhance uniformity.

HOUSING / MOUNTING

F ICT (IC) HOUSING - TALL

- For IC ceilings.
- CCEA, Airtight and Title 24 (JA8) listed.
- Accommodates max 1711 delivered lumens.
- No setback from polycell spray foam insulation having max R-Value of 60 on all sides and top of housing.

G NCM (NIC) HOUSING - MEDIUM

- Minimum 0.50" setback from combustible and non-combustible materials on all sides and top of housing.
- Minimum 3.00" setback from insulation material having max R-Value 30 on all sides and top of housing.
- Minimum 6.00" setback from polycell spray foam insulation having max R-Value 60.

H HOUSING COLLAR

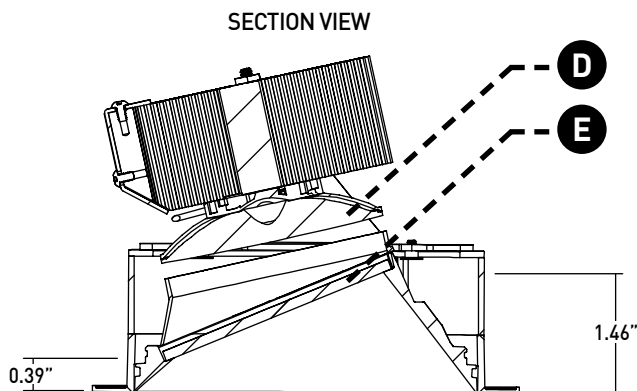
- Requires 4.625" cutout.
- Fixed round aperture or square aperture with 45 degree rotation that locks from below providing easy alignment of square aperture housings.
- Accommodates varying ceiling thicknesses.

I ADJUSTABLE HANGER BAR HEIGHT ACCESSORY
Provided with ceiling thickness "T" and recommended for installations in T-Grid and with furring channel. Hanger bars are installed to adjustable bracket. Allows housing to be raised and lowered; ceiling thickness remains 0.5" to 1.0" max.

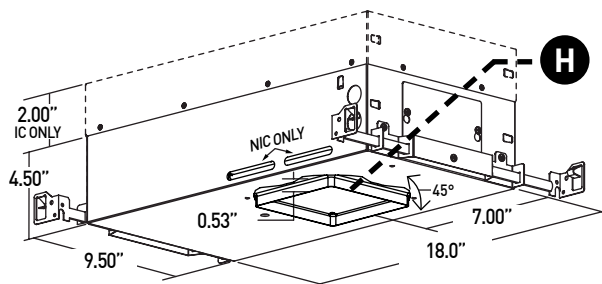
HOUSING / MOUNTING NOTES

- Do not install in environments where ambient temperatures exceed 40°C (104°F).
- Power supply compartment and all splice connections may be serviced from room side.
- Consult factory for spacing requirements for any installations exceeding R-Value 60.
- Hanger bars fitted to short side of housing, and long side of Low Flux housings; extend from 14.0" to 24.0", but may be field cut to accommodate narrow stud spacing. Can be extended up to 46" maximum with FRX-HBE-46 kit.
- Hanger bars and brackets add 4.00" to the overall dimension, but are exclusive of the setback requirements.
- Driver assembly ships with trim, not housing. Housing and trim feature mating quick-connect plugs for ease of installation.

DIMENSIONS / DRAWINGS

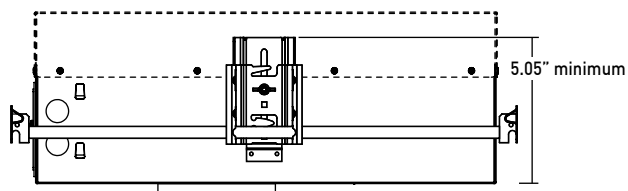


F / G



NOTE: Square housing shown, housing will feature round aperture for round fixtures.

I

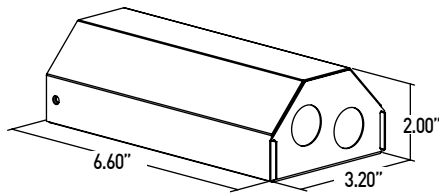


FRAXION4 WALLWASH

REMOTE POWER SUPPLY

- Provided with install types "IR", "NR" and "AR". Remote power supply provides additional driver options. See page 8 for maximum allowable wiring distance. Must be installed in an accessible location.

J / L

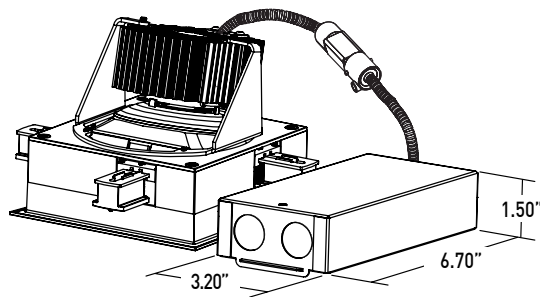


REMODEL POWER SUPPLY

K REMODEL WITH NON-IC TETHERED POWER SUPPLY

- Requires 4.42" cutout.
- Installs without conventional housing using integral mounting clamps.
- Tethered power supply / junction box with metal conduit protected wiring and quick-connect plug between fixture and power supply.
- Minimum 0.75" clearance from top of trim.
- Minimum setback from combustible and non-combustible materials of 6.63" radius from fixture centerline; minimum 3.00" from surfaces of power supply / junction box if not situated within above noted radius from fixture centerline.
- Minimum additional 3.00" setback from insulation material with max R-Value 30 from any surface of downlight fixture assembly.
- Minimum additional 6.00" setback from polycell spray foam insulation with max R-Value 60 from any surface of downlight fixture assembly.

K



L REMOTE APPLICATIONS

- Remote power supply included with "RR" Install Type.
- Requires plenum rated Class 2 cable between fixture and remote driver. Cable supplied by others.
- See page 7 for maximum allowable wiring distance.

REMODEL NOTES

- Do not install in environments where ambient temperatures exceed 40°C (104°F).
- All splice connections serviceable from room side.
- Consult factory for spacing requirements for any installations exceeding R-Value 60.

FRAXION4 WALLWASH

TECHNICAL

CONSTRUCTION

Downlight: Aluminum and steel. Extruded aluminum heat-sink. Painted finishes are granulated powder coat.

Housing: 22 Gauge galvanized steel.

Remote Power Supply: 22 Gauge galvanized steel.

Appliqué: Zinc Alloy

STATIC WHITE LED

2-step MacAdam ellipse LED module available in 80+, 90+ and 97+ CRI configurations in color temperatures of 2200K, 2700K, 3000K, 3500K and 4000K. Average rated lamp life of 50,000 hours. LED and driver assemblies are field-replaceable.

WARM DIM LED

3-step MacAdam ellipse warm dim LED module available in 90+ CRI configuration. 3000K or 2700K at full brightness, warming to 1800K at full dim. Average rated lamp life of 50,000 hours. LED and driver assemblies are field-replaceable.

TUNABLE WHITE LED

5-step MacAdam ellipse tunable white LED module available in 90+ CRI configuration. Features tuning range of 2700K to 5000K. Average rated lamp life of 50,000 hours. LED and driver assemblies are field-replaceable.

POWER SUPPLY PERFORMANCE AND DIMMING INFORMATION

Power Supply	ELV		ECO	0-10V							DALI		
	TR2	L23	LH1	AN4	LN2	EA2	LA2	DL1	DG1	ED1	LD1	DD1	
Minimum °C	-20 °C	0 °C	0 °C	-20 °C	-20 °C	-20 °C	-20 °C	-20 °C	-20 °C	-20 °C	-20 °C	-20 °C	
Maximum °C	40 °C	40 °C	40 °C	40 °C	40 °C	40 °C	40 °C	40 °C	40 °C	40 °C	40 °C	40 °C	
Dimming %	2.0%	1.0%	1.0%	1.0%	1.0%	0.1%	0.1%	0.1%	0.1%	0.1%	0.1%	0.1%	

Note: For TR2, L23, LH1, LP1, AN4, EA2 and LA2 drivers consult chart on page 9 to confirm appropriate dimming curve for compatibility with selected control.

MAXIMUM ALLOWABLE REMOTE DRIVER WIRING DISTANCES

DRIVER	WIRE AWG				
	12	14	16	18	20
TR2, AN4, LN2	285'	180'	113'	71'	45'
L23, LH1	60'	40'	25'	15'	-
EA2, LA2, ED1, LD1, DG1, DL1, DD1	-	-	118'	72'	46'

SPACING

Recommended fixture spacing is 36" (914mm) on center with 36" (914mm) setback from wall plane.

LISTING

cTUVus listed to UL1598 standard for Dry / Damp and Wet locations.

CCEA, Airtight and Title 24 JA8-2019 Listed.

U.S. Patent: 10,344,958

WEIGHT

Trim - 2.8 lbs max

IC Housing - 7 lbs

NIC Housing - 6 lbs

Remote / Remodel Driver - 1.4 lbs

LIMITED WARRANTY

Manufacturer's Limited Warranty guarantees product(s) listed to be free from defects in material and workmanship under normal use and service for 1-year. LED and power supplies are warranted to operate with 70% of original flux and remain within a range of 3 duv for a period of 5-years.

10-year Lutron Advantage limited warranty available on Lutron equipped systems. Warranty period begins from the date of shipment by Seller and conditional upon the use of manufacturer-supplied power supply. [Consult website for full warranty terms and conditions.](#)

CHANGE LOG

1. 01/12/2021: ADDED 2200K, 2700K-1800K WARM DIM AND 10 DEGREE OPTIC OFFERINGS.

2. 03/15/2021: UPDATED HIGH FLUX STATIC WHITE PHOTOMETRICS.

3. 03/15/2021: REMOVED HIGH FLUX 97+ CRI 3500K OFFERING.

4. 04/07/2022: REMOVED REMOTE REMODEL ACCESSORY KIT PSF4-RMT-AK.

5. 10/17/2022: REMOVED 90W13A 3200K-1800K WARM DIM AND ADDED 90W12A 3000K-1800K WARM DIM.