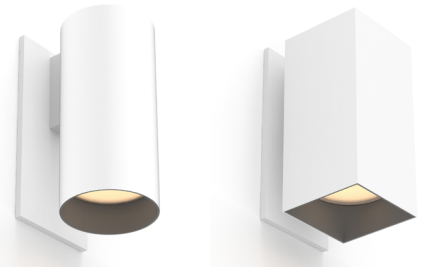


WALL SCONCE CYLINDER & SQUILINDER®

| | |
|---------------|-------|
| PROJECT NAME: | TYPE: |
|---------------|-------|

Exceptional adaptability and performance in classic and modern silhouettes that mount seamlessly and invisibly to the wall.



ORDERING INFORMATION

TITLE 24 JA8-2019 INDICATED BY SHADING

| SHAPE | TYPE | RATING | BODY FINISH | BAFFLE FINISH | LUMEN PACKAGE | OCT | LOWER OPTIC | UPPER OPTIC | DRIVER | LOWER LENS | UPPER LENS |
|-----------------------|--------------------------|--------------|--|--|---|--|--|---|--|--|---|
| | | 2 | | | | | | | | | |
| CW2 Cylinder | DF Downlight | 2 Wet (IP65) | WH White | WH White | DOWNLIGHT (DF) STATIC WHITE | 22 2200K* *Only available for 90+ CRI) | 15 15° 25 25° 40 40° 60 60° | 00 DF Only* *(Required with DF fixture) | DOWNLIGHT (DF) INTEGRAL | 3 Clear Glass Lens* *(Not available for Warm Dim) | 9 Diffusion Lens* *(Required with UD fixture) |
| SW2 Squilinder | UD Up / Downlight | | AG Satin Silver | AG Satin Silver | 80C12A 80+ CRI, Delivered Lumens - 789 | 27 2700K | | | RP1 120V, 1% ELV / TRIAC or 120-277V, 1% 0-10V Analog Logarithmic | 4 Soft Focus Lens | LEAVE BLANK FOR DOWNLIGHT (DF) |
| | | | AU Cashmere Gold | AU Cashmere Gold | 80C23A 80+ CRI, Delivered Lumens - 1495 | 30 3000K | | | REMOTE (120V) | 5 Frosted Glass Lens | |
| | | | BB Burnt Bronze | BB Burnt Bronze | 90C10A 90+ CRI, Delivered Lumens - 675 | 35 3500K | | | | TR2 Philips, 2% Leading/Trailing/Triac* *(Only available with 80C19A, 90C15A and 97C14A) | |
| | | | AB Architectural Bronze | AB Architectural Bronze | 90C15A 90+ CRI, Delivered Lumens - 1047 | 40 4000K | | | UP / DOWNLIGHT (UD) INTEGRAL | 7 Frosted Linear Spread Lens* *(Not available for Squilinder) | |
| | | | BK Black | BK Black | 90C20A 90+ CRI, Delivered Lumens - 1278 | | | | | CA3 120-277V, 2% 0-10V Analog Logarithmic | |
| | | | CF Custom Finish* *(Consult Factory) | CF Custom Finish* *(Consult Factory) | 97C09A 97+ CRI, Delivered Lumens - 607 | | | | CE3 120V, 2% Electronic ELV Forward / Reverse Phase | | |
| | | | | | 97C14A 97+ CRI, Delivered Lumens - 933 | | | | | | |
| | | | | | 97C18A 97+ CRI, Delivered Lumens - 1146 | | | | | | |
| | | | | | DOWNLIGHT (DF) WARM DIM | | 25 25° 40 40° 60 60° | 00 DF Only* *(Required with DF fixture) | | | |
| | | | | 90W11A 90+ CRI, Delivered Lumens - 931 Incandescent Profile | WL 2700K - 1800K | | | | | | |
| | | | | 90W12A 90+ CRI, Delivered Lumens - 1047 Standard Profile | WD 3000K - 1800K | | | | | | |
| | | | | *SEE PAGE 3 FOR DETAILED WARM DIM PROFILE COMPARISON. | | | | | | | |
| | | | | | UP / DOWNLIGHT (UD) STATIC WHITE | 22 2200K* *Only available for 90C10A) | 15 15° 25 25° 40 40° 60 60° | 15 15° 40 40° 60 60° | DOWNLIGHT (DF) & UP / DOWNLIGHT (UD) REMOTE (120V) | | |
| | | | | | 80C12A 80+ CRI, 1200 Source Lumens (Delivered - 1,708) | 27 2700K | | | L23 Lutron, Hi-Lume 1% 2-Wire | | |
| | | | | | 90C10A 90+ CRI, 1000 Source Lumens (Delivered - 1,465) | 30 3000K | | | REMOTE (120-277V) | | |
| | | | | | 97C09A 97+ CRI, 900 Source Lumens (Delivered - 1,314) | 35 3500K 40 4000K | | | LH1 Lutron, Hi-Lume 1% Ecosystem | | |
| | | | | | *ALL DELIVERED LUMEN OUTPUTS AND T24 COMPLIANCE REFLECT 3000K PAIRED WITH 60° OPTIC AND SOFT FOCUS LENS. REFERENCE PAGE 3 FOR ADDITIONAL T24 COMPLIANT CONFIGURATIONS. | | | | AN4 Philips Titanium 1% 0-10V, LOG | | |
| | | | | | | | | | EA2 eldoLED, SOL0drive 0.1% 0-10V, LOG | | |
| | | | | | | | | | ED1 eldoLED, SOL0drive 0.1% DALI, LOG | | |



SPECIFICATION NOTES

- Wall Sconce (ex.) CW2-DF2-WHBK-90C20A2-30-RP1-40
- Wall Sconce (ex.) SW2-UD2-WHBK-80C12A2-33-RMT-49
- Up / Downlight (UD) fixtures require two remote drivers
- Remote driver(s) ships as (ex.) PS-RMT-80C12A-1L23

WALL SCONCE

ACCESSORIES

CYLINDER ALTERNATE BAFFLE AND EFFECTS DEVICE

Includes baffle with sealed lens.

Must specify baffle finish.

RBA-CY2--CGL** Clear Glass Lens*

*(Not available for Warm Dim)

RBA-CY2--SFL** Soft Focus Lens

RBA-CY2--FGL** Frosted Glass Lens

RBA-CY2--FSFL** Frosted Soft Focus Lens

RBA-CY2--FSL** Frosted Linear Spread Lens

** Baffle finish: Specify **WH** for white, **BK** for black, **AG** for satin silver, **AB** for architectural bronze, **AU** for cashmere gold, or **BB** for burnt bronze.

LOWER REPLACEMENT OPTIC

RO-70-15-1 15° optic

RO-70-25-1 25° optic

RO-70-40-1 40° optic

RO-70-60-1 60° optic

REPLACEMENT SUCTION TOOL

Included with each order (1 per 10 fixtures).

CY-SQ-TOOL-SUCTION Baffle assembly removal tool

EMERGENCY LIGHTING - REMOTE MOUNT ONLY

During disruption of main power, emergency battery inverter provides temporary 120V or 277V to fixture.

EMB-S-20/25-120/277-LEDX 20/25 watt max capacity, 120 or 277 VAC 60Hz, Non-dimmable

EMB-S-100-120-LEDX 100 watt max capacity, 120 VAC 60Hz, Dimmable

EMB-S-100-277-LEDX 100 watt max capacity, 277 VAC 60Hz, Dimmable

EMB-S-250-120/277-LEDX 250 watt max capacity, 120 or 277 VAC 60Hz, Dimmable

SQUILINDER ALTERNATE BAFFLE AND EFFECTS DEVICE

Includes baffle with sealed lens.

Must specify baffle finish.

RBA-SQ2--CGL-2** Clear Glass Lens*

*(Not available for Warm Dim)

RBA-SQ2--SFL-2** Soft Focus Lens

RBA-SQ2--FGL-2** Frosted Glass Lens

RBA-SQ2--FSFL-2** Frosted Soft Focus Lens

** Baffle finish: Specify **WH** for white, **BK** for black, **AG** for satin silver, **AB** for architectural bronze, **AU** for cashmere gold, or **BB** for burnt bronze.

UPPER REPLACEMENT OPTIC

RO-50-15-1 15° optic

RO-50-40-1 40° optic

RO-50-60-1 60° optic

STATIC WHITE PERFORMANCE - 3000K - SOFT FOCUS LENS

| LUMEN PACKAGE | WATTAGE | 15° OPTIC | | 25° OPTIC | | 40° OPTIC | | 60° OPTIC | |
|------------------|---------|-----------|-----|-----------|-----|-----------|-----|-----------|-----|
| | | DELIVERED | LPW | DELIVERED | LPW | DELIVERED | LPW | DELIVERED | LPW |
| DOWNLIGHT | | | | | | | | | |
| 80C12A | 10 | 813 | 81 | 764 | 76 | 706 | 70 | 789 | 78 |
| 80C19A | 17 | 1257 | 74 | 1182 | 69 | 1092 | 64 | 1221 | 72 |
| 80C23A | 21 | 1539 | 73 | 1448 | 68 | 1337 | 63 | 1495 | 71 |
| 90C10A | 10 | 695 | 69 | 654 | 65 | 604 | 60 | 675 | 68 |
| 90C15A | 17 | 1078 | 63 | 1014 | 59 | 937 | 55 | 1047 | 61 |
| 90C20A | 21 | 1313 | 62 | 1235 | 58 | 1140 | 54 | 1275 | 60 |
| 97C09A | 10 | 625 | 62 | 588 | 58 | 543 | 54 | 607 | 60 |
| 97C14A | 17 | 961 | 57 | 904 | 53 | 835 | 49 | 933 | 55 |
| 97C18A | 21 | 1180 | 56 | 1110 | 52 | 1025 | 48 | 1146 | 54 |
| 90W11A | 16 | - | - | 901 | 56 | 766 | 47 | 931 | 58 |
| 90W12A | 16 | - | - | 1013 | 63 | 861 | 53 | 1047 | 64 |
| UPLIGHT | | | | | | | | | |
| 80C12A* | 10 | 922 | 92 | - | - | 881 | 88 | 919 | 92 |
| 90C10A* | 10 | 793 | 79 | - | - | 757 | 76 | 790 | 79 |
| 97C09A* | 10 | 709 | 71 | - | - | 677 | 68 | 707 | 71 |

| OUTPUT MULTIPLIER | |
|--|-----------|
| CCT | CCT SCALE |
| 2200K (Consult factory for JA8 details) | 0.800 |
| 2700K | 0.957 |
| 3000K | 1.000 |
| 3500K | 1.019 |
| 4000K | 1.030 |

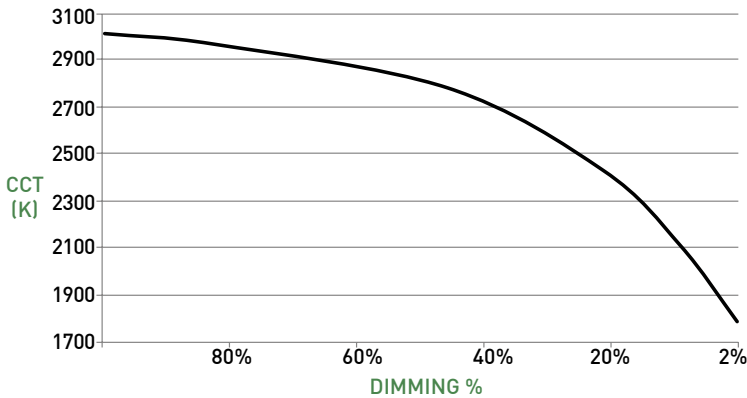
| LIGHT LOSS FACTOR | |
|-------------------|------|
| No Lens | 1.05 |
| CGL | 1.00 |
| SFL | 1.00 |
| FGL | 0.90 |
| FSFL | 0.87 |
| FLSL | 0.83 |

***NOTE:** To determine total performance for up / downlight (UD) fixture, add delivered lumens of Up and Down configurations and divide by total system wattage (20W = 10W Up + 10W Down).

WARM DIM PERFORMANCE - SOFT FOCUS LENS - 40° OPTIC

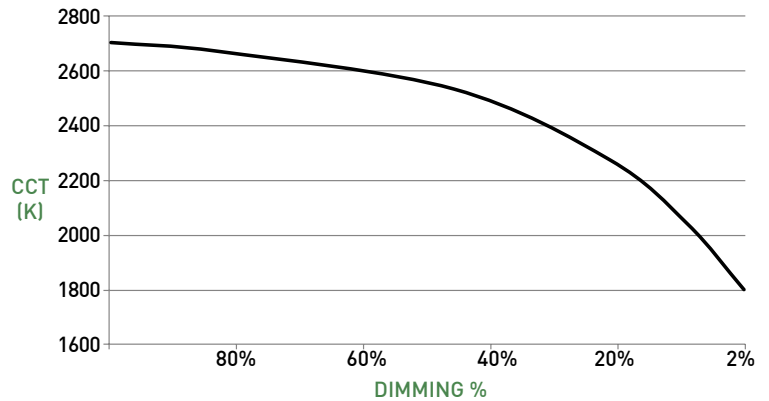
STANDARD WARM DIM PROFILE

| 90W12A 3000K - 1800K | Full on 100% | Dimmed to 80% | Dimmed to 70% | Dimmed to 50% | Dimmed to 20% | Dimmed to 10% | Dimmed to 2% |
|-------------------------|-----------------|------------------|------------------|------------------|------------------|------------------|-----------------|
| CCT (K) | 3000 | 2950 | 2920 | 2775 | 2375 | 2000 | 1800 |
| Light Output (Lm) | 1047 | 837 | 732 | 523 | 209 | 104 | 20 |
| Power (W) | 14 | 11 | 10 | 7 | 3 | 1.5 | 0.3 |
| Efficacy (LPW) | 64 | 64 | 64 | 64 | 64 | 64 | 64 |



WARM DIM TO MIRROR INCANDESCENT DIMMING PROFILE

| 90W11A 2700K - 1800K | Full on 100% | Dimmed to 80% | Dimmed to 70% | Dimmed to 50% | Dimmed to 20% | Dimmed to 10% | Dimmed to 2% |
|-------------------------|-----------------|------------------|------------------|------------------|------------------|------------------|-----------------|
| CCT (K) | 2700 | 2650 | 2620 | 2520 | 2180 | 1950 | 1800 |
| Light Output (Lm) | 931 | 744 | 651 | 465 | 186 | 93 | 18 |
| Power (W) | 16 | 13 | 11 | 8 | 3 | 1.7 | 0.3 |
| Efficacy (LPW) | 58 | 58 | 58 | 58 | 58 | 58 | 58 |

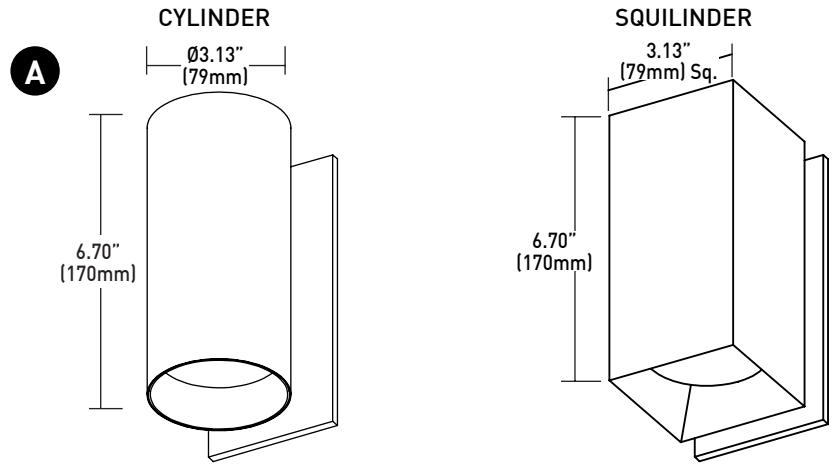


WALL SCONCE

CYLINDER

- A LUMINAIRE**
Machined aluminum body with integrated heat sink and LED; power supply may be integral or remote mount.
- B LOWER OPTIC**
Proprietary optics available in 15°, 25°, 40° & 60° beams.
- C LOWER EFFECTS DEVICES**
Cylinder baffle lens assembly can accept 1 lens sealed in place. Soft focus lens included as standard for lens. Suction tool provided for removal of baffle lens assembly.
- D UPPER EFFECTS DEVICES**
Cylinder assembly can accept 1 lens sealed in place. Diffusion lens included as standard for lens.
- E UPPER OPTIC**
Proprietary field-changeable optics available in 15°, 40° & 60° beams.

DIMENSIONS / DRAWINGS

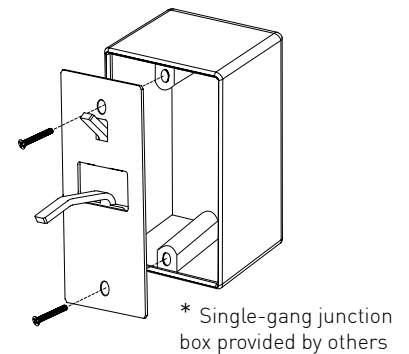
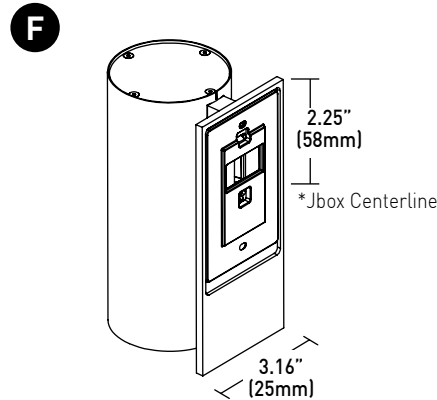
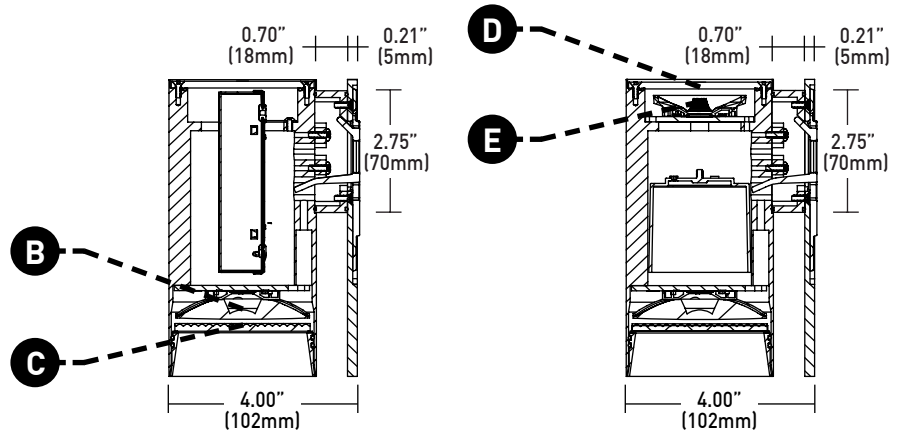


MOUNTING

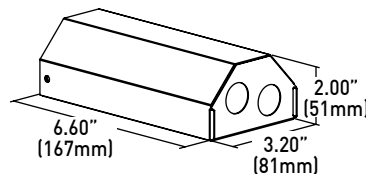
- F MOUNTING PLATE**
Mounting plate (concealed) with factory supplied hidden screws after wall is fully finished. Single-gang junction box required for mounting. Fixture to mount flush with minimalist transition to wall.

REMOTE POWER SUPPLY

- G PS-RMT**
Remote power supply provides additional driver options. Consult installation guide for maximum allowable secondary run lengths between PS-RMT and fixture. Must be installed in an accessible location.



- G PS-RMT weight - 1.40 lbs**



WALL SCNCE

TECHNICAL

CONSTRUCTION

Cylinder / Squilinder: Machined aluminum body; extruded aluminum internal heat-sink; painted finishes are granulated powder coat.

Remote Power Supply: 22 Gauge galvanized steel.

STATIC WHITE LED

2-step MacAdam ellipse LED module available in 80+, 90+ and 97+ CRI configurations in color temperatures of 2200K, 2700K, 3000K, 3500K and 4000K. Average rated lamp life: 50,000 hours. LED and driver assemblies are field-replaceable.

WARM DIM LED

3-step MacAdam ellipse warm dim LED module available in 90+ CRI configuration. 3000K or 2700K at full brightness, warming to 1800K at full dim. Average rated lamp life of 50,000 hours. LED and driver assemblies are field-replaceable.

POWER SUPPLY PERFORMANCE AND DIMMING INFORMATION

| Power Supply | CA3 | CE3 | RP1 | TR2 | L23 | LH1 | AN4 | EA2 | ED1 |
|--------------|--------|--------|--------|--------|-------|-------|--------|--------|--------|
| Minimum °C | -20 °C | -20 °C | -10 °C | -20 °C | 0 °C | 0 °C | -20 °C | -20 °C | -20 °C |
| Maximum °C | 40 °C | 40 °C | 40 °C | 40 °C | 40 °C | 40 °C | 40 °C | 40 °C | 40 °C |
| Dimming % | 2.0% | 2.0% | 1.0% | 2.0% | 1.0% | 1.0% | 1.0% | 0.1% | 0.1% |

Note: For TR2, L23, LH1, AN4 and EA2 drivers consult chart on page 6 to confirm appropriate dimming curve for compatibility with selected control.

MAXIMUM ALLOWABLE REMOTE DRIVER WIRING DISTANCES

| DRIVER | WIRE AWG | | | | |
|----------|----------|------|------|-----|-----|
| | 12 | 14 | 16 | 18 | 20 |
| TR2, AN4 | 285' | 180' | 113' | 71' | 45' |
| L23, LH1 | 60' | 40' | 25' | 15' | - |
| EA2, ED1 | - | - | 118' | 72' | 46' |

MOUNTING

Cylinder is supplied with a mounting adaptor plate providing a minimalist transition accommodating wall thicknesses of 0.44" (7/16", 12mm) to 0.75" (3/4", 19mm).

OPERATING TEMPERATURE

Down Light: 104°F (40°C).

LISTING

cTUVus listed to UL1598 standard for Dry / Damp and Wet (IP65) locations. Title 24 JA8-2019 Listed.

FIXTURE

Fixture - 2 lbs

Remote Driver - 1.4 lbs

LIMITED WARRANTY

Manufacturer's 1-year warranty guarantees product(s) listed to be free from defects in material and workmanship under normal use and service. 5-year warranty on LED and power supply to operate with 70% of the original flux and remain within a range of 3 duv. 10-year Lutron Advantage limited warranty available on Lutron equipped systems. Warranty period begins from the date of shipment by Seller and conditional upon the use of manufacturer-supplied power supply. [Consult website for full warranty terms and conditions.](#)

CHANGE LOG

- 1.01/12/2021: ADDED 2200K, 2700K-1800K WARM DIM OFFERINGS.
- 2.10/17/2022: REMOVED 90W13A 3200K-1800K WARM DIM AND ADDED 90W12A 3000K-1800K WARM DIM.

WALL SCNCE

DIMMING COMPATIBILITY

PHILIPS DRIVER COMPATIBILITY

| Power supply TR2 | Family/Model # |
|--------------------|-----------------------|
| Lutron Electronics | DV-600P |
| Lutron Electronics | DVELV-303P |
| Lutron Electronics | NTELV-600 |
| Lutron Electronics | MAELV-600 |
| Lutron Electronics | SELV-300P |
| Lutron Electronics | DVLV-600P |
| Lutron Electronics | NFTU-5A |
| Lutron Electronics | CTCL-153P |
| Lutron Electronics | GL-600H |
| Lutron Electronics | S-600P |
| Lutron Electronics | PHPM |
| Power supply AN4 | Family/Model # |
| Lutron Electronics | DVTV plus PP-DV |
| Lutron Electronics | DVSCTV plus PP-DV |
| Lutron Electronics | DVSTV |
| Lutron Electronics | DVSCSTV |
| Lutron Electronics | QSGRJ-XP plus GRX-TVI |
| Lutron Electronics | QSGRJ-XE plus GRX-TVI |
| Lutron Electronics | QSGR-XE plus GRX-TVI |
| Lutron Electronics | NFTV plus PP-DV |
| Lutron Electronics | NTSTV |
| Lutron Electronics | RMJ-5T |
| Lutron Electronics | RMJS-8T |
| Lutron Electronics | FCJS-010 |
| Leviton | IllumaTch IP7 series |
| Philips | Sunrise - SR1200ZTUNV |

LUTRON DRIVER COMPATIBILITY

| Power supply L23 | Part No. |
|---|------------------------------|
| Maestro WirelessR 600 W dimmer | MRF2-6ND-120- |
| Maestro WirelessR 1000 W dimmer | MRF2-10ND-120- |
| Caséta® Wireless Pro 1000 W dimmer | PD-10NXD- |
| GRAFIK T™ CL® dimmer | GT-250M-GTJ-250M- |
| HomeWorks® QS adaptive dimmer | HQRD-6NA- |
| HomeWorks® QS 600 W dimmer | HQRD-6ND- |
| HomeWorks® QS 1000 W dimmer | HQRD-10ND- |
| RadioRA® 2 adaptive dimmer | RRD-6NA- |
| RadioRA® 2 1000 W dimmer | RRD-10ND |
| myRoom™ DIN power module | MQSE-4A1-D |
| HomeWorks® QS DIN power module | LQSE-4A1-D |
| HomeWorks® QS wallbox power module | HQRJ-WPM-6D-120 |
| HomeWorks® wallbox power module | HWI-WPM-6D-120 |
| GRAFIK Eye® QS control unit | QSGR-, QSGRJ- |
| GRAFIK Eye® 3000 control unit | GRX-3100-GRX-3500- |
| RPM-4U module (LCP, HomeWorks® QS, GRAFIK Systems™, Quantum®) | HW-RPM-4U-120 LP-RPM-4U-120 |
| RPM-4A module (LCP, HomeWorks® QS, GRAFIK Systems™, Quantum®) | HW-RPM-4A-120, LP-RPM-4A-120 |
| GP dimming panels | Various |
| Ariadni CL 250W dimmer | AYCL-253P- |
| Diva CL 250W dimmer | DVCL-253P-DCSCCL-253P- |
| Nova T CL 250W dimmer | NTCL-250- |
| Power supply LH1 | Part No. |
| PowPak Dimming Modules | RMJ-ECO32-DV-B |
| PowPak Dimming Modules | FCJ/FCJS-ECO |
| Energi Savr Nodes | QSN-1ECO-S |
| GRAFIK Eye QS control unit | QSN-2ECO-S |
| Homeworks QS control unit | QSGRJ- _E (wireless) |
| GRAFIK Eye QS control unit | QSGR- _E |
| Homeworks QS control unit | QSGR- _E |
| Quantum Hub | QP2-__ 2C |
| Quantum Hub | QP2-__ 4C |
| Quantum Hub | QP2-__ 6C |
| Quantum Hub | QP2-__ 8C |
| Homeworks QS power module | LQSE-2ECO-D |
| myRoom Plus power module | |

eldoLED DRIVER COMPATIBILITY

| Power supply EA2 | Family/Model # |
|---------------------------|--------------------------------|
| Busch-Jaeger | 2112U-101 |
| Jung | 240-10 |
| Leviton Lighting Controls | IP710-DLX |
| Lightolier Controls | ZP600FAM120 |
| Lutron Electronics | Nova T® - NTFTV |
| Lutron Electronics | Diva® - DVTV |
| Lutron Electronics | Nova® - NFTV |
| Merten | 5729 |
| Pass & Seymour | CD4FB-W |
| The Watt Stopper | DCLV1 |
| Sensor Switch | nIO EZ |
| Synergy | ISD BC |
| Lutron Electronics | GrafixEye® GRX-TVI w GRX3503 |
| Lutron Electronics | Energy Savr Node™ - QSN-4T16-S |
| Lutron Electronics | TVM2 Module |
| Crestron® | GLX-DIMFLV8 |
| Crestron® | GLXP-DIMFLV8 |
| Crestron® | GLPAC-DIMFLV4-* |
| Crestron® | GLPAC-DIMFLV8-* |
| Crestron® | GLPP-DIMFLVEX-PM |
| Crestron® | GLPP-1DIMFLV2EX-PM |
| Crestron® | GLPP-1DIMFLV3EX-PM |
| Crestron® | DIN-A08 |
| Crestron® | DIN-4DIMFLV4 |
| Crestron® | CLS-EXP-DIMFLV |
| Crestron® | CLCI-1DIMFLV2EX |
| ABB | SD/S 2.16.1 |

