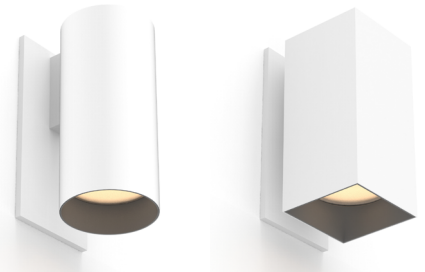


# WALL SCONCE CYLINDER & SQUILINDER®

PROJECT NAME:	TYPE:
---------------	-------



Exceptional adaptability and performance in classic and modern silhouettes that mount seamlessly and invisibly to the wall.

## ORDERING INFORMATION



JA8-2019 INDICATED BY SHADING

SHAPE	TYPE	RATING	BODY FINISH	BAFFLE FINISH	LUMEN PACKAGE	OCT	LOWER OPTIC	UPPER OPTIC	DRIVER	LOWER LENS	UPPER LENS
		<b>2</b>									
CW2 Cylinder SW2 Squilinder	DF Downlight	2 Wet (IP65)	WH White	WH White	<b>DOWNLIGHT (DF) STATIC WHITE</b>	22 2200K* *Only available for 90+ CRI)	15 15° 25 25° 40 40° 60 60°	00 DF Only* *(Required with DF fixture)	<b>DOWNLIGHT (DF) INTEGRAL</b>	3 Clear Glass Lens* *(Not available for Warm Dim)	9 Diffusion Lens* *(Required with UD fixture)
	UD Up / Downlight		AG Satin Silver AU Cashmere Gold BB Burnt Bronze AB Architectural Bronze BK Black CF Custom Finish* *(Consult Factory)	AG Satin Silver AU Cashmere Gold BB Burnt Bronze AB Architectural Bronze BK Black CF Custom Finish* *(Consult Factory)	80C12A 80+ CRI, Delivered Lumens - 789 80C19A 80+ CRI, Delivered Lumens - 1221 80C23A 80+ CRI, Delivered Lumens - 1495 90C10A 90+ CRI, Delivered Lumens - 675 90C15A 90+ CRI, Delivered Lumens - 1047 90C20A 90+ CRI, Delivered Lumens - 1278 97C09A 97+ CRI, Delivered Lumens - 607 97C14A 97+ CRI, Delivered Lumens - 933 97C18A 97+ CRI, Delivered Lumens - 1146	27 2700K 30 3000K 35 3500K 40 4000K	RP1 120V, 1% ELV / TRIAC or 120-277V, 1% 0-10V Analog Logarithmic <b>REMOTE (120V)</b> TR2 Philips, 2% Leading/Trailing/Triac* *(Only available with 80C19A, 90C15A and 97C14A)	4 Soft Focus Lens 5 Frosted Glass Lens 6 Frosted Soft Focus Lens 7 Frosted Linear Spread Lens* *(Not available for Squilinder)	<b>LEAVE BLANK FOR DOWNLIGHT (DF)</b>		
					<b>DOWNLIGHT (DF) WARM DIM</b>		25 25° 40 40° 60 60°	00 DF Only* *(Required with DF fixture)	<b>UP / DOWNLIGHT (UD) INTEGRAL</b>		
					90W11A 90+ CRI, Delivered Lumens - 931 Incandescent Profile 90W12A 90+ CRI, Delivered Lumens - 1047 Standard Profile *SEE PAGE 3 FOR DETAILED WARM DIM PROFILE COMPARISON.	WL 2700K - 1800K WD 3000K - 1800K			CA3 120-277V, 2% 0-10V Analog Logarithmic CE3 120V, 2% Electronic ELV Forward / Reverse Phase		
					<b>UP / DOWNLIGHT (UD) STATIC WHITE</b>		15 15° 25 25° 40 40° 60 60°	15 15° 40 40° 60 60°	<b>DOWNLIGHT (DF) &amp; UP / DOWNLIGHT (UD) REMOTE (120V)</b>		
					80C12A 80+ CRI, 1200 Source Lumens (Delivered - 1,708) 90C10A 90+ CRI, 1000 Source Lumens (Delivered - 1,465) 97C09A 97+ CRI, 900 Source Lumens (Delivered - 1,314)  *ALL DELIVERED LUMEN OUTPUTS AND T24 COMPLIANCE REFLECT 3000K PAIRED WITH 60° OPTIC AND SOFT FOCUS LENS. REFERENCE PAGE 3 FOR ADDITIONAL T24 COMPLIANT CONFIGURATIONS.	27 2700K 30 3000K 35 3500K 40 4000K			L23 Lutron, Hi-Lume 1% 2-Wire <b>REMOTE (120-277V)</b> LH1 Lutron, Hi-Lume 1% Ecosystem AN4 Philips Titanium 1% 0-10V, LOG EA2 eldoLED, SOL0drive 0.1% 0-10V, LOG ED1 eldoLED, SOL0drive 0.1% DALI, LOG		



## SPECIFICATION NOTES

- Wall Sconce (ex.) CW2-DF2-WHBK-90C20A2-30-RP1-40
- Wall Sconce (ex.) SW2-UD2-WHBK-80C12A2-33-RMT-49
- Up / Downlight (UD) fixtures require two remote drivers
- Remote driver(s) ships as (ex.) PS-RMT-80C12A-1L23

# WALL SCONCE

## ACCESSORIES

### CYLINDER ALTERNATE BAFFLE AND EFFECTS DEVICE

Includes baffle with sealed lens.

Must specify baffle finish.

**RBA-CY2-\*\*-CGL** Clear Glass Lens\*

\*(Not available for Warm Dim)

**RBA-CY2-\*\*-SFL** Soft Focus Lens

**RBA-CY2-\*\*-FGL** Frosted Glass Lens

**RBA-CY2-\*\*-FSFL** Frosted Soft Focus Lens

**RBA-CY2-\*\*-FSL** Frosted Linear Spread Lens

\*\* Baffle finish: Specify **WH** for white, **BK** for black, **AG** for satin silver, **AB** for architectural bronze, **AU** for cashmere gold, or **BB** for burnt bronze.

### LOWER REPLACEMENT OPTIC

**RO-70-15-1** 15° optic

**RO-70-25-1** 25° optic

**RO-70-40-1** 40° optic

**RO-70-60-1** 60° optic

### REPLACEMENT SUCTION TOOL

Included with each order (1 per 10 fixtures).

**CY-SQ-TOOL-SUCTION** Baffle assembly removal tool

### EMERGENCY LIGHTING - REMOTE MOUNT ONLY

During disruption of main power, emergency battery inverter provides temporary 120V or 277V to fixture.

**EMB-S-20/25-120/277-LEDX** 20/25 watt max capacity, 120 or 277 VAC 60Hz, Non-dimmable

**EMB-S-100-120-LEDX** 100 watt max capacity, 120 VAC 60Hz, Dimmable

**EMB-S-100-277-LEDX** 100 watt max capacity, 277 VAC 60Hz, Dimmable

**EMB-S-250-120/277-LEDX** 250 watt max capacity, 120 or 277 VAC 60Hz, Dimmable

### SQUILINDER ALTERNATE BAFFLE AND EFFECTS DEVICE

Includes baffle with sealed lens.

Must specify baffle finish.

**RBA-SQ2-\*\*-CGL-2** Clear Glass Lens\*

\*(Not available for Warm Dim)

**RBA-SQ2-\*\*-SFL-2** Soft Focus Lens

**RBA-SQ2-\*\*-FGL-2** Frosted Glass Lens

**RBA-SQ2-\*\*-FSFL-2** Frosted Soft Focus Lens

\*\* Baffle finish: Specify **WH** for white, **BK** for black, **AG** for satin silver, **AB** for architectural bronze, **AU** for cashmere gold, or **BB** for burnt bronze.

### UPPER REPLACEMENT OPTIC

**RO-50-15-1** 15° optic

**RO-50-40-1** 40° optic

**RO-50-60-1** 60° optic

## STATIC WHITE PERFORMANCE - 3000K - SOFT FOCUS LENS

LUMEN PACKAGE	WATTAGE	15° OPTIC		25° OPTIC		40° OPTIC		60° OPTIC	
		DELIVERED	LPW	DELIVERED	LPW	DELIVERED	LPW	DELIVERED	LPW
<b>DOWNLIGHT</b>									
80C12A	10	813	81	764	76	706	70	789	78
80C19A	17	1257	74	1182	69	1092	64	1221	72
80C23A	21	1539	73	1448	68	1337	63	1495	71
90C10A	10	695	69	654	65	604	60	675	68
90C15A	17	1078	63	1014	59	937	55	1047	61
90C20A	21	1313	62	1235	58	1140	54	1275	60
97C09A	10	625	62	588	58	543	54	607	60
97C14A	17	961	57	904	53	835	49	933	55
97C18A	21	1180	56	1110	52	1025	48	1146	54
90W11A	16	-	-	901	56	766	47	931	58
90W12A	16	-	-	1013	63	861	53	1047	64
<b>UPLIGHT</b>									
80C12A*	10	922	92	-	-	881	88	919	92
90C10A*	10	793	79	-	-	757	76	790	79
97C09A*	10	709	71	-	-	677	68	707	71

OUTPUT MULTIPLIER	
CCT	CCT SCALE
2200K (Consult factory for JA8 details)	0.800
2700K	0.957
3000K	1.000
3500K	1.019
4000K	1.030

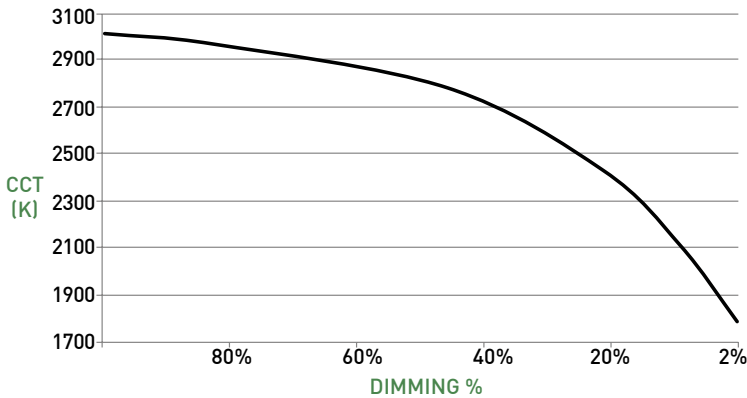
LIGHT LOSS FACTOR	
No Lens	1.05
CGL	1.00
SFL	1.00
FGL	0.90
FSFL	0.87
FLSL	0.83

**\*NOTE:** To determine total performance for up / downlight (UD) fixture, add delivered lumens of Up and Down configurations and divide by total system wattage (20W = 10W Up + 10W Down).

## WARM DIM PERFORMANCE - SOFT FOCUS LENS - 40° OPTIC

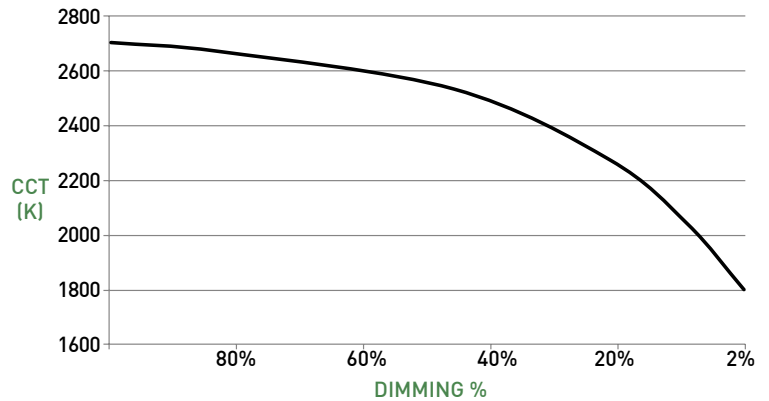
### STANDARD WARM DIM PROFILE

90W12A 3000K - 1800K	Full on 100%	Dimmed to 80%	Dimmed to 70%	Dimmed to 50%	Dimmed to 20%	Dimmed to 10%	Dimmed to 2%
CCT (K)	3000	2950	2920	2775	2375	2000	1800
Light Output (Lm)	1047	837	732	523	209	104	20
Power (W)	14	11	10	7	3	1.5	0.3
Efficacy (LPW)	64	64	64	64	64	64	64



### WARM DIM TO MIRROR INCANDESCENT DIMMING PROFILE

90W11A 2700K - 1800K	Full on 100%	Dimmed to 80%	Dimmed to 70%	Dimmed to 50%	Dimmed to 20%	Dimmed to 10%	Dimmed to 2%
CCT (K)	2700	2650	2620	2520	2180	1950	1800
Light Output (Lm)	931	744	651	465	186	93	18
Power (W)	16	13	11	8	3	1.7	0.3
Efficacy (LPW)	58	58	58	58	58	58	58

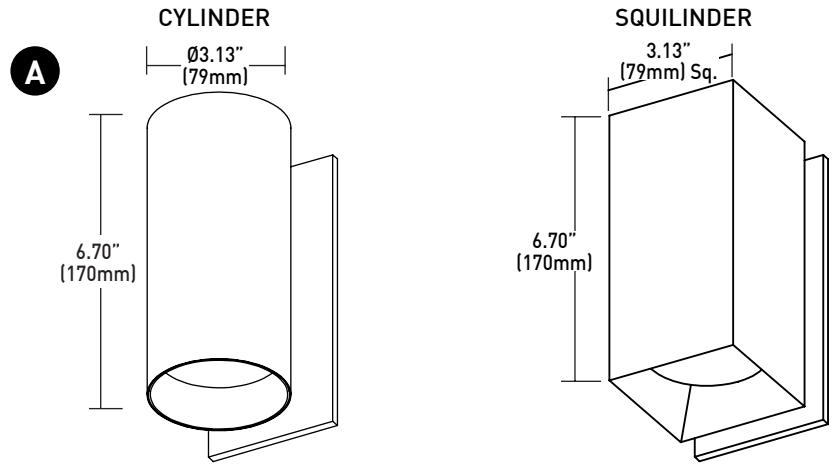


# WALL SCONCE

## CYLINDER

- A LUMINAIRE**  
Machined aluminum body with integrated heat sink and LED; power supply may be integral or remote mount.
- B LOWER OPTIC**  
Proprietary optics available in 15°, 25°, 40° & 60° beams.
- C LOWER EFFECTS DEVICES**  
Cylinder baffle lens assembly can accept 1 lens sealed in place. Soft focus lens included as standard for lens. Suction tool provided for removal of baffle lens assembly.
- D UPPER EFFECTS DEVICES**  
Cylinder assembly can accept 1 lens sealed in place. Diffusion lens included as standard for lens.
- E UPPER OPTIC**  
Proprietary field-changeable optics available in 15°, 40° & 60° beams.

## DIMENSIONS / DRAWINGS

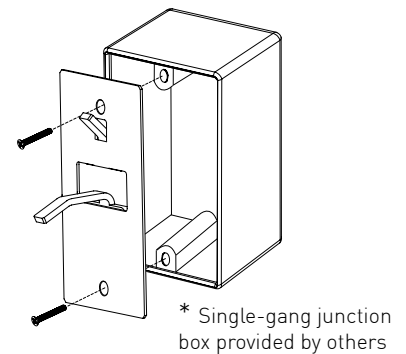
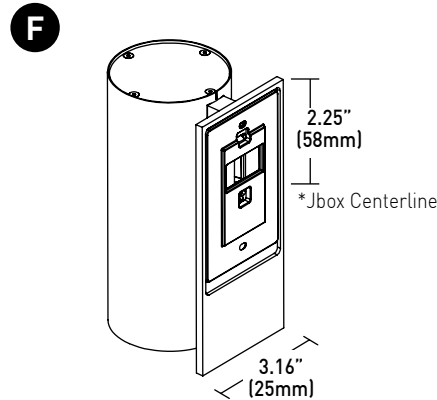
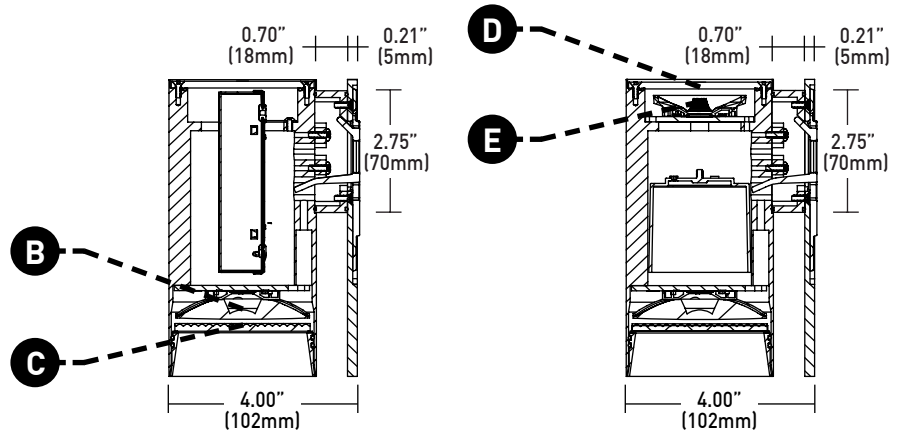


## MOUNTING

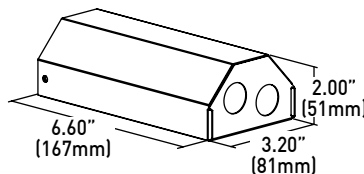
- F MOUNTING PLATE**  
Mounting plate (concealed) with factory supplied hidden screws after wall is fully finished. Single-gang junction box required for mounting. Fixture to mount flush with minimalist transition to wall.

## REMOTE POWER SUPPLY

- G PS-RMT**  
Remote power supply provides additional driver options. Consult installation guide for maximum allowable secondary run lengths between PS-RMT and fixture. Must be installed in an accessible location.



- G PS-RMT weight - 1.40 lbs**



# WALL SCONCE

## TECHNICAL

### CONSTRUCTION

**Cylinder / Squilinder:** Machined aluminum body; extruded aluminum internal heat-sink; painted finishes are granulated powder coat.

**Remote Power Supply:** 22 Gauge galvanized steel.

### STATIC WHITE LED

2-step MacAdam ellipse LED module available in 80+, 90+ and 97+ CRI configurations in color temperatures of 2200K, 2700K, 3000K, 3500K and 4000K. Average rated lamp life: 50,000 hours. LED and driver assemblies are field-replaceable.

### WARM DIM LED

3-step MacAdam ellipse warm dim LED module available in 90+ CRI configuration. 3000K or 2700K at full brightness, warming to 1800K at full dim. Average rated lamp life of 50,000 hours. LED and driver assemblies are field-replaceable.

### POWER SUPPLY PERFORMANCE AND DIMMING INFORMATION

Power Supply	CA3	CE3	RP1	TR2	L23	LH1	AN4	EA2	ED1
Minimum °C	-20 °C	-20 °C	-10 °C	-20 °C	0 °C	0 °C	-20 °C	-20 °C	-20 °C
Maximum °C	40 °C	40 °C	40 °C	40 °C	40 °C	40 °C	40 °C	40 °C	40 °C
Dimming %	2.0%	2.0%	1.0%	2.0%	1.0%	1.0%	1.0%	0.1%	0.1%

Note: For TR2, L23, LH1, AN4 and EA2 drivers consult chart on page 6 to confirm appropriate dimming curve for compatibility with selected control.

### MAXIMUM ALLOWABLE REMOTE DRIVER WIRING DISTANCES

DRIVER	WIRE AWG				
	12	14	16	18	20
TR2, AN4	285'	180'	113'	71'	45'
L23, LH1	60'	40'	25'	15'	-
EA2, ED1	-	-	118'	72'	46'

### MOUNTING

Cylinder is supplied with a mounting adaptor plate providing a minimalist transition accommodating wall thicknesses of 0.44" (7/16", 12mm) to 0.75" (3/4", 19mm).

### OPERATING TEMPERATURE

Down Light: 104°F (40°C).

### LISTING

cTUVus listed to UL1598 standard for Dry / Damp and Wet (IP65) locations. Title 24 JA8-2019 Listed.

### FIXTURE

Fixture - 2 lbs

Remote Driver - 1.4 lbs

### LIMITED WARRANTY

Manufacturer's 1-year warranty guarantees product(s) listed to be free from defects in material and workmanship under normal use and service. 5-year warranty on LED and power supply to operate with 70% of the original flux and remain within a range of 3 duv. 10-year Lutron Advantage limited warranty available on Lutron equipped systems. Warranty period begins from the date of shipment by Seller and conditional upon the use of manufacturer-supplied power supply. [Consult website for full warranty terms and conditions.](#)

### CHANGE LOG

- 1.01/12/2021: ADDED 2200K, 2700K-1800K WARM DIM OFFERINGS.
- 2.10/17/2022: REMOVED 90W13A 3200K-1800K WARM DIM AND ADDED 90W12A 3000K-1800K WARM DIM.

# WALL SCNCE

## DIMMING COMPATIBILITY

### PHILIPS DRIVER COMPATIBILITY

Power supply TR2	Family/Model #
Lutron Electronics	DV-600P
Lutron Electronics	DVELV-303P
Lutron Electronics	NTELV-600
Lutron Electronics	MAELV-600
Lutron Electronics	SELV-300P
Lutron Electronics	DVLV-600P
Lutron Electronics	NFTU-5A
Lutron Electronics	CTCL-153P
Lutron Electronics	GL-600H
Lutron Electronics	S-600P
Lutron Electronics	PHPM
Power supply AN4	Family/Model #
Lutron Electronics	DVTV plus PP-DV
Lutron Electronics	DVSCTV plus PP-DV
Lutron Electronics	DVSTV
Lutron Electronics	DVSCSTV
Lutron Electronics	QSGRJ-XP plus GRX-TVI
Lutron Electronics	QSGRJ-XE plus GRX-TVI
Lutron Electronics	QSGR-XE plus GRX-TVI
Lutron Electronics	NFTV plus PP-DV
Lutron Electronics	NTSTV
Lutron Electronics	RMJ-5T
Lutron Electronics	RMJS-8T
Lutron Electronics	FCJS-010
Leviton	IllumaTch IP7 series
Philips	Sunrise - SR1200ZTUNV

### LUTRON DRIVER COMPATIBILITY

Power supply L23	Part No.
Maestro WirelessR 600 W dimmer	MRF2-6ND-120-
Maestro WirelessR 1000 W dimmer	MRF2-10ND-120-
Caséta® Wireless Pro 1000 W dimmer	PD-10NXD-
GRAFIK T™ CL® dimmer	GT-250M-GTJ-250M-
HomeWorks® QS adaptive dimmer	HQRD-6NA-
HomeWorks® QS 600 W dimmer	HQRD-6ND-
HomeWorks® QS 1000 W dimmer	HQRD-10ND-
RadioRA® 2 adaptive dimmer	RRD-6NA-
RadioRA® 2 1000 W dimmer	RRD-10ND
myRoom™ DIN power module	MQSE-4A1-D
HomeWorks® QS DIN power module	LQSE-4A1-D
HomeWorks® QS wallbox power module	HQRJ-WPM-6D-120
HomeWorks® wallbox power module	HWI-WPM-6D-120
GRAFIK Eye® QS control unit	QSGR-, QSGRJ-
GRAFIK Eye® 3000 control unit	GRX-3100-GRX-3500-
RPM-4U module (LCP, HomeWorks® QS, GRAFIK Systems™, Quantum®)	HW-RPM-4U-120 LP-RPM-4U-120
RPM-4A module (LCP, HomeWorks® QS, GRAFIK Systems™, Quantum®)	HW-RPM-4A-120, LP-RPM-4A-120
GP dimming panels	Various
Ariadni CL 250W dimmer	AYCL-253P-
Diva CL 250W dimmer	DVCL-253P-DCSCCL-253P-
Nova T CL 250W dimmer	NTCL-250-
Power supply LH1	Part No.
PowPak Dimming Modules	RMJ-ECO32-DV-B
PowPak Dimming Modules	FCJ/FCJS-ECO
Energi Savr Nodes	QSN-1ECO-S
GRAFIK Eye QS control unit	QSN-2ECO-S
Homeworks QS control unit	QSGRJ- _E (wireless) QSGR- _E
Quantum Hub	QP2-__ 2C
Quantum Hub	QP2-__ 4C
Quantum Hub	QP2-__ 6C
Quantum Hub	QP2-__ 8C
Homeworks QS power module	LQSE-2ECO-D
myRoom Plus power module	

### eldoLED DRIVER COMPATIBILITY

Power supply EA2	Family/Model #
Busch-Jaeger	2112U-101
Jung	240-10
Leviton Lighting Controls	IP710-DLX
Lightolier Controls	ZP600FAM120
Lutron Electronics	Nova T® - NTFTV
Lutron Electronics	Dival® - DDTV
Lutron Electronics	Nova® - NFTV
Merten	5729
Pass & Seymour	CD4FB-W
The Watt Stopper	DCLV1
Sensor Switch	nIO EZ
Synergy	ISD BC
Lutron Electronics	GrafixEye® GRX-TVI w GRX3503
Lutron Electronics	Energy Savr Node™ - QSN-4T16-S
Lutron Electronics	TVM2 Module
Crestron®	GLX-DIMFLV8
Crestron®	GLXP-DIMFLV8
Crestron®	GLPAC-DIMFLV4-*
Crestron®	GLPAC-DIMFLV8-*
Crestron®	GLPP-DIMFLVEX-PM
Crestron®	GLPP-1DIMFLV2EX-PM
Crestron®	GLPP-1DIMFLV3EX-PM
Crestron®	DIN-A08
Crestron®	DIN-4DIMFLV4
Crestron®	CLS-EXP-DIMFLV
Crestron®	CLCI-1DIMFLV2EX
ABB	SD/S 2.16.1

