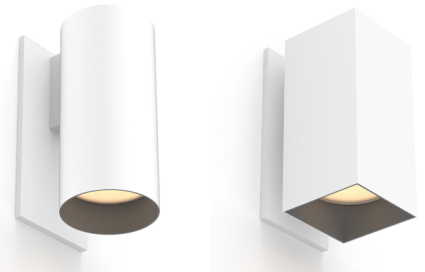


WALL SCONCE CYLINDER & SQUILINDER®

| | |
|---------------|-------|
| PROJECT NAME: | TYPE: |
|---------------|-------|



Exceptional adaptability and performance in classic and modern silhouettes that mount seamlessly and invisibly to the wall.

ORDERING INFORMATION



JA8-2022 INDICATED BY SHADING

| SHAPE | TYPE | RATING | BODY FINISH | BAFFLE FINISH | CRI / WATTAGE PACKAGE | CCT | LOWER OPTIC (UGR) | UPPER OPTIC (UGR) | DRIVER | LOWER MEDIA | UPPER MEDIA |
|--------------------------------|-----------------------------------|--------------|--|--|---|---|---|---|--|---|---|
| | | 2 | | | | | | | | | |
| CW2 Cylinder SW2 Squilinder | DF Downlight UD Up / Downlight | 2 Wet (IP65) | WH White AG Satin Silver AU Cashmere Gold BB Burnt Bronze AB Architectural Bronze BK Black CF Custom Finish* <small>*(Consult Factory)</small> | WH White AG Satin Silver AU Cashmere Gold BB Burnt Bronze AB Architectural Bronze BK Black CF Custom Finish* <small>*(Consult Factory)</small> | DOWNLIGHT (DF) STATIC WHITE 80S11A 80+ CRI, 11W, Lm. Delivered - 1232 80S17A 80+ CRI, 17W, Lm. Delivered - 1893 80S23A 80+ CRI, 23W, Lm. Delivered - 2470 90S11A 90+ CRI, 11W, Lm. Delivered - 1028 90S17A 90+ CRI, 17W, Lm. Delivered - 1626 90S23A 90+ CRI, 23W, Lm. Delivered - 2122 97S11A 97+ CRI, 11W, Lm. Delivered - 929 97S17A 97+ CRI, 17W, Lm. Delivered - 1428 97S23A 97+ CRI, 23W, Lm. Delivered - 1863 DOWNLIGHT (DF) WARM DIM 90W18A 90+ CRI, 18W Incandescent Profile 2700K - 1800K Lm. Delivered - 1099 Halogen Profile 3000K - 1800K Lm. Delivered - 1113 *SEE PAGE 3 FOR DETAILED WARM DIM PROFILE COMPARISON. UP / DOWNLIGHT (UD) STATIC WHITE 80S11A 80+ CRI, 11W, Lm. Delivered - 1271 90S11A 90+ CRI, 11W, Lm. Delivered - 1092 97S11A 97+ CRI, 11W, Lm. Delivered - 959 *ALL DELIVERED LUMEN OUTPUTS AND T24 COMPLIANCE REFLECT 3000K PAIRED WITH 20° OPTIC AND SOFT FOCUS LENS. | 24 2400K* <small>*(90+CRI only)</small> 27 2700K 30 3000K 35 3500K 40 4000K WL 2700K - 1800K WD 3000K - 1800K | 15 15° (<13) 20 20° (<10) 25 25° (<10) 40 40° (<10) 60 60° (<16) 20 20° (<10) 25 25° (<10) 40 40° (<10) 60 60° (<13) SEE PAGE 3 FOR UGR RATINGS | 00 DF Only* <small>*(Required with DF fixture)</small> 00 DF Only* <small>*(Required with DF fixture)</small> 15 15° (<16) 20 20° (<13) 25 25° (<13) 40 40° (<13) 60 60° (<13) SEE PAGE 3 FOR UGR RATINGS | DOWNLIGHT (DF) INTEGRAL PH2 120V, 1% Forward/Reverse SG2 120-277V, 1% 0-10V, LOG SN2 120-277V, 1% 0-10V, LIN REMOTE (120V) TR2 Philips, 2% Forward/Reverse UP / DOWNLIGHT (UD) INTEGRAL CA3 120-277V, 2% 0-10V Analog Logarithmic CE3 120V, 2% Forward/Reverse REMOTE (120-277V) LH1 Lutron, Hi-Lume 1% Ecosystem AN4 Philips Xitanium 1% 0-10V, LOG EA2 eldoLED, SOLdrive 0.1% 0-10V, LOG ED1 eldoLED, SOLdrive 0.1% DALI, LOG AS1 Athena Control eldoLED, SOLdrive 0.1% 120-277V* ASR Casambi Control eldoLED, SOLdrive 0.1% 120-277V* CS1 / CSR *Includes Node, Extended lead time, consult factory. ASR/CSR includes shunt) | 3 Clear Glass Lens* <small>*(Not available for Warm Dim)</small> 4 Soft Focus Lens 5 Frosted Glass Lens 6 Frosted Soft Focus Lens 7 Frosted Linear Spread Lens* <small>*(Not available for Squilinder)</small> | 9 Diffusion Lens* <small>*(Required with UD fixture)</small> LEAVE BLANK FOR DOWNLIGHT (DF) |



PART NUMBER NOTES

- Wall Sconce (ex.) CW2-DF2-WHBK-90S23A2-30-PH2-40
- Up / Downlight (UD) fixtures require two remote drivers
- Remote driver(s) ships as (ex.) PS-RMT-80S11A-1TR2

WALL SCONCE

ACCESSORIES

CYLINDER ALTERNATE BAFFLE AND MEDIA

Includes baffle with sealed lens.
Must specify baffle finish.

RBA-CY2--CGL** Clear Glass Lens*

*(Not available for Warm Dim)

RBA-CY2--SFL** Soft Focus Lens

RBA-CY2--FGL** Frosted Glass Lens

RBA-CY2--FSFL** Frosted Soft Focus Lens

RBA-CY2--FSL** Frosted Linear Spread Lens

** Baffle finish: Specify **WH** for white, **BK** for black, **AG** for satin silver, **AB** for architectural bronze, **AU** for cashmere gold, or **BB** for burnt bronze.

SQUILINDER ALTERNATE BAFFLE AND MEDIA

Includes baffle with sealed lens.
Must specify baffle finish.

RBA-SQ2--CGL-2** Clear Glass Lens*

*(Not available for Warm Dim)

RBA-SQ2--SFL-2** Soft Focus Lens

RBA-SQ2--FGL-2** Frosted Glass Lens

RBA-SQ2--FSFL-2** Frosted Soft Focus Lens

** Baffle finish: Specify **WH** for white, **BK** for black, **AG** for satin silver, **AB** for architectural bronze, **AU** for cashmere gold, or **BB** for burnt bronze.

LOWER REPLACEMENT OPTIC

| Static White | | Warm Dim | |
|--|-----------|--|-----------|
| <input type="checkbox"/> RO-70-15-S | 15° optic | <input type="checkbox"/> RO-70-20-W | 20° optic |
| <input type="checkbox"/> RO-70-20-S | 20° optic | <input type="checkbox"/> RO-70-25-W | 25° optic |
| <input type="checkbox"/> RO-70-25-S | 25° optic | <input type="checkbox"/> RO-70-40-W | 40° optic |
| <input type="checkbox"/> RO-70-40-S | 40° optic | <input type="checkbox"/> RO-70-60-W | 60° optic |
| <input type="checkbox"/> RO-70-60-S | 60° optic | | |

UPPER REPLACEMENT OPTIC

| Static White | |
|--|-----------|
| <input type="checkbox"/> RO-50-15-S | 15° optic |
| <input type="checkbox"/> RO-50-20-S | 20° optic |
| <input type="checkbox"/> RO-50-25-S | 25° optic |
| <input type="checkbox"/> RO-50-40-S | 40° optic |
| <input type="checkbox"/> RO-50-60-S | 60° optic |

REPLACEMENT SUCTION TOOL

Included with each order (1 per 10 fixtures).

CY-SQ-TOOL-SUCTION Baffle assembly removal tool

EMERGENCY LIGHTING - REMOTE MOUNT ONLY

During disruption of main power, emergency battery inverter provides temporary 120V or 277V to fixture.

| | |
|--|--|
| <input type="checkbox"/> EMB-S-25-120/277-LEDX | 25 watt max capacity, 120 or 277 VAC 60Hz, Non-dimmable |
| <input type="checkbox"/> EMB-S-100-120-LEDX | 100 watt max capacity, 120 VAC 60Hz, 0-10V Dimmable |
| <input type="checkbox"/> EMB-S-100-277-LEDX | 100 watt max capacity, 277 VAC 60Hz, 0-10V Dimmable |
| <input type="checkbox"/> EMB-S-250-120/277-LEDX | 250 watt max capacity, 120 or 277 VAC 60Hz, 0-10V Dimmable |

WALL SCNCE

STATIC WHITE PERFORMANCE - 3000K - SOFT FOCUS LENS

| LUMEN PACKAGE | WATTAGE | 15° OPTIC | | 20° OPTIC | | 25° OPTIC | | 40° OPTIC | | 60° OPTIC | |
|---------------------|---------|-----------|-----|-----------|-----|-----------|-----|-----------|-----|-----------|-----|
| | | DELIVERED | LPW | DELIVERED | LPW | DELIVERED | LPW | DELIVERED | LPW | DELIVERED | LPW |
| DOWNLIGHT | | | | | | | | | | | |
| 80S11A | 11 | 1170 | 106 | 1232 | 112 | 1242 | 113 | 1194 | 109 | 113 | 103 |
| 80S17A | 17 | 1790 | 105 | 1893 | 111 | 1895 | 111 | 1814 | 107 | 1722 | 101 |
| 80S23A | 23 | 2351 | 102 | 2470 | 107 | 2463 | 107 | 2366 | 103 | 2230 | 97 |
| 90S11A | 11 | 1005 | 91 | 1058 | 96 | 1067 | 97 | 1026 | 93 | 973 | 88 |
| 90S17A | 17 | 1538 | 90 | 1626 | 96 | 1628 | 96 | 1558 | 92 | 1479 | 87 |
| 90S23A | 23 | 2020 | 88 | 2122 | 92 | 2116 | 92 | 2033 | 88 | 1916 | 83 |
| 97S11A | 11 | 882 | 80 | 929 | 84 | 937 | 85 | 901 | 82 | 854 | 78 |
| 97S17A | 17 | 1350 | 79 | 1428 | 84 | 1429 | 84 | 1368 | 80 | 1299 | 76 |
| 97S23A | 23 | 1774 | 77 | 1863 | 81 | 1858 | 81 | 1785 | 78 | 1682 | 73 |
| 90W18A (WL 27K-18K) | 18 | - | - | 1099 | 61 | 1104 | 61 | 1074 | 60 | 1021 | 57 |
| 90W18A (WL 30K-18K) | 18 | - | - | 1113 | 62 | 1107 | 62 | 1077 | 60 | 1028 | 57 |
| UPLIGHT | | | | | | | | | | | |
| 80S11A* | 11 | 1187 | 108 | 1271 | 116 | 1262 | 115 | 1193 | 108 | 1296 | 118 |
| 90S11A* | 11 | 1020 | 93 | 1092 | 99 | 1084 | 99 | 1025 | 93 | 113 | 101 |
| 97S11A* | 11 | 896 | 81 | 959 | 87 | 952 | 87 | 900 | 82 | 977 | 89 |

***NOTE:** To determine total performance for up / downlight (UD) fixture, add Lm. Delivered of Up and Down configurations and divide by total system wattage (22W = 11W Up + 11W Down).

UNIFIED GLARE RATING DOWNLIGHT

| 15° OPTIC SOFT FOCUS LENS | 20° OPTIC SOFT FOCUS LENS | 25° OPTIC SOFT FOCUS LENS | 40° OPTIC SOFT FOCUS LENS | 60° OPTIC SOFT FOCUS LENS |
|------------------------------|------------------------------|------------------------------|------------------------------|------------------------------|
| <13 | <10 | <10 | <10 | <16 |

UNIFIED GLARE RATING UPLIGHT

| 15° OPTIC SOFT FOCUS LENS | 20° OPTIC SOFT FOCUS LENS | 25° OPTIC SOFT FOCUS LENS | 40° OPTIC SOFT FOCUS LENS | 60° OPTIC SOFT FOCUS LENS |
|------------------------------|------------------------------|------------------------------|------------------------------|------------------------------|
| <16 | <13 | <13 | <13 | <13 |

OUTPUT MULTIPLIER

| CCT | CCT SCALE |
|-------|-----------|
| 2400K | 0.76 |
| 2700K | 0.97 |
| 3000K | 1.00 |
| 3500K | 1.03 |
| 4000K | 1.08 |

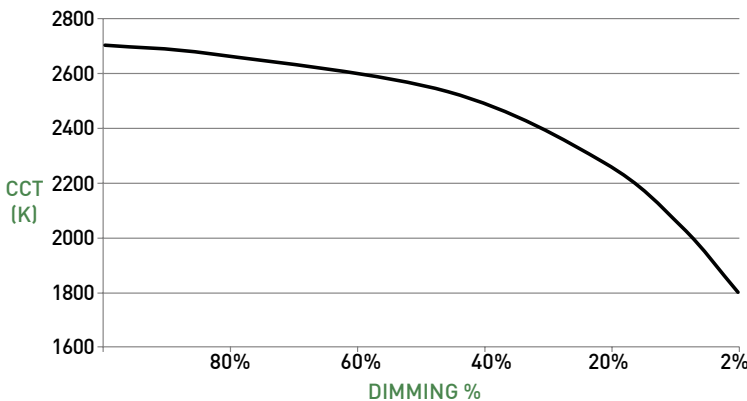
MEDIA LIGHT LOSS MULTIPLIER

| MEDIA | LIGHT LOSS FACTOR |
|---------|-------------------|
| No Lens | 1.05 |
| CGL | 1.00 |
| SFL | 1.00 |
| FGL | 0.89 |
| FSFL | 0.87 |
| FLSL | 0.82 |

WARM DIM PERFORMANCE - SOFT FOCUS LENS - 20° OPTIC

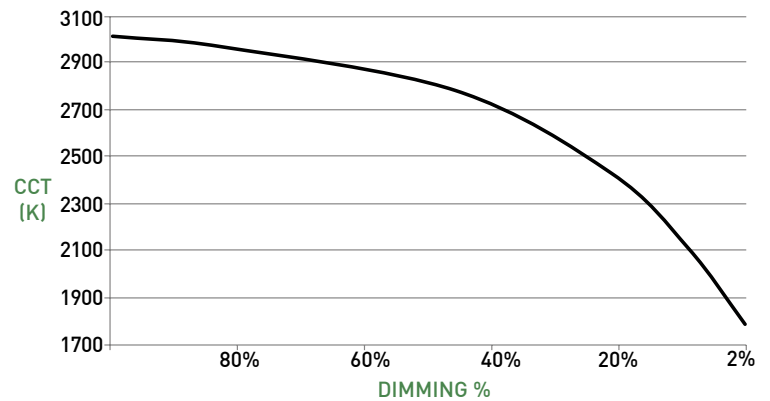
INCANDESCENT PROFILE

| 90W11A 2700K - 1800K | Full on 100% | Dimmed to 80% | Dimmed to 70% | Dimmed to 50% | Dimmed to 20% | Dimmed to 10% | Dimmed to 2% |
|-------------------------|-----------------|------------------|------------------|------------------|------------------|------------------|-----------------|
| CCT (K) | 2700 | 2650 | 2620 | 2520 | 2180 | 1950 | 1800 |
| Light Output (Lm) | 1099 | 879 | 769 | 549 | 219 | 109 | 22 |
| Power (W) | 18 | 14 | 13 | 9 | 4 | 2 | 0.3 |
| Efficacy (LPW) | 61 | 61 | 61 | 61 | 61 | 61 | 61 |



HALOGEN PROFILE

| 90W12A 3000K - 1800K | Full on 100% | Dimmed to 80% | Dimmed to 70% | Dimmed to 50% | Dimmed to 20% | Dimmed to 10% | Dimmed to 2% |
|-------------------------|-----------------|------------------|------------------|------------------|------------------|------------------|-----------------|
| CCT (K) | 3000 | 2950 | 2920 | 2775 | 2375 | 2000 | 1800 |
| Light Output (Lm) | 1113 | 890 | 779 | 556 | 222 | 111 | 22 |
| Power (W) | 18 | 14 | 13 | 9 | 4 | 2 | 0.3 |
| Efficacy (LPW) | 62 | 62 | 62 | 62 | 62 | 62 | 62 |

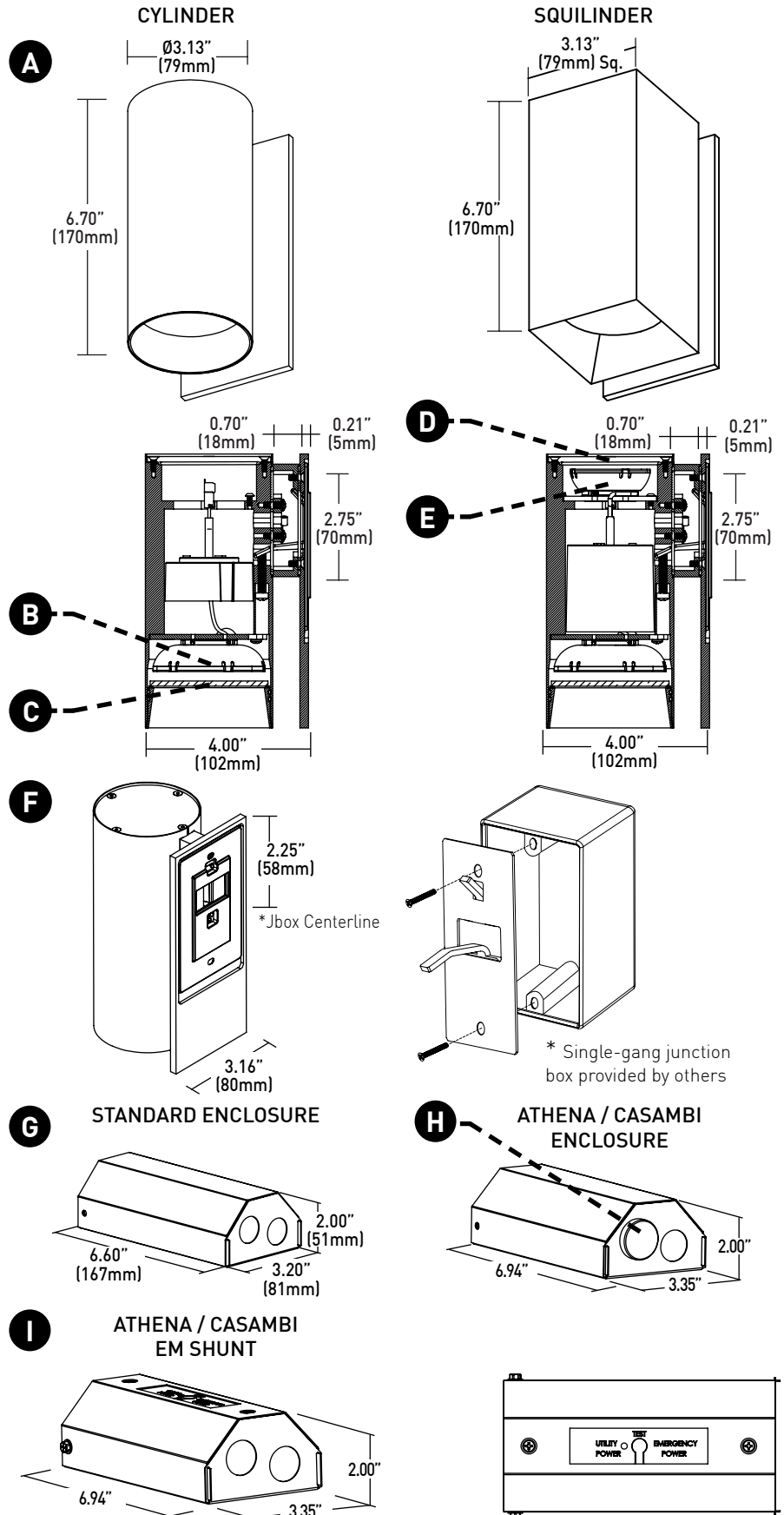


WALL SCONCE

CYLINDER

- A LUMINAIRE**
Machined aluminum body with integrated heat sink and LED; power supply may be integral or remote mount.
- B LOWER OPTIC**
Robust light engine with optimized optic pairing integrates Reflection, refraction, TIR offering 15°, 20°, 25°, 40° & 60° beams.
- C LOWER MEDIA**
Cylinder baffle lens assembly can accept 1 lens sealed in place. Soft focus lens included as standard for lens. Suction tool provided for removal of baffle lens assembly.
- D UPPER MEDIA**
Cylinder assembly can accept 1 lens sealed in place. Diffusion lens included as standard for lens.
- E UPPER OPTIC**
Robust light engine with optimized optic pairing integrates Reflection, refraction, TIR offering 15°, 20°, 25°, 40° & 60° beams.

DIMENSIONS / DRAWINGS



WALL SCONCE

TECHNICAL

CONSTRUCTION

Cylinder / Squilinder: Machined aluminum body; extruded aluminum internal heat-sink; painted finishes are granulated powder coat.

Remote Power Supply: 22 Gauge galvanized steel.

STATIC WHITE LED

2-step MacAdam ellipse LED module available in 80+, 90+ and 97+ CRI configurations in color temperatures of 2700K, 3000K, 3500K and 4000K. 3-step MacAdam ellipse LED module available in 90+ CRI configuration in color temperature of 2400K, Average rated lamp life: 50,000 hours. LED and driver assemblies are field-replaceable.

WARM DIM LED

3-step MacAdam ellipse warm dim LED module available in 90+ CRI configuration. 3000K or 2700K at full brightness, warming to 1800K at full dim. Average rated lamp life of 50,000 hours. LED and driver assemblies are field-replaceable.

POWER SUPPLY PERFORMANCE AND DIMMING INFORMATION

| Power Supply | PHASE | | | 0-10V | | | | | ECO | DALI | ATHENA | CASAMBI |
|--------------|--------|--------|--------|--------|--------|--------|--------|--------|-------|--------|--------|---------|
| | CE3 | PH2 | TR2 | CA3 | SG2 | SN2 | AN4 | EA2 | LH1 | ED1 | AS1 | CS1 |
| Minimum °C | -20 °C | -10 °C | -20 °C | -20 °C | -10 °C | -10 °C | -20 °C | -20 °C | 0 °C | -20 °C | 0 °C | -20 °C |
| Maximum °C | 40 °C | 40 °C | 40 °C | 40 °C | 40 °C | 40 °C | 40 °C | 40 °C | 40 °C | 40 °C | 40 °C | 40 °C |
| Dimming % | 2.0% | 1.0% | 2.0% | 2.0% | 1.0% | 1.0% | 1.0% | 0.1% | 1.0% | 0.1% | 0.1% | 0.1% |

Note: For TR2, LH1, AN4 and EA2 drivers consult chart on page 6 to confirm appropriate dimming curve for compatibility with selected control.

MAXIMUM ALLOWABLE REMOTE DRIVER WIRING DISTANCES

| DRIVER | WIRE AWG | | | | |
|--------------------|----------|------|------|-----|-----|
| | 12 | 14 | 16 | 18 | 20 |
| TR2, AN4 | 285' | 180' | 113' | 71' | 45' |
| LH1 | 60' | 40' | 25' | 15' | - |
| EA2, ED1, AS1, CS1 | - | - | 118' | 72' | 46' |

MOUNTING

Cylinder is supplied with a mounting adaptor plate providing a minimalist transition accommodating wall thicknesses of 0.44" (7/16", 12mm) to 0.75" (3/4", 19mm).

OPERATING TEMPERATURE

Down Light: 104°F (40°C).

LISTING

cTUVus listed to UL1598 standard for Dry / Damp and Wet (IP65) locations.
Title 24 JA8-2022 Listed.
NEMA 410 Compliant.

FIXTURE

Fixture - 2 lbs
Remote Driver - 1.4 lbs

LIMITED WARRANTY

Manufacturer's 1-year warranty guarantees product(s) listed to be free from defects in material and workmanship under normal use and service. 5-year warranty on LED and power supply to operate with 70% of the original flux and remain within a range of 3 duv. 10-year Lutron Advantage limited warranty available on Lutron equipped systems. Warranty period begins from the date of shipment by Seller. [Consult website for full warranty terms and conditions.](#)

CHANGE LOG

- 01/12/2021: ADDED 2200K, 2700K-1800K WARM DIM OFFERINGS.
- 10/17/2022: REMOVED 90W13A 3200K-1800K WARM DIM AND ADDED 90W12A 3000K-1800K WARM DIM.
- 08/01/2023: UPDATED ALL LED AND OPTIC OFFERINGS. REMOVED 2200K OFFERING
- 01/11/2024: ADDED ATHENA AND CASAMBI CONTROL OFFERING. ADDED 2400K OFFERING.
- 04/4/2024: REMOVED RP1 DRIVER, ADDED PH2, SG2, SN2 INTEGRAL DRIVER OFFERINGS.
- 07/15/2024: REMOVED L23 DRIVER OFFERING.

WALL SCENCE

DIMMING COMPATIBILITY

PHILIPS DRIVER COMPATIBILITY

| Power supply TR2 | Family/Model # |
|--------------------|-----------------------|
| Lutron Electronics | DV-600P |
| Lutron Electronics | DVELV-303P |
| Lutron Electronics | NTELV-600 |
| Lutron Electronics | MAELV-600 |
| Lutron Electronics | SELV-300P |
| Lutron Electronics | DVLV-600P |
| Lutron Electronics | NFTU-5A |
| Lutron Electronics | CTCL-153P |
| Lutron Electronics | GL-600H |
| Lutron Electronics | S-600P |
| Lutron Electronics | PHPM |
| Power supply AN4 | Family/Model # |
| Lutron Electronics | DDTV plus PP-DV |
| Lutron Electronics | DVSCTV plus PP-DV |
| Lutron Electronics | DVSTV |
| Lutron Electronics | DVSCSTV |
| Lutron Electronics | QSGRJ-XP plus GRX-TVI |
| Lutron Electronics | QSGRJ-XE plus GRX-TVI |
| Lutron Electronics | QSGR-XE plus GRX-TVI |
| Lutron Electronics | NFTV plus PP-DV |
| Lutron Electronics | NTSTV |
| Lutron Electronics | RMJ-5T |
| Lutron Electronics | RMJS-8T |
| Lutron Electronics | FCJS-010 |
| Leviton | IlLumaTch IP7 series |
| Philips | Sunrise - SR1200ZTUNV |

LUTRON DRIVER COMPATIBILITY

| Power supply LH1 | Part No. |
|----------------------------|---------------------|
| PowPak Dimming Modules | RMJ-ECO32-DV-B |
| PowPak Dimming Modules | FCJ/FCJS-ECO |
| Energi Savr Nodes | QSN-1ECO-S |
| GRAFIK Eye QS control unit | QSN-2ECO-S |
| Homeworks QS control unit | QSN-2ECO-S |
| GRAFIK Eye QS control unit | QSGRJ-_E (wireless) |
| Homeworks QS control unit | QSGR-_E |
| Quantum Hub | QP2-_ _ 2C |
| Quantum Hub | QP2-_ _ 4C |
| Quantum Hub | QP2-_ _ 6C |
| Quantum Hub | QP2-_ _ 8C |
| Homeworks QS power module | LQSE-2ECO-D |
| myRoom Plus power module | LQSE-2ECO-D |



eldoLED DRIVER COMPATIBILITY

| Power supply EA2 | Family/Model # |
|---------------------------|--------------------------------|
| Busch-Jaeger | 2112U-101 |
| Jung | 240-10 |
| Leviton Lighting Controls | IP710-DLX |
| Lightolier Controls | ZP600FAM120 |
| Lutron Electronics | Nova T® - NTFTV |
| Lutron Electronics | Divia® - DDTV |
| Lutron Electronics | Nova® - NFTV |
| Merten | 5729 |
| Pass & Seymour | CD4FB-W |
| The Watt Stopper | DCLV1 |
| Sensor Switch | nIO EZ |
| Synergy | ISD BC |
| Lutron Electronics | GrafixEye® GRX-TVI w GRX3503 |
| Lutron Electronics | Energi Savr Node™ - QSN-4T16-S |
| Lutron Electronics | TVM2 Module |
| Crestron® | GLX-DIMFLV8 |
| Crestron® | GLXP-DIMFLV8 |
| Crestron® | GLPAC-DIMFLV4-* |
| Crestron® | GLPAC-DIMFLV8-* |
| Crestron® | GLPP-DIMFLVEX-PM |
| Crestron® | GLPP-1DIMFLV2EX-PM |
| Crestron® | GLPP-1DIMFLV3EX-PM |
| Crestron® | DIN-A08 |
| Crestron® | DIN-4DIMFLV4 |
| Crestron® | CLS-EXP-DIMFLV |
| Crestron® | CLCI-1DIMFLV2EX |
| ABB | SD/S 2.16.1 |

ANALOG DRIVERS AND DIMMERS

