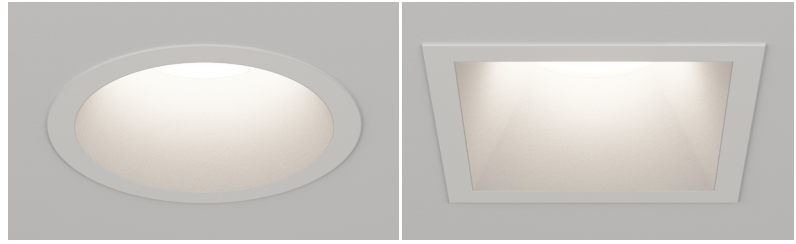


FRAXION®3 SLIM LVS

FIXED

Lots of light in an under-the-radar profile, with multiple design and installation options, ideal for corporate offices and retail settings.

PROJECT NAME:	TYPE:
---------------	-------



ORDERING INFORMATION - DOWNLIGHT / HOUSING

SHAPE	TRIM	RATING	TYPE	FLANGE FINISH	BAFFLE FINISH	CRI/WATTAGE PACKAGE	CCT	OPTIC (UGR)	INSTALL TYPE	CEILING THICKNESS	POWER SUPPLY	MEDIA
			F								LVS	
F3R Round	M Microflange	1 Dry/Damp	F Fixed	WH White	WH White	STATIC WHITE	24 2400K*	10 10°* (>19)	REMOTE	1 0.50" - 1.375"	LVS Low Voltage System	STANDARD MEDIA
F3S Square	T Trimless Drywall	2 Wet*		AG Satin Silver	AG Satin Silver	80S11A 80+ CRI, 11 Watts	27 2700K	15 15° (>19)	V IC, Remote	2 1.375" - 2.125"		04 Soft Focus Lens
	W Trimless Millwork	*[Requires provided suction cup to service or aim & focus]		AU Cashmere Gold	AU Cashmere Gold	80S15A 80+ CRI, 15 Watts	30 3000K	20 20° (<16)	W NIC, Remote	T 0.50" - 1.375"		NL No Lens*
				BB Burnt Bronze	BB Burnt Bronze	80S21A 80+ CRI, 21 Watts	35 3500K	25 25° (<16)	D IC, Airtight, Remote	*[Includes adjustable housing height bracket, recommended for T-Grid applications]		*[Standard with 10° optic. Not available for Wet location, Warm Dim or Airtight Housings]
				BK Black	BK Black	90S11A 90+ CRI, 11 Watts	40 4000K	40 40° (>19)	*[CCEA & Airtight compliant housing]			ALTERNATE MEDIA
				PR Primer	PR Primer	90S15A 90+ CRI, 15 Watts		60 60° (>19)				02 Honeycomb Louver*
				00 Trimless*	CF Custom Finish*	90S21A 90+ CRI, 21 Watts		85 85° (>19)				*[Not available for Wet location, Warm Dim or Airtight Housings]
				*[Required for trimless]	*[Consult Factory]	97S11A 97+ CRI, 11 Watts		*[Requires -14 WDL effects device]				03 Clear Glass Lens*
				CF Custom Finish*	*[Consult Factory]	97S15A 97+ CRI, 15 Watts						*[Not available for Warm Dim]
						97S21A 97+ CRI, 21 Watts						05 Frosted Glass Lens
												08 Frosted Soft Focus Lens
												14 Wide Distribution Lens*
												*[Required and only available for 85° beam spread]
												26 Frosted Linear Spread Lens
						WARM DIM	WL 2700K - 1800K	20 20° (<13)				
						90W15A 90+ CRI, 15 Watts Incandescent Profile	WD 3000K - 1800K	25 25° (<16)				
						Halogen Profile		40 40° (<19)				
						Dvld. Lumens - 1031		60 60° (>19)				
								85 85° (>19)				
								*[Requires -14 WDL effects device]				
						SEE PAGE 4 FOR DETAILED WARM DIM PROFILE COMPARISON.						
						ALL DELIVERED LUMEN OUTPUTS REFLECT 3000K PAIRED WITH 20° OPTIC AND SOFT FOCUS LENS.						
									SEE PAGE 4 FOR UGR RATINGS			



PART NUMBER NOTES

- Housing and trim ship as e.g., F3RM1F-WHWH-90S11A2-3V1-LVS






FRAXION3SLIM LVS FIXED

APPLICATION NOTES

- Lucifer Lighting will not supply a fixture with a POE node or power supply inside the fixture. This allows for easier site install with nodes of 2 or more outputs.
- Consult node manufacturer for maximum remote wiring distances.
- Housing and Fixture feature 18 Gauge wiring.
- Wiring connections are made in the splicing compartment or on the fixture using customer supplied connectors, ex. wire nuts, push-in connectors, or terminal blocks.
- Confirm node compatibility with factory if it is not listed.
- Customers are responsible for ensuring POE node drive current is set to correct values shown below.
- Customers must ensure voltage range of the proposed POE node encompasses the fixtures complete Vf range, both maximum and minimum. If assistance is required contact LLC rep or factory.

NODE COMPATIBILITY

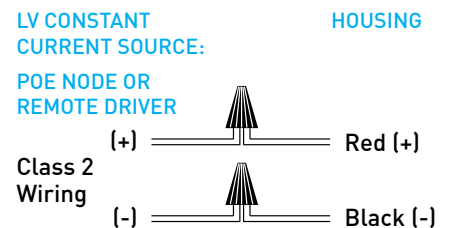
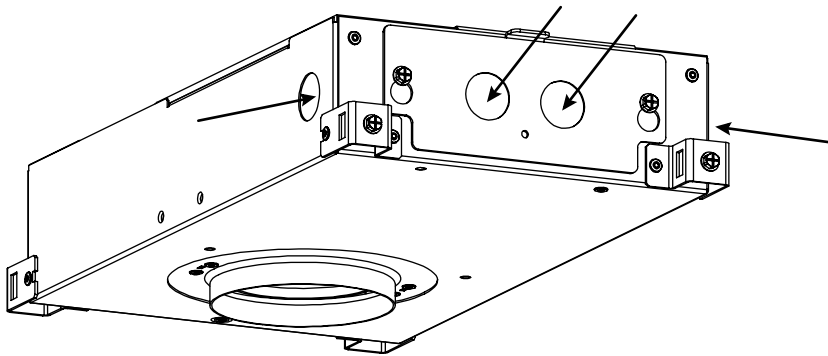
Manufacturer	Model Number
 Igor® Enabling Smart Buildings™	NP50-60-C-F-5
 molex	180996-1001 180996-1002 180996-2001 180996-2002
 PLATFORMATICS	1 Channel Node, POE-LN2-1U-E 2 Channel Node, POE-LN2-2U-E 4 Channel Node, POE-LN2-4U-E

DRIVE CURRENT SPECIFICS

	80S			90S			97S			90W	
	11A	15A	21A	11A	15A	21A	11A	15A	21A	15AD	15AL
Minimum Vf	30.5	30.5	30.5	30.5	30.5	30.5	30.5	30.5	30.5	30.5	30.5
Maximum Vf	39	39	39	39	39	39	39	39	39	39	39
Current mA	250	350	500	250	350	500	250	350	500	350	350
Wattage W	8.2	11.8	17.4	8.2	11.8	17.4	8.2	11.8	17.4	11.8	11.8

WIRING DIAGRAM AND HOUSING ENTRY/ EXIT POINTS

FIXED HOUSING



FRAXION3SLIM LVS FIXED

ACCESSORIES

ROUND SECONDARY MEDIA

Dry / Damp location only

Wet location requires alternate baffle.

- HCL-F3R** Honeycomb Louver w/ Diffusion Lens*
*(Not available for Warm Dim, Wet locations, or Airtight Housings)
- CGL-F3R** Clear Glass Lens*
*(Not available for Warm Dim)
- FGL-F3R** Frosted Glass Lens
- SFL-F3R** Soft Focus Lens
- FSFL-F3R** Frosted Soft Focus Lens
- WDL-F3R** Wide Distribution Lens*
*(For use with 60° optic only)
- FLSL-F3R** Frosted Linear Spread Lens

SQUARE SECONDARY MEDIA

Dry / Damp location only

Wet location requires alternate baffle.

- HCL-F3S** Honeycomb Louver w/ Diffusion Lens*
*(Not available for Warm Dim, Wet locations, or Airtight Housings)
- CGL-F3S** Clear Glass Lens*
*(Not available for Warm Dim)
- FGL-F3S** Frosted Glass Lens
- SFL-F3S** Soft Focus Lens
- FSFL-F3S** Frosted Soft Focus Lens
- WDL-F3S** Wide Distribution Lens*
*(For use with 60° optic only)
- FLSL-F3S** Frosted Linear Spread Lens

REPLACEMENT OPTICS

Interchangeable optics accessible through fixture aperture.

Static White

- RO-50-15-S** 15° optic
- RO-50-20-S** 20° optic
- RO-50-25-S** 25° optic
- RO-50-40-S** 40° optic
- RO-50-60-S** 60° optic

Warm Dim

- RO-50-20-W** 20° optic
- RO-50-25-W** 25° optic
- RO-50-40-W** 40° optic
- RO-50-60-W** 60° optic

ALTERNATE BAFFLE ASSEMBLY (INCLUDES EFFECTS DEVICE)

ASSEMBLY	SHAPE	RATING	TYPE	BAFFLE FINISH	EFFECTS DEVICE
RBA			F		
REPLACEMENT BAFFLE ASSEMBLY	F3R Round F3S Square	1 Dry / Damp 2 Wet* *(Requires suction cup to service or aim & focus)	F Fixed	WH White BK Black PR Primer AU Cashmere Gold AG Satin Silver BB Burnt Bronze CF Custom Finish * *(Consult Factory)	Leave blank for standard Soft Focus Lens CGL Clear Glass Lens * *(Not available for Warm Dim) FGL Frosted Glass Lens FSFL Frosted Soft Focus Lens WDL Wide Distribution Lens * *(For use with 60° optic only) FLSL Frosted Linear Spread Lens

REPLACEMENT SUCTION TOOL

One included with every six fixtures designated Wet location.

- F4-TOOL-SUCTION** Allows for removal of Wet Location baffles

T-GRID ACCESSORY KIT

Supplied with ceiling thickness "T" and recommended for installations in T-Grid up to 1.5" tall. Available for ceiling thicknesses from 0.50" - 2.125".

- TG-FX3-KIT**

FURRING CHANNEL ACCESSORY KIT

Recommended for installations in furring channel. Available for ceiling thicknesses from 0.50" - 2.125".

- DHA-FC-KIT**

HANGER BAR EXTENDER KIT

Extends hanger bars from 24.0" to 46.0" maximum.

- FRX-HBE-46** Extender, Hanger Bar

REPLACEMENT APPLIQUÉ

- DLA-APP-F3RT** Round
- DLA-APP-F3ST** Square

FRAXION3SLIM LVS FIXED

PERFORMANCE - 3000K

LUMEN PACKAGE	WATT-AGE	10° OPTIC NO SOFT FOCUS LENS		15° OPTIC SOFT FOCUS LENS		20° OPTIC SOFT FOCUS LENS		25° OPTIC SOFT FOCUS LENS		40° OPTIC SOFT FOCUS LENS		60° OPTIC SOFT FOCUS LENS		85° OPTIC WIDE DISTRIBUTION	
		DLVD	LPW	DLVD	LPW	DLVD	LPW	DLVD	LPW	DLVD	LPW	DLVD	LPW	DLVD	LPW
80S11A	11	-	-	1179	107	1259	114	1211	110	1098	100	1172	107	949	86
80S15A	15	1022	93	1594	106	1696	113	1634	109	1476	98	1583	106	1283	86
80S21A	21	-	-	2158	103	2304	110	2216	106	2006	96	2153	103	1731	82
90S11A	11	-	-	1013	92	1082	98	1040	95	943	86	1007	92	815	74
90S15A	15	881	80	1369	91	1457	97	1404	94	1268	85	1360	91	1102	73
90S21A	21	-	-	1854	88	1979	94	1904	91	1723	82	1850	88	1487	71
97S11A	11	-	-	889	81	950	86	913	83	828	75	884	80	716	65
97S15A	15	760	69	1202	80	1279	85	1233	82	1113	74	1194	80	968	65
97S21A	21	-	-	1628	78	1738	83	1672	80	1513	72	1624	77	1306	62
90W15AL (27K-18K)	15	-	-	-	-	1031	69	1001	67	928	62	992	66	814	54
90W15AD (30K-18K)	15	-	-	-	-	1031	69	1009	67	934	62	1000	67	823	55

OUTPUT MULTIPLIER

CCT	CCT SCALE
2400K	0.85
2700K	0.97
3000K	1.00
3500K	1.03
4000K	1.08

MEDIA LIGHT LOSS FACTOR

MEDIA	LIGHT LOSS FACTOR
NO LENS	1.08
CGL	1.00
SFL	1.00
FGL	0.86
FSFL	0.80
FLSL	0.77
WDL	0.81
HCL	0.68

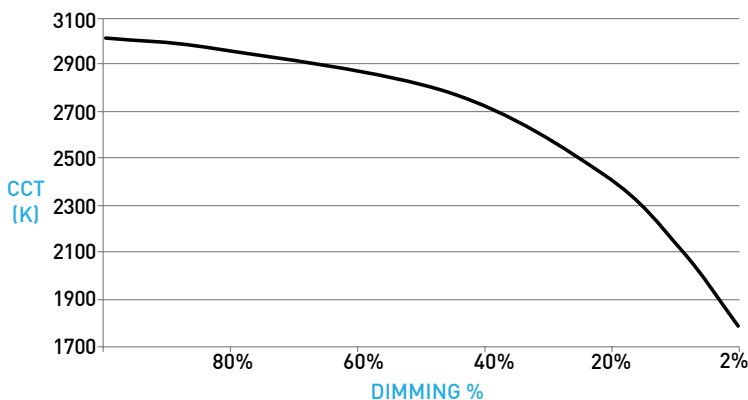
UNIFIED GLARE RATING

10° OPTIC NO LENS	15° OPTIC SOFT FOCUS LENS	20° OPTIC SOFT FOCUS LENS	25° OPTIC SOFT FOCUS LENS	40° OPTIC SOFT FOCUS LENS	60° OPTIC SOFT FOCUS LENS	85° OPTIC WIDE DISTRIBUTION LENS
>19	>19	<16	<16	<19	>19	>19

WARM DIM PERFORMANCE - SOFT FOCUS LENS - 20° OPTIC

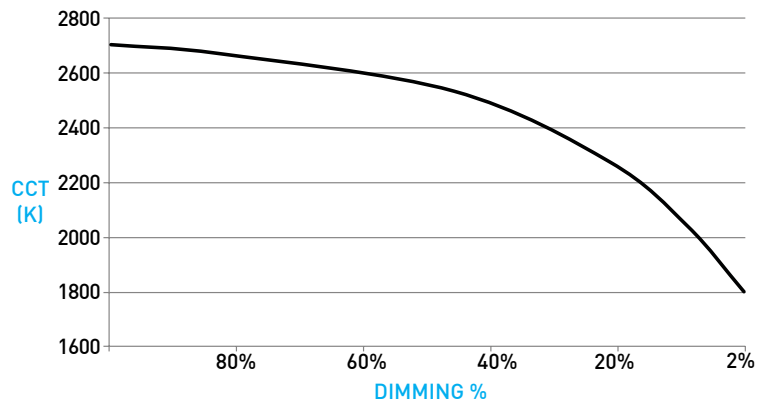
INCANDESCENT DIMMING PROFILE

90W15AL 2700K - 1800K	Full on 100%	Dimmed to 80%	Dimmed to 70%	Dimmed to 50%	Dimmed to 20%	Dimmed to 10%	Dimmed to 2%
CCT (K)	2700	2650	2620	2520	2180	1950	1800
Light Output (Lm)	1031	684	599	428	171	85	17
Power (W)	15	12	10	8	3	1.5	0.3
Efficacy (LPW)	69	64	67	60	64	64	63



HALOGEN WARM DIM PROFILE

90W15AD 3000K - 1800K	Full on 100%	Dimmed to 80%	Dimmed to 70%	Dimmed to 50%	Dimmed to 20%	Dimmed to 10%	Dimmed to 2%
CCT (K)	3000	2950	2920	2775	2375	2000	1800
Light Output (Lm)	1031	769	673	481	192	96	19
Power (W)	15	12	10	8	3	1.5	0.3
Efficacy (LPW)	69	64	67	60	64	64	63

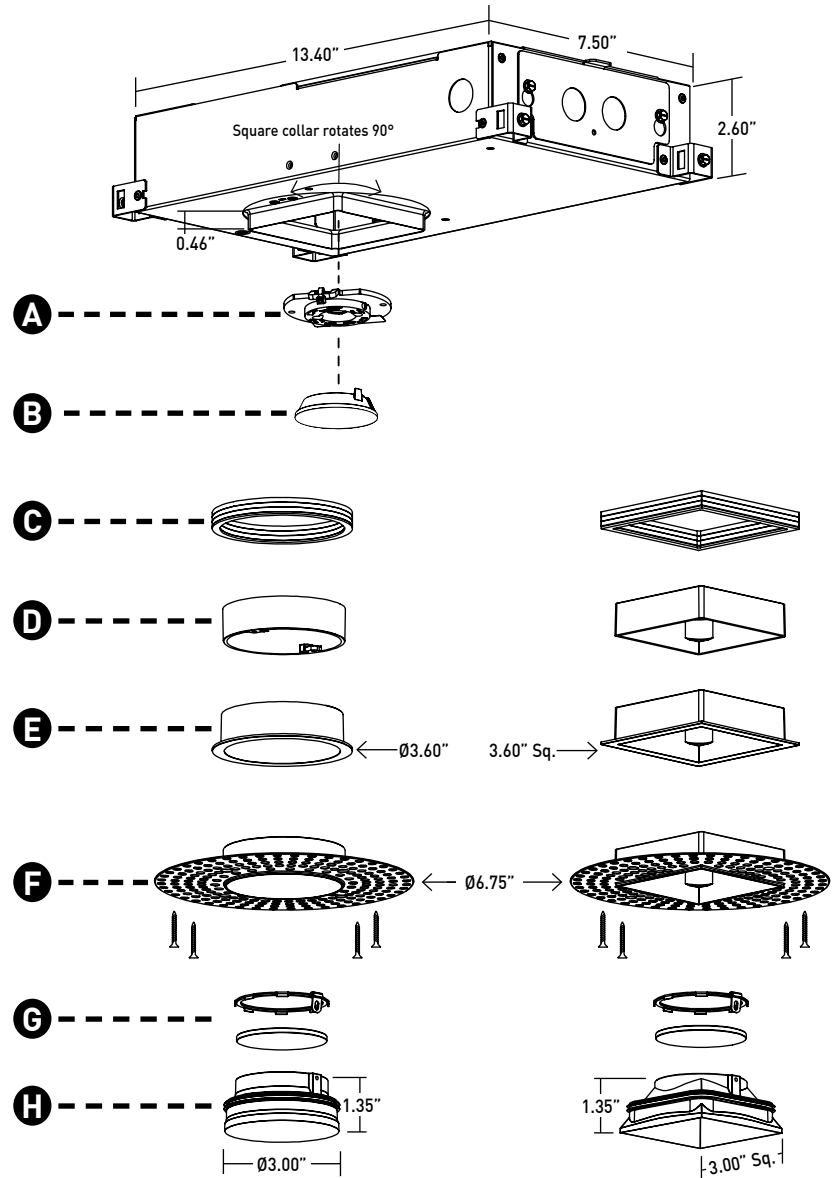


FRAXION3SLIM LVS FIXED

DOWNLIGHT / HOUSING

- A LED**
Integral LED module design enables field service / replacement through housing aperture.
 - B OPTIC**
Robust light engine with optimized optic pairing integrates Reflection, Refraction, and TIR offering 10°, 15°, 20°, 25°, 40° & 60° beams.
 - C TRIMLESS MILLWORK SPACERS**
Provided for Trimless Millwork installations; includes (1) 1/16" spacer and (5) 1/8" spacers.
 - D TRIM EXTENSION**
Provided for -2 ceiling thickness; accommodates 2.125" max ceiling thickness.
 - E MICROFLANGE PROFILE**
Features 0.30" flange. Thickness measures 0.06". Installed after ceiling is complete. Requires 3.375" diameter cutout. Wet location features integral silicone gasket.
 - F TRIMLESS DRYWALL PROFILE**
Installs totally flush with the ceiling with no visible trim. Appliqué includes screws for mounting and has 0.06" plaster stop. Not recommended for stucco applications.
 - G MEDIA / LENS RETAINER**
Fixture is limited to 1 effects device. Wet location effects device is sealed in place. Suction tool provided for removal of baffle with wet location. Lens retainer allows effects devices to be changed in Dry /Damp locations.
 - H ROUND BAFFLE**
Die-cast removable baffle provides easy access to tilting mechanism and features 62° glare cutoff. Minimizes aperture glare and conceals view into housing; includes gasket.
- SQUARE TRANSITIONAL BAFFLE**
Die-cast removable baffle provides easy access to tilting mechanism and features 62° glare cutoff. Transitions from square aperture at ceiling plane to round aperture at light source. Minimizes aperture glare and conceals view into housing; includes gasket.

DIMENSIONS / DRAWINGS



FRAXION3SLIM LVS FIXED

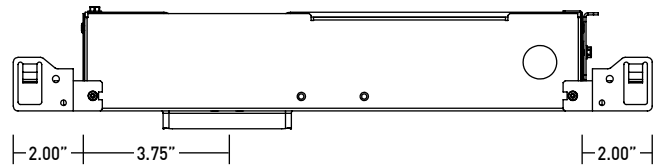
DOWNLIGHT / HOUSING

- I** **IC HOUSING**
 - For IC ceilings.
 - No setback from polycell spray foam insulation having max R-Value of 60 on all sides and top of housing.
- J** **NIC HOUSING**
 - Minimum 0.50" setback from combustible and non-combustible materials on all sides and top of housing.
 - Minimum 3.00" setback from insulation material having max R-Value 30 on all sides and top of housing.
 - Minimum 6.00" setback from polycell spray foam insulation having max R-Value 60.
- K** **ADJUSTABLE HANGER BAR HEIGHT ACCESSORY**

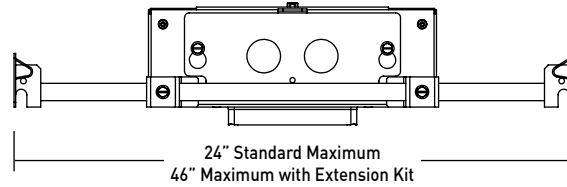
Provided with ceiling thickness "T" and recommended for installations in T-Grid up to 1.5" tall. Hanger bars are installed to adjustable bracket. Allows housing to be raised and lowered; ceiling thickness remains 0.5" to 1.375" max.
- L** **APPLIQUÉ DETAIL**

Appliqué for plaster floating directly to baffle.

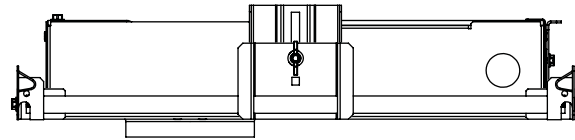
I / J



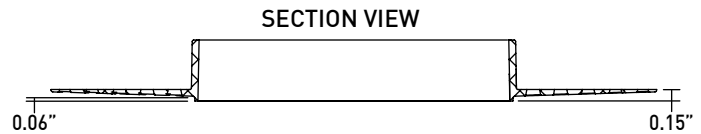
IC HOUSING FEATURES STRIP GASKETS



K



L



HOUSING NOTES

- Do not install NON-IC housings in environments where ambient temperatures exceed 40°C (104°F). See table below for IC housings.
- Splice connections may be serviced from room side.
- Consult factory for spacing requirements for any installations exceeding R-Value 60.
- Hanger bars fitted to short side of housing or long side when TG accessory is specified; extend from 14.0" to 24.0", but may be field cut to accommodate narrow stud spacing. Can be extended up to 46" maximum with FRX-HBE-46 kit.
- Hanger bars and brackets add 4.00" max to the overall dimension, but are exclusive of the setback requirements.
- Housings for round trims feature a round aperture housing collar. Housings for square trims feature a square housing collar that rotates up to 90 degrees for fixture alignment. Housing collars accommodate ceiling thicknesses between 0.50" and 2.125".

IC HOUSING MAX AMBIENT TEMPERATURE	
LUMEN PACKAGE	TEMPERATURE
11W STATIC WHITE	40°C (104°F)
15W STATIC WHITE	35°C (95°F)
21W STATIC WHITE	25°C (77°F)
15W WARM DIM	30°C (86°F)

FRAXION3SLIM LVS FIXED

TECHNICAL

CONSTRUCTION

Downlight: Painted finishes are granulated powder coat.

Housing: Aluminum and 22 Gauge galvanized steel. Extruded aluminum housing panel to act as heat-sink.

Appliqué: Zinc alloy.

STATIC WHITE LED

2-step MacAdam ellipse LED module available in 80+, 90+ and 97+ CRI configurations in color temperatures of 2700K, 3000K, 3500K and 4000K. 3-step MacAdam ellipse LED module available in 90+ CRI configuration in color temperature of 2400K. Average rated lamp life of 50,000 hours. LED and driver assemblies are field-replaceable.

WARM DIM LED

3-step MacAdam ellipse warm dim LED module available in 90+ CRI configuration. 3000K or 2700K at full brightness, warming to 1800K at full dim. Average rated lamp life of 50,000 hours. LED and driver assemblies are field-replaceable.

LISTING

cTUVus listed to UL2108 standard for Dry / Damp and Wet locations. CCEA, Airtight and Title 24 JA8-2022 Listed.

BUY AMERICAN ACT

All Fraxion3 Slim Fixed configurations are Buy American Act compliant.

DECLARE

LBC Red List Approved.

WEIGHT

Fixture - 1.8 lbs

LIMITED WARRANTY

Manufacturer's 1-year warranty guarantees product(s) listed to be free from defects in material and workmanship under normal use and service. 5-year warranty on LED to operate with 70% of the original flux and remain within a range of 3 duv. Warranty period begins from the date of shipment by Seller. [Consult website for full warranty terms and conditions.](#)

CHANGE LOG

- 01/12/2021: ADDED 2200K, 2700K-1800K WARM DIM AND 10 DEGREE OPTIC OFFERINGS.
- 04/30/2021: REMOVED QUICK SHIP.
- 10/17/2022: REMOVED 90W13A 3200K-1800K WARM DIM AND ADDED 90W12A 3000K-1800K WARM DIM.
- 10/17/2022: UPDATED MAX AMBIENT TEMPERATURE TABLE.
- 04/26/2023: ADDED DECLARE LBC RED LIST APPROVED.
- 08/07/2023: ADDED NEW LED AND OPTIC OFFERINGS. REMOVED 2200K OFFERING.
- 02/01/2024: ADDED 2400K OFFERING.

