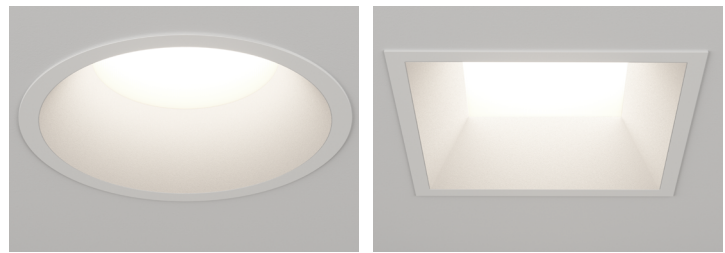




FRAXION® 4 HIGH FLUX LVS ADJUSTABLE

Very versatile, and highly configurable, these 4-inch downlights are the widest aperture we offer, ideal for overall illumination in residential and commercial spaces.

PROJECT NAME:	TYPE:
---------------	-------



ORDERING INFORMATION - DOWNLIGHT / HOUSING

SHAPE	TRIM	RATING	FLANGE FINISH	BAFFLE FINISH	CRI/WATTAGE PACKAGE	CCT	OPTIC (UGR)	INSTALL TYPE	CEILING THICKNESS	DRIVER	MEDIA
										LVS	
F4R Round	FAS Standard Flange MAS Microflange TAS Trimless	1 Dry/Damp 2 Wet * (Suction cup provided for aim and focus)	WH White AG Satin Silver AU Cashmere Gold	WH White AG Satin Silver AU Cashmere Gold	 STATIC WHITE 8.75" TALL HOUSING 80S30E 80+ CRI, 30W, Lumens Divd. - 3090 80S36E 80+ CRI, 36W, Lumens Divd. - 3671* <small>* (Not available for IC housing applications)</small> 80S53E 80+ CRI, 53W, Lumens Divd. - 5043* <small>* (Not available for IC housing applications)</small> 90S30E 90+ CRI, 30W, Lumens Divd. - 2753 90S36E 90+ CRI, 36W, Lumens Divd. - 3270* <small>* (Not available for IC housing applications)</small> 90S53E 90+ CRI, 53W, Lumens Divd. - 4493* <small>* (Not available for IC housing applications)</small> 97S30E 97+ CRI, 30W, Lumens Divd. - 2472 97S36E 97+ CRI, 36W, Lumens Divd. - 2936* <small>* (Not available for IC housing applications)</small> 97S53E 97+ CRI, 53W, Lumens Divd. - 4034* <small>* (Not available for IC housing applications)</small>	27 2700K 30 3000K 35 3500K* <small>* (Not available for 97+ CRI)</small> 40 4000K	15 15° (<19) 20 20° (<16) 25 25° (<16) 40 40° (<19) 60 60° (<19) 85 85°* (>19) <small>* (Requires -14 WDL effects device)</small>	REMOTE POWER SUPPLY V IC, Remote W NIC, Remote D IC, Airtight, Remote* <small>* (CCEA & Airtight compliant housing)</small>	1 0.50" - 1.00" T Butterfly 0.50" - 1.00"* <small>* (Includes adjustable housing height bracket)</small> REQUIRES CUSTOMER SUPPLIED 1/2" CONDUIT, CHANNEL, OR FURRING CHANNEL FOR MOUNTING	LVS Low Voltage System	STANDARD MEDIA 04 Soft Focus Lens NL No Lens* <small>* (Standard with 10° optic. Not available for Wet Location, or Airtight Housings)</small>
F4S Square	FAS Standard Flange MAS Microflange TAS Trimless FAT Standard Flange Transitional Baffle MAT Microflange Transitional Baffle TAT Trimless Transitional Baffle		BB Burnt Bronze BK Black PR Primer 00 Trimless* <small>* (Required for trimless)</small> CF Custom Finish* <small>* (Consult Factory)</small>	BB Burnt Bronze BK Black PR Primer CF Custom Finish* <small>* (Consult Factory)</small>	 WARM DIM 8.75" TALL HOUSING 90W26B 90+ CRI, 26W, Lumens Divd. - 1779 Incandescent Profile 90W42E 90+ CRI, 42W, Lumens Divd. - 2813 Incandescent Profile* <small>* (Not available for IC housing applications)</small> *SEE PAGE 4 FOR DETAILED WARM DIM PROFILE *LUMEN DELIVERED OUTPUTS REFLECT 3000K PAIRED WITH 20° OPTIC AND SOFT FOCUS LENS.	WL 2700K - 1800K	20 20° (<16) 25 25° (<16) 40 40° (<16) 60 60° (<16) 85 85°* (>19) <small>* (Requires -14 WDL effects device)</small>			ALTERNATE MEDIA 03 Clear Glass Lens* <small>* (Not available for Warm Dim)</small> 05 Frosted Glass Lens 08 Frosted Soft Focus Lens 14 Wide Distribution Lens* <small>* (Required and only available for 85° beam spread)</small> 26 Frosted Linear Spread Lens 28 Adjustable Honeycomb Louver and Soft Focus Lens* <small>* (Not available with 60° optic, Wet location, or Airtight Housings)</small>	



PART NUMBER NOTES




- Housing and trim ship as e.g., F4RMAS1-WHWH-90S30B-3V1-LVS

FRAXION4 HIGH FLUX LVS ADJUSTABLE

APPLICATION NOTES

- Customers must ensure voltage range of the proposed POE node encompasses the fixtures complete Vf range, both maximum and minimum, and can be set to the required mA drive current. If assistance is required contact LLC rep or factory.
- Customers are responsible for ensuring POE node drive current is set to correct values shown below.
- Lucifer Lighting will not supply a fixture with a POE node or power supply inside the fixture. This allows for easier site install with nodes of 2 or more outputs.
- Consult node manufacturer for maximum remote wiring distances.
- Housing and Fixture feature 18 Gauge wiring.
- Wiring connections are made in the splicing compartment using customer supplied connectors, ex. wire nuts, push-in connectors, or terminal blocks.
- Confirm node compatibility with factory if it is not listed.

NODE COMPATIBILITY

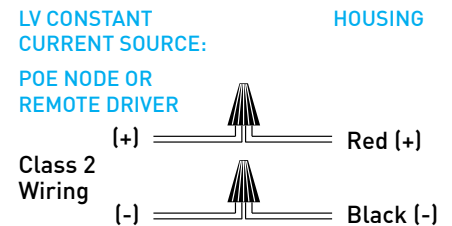
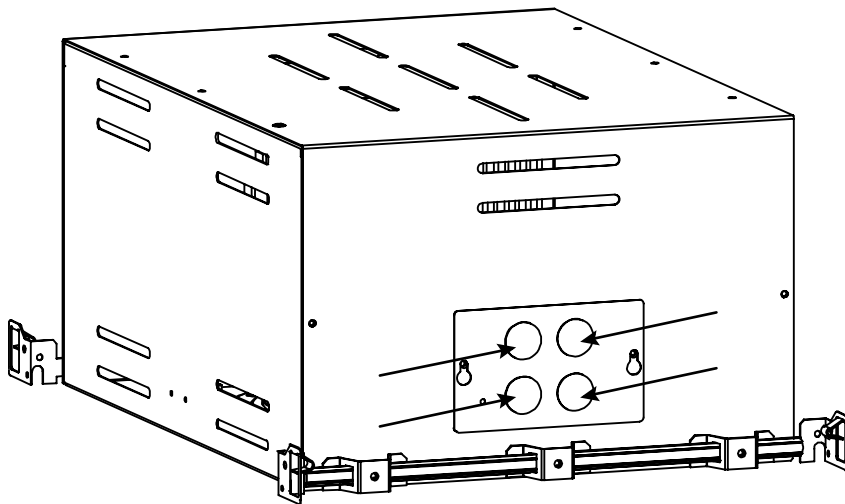
Manufacturer	Model Number
 Igor® Enabling Smart Buildings™	NP50-60-C-F-5
 molex	180996-5103 180996-5106 180996-5104
 PLATFORMATICS	1 Channel Node, POE-LN2-1U-E 2 Channel Node, POE-LN2-2U-E 4 Channel Node, POE-LN2-4U-E

*SEE APPLICATION NOTE 1

DRIVE CURRENT SPECIFICS

	90S			90S			97S			90W	
	30E	36E	53E	30E	36E	53E	30E	36E	53E	26B	42E
Minimum Vf	30.5	30.5	30.5	30.5	30.5	30.5	30.5	30.5	30.5	30.5	30.5
Maximum Vf	39	39	39	39	39	39	39	39	39	39	39
Current mA	700	850	1250	700	850	1250	700	850	1250	600	1000
Wattage W	25.4	29.1	43.6	25.4	29.1	43.6	25.4	29.1	43.6	20.1	34

WIRING DIAGRAM AND HOUSING ENTRY/ EXIT POINTS



FRAXION4 HIGH FLUX LVS ADJUSTABLE

ACCESSORIES

ROUND ALTERNATE MEDIA

Dry/Damp location only.
Wet location requires alternate baffle.

- CGL-F4R** Clear Glass Lens*
*(Not available for Warm Dim)
- FGL-F4R** Frosted Glass Lens
- SFL-F4R** Soft Focus Lens
- FSFL-F4R** Frosted Soft Focus Lens
- WDL-F4R** Wide Distribution Lens*
*(Required and only available for 85° beam spread)
- FLSL-F4R** Frosted Linear Spread Lens

SQUARE ALTERNATE MEDIA

Dry/Damp location only.
Wet location requires alternate baffle.

- CGL-F4S** Clear Glass Lens*
*(Not available for Warm Dim)
- FGL-F4S** Frosted Glass Lens
- SFL-F4S** Soft Focus Lens
- FSFL-F4S** Frosted Soft Focus Lens
- WDL-F4S** Wide Distribution Lens*
*(Required and only available for 85° beam spread)
- FLSL-F4S** Frosted Linear Spread Lens

ADJUSTABLE HCL ASSEMBLY

Dry / Damp location only.

- OLR-F4RS1-SFL-HCL** Adjustable Honeycomb Louver and Soft Focus Lens*
*(Not available for 60° optic, or Airtight housings)

REPLACEMENT BAFFLE ASSEMBLY (INCLUDES MEDIA)

ASSEMBLY	SHAPE	TRIM	RATING	FLANGE FINISH	MEDIA
RBA					
REPLACEMENT BAFFLE ASSEMBLY	F4R Round	FAS Standard Flange MAS Microflange TAS Trimless	1 Dry / Damp 2 Wet	WH White BK Black PR Primer AU Cashmere Gold AG Satin Silver BB Burnt Bronze CF Custom Finish * *(Consult Factory)	Leave blank for standard Soft Focus Lens CGL Clear Glass Lens * *(Not available for Warm Dim) FGL Frosted Glass Lens FSFL Frosted Soft Focus Lens WDL Wide Distribution Lens* *(Required and only available for 85° beam spread) FLSL Frosted Linear Spread Lens
	F4S Square	FAS Standard Flange MAS Microflange TAS Trimless FAT Standard Flange Transitional Baffle MAT Microflange Transitional Baffle TAT Trimless Transitional Baffle			

REPLACEMENT OPTICS

Interchangeable optics accessible through fixture aperture.

STATIC WHITE

- RO-70-15-S** 15° optic
- RO-70-20-S** 20° optic
- RO-70-25-S** 25° optic
- RO-70-40-S** 40° optic
- RO-70-60-S** 60° optic

WARM DIM

- RO-70-15-W** 15° optic
- RO-70-20-W** 20° optic
- RO-70-25-W** 25° optic
- RO-70-40-W** 40° optic
- RO-70-60-W** 60° optic

REPLACEMENT SUCTION TOOL

One included with every six fixtures designated Wet location.

- F4-TOOL-SUCTION** Allows for removal of baffle with Wet location

BUTTERFLY BRACKET ASSEMBLY

Supplied with ceiling thickness "T" and recommended for installations in T-Grid and furring channel up to 1.5" tall. Available for ceiling thicknesses from 0.50" - 1.00". Requires customer supplied 1/2" conduit, channel, or furring channel for mounting.

- DHA-BFLY-KIT**

HANGER BAR EXTENDER KIT

Extends hanger bars from 24.0" to 46.0" maximum.

- FRX-HBE-46** Extender, Hanger Bar

FRAXION4 HIGH FLUX LVS ADJUSTABLE

PERFORMANCE - 3000K

LUMEN PACKAGE	WATTAGE	15° OPTIC SOFT FOCUS LENS		20° OPTIC SOFT FOCUS LENS		25° OPTIC SOFT FOCUS LENS		40° OPTIC SOFT FOCUS LENS		60° OPTIC SOFT FOCUS LENS		85° OPTIC WIDE DISTRIBUTION LENS	
		DLVD.	LPW	DLVD.	LPW	DLVD.	LPW	DLVD.	LPW	DLVD.	LPW	DLVD.	LPW
80S30E	30	2920	97	3090	103	3092	103	2929	98	2759	92	2445	81
80S36E	36	3447	96	3671	102	3647	101	3456	96	3259	91	2880	80
80S53E	53	4726	89	5043	95	4986	94	4749	90	4435	84	3938	74
90S30E	30	2601	87	2753	92	2755	92	2609	87	2458	82	2178	73
90S36E	36	3071	85	3270	91	3249	90	3079	86	2903	81	2566	71
90S53E	53	4210	79	4493	85	4442	84	4231	80	3951	75	3508	66
97S30E	30	2335	78	2472	82	2474	82	2343	78	2207	74	1956	65
97S36E	36	2758	77	2936	82	2917	81	2765	77	2607	72	2304	64
97S53E	53	3780	71	4034	76	3989	75	3799	72	3548	67	3150	59
90W26B	26	1641	63	1779	68	1729	67	1645	63	1578	61	1395	54
90W42E	42	2534	60	2813	67	2700	64	2575	61	2476	59	2196	52

OUTPUT MULTIPLIER

CCT	CCT SCALE
2700K	0.97
3000K	1.00
3500K	1.03
4000K	1.08

MEDIA LIGHT LOSS FACTOR

MEDIA	LIGHT LOSS FACTOR
NO LENS	1.06
CGL	1.00
SFL	1.00
FGL	0.89
FSFL	0.81
FLSL	0.82

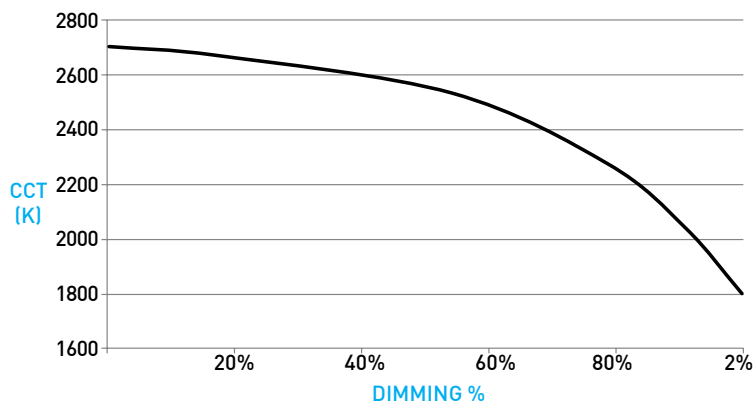
UNIFIED GLARE RATING

15° OPTIC SOFT FOCUS LENS	20° OPTIC SOFT FOCUS LENS	25° OPTIC SOFT FOCUS LENS	40° OPTIC SOFT FOCUS LENS	60° OPTIC SOFT FOCUS LENS	85° OPTIC WIDE DISTRIBUTION
<16	<13	<13	<13	<13	>19

WARM DIM PERFORMANCE - 20° OPTIC - SOFT FOCUS LENS

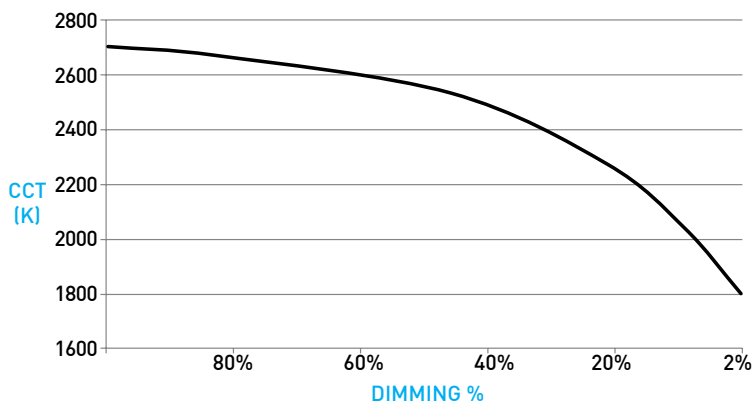
WARM DIM TO MIRROR INCANDESCENT DIMMING PROFILE

90W26B 2700K - 1800K	Full on 100%	Dimmed to 80%	Dimmed to 70%	Dimmed to 50%	Dimmed to 20%	Dimmed to 10%	Dimmed to 2%
CCT (K)	2700	2650	2620	2520	2180	1950	1800
Light Output (Lm)	1779	1423	1245	889	355	177	35
Power (W)	26	21	18	13	5	3	.5
Efficacy (LPW)	68	68	68	68	68	68	68



WARM DIM TO MIRROR INCANDESCENT DIMMING PROFILE

90W42E 2700K - 1800K	Full on 100%	Dimmed to 80%	Dimmed to 70%	Dimmed to 50%	Dimmed to 20%	Dimmed to 10%	Dimmed to 2%
CCT (K)	2700	2650	2620	2520	2180	1950	1800
Light Output (Lm)	2813	2250	1969	1406	562	281	56
Power (W)	42	33	29	21	8	4	.8
Efficacy (LPW)	67	67	67	67	67	67	67



FRAXION4 HIGH FLUX LVS ADJUSTABLE

DOWNLIGHT / HOUSING

A ADJUSTABILITY

Aiming mechanism is integral to the housing, providing hot-aim tilt up to 40° and 365° rotation. Sliding pivot point optimizes center beam, ensuring unclipped beam of 15° at 40° tilt and 25° at 30° tilt. 1° tilt increments with 5° indicators, tilt guide included (see **A1** for section view).

B LED

Integral LED module design enables field service / replacement through housing aperture.

C OPTIC

Robust light engine with optimized optic pairing integrates Reflection, Refraction and TIR offering 10°, 15°, 20°, 25°, 40° & 60° beams.

D1 STANDARD FLANGE PROFILE

Installed after ceiling is complete. Requires 4.625" diameter cutout. Provides 0.86" total contractor (goof) allowance with 0.50" flange. Thickness measures 0.06". Wet location features integral silicone gasket.

D2 MICROFLANGE PROFILE

Installed after ceiling is complete. Requires 4.625" diameter cutout. Provides 0.42" total contractor (goof) allowance with 0.28" flange. Thickness measures 0.06". Wet location features integral silicone gasket.

D3 TRIMLESS PROFILE

Installs totally flush with the ceiling with no visible trim. Appliqué includes screws for mounting and has 0.06" plaster stop. Not recommended for stucco applications.

E MEDIA

Soft focus lens included and sealed in Wet location option. Fixture is limited to 1 media. Suction tool provided for removal of wet location baffles.

E1 ADJUSTABLE HCL ASSEMBLY

Honeycomb Louver and Soft Focus Lens attach directly to optic with clip-on lens retainer and adjusts with fixture. Only compatible with no lens baffle. Dry/Damp locations only.

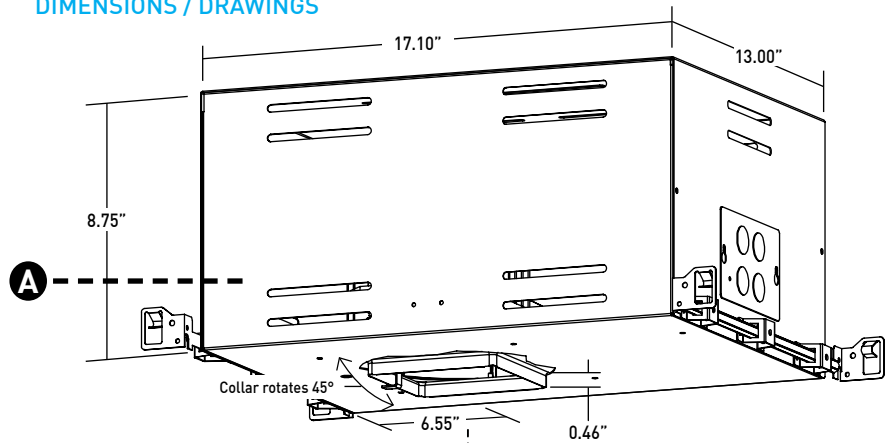
F1 ROUND BAFFLE

Die-cast removable baffle provides easy access to tilting mechanism and features 72° glare cutoff. Minimizes aperture glare and conceals view into housing; includes silicone gasket.

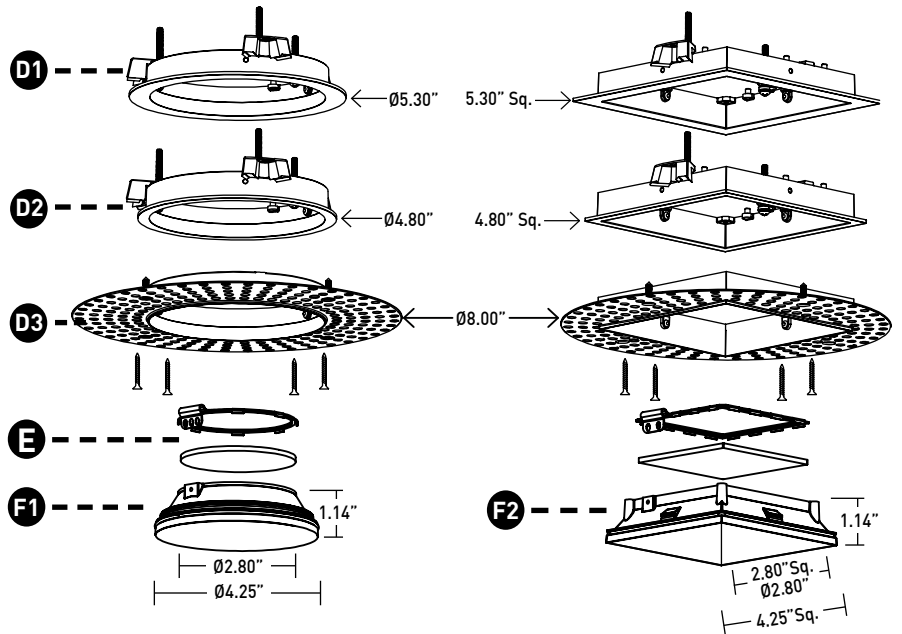
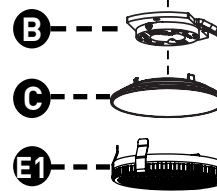
F2 SQUARE / TRANSITIONAL BAFFLE

Die-cast removable baffle provides easy access to tilting mechanism and features 72° glare cutoff. Minimizes aperture glare and conceals view into housing; includes silicone gasket. Transitional baffle transitions from square aperture at ceiling plane to round aperture at light source.

DIMENSIONS / DRAWINGS

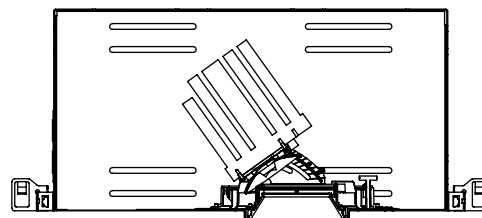


NOTE: Square housing shown, housing will feature round aperture for round fixtures.



A1

SECTION VIEW

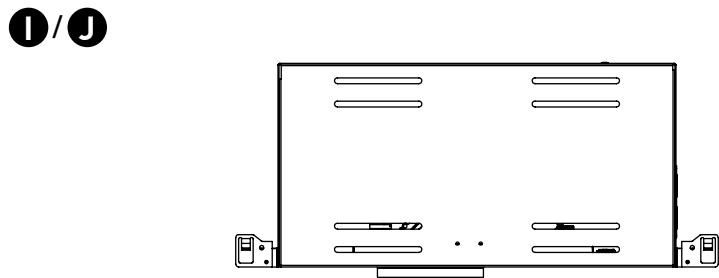
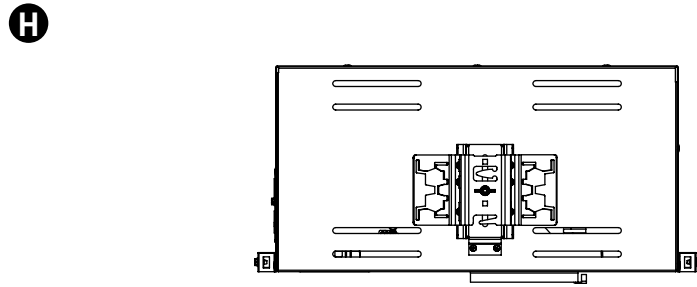
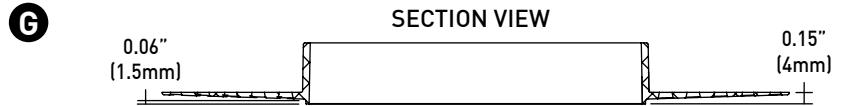


FRAXION4 HIGH FLUX LVS ADJUSTABLE

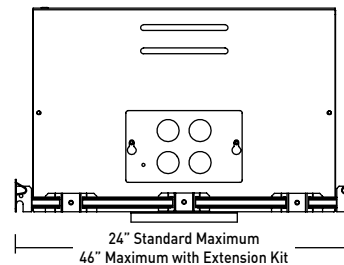
DOWNLIGHT / HOUSING

- G TRIMLESS APPLIQUÉ DETAIL**
Integrated appliqué for plaster floating directly to baffle.
- H BUTTERFLY BRACKET ASSEMBLY**
Adjustable height bracket assembly provided with ceiling thickness "T" and recommended for installations in T-Grid and with furring channel. Requires customer supplied 1/2" conduit, channel or furring channel for mounting. Allows housing to be raised and lowered; ceiling thickness remains 0.5" to 1.0" max.
- I IC HOUSING**
 - For IC ceilings.
 - CCEA and Airtight listed.
 - Accommodates max 2612 delivered lumens.
 - No setback from polycell spray foam insulation having max R-Value of 60 on all sides and top of housing.
- J NIC HOUSING**
 - Minimum 0.50" setback from combustible and non-combustible materials on all sides and top of housing.
 - Minimum 3.00" setback from insulation material having max R-Value 30 on all sides and top of housing.
 - Minimum 6.00" setback from polycell spray foam insulation having max R-Value 60.

DIMENSIONS / DRAWINGS



IC / NIC HAVE SAME DIMENSIONS AND NIC FEATURES VENTS



HOUSING NOTES

- Do not install in environments where ambient temperatures exceed 40°C (104°F) for 26W, 30W, and 36W configurations.
- Do not install in environments where ambient temperatures exceed 35°C (95°F) for 42W and 53W configurations.
- All splice connections may be serviced from room side.
- Consult factory for spacing requirements for any installations exceeding R-Value 60.
- Hanger bars fitted to short side of housing; extend from 14.0" to 24.0", but may be field cut to accommodate narrow stud spacing. Can be extended up to 46" maximum with FRX-HBE-46 kit.
- Hanger bars and brackets add 4.00" to the overall dimension, but are exclusive of the setback requirements.
- Housings for round trims feature a round aperture housing collar, and for square trims, a square housing collar, accommodating ceiling thicknesses between 0.50" and 1.00".

FRAXION4 HIGH FLUX LVS ADJUSTABLE

TECHNICAL

CONSTRUCTION

Downlight: Painted finishes are granulated powder coat.

Housing: Aluminum and 22 Gauge galvanized steel. Extruded aluminum housing panel to act as heat-sink.

Appliqué: Zinc Alloy

STATIC WHITE LED

2-step MacAdam ellipse LED module available in 80+, 90+ and 97+ CRI configurations in color temperatures of 2700K, 3000K, 3500K and 4000K. Average rated lamp life: 50,000 hours. LED assemblies are field-replaceable.

WARM DIM LED

3-step MacAdam ellipse warm dim LED module available in 90+ CRI configuration. 2700K at full brightness, warming to 1800K at full dim. Average rated lamp life of 50,000 hours. LED assemblies are field-replaceable.

LISTING

cTUVus listed to UL2108 standard for Dry / Damp and Wet locations.

CCEA and Airtight Listed.

U.S. Patent: 10,317,066

WEIGHT

Fixture - 15lbs max

LIMITED WARRANTY

Manufacturer's Limited Warranty guarantees product(s) listed to be free from defects in material and workmanship under normal use and service. 5-year warranty on LED to operate with 70% of the original flux and remain within a range of 3 duv. Warranty period begins from the date of shipment by Seller. [Consult website for full warranty terms and conditions.](#)

CHANGE LOG

1. 08/08/2023: UPDATED WITH NEW LED AND OPTIC SYSTEM.