

STEALTH AND IMPACT®

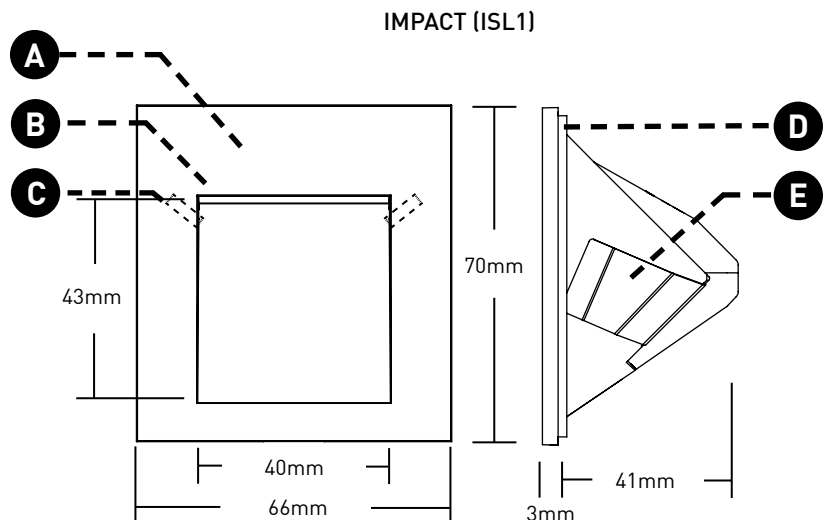
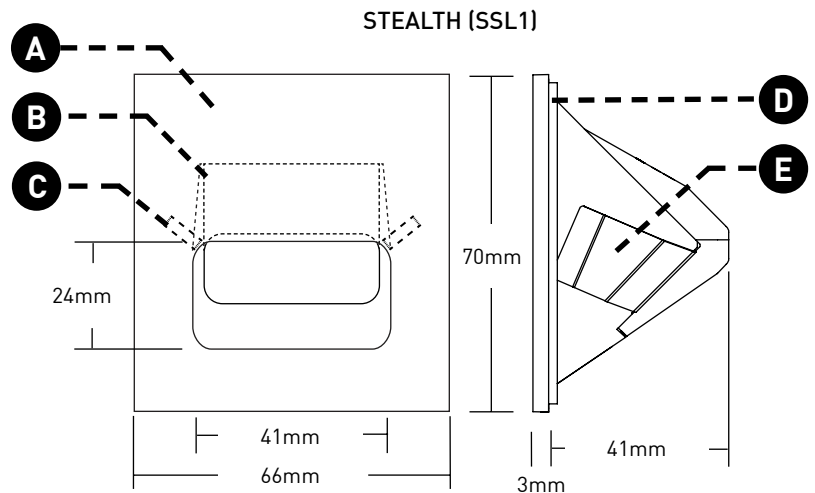
Low glare path lights lead the way through the out of doors, as built-ins or from freestanding bollards.



ORDERING INFORMATION AND DRAWINGS - FITTING

| FIXTURE | RATING | FLANGE FINISH | | | CRI / WATTAGE PACKAGE | CCT |
|---|---|--|---|---|---|---|
| SSL1 Stealth Steplight ISL1 Impact Steplight | 1 Dry / Damp (Non-Locking) 2 Wet (Locking) | POWDER COAT FINISH WH White BK Black AG Satin Silver AB Architectural Bronze CF Custom Finish* *(Consult Factory) | NATURAL FINISH IG Industrial Gray SS Brushed Stainless Steel BR Brushed Bronze NB Natural Bronze | PLATED FINISH CH Chrome* *(Increased lead time) PB Polished Oil-Rubbed Bronze* *(Increased lead time, not available for wet location) MB Matte Oil-Rubbed Bronze* *(Increased lead time, not available for wet location) | STEALTH & IMPACT 90L04B 90+ CRI, 4.2 Watts SSL1 Delivered Lumens - 89 ISL1 Delivered Lumens - 134 | 27 2700K 30 3000K 35 3500K 40 4000K CC Custom Color (gell)* Color Temp: _____K *(Custom gels assigned unique suffix upon receipt of order. Contact Product Support for guidance.) |

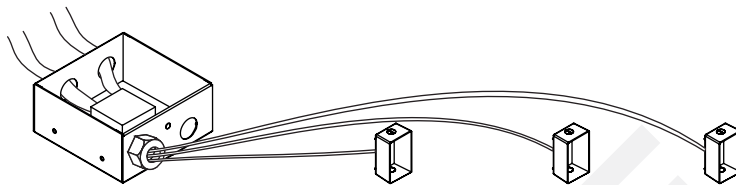
- A LED**
Regressed DC LED with slot aperture for glare-free, energy-efficient path and step lighting; suitable for dry / damp or wet applications. Dimming by power supply.
 - B MEDIA**
Provided with sealed polycarbonate linear diffusion lens; consult factory for availability of color gels, which may achieve custom color temperatures.
 - C LOCKING**
Discreetly hidden tamper-resistant set screws. Included with IP65 Wet location luminaire.
 - D GASKET**
Foam gasket provided. Required for IP65 wet location applications only.
 - E RETENTION**
Torsion spring clips secure fixture into back box, mounting plate, or appropriately sized cut-out.
- Available with Bollard mounting, please visit [WEBSITE](#) for additional information.
 - Double Impact ISL2 pathlight available, please visit [WEBSITE](#) for additional information.



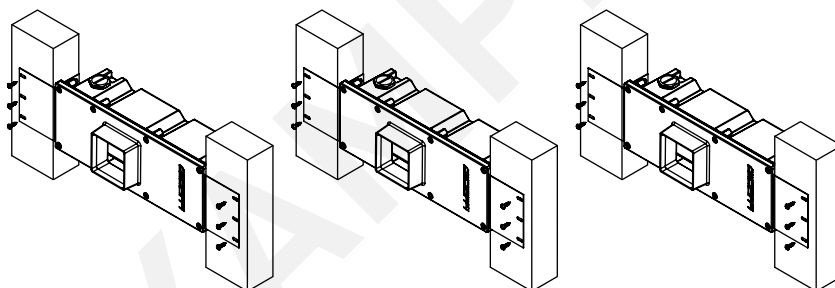
PATHLIGHTS INTERNATIONAL STEALTH AND IMPACT

SPECIFICATION GUIDE - EXAMPLES

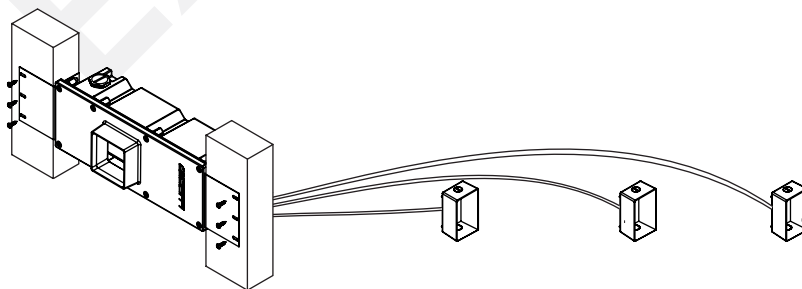
| THREE FITTINGS WITH REMOTE POWER SUPPLY | |
|---|------|
| PART NUMBER | QTY. |
| SSL1-1-AB-90L04B2 | 3 |
| SSL-BB | 3 |
| PSA-24V-60-1AT2 | 1 |



| THREE FITTINGS WITH INTEGRAL POWER SUPPLIES | |
|---|------|
| PART NUMBER | QTY. |
| SSL1-1-AB-90L04B2 | 3 |
| UBB-SL1-24V-60-2AT2-BKT | 3 |



| ONE FITTING WITH INTEGRAL POWER SUPPLY, POWERING THREE REMOTE MOUNTED FITTING | |
|---|------|
| PART NUMBER | QTY. |
| ISL1-1-AB-90L04B2 | 4 |
| UBB-SL1-24V-60-2AT2-BKT | 1 |
| SSL-BB | 3 |



*Quantities given are for the purposes of the examples only, max quantity of fittings per power supply varies.

PATHLIGHTS INTERNATIONAL STEALTH AND IMPACT

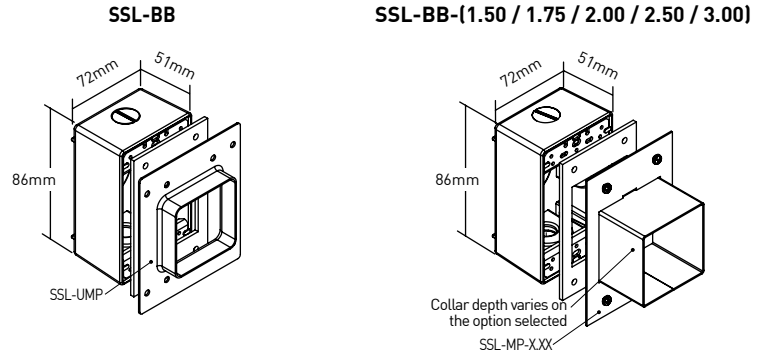
MOUNTING OPTIONS FOR REMOTE POWER SUPPLY - SELECT ONLY ONE PER FITTING

Fitting Qty. _____

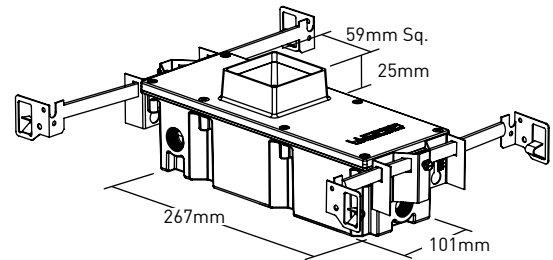
WET, DRY / DAMP OR CONCRETE POUR LOCATION

QTY.

- **SSL-BB** ⓘ
Back Box equipped with SSL-UMP mounting plate and gasket. Typically used in wet and concrete pour applications. Features 1/2" knockouts.
- **SSL-BB-(1.50 / 1.75 / 2.00 / 2.50 / 3.00)** ⓘ
Back Box equipped with SSL-MP-XX mounting plate and gasket; specify preferred depth. Typically used in wet and concrete pour locations. Features 1/2" knockouts.
- **UBB-SL1-FL-LVF-(BKT / HGR)** ⓘ
Universal Back Box, wet location and concrete pour rated. Specified with remote power supply and features secondary output capacity, simplifying wiring practices and reducing budgets. Supplied with mounting hardware, specify "-HGR" or "-BKT". Shown with hanger bars (-HGR). Hanger bars adjust from 14" to 24" for standard joist spacing. Brackets, universal stainless steel mounting flange.



UBB-SL1-FL-LVF-(BKT / HGR)

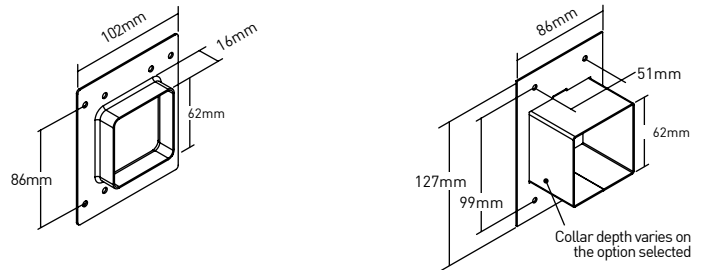


WET OR DRY / DAMP LOCATION

QTY.

- **SSL-UMP** ⓘ
Universal Mounting Plate typically used with two-gang switch box or 4-square junction box for dry / damp locations. May be used with customer-furnished single or two gang weatherproof box and factory supplied gasket for wet and concrete pour locations.
- **SSL-MP-(1.50 / 1.75 / 2.00 / 2.50 / 3.00)** ⓘ
Mounting Plate includes gasket and features an extended collar for single-gang weatherproof box; specify preferred depth. Typically for wet and concrete pour locations.

SSL-UMP SSL-MP-(1.50 / 1.75 / 2.00 / 2.50 / 3.00)



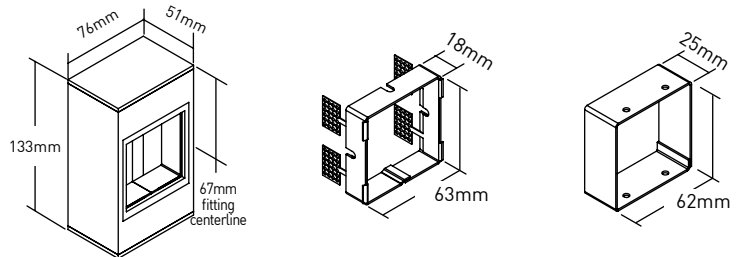
- **SSL-SMB-(finish)**
Surface Mounting Box for interior or exterior applications, providing flush mount of luminaire. Receives secondary wiring through back of box. Powder coat finishes only.

DRY / DAMP LOCATION ONLY

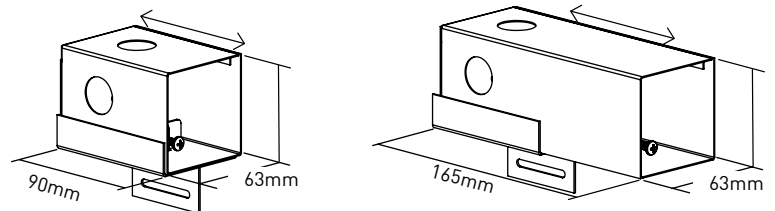
QTY.

- **SSL-RM** ⓘ
Remodel Mount collar for installing fitting into drywall / plasterboard. Requires Class 2 power supply.
- **SSL-CC** ⓘ
Cavity Collar for installing fitting into cavity or bore. Requires Class 2 power supply.
- **SSL-SC3** ⓘ
Stud-mount Collar, adjusts with integral jackscrew from 1/2" to 3" for walls with varying substrate depths (rock, brick and stone). Features 1/2" knockouts for wiring.
- **SSL-SC6** ⓘ
Stud-mount Collar, adjusts with integral jackscrew from 3" to 6" for walls with varying substrate depths (rock, brick and stone). Features 1/2" knockouts for wiring.

SSL-SMB-(finish) SSL-RM SSL-CC



SSL-SC3 SSL-SC6



PATHLIGHTS INTERNATIONAL STEALTH AND IMPACT

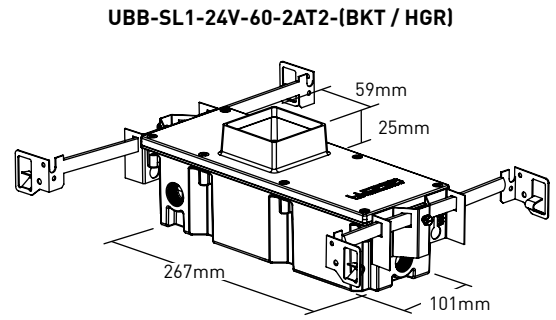
MOUNTING OPTION WITH INTEGRAL POWER SUPPLY - SELECT ONLY ONE PER FITTING

WET, DRY / DAMP LOCATION, OR CONCRETE POUR LOCATION

| | VOLTAGE | POWERSUPPLY | ATTACHMENT |
|---|-----------|---|---------------------------------|
| UBB-SL1-24V-60 | 2 | AT2 | |
| UNIVERSAL BACK BOX 1.00" COLLAR 24 VOLT OUTPUT 60 WATT | 2 220 VAC | AT2 LTF 0-10V Analog and Leading / Trailing edge (Supports 1 - 12 fittings) | HGR Hangar Bars BKT Brackets |

UBB-SL1-24V-60-2AT2-(BKT / HGR)

Universal Back Box, wet location and concrete pour rated. Specified with integral power supply and features secondary output capacity, simplifying wiring practices and reducing budgets. Supplied with mounting hardware, specify "-HGR" or "-BKT". Shown with hanger bars (-HGR). Hanger bars adjust from 14" to 24" for standard joist spacing. Brackets, universal stainless steel mounting flange.



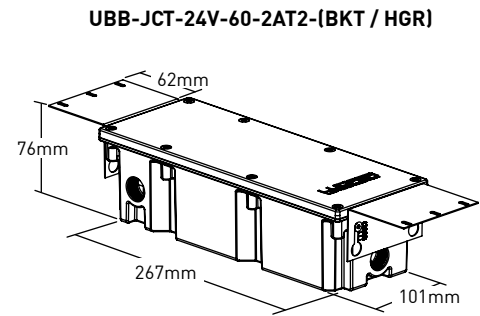
REMOTE POWER SUPPLY OPTIONS

WET, DRY / DAMP LOCATION, OR CONCRETE POUR LOCATION

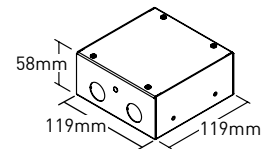
| | VOLTAGE | POWERSUPPLY | ATTACHMENT |
|---|-----------|---|---------------------------------|
| UBB-JCT-24V-60 | 2 | AT2 | |
| JUNCTION BOX 24 VOLT OUTPUT 60 WATT | 2 220 VAC | AT2 LTF 0-10V Analog and Leading / Trailing edge (Supports 1 - 12 fittings) | HGR Hangar Bars BKT Brackets |

UBB-JCT-24V-60-2AT2-(BKT / HGR)

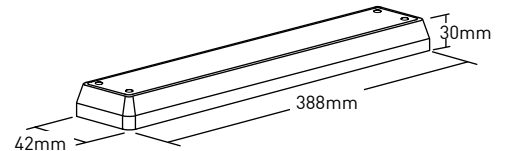
Universal Junction Box, wet location and concrete pour rated. Specified as a remote power supply and features secondary output capacity, simplifying wiring practices and reducing budgets. Supplied with "-HGR" or "-BKT" mounting hardware, shown with Bracket (-BKT). Hanger bars adjust from 14" to 24" for standard joist spacing. Brackets, universal stainless steel mounting flange.



PSA USED FOR AT2



PSA USED FOR EX2 AND ED3



DRY / DAMP LOCATION

| | POWERSUPPLY |
|---|---|
| PSA-24V | |
| POWER SUPPLY ASSEMBLY 24 VOLT OUTPUT | 60-2AT2-INT 60 Watt, 220VAC, LTF 0-10V Analog and Leading / Trailing edge (supports 1 - 12 fittings) 66-UEx2-INT 66 Watt, 120 - 277VAC, eldoLED LINEARdrive, DMX (supports 1 - 18 fittings) 66-UED3-INT 66 Watt, 120 - 277VAC, eldoLED LINEARdrive, DALI (supports 1 - 18 fittings) |

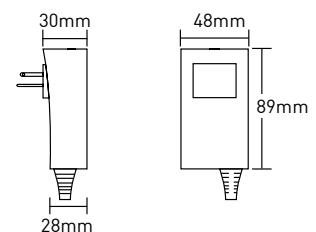
PSA-24V-XX-XXXX-XXX

Hardwire Class 2 power supply, consists of a steel compartment and lid painted black with integral conventional electronic power supply. Wired in either a homerun or parallel method.

FOLLOWING POWER SUPPLY FOR DEMONSTRATION AND SAMPLING PURPOSES ONLY. NOT FOR PERMANENT INSTALLATIONS.

- PSA-24V-25-2EL2-INT** Plug-in 240V Class 2 power supply (Supports 1 fixture)

PSA-24V-25-2EL2-INT



PATHLIGHTS INTERNATIONAL STEALTH AND IMPACT

TECHNICAL

CONSTRUCTION

Stealth: Cast 316 stainless steel or brass, depending on finish.

Mounting Plates and Mounting Collars: Stainless Steel.

Single-gang Weatherproof Box: Aluminum.

Surface Mount Box: Aluminum.

Universal Back Box: Polycarbonate.

LED

Proprietary 2 step MacAdam ellipse LED module available with 80+ and 90+ CRI in color temperatures of 2700K, 3000K, 3500K and 4000K. Average rated lamp life: 50,000 hours.

POWER SUPPLY PERFORMANCE AND DIMMING INFORMATION

| Power Supply | AT2 | EX2 | ED3 |
|--------------|--------|--------|--------|
| Minimum °C | -20 °C | -20 °C | -20 °C |
| Maximum °C | 50 °C | 50 °C | 50 °C |
| Dimming % | 10.0% | 0.1% | 0.1% |

RECOMMENDED SPACING

Optimum 18" [457mm] above walking surface; 36" [914mm] on-center spacing.

ELECTRICAL

Luminaire requires factory-supplied 24-Volt DC power supply. May be integral to back box or remote. Secondary run lengths vary depending on power supply specified, see installation guidelines for run lengths.

LISTING

cTUVus Listed; Dark-Sky Compliant; Patent No. US D610,734 S; Dry / Damp (IP54 rated) and Wet (IP65 rated) location.

WARRANTY

Manufacturer's 1-year warranty guarantees product(s) listed to be free from defects in material and workmanship under normal use and service. 5-year warranty on LED and power supply to operate with 70% of the original flux and remain within a range of 3 duv. Warranty period begins from the date of shipment by Seller. Consult website for full warranty terms and conditions.

CHANGE LOG

1.06/12/2023: ADDED 90 CRI WATTAGE PACKAGE