

# PATHLIGHTS

PROJECT NAME:	TYPE:
---------------	-------

## STEALTH AND IMPACT®



Low glare path lights lead the way through the out of doors, as built-ins or from freestanding bollards.

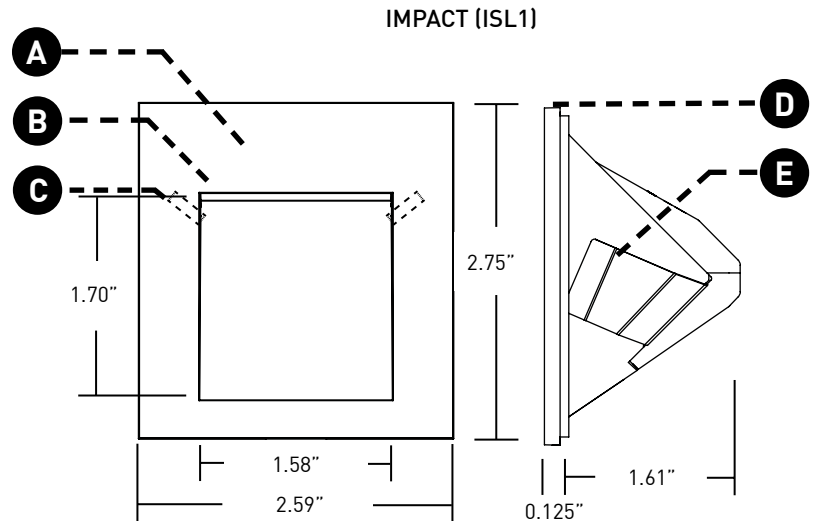
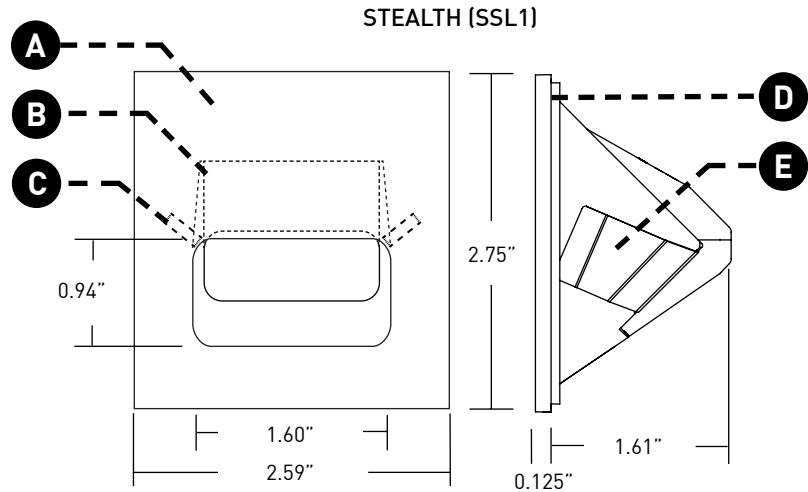
### ORDERING INFORMATION AND DRAWINGS - FIXTURE

Quick Ship Product. All rough in components ship within 10 days up to quantities of 100.

FIXTURE	RATING	FLANGE FINISH			CRI / WATTAGE PACKAGE	CCT
SSL1 Stealth Steplight ISL1 Impact Steplight	1 Dry / Damp (Non-Locking) 2 Wet (Locking)	<b>POWDER COAT FINISH</b> WH White BK Black AG Satin Silver AB Architectural Bronze CF Custom Finish* *(Consult Factory)	<b>NATURAL FINISH</b> IG Industrial Gray SS Brushed Stainless Steel BR Brushed Bronze NB Natural Bronze	<b>PLATED FINISH</b> CH Chrome* *(Increased lead time) PB Polished Oil-Rubbed Bronze* *(Increased lead time, not available for wet location) MB Matte Oil-Rubbed Bronze* *(Increased lead time, not available for wet location)	<b>STEALTH &amp; IMPACT</b> 90L04B 90+ CRI, 4.2 Watts SSL1 Delivered Lumens - 89 ISL1 Delivered Lumens - 134	27 2700K 30 3000K 35 3500K 40 4000K CC Custom Color (gel)* Color Temp: _____K *(Custom gels assigned unique suffix upon receipt of order. Contact Product Support for guidance.)

- A LED**  
Regressed DC LED with slot aperture for glare-free, energy-efficient path and step lighting; suitable for dry / damp or wet applications. Dimming by power supply.
- B MEDIA**  
Provided with sealed polycarbonate linear diffusion lens; consult factory for availability of color gels, which may achieve custom color temperatures.
- C LOCKING**  
Discreetly hidden tamper-resistant set screws. Included with IP65 Wet location luminaire.
- D GASKET**  
Foam gasket provided. Required for IP65 wet location applications only.
- E RETENTION**  
Torsion spring clips secure fixture into back box, mounting plate, or appropriately sized cut-out.

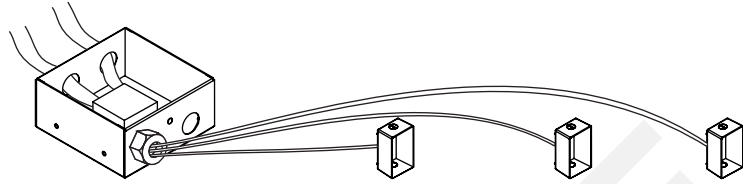
- Available with Bollard mounting, please visit [WEBSITE](#) for additional information.
- Double Impact ISL2 pathlight available, please visit [WEBSITE](#) for additional information.



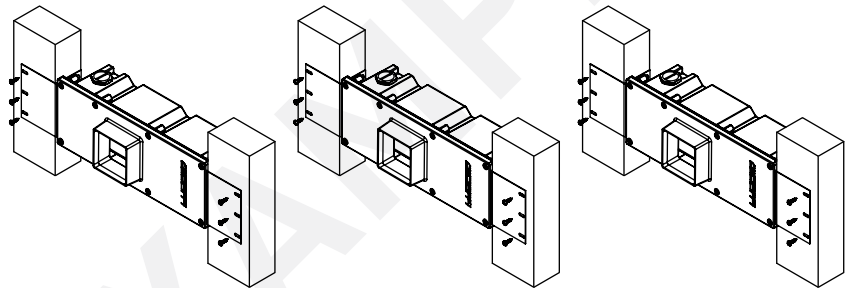
# PATHLIGHTS STEALTH AND IMPACT

## SPECIFICATION GUIDE - EXAMPLES

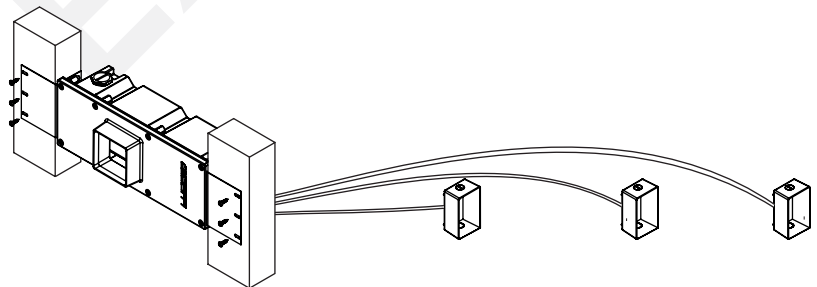
THREE FIXTURES WITH REMOTE POWER SUPPLY	
PART NUMBER	QTY.
SSL1-1-AB-90L04B2	3
SSL-BB	3
PSA-24V-60-XXXX	1



THREE FIXTURES WITH INTEGRAL POWER SUPPLIES	
PART NUMBER	QTY.
SSL1-1-AB-90L04B2	3
UBB-SL1-24V-60-XXXX-BKT	3



ONE FIXTURE WITH INTEGRAL POWER SUPPLY, POWERING THREE REMOTE MOUNTED FIXTURES	
PART NUMBER	QTY.
ISL1-1-AB-90L04B2	4
UBB-SL1-24V-60-XXXX-BKT	1
SSL-BB	3



\*Quantities given are for the purposes of the examples only, max quantity of fixtures per power supply varies.

# PATHLIGHTS STEALTH AND IMPACT

## MOUNTING OPTIONS FOR REMOTE POWER SUPPLY - SELECT ONLY ONE PER FIXTURE

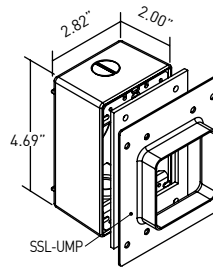
Fixture Qty. \_\_\_\_\_

### WET, DRY / DAMP OR CONCRETE POUR LOCATION

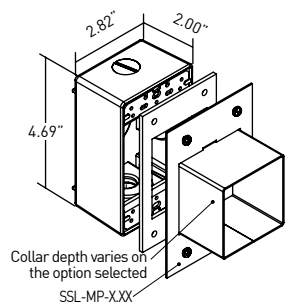
#### QTY.

- **SSL-BB** ⓘ  
Back Box equipped with SSL-UMP mounting plate and gasket. Typically used in wet and concrete pour applications. Features 1/2" knockouts.
- **SSL-BB-(1.50 / 1.75 / 2.00 / 2.50 / 3.00)** ⓘ  
Back Box equipped with SSL-MP-XX mounting plate and gasket; specify preferred depth. Typically used in wet and concrete pour locations. Features 1/2" knockouts.
- **UBB-SL1-FL-LVF-(BKT / HGR)** ⓘ  
Universal Back Box, wet location and concrete pour rated. Specified with remote power supply and features secondary output capacity, simplifying wiring practices and reducing budgets. Supplied with mounting hardware, specify "-HGR" or "-BKT". Shown with hanger bars (-HGR). Hanger bars adjust from 14" to 24" for standard joist spacing. Brackets, universal stainless steel mounting flange.

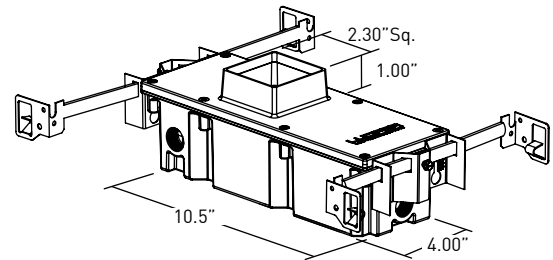
SSL-BB



SSL-BB-(1.50 / 1.75 / 2.00 / 2.50 / 3.00)



UBB-SL1-FL-LVF-(BKT / HGR)

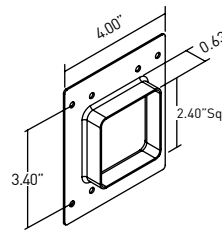


### WET OR DRY / DAMP LOCATION

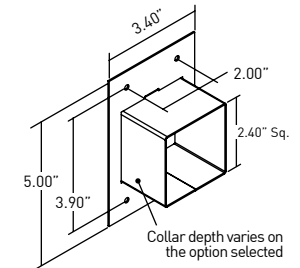
#### QTY.

- **SSL-UMP** ⓘ  
Universal Mounting Plate typically used with two-gang switch box or 4-square junction box for dry / damp locations. May be used with customer-furnished single or two gang weatherproof box and factory supplied gasket for wet and concrete pour locations.
- **SSL-MP-(1.50 / 1.75 / 2.00 / 2.50 / 3.00)** ⓘ  
Mounting Plate includes gasket and features an extended collar for single-gang weatherproof box; specify preferred depth. Typically for wet and concrete pour locations.

SSL-UMP

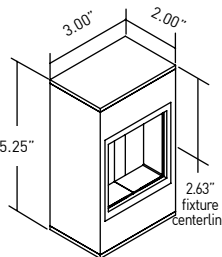


SSL-MP-(1.50 / 1.75 / 2.00 / 2.50 / 3.00)

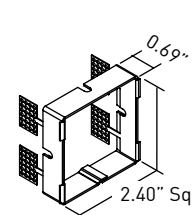


- **SSL-SMB-(finish)**  
Surface Mounting Box for interior or exterior applications, providing flush mount of luminaire. Receives secondary wiring through back of box. Powder coat finishes only.

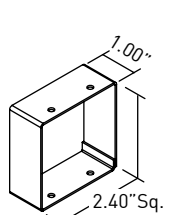
SSL-SMB-(finish)



SSL-RM



SSL-CC

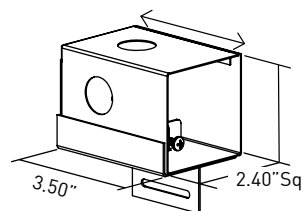


### DRY / DAMP LOCATION ONLY

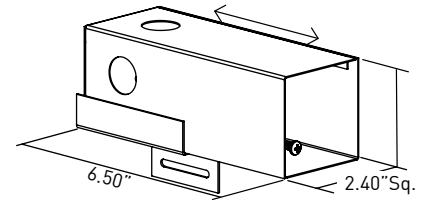
#### QTY.

- **SSL-RM** ⓘ  
Remodel Mount collar for installing fixture into drywall / plasterboard. Requires Class 2 power supply.
- **SSL-CC** ⓘ  
Cavity Collar for installing fixture into cavity or bore. Requires Class 2 power supply.
- **SSL-SC3** ⓘ  
Stud-mount Collar, adjusts with integral jackscrew from 1/2" to 3" for walls with varying substrate depths (rock, brick and stone). Features 1/2" knockouts for wiring.
- **SSL-SC6** ⓘ  
Stud-mount Collar, adjusts with integral jackscrew from 3" to 6" for walls with varying substrate depths (rock, brick and stone). Features 1/2" knockouts for wiring.

SSL-SC3



SSL-SC6



# PATHLIGHTS STEALTH AND IMPACT

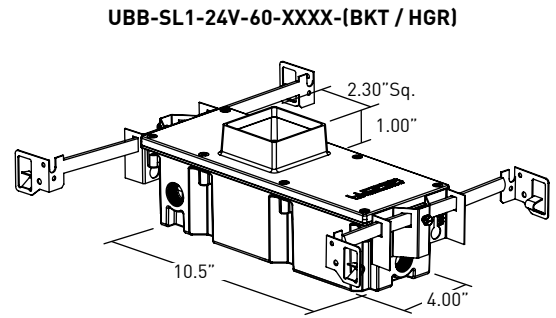
## MOUNTING OPTION WITH INTEGRAL POWER SUPPLY - SELECT ONLY ONE PER FIXTURE

### WET, DRY / DAMP LOCATION, OR CONCRETE POUR LOCATION

	VOLTAGE	POWERSUPPLY	ATTACHMENT
<b>UBB-SL1-24V-60</b>			
UNIVERSAL BACK BOX 1.00" COLLAR 24 VOLT OUTPUT 60 WATT	1 120 VAC 3 277 VAC	PH1 LTF ELV / Reverse Phase (Supports 1 - 12 fixtures) <b>*120 VAC ONLY</b>  AT2 LTF 0-10V Analog (Supports 1 - 12 fixtures)	HGR Hangar Bars BKT Brackets

### UBB-SL1-24V-60-XAT2-(BKT / HGR)

Universal Back Box, wet location and concrete pour rated. Specified with integral power supply and features secondary output capacity, simplifying wiring practices and reducing budgets. Supplied with mounting hardware, specify "-HGR" or "-BKT". Shown with hanger bars (-HGR). Hanger bars adjust from 14" to 24" for standard joist spacing. Brackets, universal stainless steel mounting flange.



## REMOTE POWER SUPPLY OPTIONS

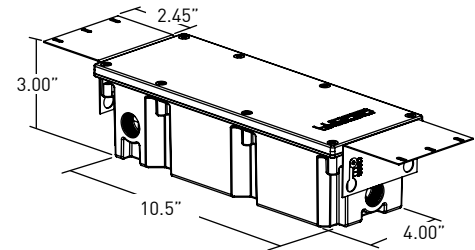
### WET, DRY / DAMP LOCATION, OR CONCRETE POUR LOCATION

	VOLTAGE	POWERSUPPLY	ATTACHMENT
<b>UBB-JCT-24V-60</b>			
JUNCTION BOX 24 VOLT OUTPUT 60 WATT	1 120 VAC 3 277 VAC	PH1 LTF ELV / Reverse Phase (Supports 1 - 12 fixtures) <b>*120 VAC ONLY</b>  AT2 LTF 0-10V Analog (Supports 1 - 12 fixtures)	HGR Hangar Bars BKT Brackets

### UBB-JCT-24V-60-XXXX-(BKT / HGR)

Universal Junction Box, wet location and concrete pour rated. Specified as a remote power supply and features secondary output capacity, simplifying wiring practices and reducing budgets. Supplied with "-HGR" or "-BKT" mounting hardware, shown with Bracket (-BKT). Hanger bars adjust from 14" to 24" for standard joist spacing. Brackets, universal stainless steel mounting flange.

### UBB-JCT-24V-60-XXXX-(BKT / HGR)



### DRY / DAMP LOCATION

	POWERSUPPLY
<b>PSA-24V</b>	
POWER SUPPLY ASSEMBLY 24 VOLT OUTPUT	60-1PH1 60 Watt, 120VAC, LTF ELV / Reverse Phase (supports 1 - 12 fixtures) 60-1AT2 60 Watt, 120VAC, LTF 0-10V Analog (supports 1 - 12 fixtures) 60-3AT2 60 Watt, 277VAC, LTF 0-10V Analog (supports 1 - 12 fixtures) 66-UEx2 66 Watt, 120 - 277VAC, eldoLED LINEARdrive, DMX (supports 1 - 18 fixtures) 66-UED3 66 Watt, 120 - 277VAC, eldoLED LINEARdrive, DALI (supports 1 - 18 fixtures) 96-ULP1 96 Watt, 120 - 277VAC, Hi-lume Premier, EcoSystem / 3-wire (supports 1 - 26 fixtures)

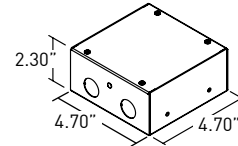
### PSA-24V-XX-XXXX

Hardwire Class 2 power supply, consists of a steel compartment and lid painted black with integral conventional electronic power supply. Wired in either a homerun or parallel method.

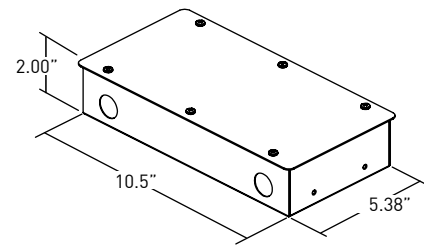
### FOLLOWING POWER SUPPLY FOR DEMONSTRATION AND SAMPLING PURPOSES ONLY. NOT FOR PERMANENT INSTALLATIONS.

- PSA-24V-25-1EL2** Plug-in 120V Class 2 power supply (Supports 1 fixture)

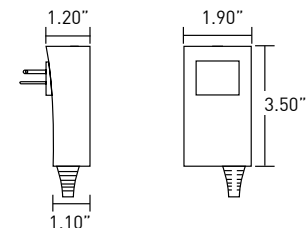
### PSA USED FOR PH1 & AT2



### PSA USED FOR EX2, ED3 & LP1



### PSA-24V-25-1EL2



# PATHLIGHTS STEALTH AND IMPACT

## TECHNICAL

### CONSTRUCTION

Stealth: Cast 316 stainless steel or brass, depending on finish.

Mounting Plates and Mounting Collars: Stainless Steel.

Single-gang Weatherproof Box: Aluminum.

Surface Mount Box: Aluminum.

Universal Back Box: Polycarbonate.

### LED

Proprietary 2 step MacAdam ellipse LED module available with 90+ CRI in color temperatures of 2700K, 3000K, 3500K and 4000K. Average rated lamp life: 50,000 hours.

### POWER SUPPLY PERFORMANCE AND DIMMING INFORMATION

Power Supply	PH1	AT2	LP1	EX2	ED3
Minimum °C	-20 °C	-20 °C	0 °C	-20 °C	-20 °C
Maximum °C	50 °C	50 °C	40 °C	50 °C	50 °C
Dimming %	10.0%	5.0%	0.1%	0%	0%

Note: For LP1 driver consult chart on page 5 to confirm appropriate dimming curve for compatibility with selected control.

### RECOMMENDED SPACING

Optimum 18" (457mm) above walking surface; 36" (914mm) on-center spacing.

### ELECTRICAL

**Luminaire requires factory-supplied 24-Volt DC power supply.**

May be integral to back box or remote. Secondary run lengths vary depending on power supply specified.

DRIVER	WIRE AWG				
	12	14	16	18	20
AT2, PH1	75'	60'	50'	40'	-
LP1	60'	40'	25'	15'	-
EX2, ED3	-	-	118'	72'	45'

### LISTING

cTUVus Listed; Dark-Sky Compliant; Patent No. US D610,734 S; Dry / Damp (IP54 rated) and Wet (IP65 rated) location. NEMA 410 compliant.

### WARRANTY

Manufacturer's 1-year warranty guarantees product(s) listed to be free from defects in material and workmanship under normal use and service. 5-year warranty on LED and power supply to operate with 70% of the original flux and remain within a range of 3 duv. Warranty period begins from the date of shipment by Seller. Consult website for full warranty terms and conditions.

### CHANGE LOG

- 6/12/2023: ADDED 90 CRI WATTAGE PACKAGE.
- 6/27/2024: DISCONTINUED L22 DRIVER OFFERING.



# PATHLIGHTS STEALTH AND IMPACT

## LUTRON DIMMING COMPATIBILITY

Power supply LP1 Product Family	120V Part No.	277V Part No.	Drivers per Control	
			120V	277V
NovaT®	NTF-10-	NTF-10-277-	1 - 16	1-19
	NTF-103P-	NTF-103P-277-	1-8	1-14
Nova®	NF-10-	NF-10-277-	1-8	1-19
	NF-103P-	NF-103P-277-	1-8	1-14
Skylark®	SF-10P-	SF-12P-277-	1-8	1-14
	SF-103P-	SF-12P-277-3	1-8	1-14
Diva®	DVF-103P-	DVF-103P-277-	1-8	1-14
	DVSCF-103P-	DVSCF-103P-277-	1-8	1-14
Ariadni®	AYF-103P-	AYF-103P-277-	1-6	1-14
Maestro®	MAF-6AM-	MAF-6AM-277-	1-6	1-14
	MSCF-6AM-	MSCF-6AM-277-	1-6	1-14
Maestro Wireless®	MRF2-F6AN-DV-		1-6	1-14
RadioRA® 2	RRD-F6AN-DV-		1-6	1-14
HomeWorks® QS	HQRD-F6AN-DV		1-6	1-14
Interfaces	PHPM-3F-120	-	1-16	-
	PHPM-3F-DV		1-16	1-38
	BCI-0-10		1-16	1-38
GP Dimming Panels	Various		1-16	1-38
PowPak™ with EcoSystem	RMJ-ECO32-DV-B		32 per EcoSystem link	
	URMJ-ECO32-DVB		32 per EcoSystem link	
	FCJ-ECO		3 per EcoSystem link	
Energi Savr Node™ with EcoSystem	QSN-1ECO-S, QSN-2ECO-S, QSN-2ECO-PS120, UQSN-1ECO-S, UQSN-2ECO-S		64 per EcoSystem link	
GRAFIK Eye® QS with EcoSystem	QSGRJ-_E QSGR-_E	-	64 per EcoSystem link	
HomeWorks® QS with EcoSystem	LQSE-2ECO-D, QSGRJ-_E, QSGR-_E		64 per EcoSystem link	
Quantum®	QP2-_P_C		64 per EcoSystem link	

