

TRACK HEAD INT STANDARD STEM CT2 ADJUSTABLE

Highlight art, objects, places, spaces, seating areas, and architectural details with a classic profile that offers easy-to-adjust, in-field versatility.

| | |
|---------------|-------|
| PROJECT NAME: | TYPE: |
|---------------|-------|



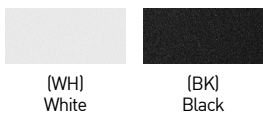
ORDERING INFORMATION - TRACK HEAD

| CYLINDER | FIXTURE | RATING | BODY FINISH | BAFFLE FINISH | ADAPTER FINISH | CRI / WATTAGE PACKAGE | OCT | OPTIC (UGR) | DRIVER | MEDIA |
|-----------|---|------------|---|--|------------------------------------|--|---|--|--|--|
| CT2 | | 1 | | | | | | | IE2 | |
| CT2 3.25" | AD Adjustable 90° Tilt WM Locking Track Adaptor, Adjustable 90° Tilt* <small>*(Required for Wall Mount)</small> | 1 Dry/Damp | POWDERCOAT WH White BK Black ALUMINA 01 Brushed Obsidian 02 Matte Obsidian 03 Brushed Dark Patinated Bronze 04 Matte Dark Patinated Bronze 05 Brushed Aged Aluminum 06 Matte Aged Aluminum 07 Brushed Cast Brass 08 Matte Cast Brass 09 Brushed Light Patinated Bronze 10 Matte Light Patinated Bronze | POWDERCOAT WH White BK Black ALUMINA <small>CONSULT FACTORY FOR ALUMINA FINISHES</small> | WH White BK Black | STATIC WHITE 80S11A 80+ CRI, 11 Watts Delivered Lumens - 1216 80S17A 80+ CRI, 17 Watts Delivered Lumens - 1843 90S11A 90+ CRI, 11 Watts Delivered Lumens - 1045 90S17A 90+ CRI, 17 Watts Delivered Lumens - 1583 97S11A 97+ CRI, 11 Watts Delivered Lumens - 918 97S17A 97+ CRI, 17 Watts Delivered Lumens - 1390 WARM DIM 90W18A 90+ CRI, 18 Watts Incandescent Profile Delivered Lumens - 1140 Standard Profile Delivered Lumens - 1128 <small>SEE PAGE 2 FOR WARM DIM PROFILE COMPARISON.</small> | 24 2400K* <small>* (90+ CRI only)</small> 27 2700K 30 3000K 35 3500K 40 4000K | 10 10° (<19) 15 15° (<13) 20 20° (<10) 25 25° (<10) 40 40° (<10) 60 60° (<16) | IE2 Electronic 2% ELV / TRIAC 220V-240V | STANDARD MEDIA 4 Soft Focus Lens* <small>*(Required for 10° optic)</small> ALTERNATE MEDIA 2 Honeycomb Louver* <small>*(Not available for Warm Dim)</small> 3 Clear Glass Lens* <small>*(Not available for Warm Dim)</small> 5 Frosted Glass Lens 6 Frosted Soft Focus Lens 7 Frosted Linear Spread Lens 5 Soft Focus Lens w/ Honeycomb Louver F Frosted Glass Lens w/ Honeycomb Louver N No Lens* <small>*(Not available for Warm Dim)</small> |

PART NUMBER NOTES

- CT2 ships as e.g., CT2-AD-1-09BK-90S11A2-3-IE2-4B

POWDERCOAT FINISHES



ALUMINA FINISHES BY LUCIFER LIGHTING™



TRACK HEAD INT STANDARD STEM CT2 ADJUSTABLE

ALTERNATE MEDIA

- HCL-CT2** Honeycomb Louver*
*(Not available for Warm Dim)
- CGL-CT2** Clear Glass Lens*
*(Not available for Warm Dim)
- SFL-CT2** Soft Focus Lens
- FGL-CT2** Frosted Glass Lens
- FSFL-CT2** Frosted Soft Focus Lens
- FLSL-CT2** Frosted Linear Spread Lens

SECOND MEDIA GASKET

Replaces standard gasket when installing second media. Not required if two media are specified with fixture.

- 2EDG-CT2** Two Media Gasket

REPLACEMENT OPTICS

Interchangeable optics accessible by removing baffle.

Static White

- RO-70-15-S** 15° optic
- RO-70-20-S** 20° optic
- RO-70-25-S** 25° optic
- RO-70-40-S** 40° optic
- RO-70-60-S** 60° optic

Warm Dim

- RO-70-20-W** 20° optic
- RO-70-25-W** 25° optic
- RO-70-40-W** 40° optic
- RO-70-60-W** 60° optic

STATIC WHITE PERFORMANCE - 3000K

| LUMEN PACKAGE | WATTAGE | 10° OPTIC SOFT FOCUS LENS | | 15° OPTIC SOFT FOCUS LENS | | 20° OPTIC SOFT FOCUS LENS | | 25° OPTIC SOFT FOCUS LENS | | 40° OPTIC SOFT FOCUS LENS | | 60° OPTIC SOFT FOCUS LENS | |
|-----------------------|---------|---------------------------|-----|---------------------------|-----|---------------------------|-----|---------------------------|-----|---------------------------|-----|---------------------------|-----|
| | | DELIVERED | LPW | DELIVERED | LPW | DELIVERED | LPW | DELIVERED | LPW | DELIVERED | LPW | DELIVERED | LPW |
| 80S11A | 11 | 613 | 55 | 1143 | 104 | 1216 | 111 | 1202 | 109 | 1124 | 102 | 949 | 86 |
| 80S17A | 17 | 828 | 49 | 1750 | 103 | 1843 | 108 | 1823 | 107 | 1690 | 99 | 1440 | 85 |
| 90S11A | 11 | 528 | 48 | 982 | 89 | 1045 | 95 | 1033 | 94 | 966 | 88 | 815 | 74 |
| 90S17A | 17 | 714 | 42 | 1503 | 88 | 1583 | 91 | 1566 | 92 | 1452 | 85 | 1237 | 73 |
| 97S11A | 11 | 456 | 41 | 862 | 78 | 918 | 83 | 907 | 82 | 848 | 77 | 716 | 65 |
| 97S17A | 17 | 616 | 36 | 1320 | 78 | 1390 | 82 | 1375 | 81 | 1275 | 75 | 1086 | 64 |
| 90W18AL (2700K-1800K) | 18 | - | - | - | - | 1140 | 63 | 1128 | 63 | 1044 | 58 | 915 | 51 |
| 90W18AD (3000K-1800K) | 18 | - | - | - | - | 1128 | 63 | 1126 | 63 | 1063 | 59 | 926 | 51 |

MEDIA LIGHT LOSS MULTIPLIER

| MEDIA | LIGHT LOSS FACTOR |
|------------|-------------------|
| No Lens | 1.05 |
| CGL | 0.97 |
| SFL | 1.00 |
| FGL | 0.85 |
| FSFL | 0.82 |
| FLSL | 0.78 |
| WDL | 0.00 |
| HCL | 0.75 |
| SFL W/ HCL | 0.68 |
| FGL W/ HCL | 0.47 |

OUTPUT MULTIPLIER

| CCT | CCT SCALE |
|-------|-----------|
| 2400K | 0.85 |
| 2700K | 0.97 |
| 3000K | 1.000 |
| 3500K | 1.03 |
| 4000K | 1.08 |

UNIFIED GLARE RATING

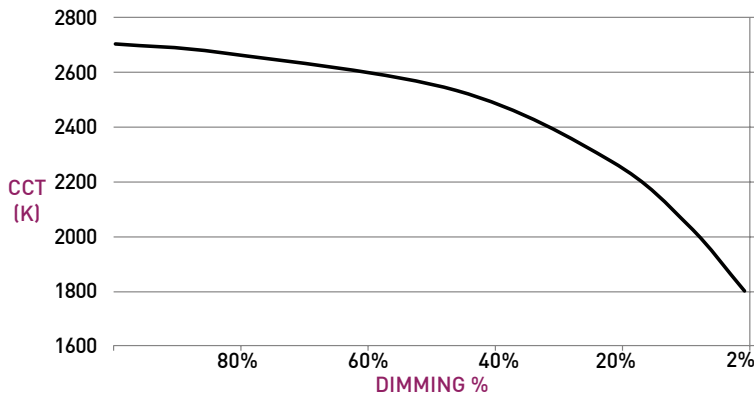
| 10° OPTIC SOFT FOCUS LENS | 15° OPTIC SOFT FOCUS LENS | 20° OPTIC SOFT FOCUS LENS | 25° OPTIC SOFT FOCUS LENS | 40° OPTIC SOFT FOCUS LENS | 60° OPTIC SOFT FOCUS LENS |
|---------------------------|---------------------------|---------------------------|---------------------------|---------------------------|---------------------------|
| >19 | <13 | <10 | <10 | <10 | <16 |

Part L 75+ LPW configurations comply with residential Part L
95+ LPW configurations comply with commercial Part L

WARM DIM PERFORMANCE - SOFT FOCUS LENS - 20° OPTIC

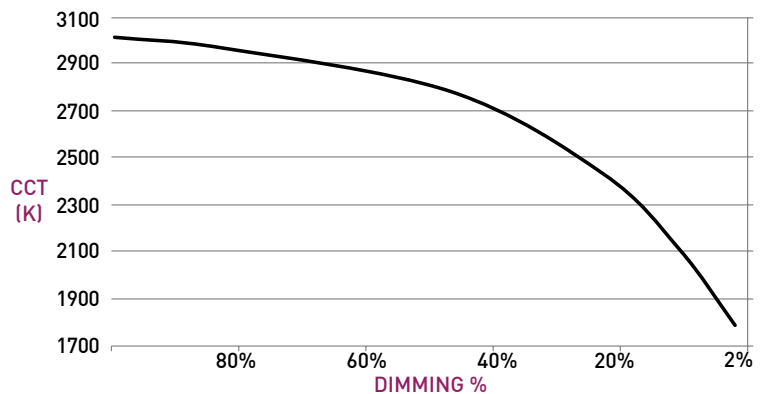
INCANDESCENT DIMMING PROFILE

| 90W18AL 2700K - 1800K | Full on 100% | Dimmed to 80% | Dimmed to 70% | Dimmed to 50% | Dimmed to 20% | Dimmed to 10% | Dimmed to 2% |
|-----------------------|--------------|---------------|---------------|---------------|---------------|---------------|--------------|
| CCT (K) | 2700 | 2650 | 2620 | 2520 | 2180 | 1950 | 1800 |
| Light Output (Lm) | 1128 | 902 | 790 | 564 | 226 | 113 | 23 |
| Power (W) | 18 | 14.4 | 12.6 | 9 | 3.6 | 1.8 | 0.36 |
| Efficacy (LPW) | 63 | 63 | 63 | 63 | 63 | 63 | 63 |



HALOGEN WARM DIM PROFILE

| 90W18AD 3000K - 1800K | Full on 100% | Dimmed to 80% | Dimmed to 70% | Dimmed to 50% | Dimmed to 20% | Dimmed to 10% | Dimmed to 2% |
|-----------------------|--------------|---------------|---------------|---------------|---------------|---------------|--------------|
| CCT (K) | 3000 | 2950 | 2920 | 2775 | 2375 | 2000 | 1800 |
| Light Output (Lm) | 1140 | 912 | 798 | 570 | 228 | 114 | 23 |
| Power (W) | 18 | 14.4 | 12.6 | 9 | 3.6 | 1.8 | 0.36 |
| Efficacy (LPW) | 62 | 62 | 62 | 62 | 62 | 62 | 62 |

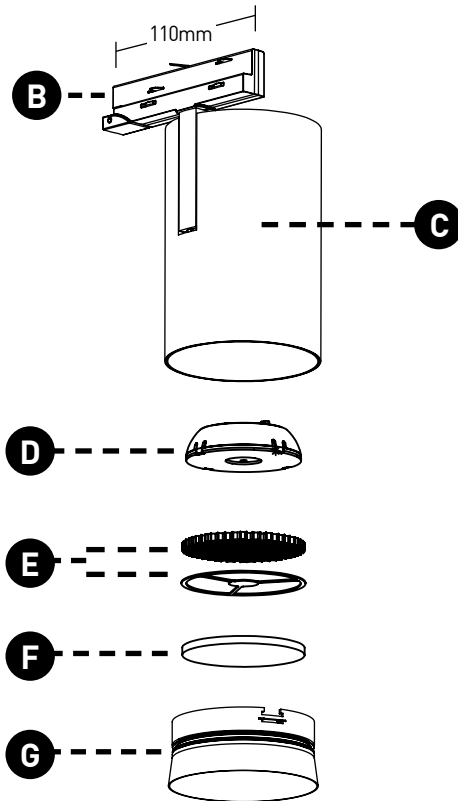
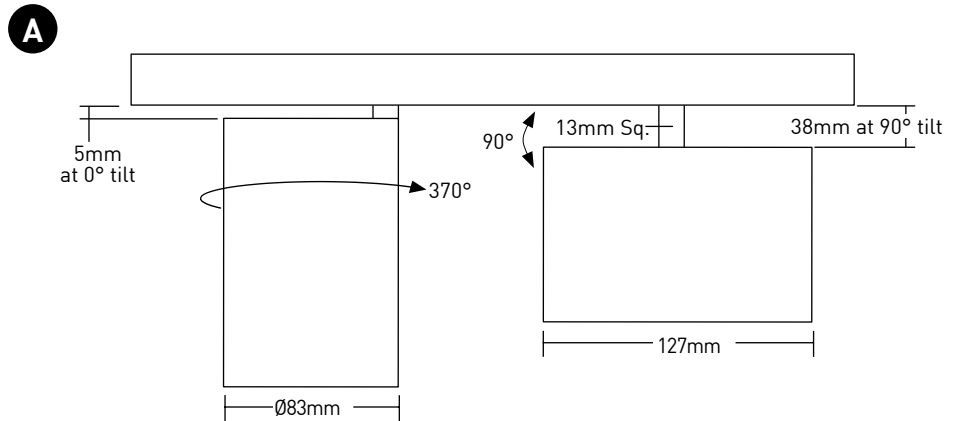


TRACK HEAD INT STANDARD STEM CT2 ADJUSTABLE

TRACK HEAD

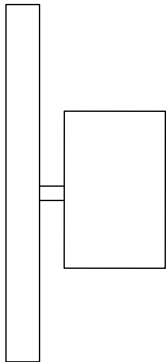
- A ADJUSTABILITY**
Up to 90° tilt and 370° rotation.
- B TRACK ADAPTER**
Proprietary asymmetric track adapter; compatible with Lucifer Lighting track only. Available in Black and White finishes to match track systems.
- C BODY**
Power supply integrated into fixture body. Features integral stem. Available in powdercoat and Alumina finishes.
- D OPTICS**
Robust light engine with optimized optic pairing integrates Reflection, Refraction, and TIR offering 10°, 15°, 20°, 25°, 40° & 60° beams.
- E 10° FIELD REDUCER**
Provided with 10° optic, includes honeycomb louver. Reduces field angle by 30%.
- F MEDIA**
Soft Focus Lens standard. Wet location media sealed in place.
- G BAFFLE**
Accepts 2 media devices. Baffle minimizes aperture glare and conceals view into fixture. Powdercoat finishes standard, consult factory for Alumina finishes.

DIMENSIONS / DRAWINGS



WALL MOUNT

- CT2 may be installed in vertical track or wall mounted. Must specify fixture as Wall Mount "WM".



TRACK HEAD INT STANDARD STEM CT2 ADJUSTABLE

TECHNICAL

CONSTRUCTION

Track Head: Machined aluminum body; painted finishes are granulated powder coat.

STATIC WHITE LED

2-step MacAdam ellipse LED module available in 80+, 90+ and 97+ CRI configurations in color temperatures of 2700K, 3000K, 3500K and 4000K. 3-step MacAdam ellipse LED module available in 90+ CRI configuration in color temperature of 2400K. Average rated lamp life of 50,000 hours.

WARM DIM LED

3-step MacAdam ellipse warm dim LED module available in 90+ CRI configuration. 3000K or 2700K at full brightness, warming to 1800K at full dim. Average rated lamp life of 50,000 hours.

POWER SUPPLY PERFORMANCE AND DIMMING INFORMATION

| Power Supply | IE2 |
|--------------|--------|
| Minimum °C | -20 °C |
| Maximum °C | 40 °C |
| Dimming % | 2.0% |

MOUNTING

Cylinder track head mounts to recessed or surface mount track assemblies, specified separately.

LISTING

Track heads and drivers CE Listed for dry locations. Drivers ENEC and CB Listed.

PART L

Part L compliant for all 75+ LPW residential and 95+ LPW commercial configurations.

WARRANTY

Manufacturer's 1-year warranty guarantees product(s) listed to be free from defects in material and workmanship under normal use and service. 5-year warranty on LED and power supply to operate with 70% of the original flux and remain within a range of 3 duv. Warranty period begins from the date of shipment by Seller. [Consult website for full warranty terms and conditions.](#)

CHANGE LOG

- 05/12/2023: ADDED LBC RED LIST APPROVED.
- 08/08/2023: ADDED NEW LED AND OPTIC SYSTEM.
- 02/08/2024: ADDED 2400K OFFERING.
- 02/15/2024: PART L COMPLIANCE ADDED.
- 03/18/2024: UPDATED 10 DEGREE NARROW BEAM TO UTILIZE FIELD REDUCER.
- 09/19/2024: UPDATED WITH NEW BAFFLE DESIGN.