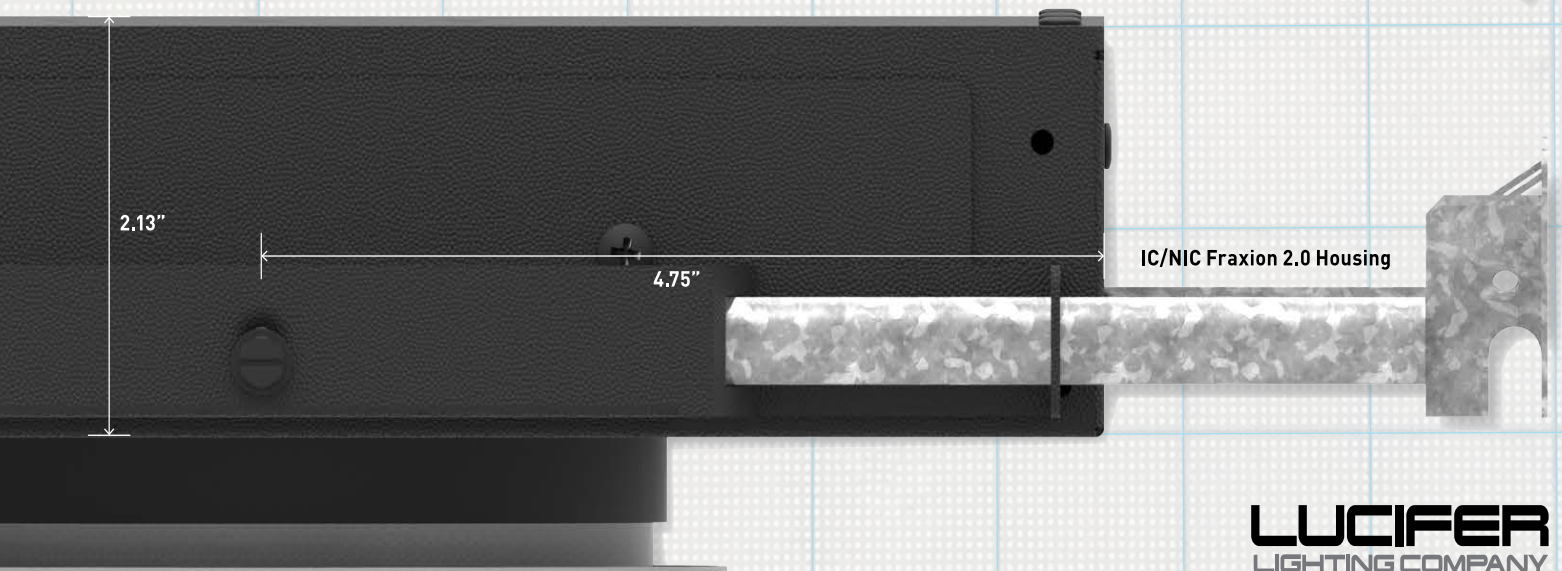
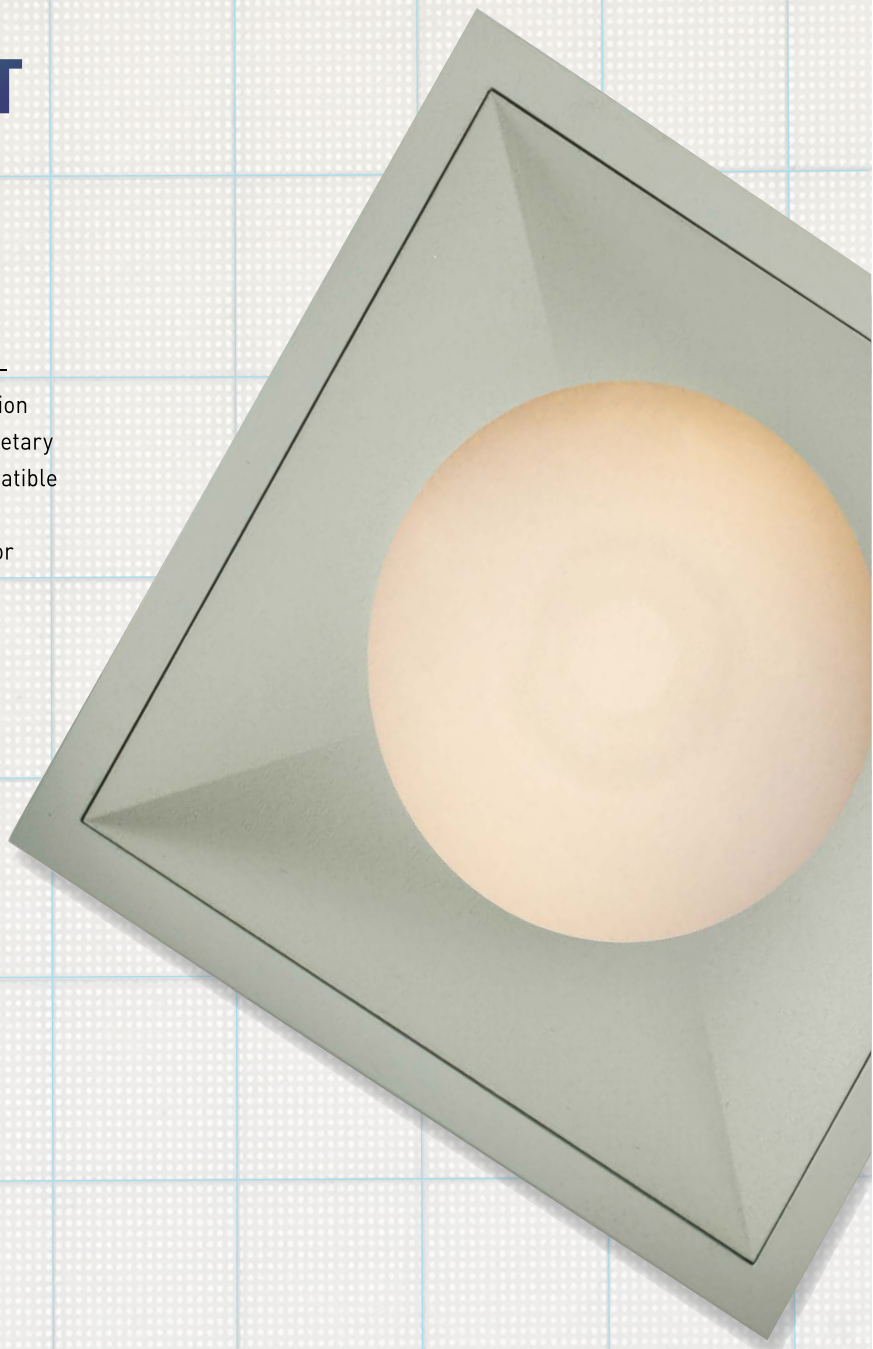
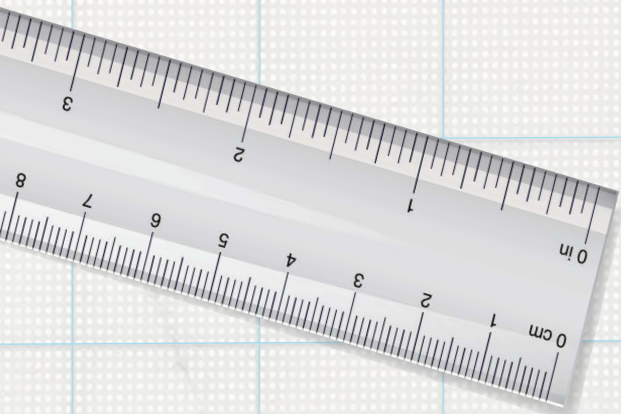


FRAXION 2.0

# THE MOST BRILLIANT THINGS COME IN SMALL PACKAGES.

Introducing Fraxion 2.0™, the shallowest family of LED fixed downlights, adjustable accents and wallwashers on the market—with all the options you expect from Lucifer Lighting. This precision engineered fixture offers highly flexible, field-changeable proprietary optics—from 15° to 85°—delivers up to 2600 lumens and is compatible with all driver types for a variety of dimming alternatives. Sleek, industrial design provides trimless and flange-overlay options for both IC and NIC ceilings to integrate seamlessly in architecture. Fraxion 2.0: a class of its own. PATENT PENDING.

[luciferlighting.com](http://luciferlighting.com)



**LUCIFER**  
LIGHTING COMPANY