

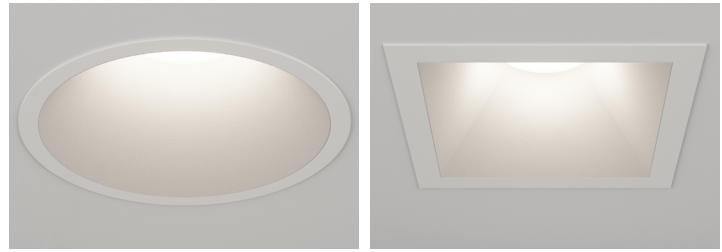
FRAXION®4

INTERNATIONAL

DEEP REGRESS

- Max output of 2175lm at 80+ CRI
- Deep regress baffle options in round and square featuring UGR as low as 10.1
- Now available for concrete pour applications

PROJECT NAME:	TYPE:
---------------	-------



ORDERING INFORMATION - FIXTURE

SHAPE	RATING	TYPE	FINISH	BAFFLE FINISH	CRI	WATTAGE	CCT	OPTIC (UGR)	MEDIA	INSTALL TYPE	CEILING THICKNESS	DRIVER
F4RD Round Deep Regress	1 IP20 Dry/Damp	A Adjustable	POWDERCOAT MICROFLANGE	POWDERCOAT	STATIC WHITE	24 2400K* *190+ CRI only, 15W max)	24 2400K* *190+ CRI only, 15W max)	10 10° (<10)	STANDARD MEDIA	EX Export	1 6mm-54mm	IG1 eldoLED, SOLODrive 0.1% 0-10V, LOG, 120V-277V
F4SD Square Deep Regress	2 IP64 Wet* *Suction cup provided for aim and focus)	F Fixed	WH White	AB Architectural Bronze	80S 80+	11A 11W - 1209 Lm	27 2700K	15 15° (<16)	04 Soft Focus Lens* * (Required for 10° Optic)	PRE-CAST CONCRETE		IN1 eldoLED, SOLODrive 0.1% 0-10V, LIN, 120V-277V
F4TD Square Transitional Deep Regress			AG Satin Silver	AG Satin Silver	90S 90+	15A 15W - 1610 Lm	30 3000K	20 20° (<10)	ALTERNATE MEDIA	KC Integral Driver	ID1 eldoLED, SOLODrive 0.1% DALI-2, LOG, 120V-277V	
			AU Cashmere Gold	AU Cashmere Gold	97S 97+	15C 15W - 557Lm* *(For use with 10° optic only)	35 3500K	25 25° (<10)	01 Honeycomb Louver* * (Not available for IP64 Wet Location, Adjustable Fixtures, or Warm Dim)	KR Remote Driver	DD2 eldoLED, DUALdrive 0.1% DALI-2 D78, LOG, 120V-277V	
			BB Burnt Bronze	BB Burnt Bronze		21A 21W - 2175 Lm	40 4000K	40 40° (<10)	02 Clear Glass Lens* * (Not available for Warm Dim)		REMOTE TUNABLE WHITE	REMOTE DRIVER NOT ACCESSIBLE THROUGH CEILING CUTOUT
			BK Black	BK Black				60 60° (<13)	03 Frosted Glass Lens			
			PR Primer	PR Primer				85 85° (>19) * (Requires -7 WDL effects device)	05 Frosted Soft Focus Lens			
			CF Custom Finish* * (Consult Factory)	CF Custom Finish* * (Consult Factory)					06 Frosted Linear Spread Lens			
			TRIMLESS						07 Wide Distribution Lens* * (Required and only available for 85° optic)			
			TG Trimless Gypsum 1.5mm						HS Adjustable Honeycomb Louver and Soft Focus Lens* * (Not available for IP64 Wet Location, 21W or 22W, Fixed Fixtures, or Warm Dim)			
			TM Trimless Millwork* * (Not available for Pre-cast concrete installations)						NL No Lens* * (Not available for IP64 Wet Location, or Warm Dim)			
					WARM DIM	90W 90+		20 20° (<16)				
								25 25° (<10)				
								40 40° (<10)				
								60 60° (<13)				
								85 85° (>19) * (Requires -7 WDL effects device)				
					TUNABLE WHITE	90T 90+		15 15° (<16)				
								20 20° (<10)				
								25 25° (<10)				
								40 40° (<10)				
								60 60° (<13)				
								85 85° (>19) * (Requires -7 WDL effects device)				



LUMEN DELIVERED OUTPUTS REFLECT 80+ CRI / 3000K PAIRED WITH 60° OPTIC AND SOFT FOCUS LENS

- Fixture as e.g., F4RD1AWHBK90S21A30404EX1IG1



FRAXION4 INTERNATIONAL DEEP REGRESS

ACCESSORIES

ROUND / TRANSITIONAL ALTERNATE MEDIA

Dry/Damp location only.
Wet location requires alternate baffle.

- CGL-F4R-2** Clear Glass Lens*
*(Not available for Warm Dim)
- FGL-F4R-2** Frosted Glass Lens
- SFL-F4R-2** Soft Focus Lens
- FSFL-F4R-2** Frosted Soft Focus Lens
- WDL-F4R-2** Wide Distribution Lens*
*(Required and only available for 85° beam spread)
- FLSL-F4R-2** Frosted Linear Spread Lens

SQUARE ALTERNATE MEDIA

Dry/Damp location only.
Wet location requires alternate baffle.

- CGL-F4S-2** Clear Glass Lens*
*(Not available for Warm Dim)
- FGL-F4S-2** Frosted Glass Lens
- SFL-F4S-2** Soft Focus Lens
- FSFL-F4S-2** Frosted Soft Focus Lens
- WDL-F4S-2** Wide Distribution Lens*
*(Required and only available for 85° beam spread)
- FLSL-F4S-2** Frosted Linear Spread Lens

ADJUSTABLE HCL ASSEMBLY

Dry / Damp location only.

- OLR-F4RD1-SFL-HCL** Adjustable Honeycomb Louver and Soft Focus Lens*
*(Not available for IP64 Wet Location, 21W or 22W, Fixed Fixtures, or Warm Dim)

REPLACEMENT BAFFLE ASSEMBLY (INCLUDES MEDIA)

ASSEMBLY	SHAPE	TYPE	RATING	FINISH	MEDIA
RBA		AF			
REPLACEMENT BAFFLE ASSEMBLY	F4RD Round Shallow Regress F4SD Square Shallow Regress F4TD Square Transitional Shallow Regress	AF Adjustable / Fixed	1 IP20 Dry/Damp 2 IP64 Wet* *(Requires provided suction cup to service or aim & focus)	WH White AB Architectural Bronze AG Satin Silver AU Cashmere Gold BB Burnt Bronze BK Black PR Primer CF Custom Finish * *(Consult Factory)	04 Soft Focus Lens* *(Required for 10° optic) 01 Honeycomb Louver* *(Not available for IP64 Wet Location, adjustable fixtures, or Warm Dim) 02 Clear Glass Lens* *(Not available for Warm Dim) 03 Frosted Glass Lens 05 Frosted Soft Focus Lens 06 Frosted Linear Spread Lens 07 Wide Distribution Lens* *(Required and only available for 85° optic) NL No Lens* *(Not available for IP64 Wet Location, or Warm Dim)

REPLACEMENT OPTICS

Interchangeable optics accessible through fixture aperture.

STATIC WHITE

- RO-50-15-S** 15° optic
- RO-50-20-S** 20° optic
- RO-50-25-S** 25° optic
- RO-50-40-S** 40° optic
- RO-50-60-S** 60° optic
- RO-50-WW-S** Wallwash Optic

WARM DIM

- RO-50-20-W** 20° optic
- RO-50-25-W** 25° optic
- RO-50-40-W** 40° optic
- RO-50-60-W** 60° optic
- RO-50-WW-W** Wallwash Optic

TUNABLE WHITE

- RO-50-15-T** 15° optic
- RO-50-20-T** 20° optic
- RO-50-25-T** 25° optic
- RO-50-40-T** 40° optic
- RO-50-60-T** 60° optic
- RO-50-WW-T** Wallwash optic

REPLACEMENT SUCTION TOOL

One included with every six fixtures designated Wet location.

- F4-TOOL-SUCTION** Allows for removal of baffle with Wet location

FRAXION4 INTERNATIONAL DEEP REGRESS



PACKAGE	WATTS	10° OPTIC NO LENS		15° OPTIC SOFT FOCUS LENS		20° OPTIC SOFT FOCUS LENS		25° OPTIC SOFT FOCUS LENS		40° OPTIC SOFT FOCUS LENS		60° OPTIC SOFT FOCUS LENS		85° OPTIC WIDE DISTRIBUTION	
		DLVD.	LPW	DLVD.	LPW	DLVD.	LPW	DLVD.	LPW	DLVD.	LPW	DLVD.	LPW	DLVD.	LPW
80S11A	11	-	-	999	91	1129	103	1189	108	1037	94	1209	110	992	90
80S15A	15	1174	107	1346	90	1519	101	1478	99	1342	89	1610	107	1336	89
80S21A	21	-	-	1864	89	2036	97	1997	95	1814	86	2175	104	1818	87
90S11A	11	-	-	858	78	970	88	1021	93	891	81	1038	94	852	77
90S15A	15	1012	92	1156	77	1305	87	1270	85	1153	77	1383	92	1148	77
90S21A	21	-	-	1601	76	1749	83	1716	82	1558	74	1869	89	1562	74
97S11A	11	-	-	754	69	851	77	897	82	72	71	912	83	748	68
97S15A	15	873	79	1015	68	1146	76	1115	74	1012	67	1214	81	1008	67
97S21A	21	-	-	146	67	1536	73	1507	72	1368	65	1641	78	1371	65
90W15A (WL 27K-18K)	15	-	-	-	-	994	66	937	62	833	56	1022	68	878	59
90W15A (WD 30K-18K)	15	-	-	-	-	995	66	938	63	838	56	1031	69	885	59
90T15B (40K-18K)	15	-	-	1082	72	1140	76	1097	73	991	66	1209	81	999	67
90T15B (50K-27K)	15	-	-	1072	71	1130	75	1087	72	982	65	1198	80	990	66
90T22B (40K-18K)	22	-	-	1497	68	157+	72	1504	68	1374	62	1696	77	1394	63
90T22B (50K-27K)	22	-	-	1483	67	1561	71	1491	68	1362	62	1680	76	1381	63

MAX UNIFIED GLARE RATING

10° OPTIC NO LENS	15° OPTIC SOFT FOCUS LENS	20° OPTIC SOFT FOCUS LENS	25° OPTIC SOFT FOCUS LENS	40° OPTIC SOFT FOCUS LENS	60° OPTIC SOFT FOCUS LENS	85° OPTIC WIDE DISTRIBUTION
<10	<16	<10	<10	<13	<13	>19

OUTPUT MULTIPLIER

CCT	CCT SCALE
2400K	0.85
2700K	0.97
3000K	1.00
3500K	1.03
4000K	1.08

MEDIA LIGHT LOSS FACTOR

MEDIA	LIGHT LOSS FACTOR
NO LENS	1.06
CGL	1.00
SFL	1.00
FGL	0.89
FSFL	0.81
FLSL	0.82

TUNABLE WHITE MULTIPLIER

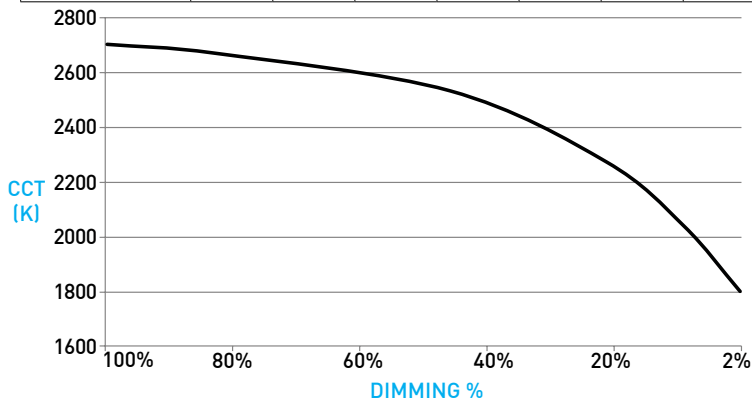
CCT	5000K-2700K	4000K-1800K
5000K	1.16	-
4000K	1.08	1.14
3500K	1.04	1.07
3000K	1.00	1.00
2700K	0.96	0.92
2400K	-	0.84
1800K	-	0.69

FRAZION4 INTERNATIONAL DEEP REGRESS

WARM DIM PERFORMANCE - 60° OPTIC - SOFT FOCUS LENS

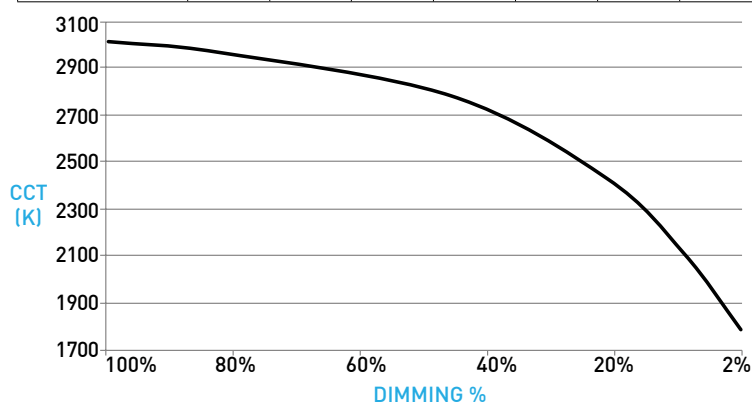
WARM DIM TO MIRROR INCANDESCENT DIMMING PROFILE

WL 2700K - 1800K	Full on 100%	Dimmed to 80%	Dimmed to 70%	Dimmed to 50%	Dimmed to 20%	Dimmed to 10%	Dimmed to 2%
CCT (K)	2700	2650	2620	2520	2180	1950	1800
Light Output (Lm)	1022	817	715	511	204	102	20
Power (W)	15	12	10.5	7.5	3	1.5	.3
Efficacy (LPW)	68	68	68	68	68	68	68



HALOGEN WARM DIM PROFILE

WD 3000K - 1800K	Full on 100%	Dimmed to 80%	Dimmed to 70%	Dimmed to 50%	Dimmed to 20%	Dimmed to 10%	Dimmed to 2%
CCT (K)	3000	2950	2920	2775	2375	2000	1800
Light Output (Lm)	1031	824	721	515	206	103	20
Power (W)	15	12	10.5	7.5	3	1.5	.3
Efficacy (LPW)	69	69	69	69	69	69	69

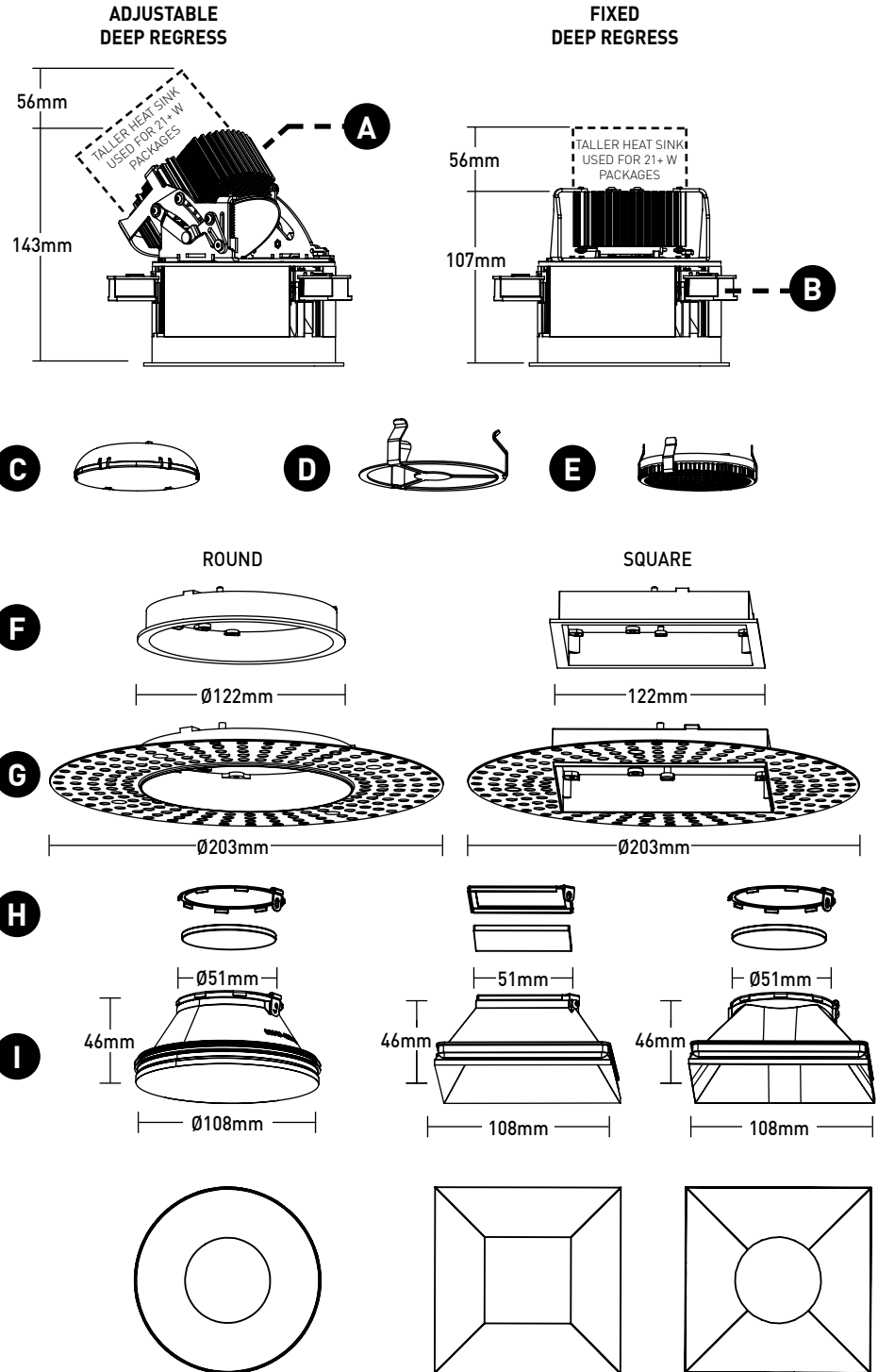


FRAXION4 INTERNATIONAL DEEP REGRESS

DOWNLIGHT FITTING

- A ADJUSTABILITY**
Hot-aim tilt up to 40° and 361° rotation with 5° tilt increment indicators. Sliding pivot point optimizes center beam, ensuring unclipped beam of 15° at 40° tilt and 25° at 30° tilt.
 - B RETENTION**
Integrated metal arm clamps located within fixture body allow discreet flange design, while accommodating varying ceiling thicknesses from 6mm to 54mm. Snap-on spacer clips (2X) supplied for ceiling thickness below 13 mm only.
 - C OPTIC**
Robust light engine with optimized optic pairing integrates Reflection, Refraction, and TIR offering 10°, 15°, 20°, 25°, 40° & 60° beams.
 - D 10° FIELD REDUCER**
Included with 10° optic. Reduces field angle by 30%
 - E ADJUSTABLE HCL ASSEMBLY**
Honeycomb Louver and Soft Focus Lens attach directly to optic with clip-on lens retainer and adjusts with fixture. Only compatible with no lens baffle. Dry/Damp locations only. Specified as "HS" Effects Device
 - F MICROFLANGE PROFILE**
Provides industry standard 11mm total contractor (goof) allowance with 7mm flange. Thickness measures 1.5mm. IP64 Wet location features integral silicone gasket.
 - G TRIMLESS GYPSUM PROFILE**
Installs totally flush with the ceiling with no visible trim. Features integrated appliqué for plaster floating directly to the baffle. Not recommended for stucco applications.
 - H EFFECTS DEVICES / LENS RETAINER**
Fixture is limited to 1 effects device. Wet location effects device is seated in place. Suction tool provided for removal of baffle with wet location. Lens retainer allows effects devices to be changed in Dry/Damp locations.
 - I ROUND / SQUARE BAFFLE**
Die-cast removable baffle provides easy access to tilting mechanism and features 70° glare cutoff. Minimizes aperture glare and conceals view into housing; includes gasket.
- SQUARE TRANSITIONAL BAFFLE**
Die-cast removable baffle provides easy access to tilting mechanism and features 70° glare cutoff. Transitions from square aperture at ceiling plane to round aperture at light source. Minimizes aperture glare and conceals view into housing; includes gasket.

DIMENSIONS / DRAWINGS



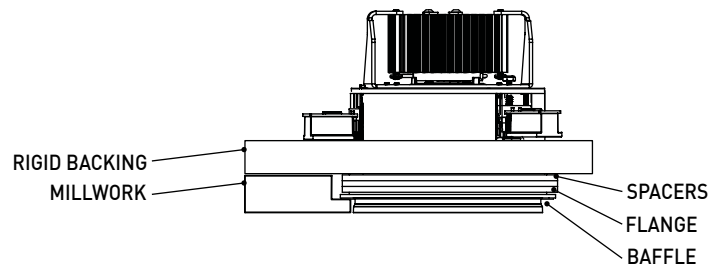
FRAXION4 INTERNATIONAL DEEP REGRESS

DOWNLIGHT FITTING

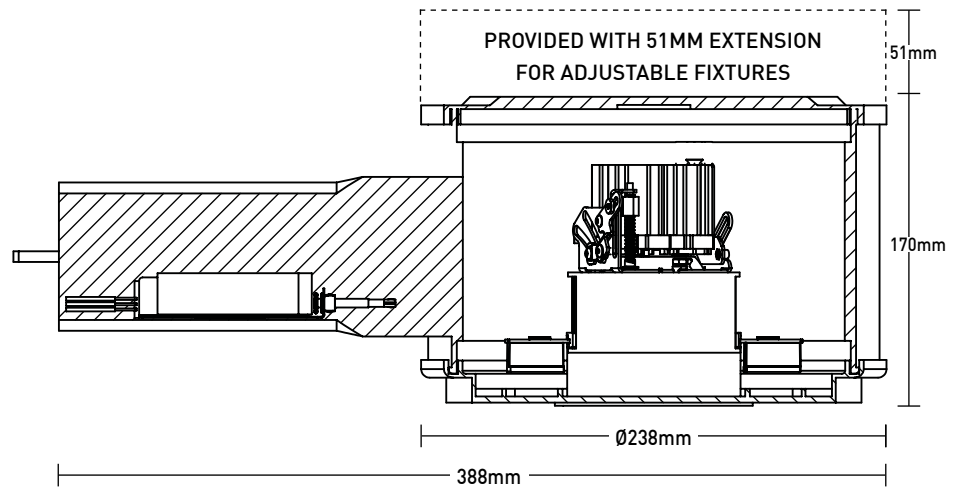
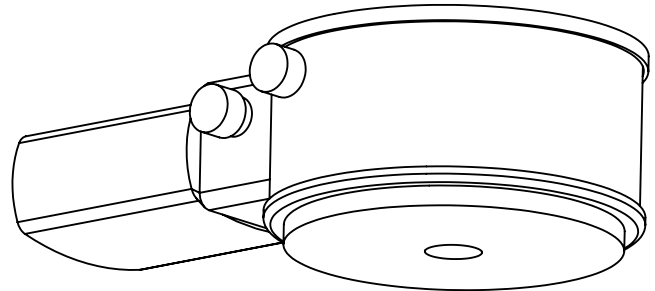
- J TRIMLESS MILLWORK PROFILE / SPACERS**
No visible flange, installs totally flush with millwork. Requires rigid backing for installation. Includes (1) 1.5mm spacer and (5) 3mm spacers.
- K CONCRETE POUR HOUSING / PROFILE**
 - Provided with install types "KC and KR".
 - Ships separate from downlight and power supply
 - Features 4 conduit entries compatible with 20mm and 25mm ENT. Features tunnel for integral power supply installation.

DIMENSIONS / DRAWINGS

J



K

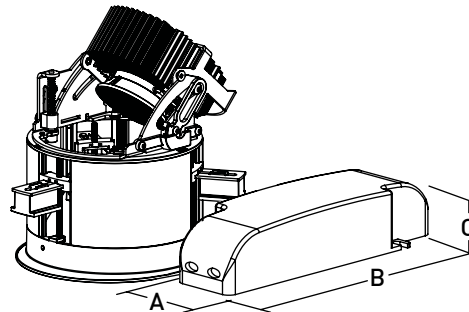


FRAXION4 INTERNATIONAL DEEP REGRESS

POWER SUPPLY

L FITTING WITH NON-IC TETHERED POWER SUPPLY

- Requires 113mm cutout.
- Tethered power supply protected wiring and quick-connect plug between fitting and power supply.
- Minimum 19mm clearance from top of fitting.
- Minimum setback from combustible and non-combustible materials of 168mm radius from fitting centerline; minimum 76mm from surfaces of power supply if not situated within above noted radius from fitting centerline.
- Minimum additional 76mm setback from insulation material with max R-Value 30 from any surface of downlight fitting assembly.
- Minimum additional 152mm setback from polycell spray foam insulation with max R-Value 60 from any surface of downlight fitting assembly.
- Consult factory for spacing requirements for any installations exceeding R-Value 60.
- Do not install in environments where ambient temperatures exceed 40°C (104°F).



POWER SUPPLY DIMENSIONS			
Model	A	B	C
IG1	41mm	210mm	34mm
IN1			
ID1			
DD1	76mm	130mm	30mm

FRAZION4 INTERNATIONAL DEEP REGRESS

TECHNICAL

CONSTRUCTION

Downlight: Painted finishes are granulated powder coat. Forged aluminum heat-sink.

Appliqué: Zinc alloy.

STATIC WHITE LED

2-step MacAdam ellipse LED module available in 80+, 90+ and 97+ CRI configurations in color temperatures of 2700K, 3000K, 3500K and 4000K. 3-step MacAdam ellipse LED module available in 90+ CRI configuration in color temperature of 2400K. Average rated lamp life of 50,000 hours. LED and driver assemblies are field-replaceable.

WARM DIM LED

3-step MacAdam ellipse warm dim LED module available in 90+ CRI configuration. 3000K or 2700K at full brightness, warming to 1800K at full dim. Average rated lamp life of 50,000 hours. LED and driver assemblies are field-replaceable.

TUNABLE WHITE LED

3-step MacAdam ellipse tunable white LED module available in 90+ CRI configuration. Features tuning ranges of 1800K to 4000K and 2700K to 5000K. Average rated lamp life of 50,000 hours. LED and driver assemblies are field-replaceable.

POWER SUPPLY PERFORMANCE AND DIMMING INFORMATION

Power Supply	0-10V		DALI-2	
	IG1	IN1	ID1	DD1
Minimum °C	-20 °C	-20 °C	-20 °C	-20 °C
Maximum °C	40 °C	40 °C	40 °C	40 °C
Dimming %	0.1%	0.1%	0.1%	0.1%

Note: For IG1 and IN1 drivers consult chart on page 9 to confirm appropriate dimming curve for compatibility with selected control.

MAXIMUM ALLOWABLE REMOTE DRIVER WIRING DISTANCES

DRIVER	WIRE AWG				
	12	14	16	18	20
IG1, IN1, ID1, DD1	-	-	118'	72	46'

LISTING

CE Listed for IP20 Dry / Damp and IP64 Wet locations.

NEMA 410 Compliant.

U.S. Patent: 10,317,066

DECLARE

LBC Red List Approved.

WEIGHT

Fixture - 3.1 lbs max

Remote Driver - 1.4 lbs

LIMITED WARRANTY

Manufacturer's Limited Warranty guarantees product(s) listed to be free from defects in material and workmanship under normal use and service for 1-year. LED and power supplies are warranted to operate with 70% of original flux and remain within a range of 3 duv for a period of 5-years. 10-year Lutron Advantage limited warranty available on Lutron equipped systems. Warranty period begins from the date of shipment by Seller. [Consult website for full warranty terms and conditions.](#)

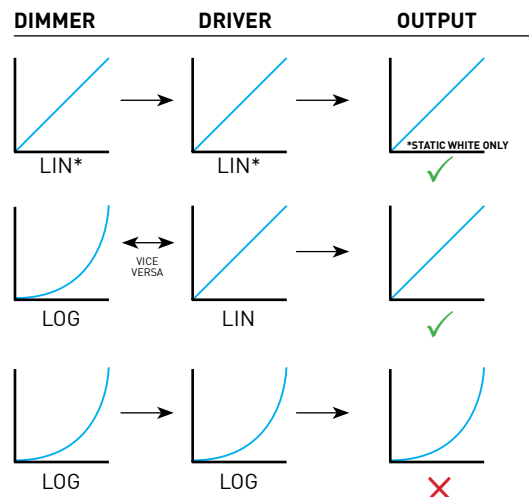
FRAXION4 INTERNATIONAL DEEP REGRESS

DIMMING COMPATIBILITY

eldoLED DRIVER COMPATIBILITY

Power supply IG1 Manufacturer	Family/Model #
Busch-Jaeger	2112U-101
Jung	240-10
Leviton Lighting Controls	IP710-DLX
Lightolier Controls	ZP600FAM120
Merten	5729
Pass & Seymour	CD4FB-W
The Watt Stopper	DCLV1
Synergy	ISD BC
Crestron®	GLX-DIMFLV8
Crestron®	GLXP-DIMFLV8
Crestron®	GLPAC-DIMFLV4-*
Crestron®	GLPAC-DIMFLV8-*
Crestron®	GLPP-DIMFLVEX-PM
Crestron®	GLPP-1DIMFLV2EX-PM
Crestron®	GLPP-1DIMFLV3EX-PM
Crestron®	DIN-A08
Crestron®	DIN-4DIMFLV4
Crestron®	CLS-EXP-DIMFLV
Crestron®	CLCI-1DIMFLV2EX
Power supply IN1	Family/Model #
Lutron Electronics	Nova T® - NTFTV
Lutron Electronics	Diva® - DDTV
Lutron Electronics	Nova® - NFTV
Lutron Electronics	GrafixEye® GRX-TVI w GRX3503
Lutron Electronics	Energy Savr Node™ - QSN-4T16-S
Lutron Electronics	TVM2 Module
Sensor Switch	nIO EZ
ABB	SD/S 2.16.1

ANALOG DRIVERS AND DIMMERS



LIN = LINEAR
 LOG = LOGARITHMIC
 *LIN-TO-LIN NOT COMPATIBLE FOR WARM-DIM