

CYLINDER 3 LVS SUSPENDED CABLE UP/DOWN

Our best-selling cylinders keep getting better. Suspended cylinders are offered in a broad range of sizes and more than a dozen finish options, with field-cutable cables and lumens from 800 to almost 4000lm.

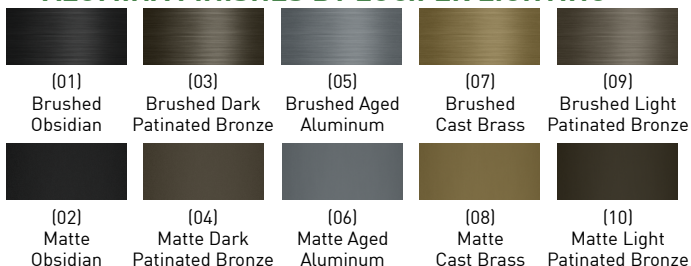
PROJECT NAME:	TYPE:
---------------	-------



ORDERING INFORMATION

CYLINDER	LENGTH	FUNCTION	RATING	CYLINDER FINISH	BAFFLE FINISH	CRI / WATTAGE PACKAGE	CCT	LOWER OPTIC (UGR)	LOWER MEDIA	POWER SUPPLY	MOUNTING
CP3X		U	1							LVS	
CP3X 3.91" Ø	096W 96" White 192W 192" White 096B 96" Black 192B 192" Black XXXB Black Cable* XXXW White Cable* *(Specify length in inches) *(Cable is field cuttable)	U Up/Down	1 Dry / Damp (IP30)	POWDERCOAT FINISHES WH White AG Satin Silver AU Cashmere Gold AB Architectural Bronze BB Burnt Bronze BK Black CF Custom Finish* *(Consult Factory)	POWDERCOAT FINISHES WH White AG Satin Silver AU Cashmere Gold AB Architectural Bronze BB Burnt Bronze BK Black CF Custom Finish* *(Consult Factory)	STATIC WHITE 80S11B 80+ CRI, 11W Down, 14W Up Down: 1240 lm delivered Up: 1235 lm delivered 80S17B 80+ CRI, 17W Down, 14 W Up Down: 1943 lm delivered Up: 1235 lm delivered 90S11B 90+ CRI, 11W Down, 14W Up Down: 1060 lm delivered Up: 1074 lm delivered 90S17B 90+ CRI, 11W Down, 14W Up Down: 1661 lm delivered Up: 1074 lm delivered WARM DIM 90W24B 90+ CRI, 24W Down, 14W Up Down: 1777 lm delivered Up: 1227 lm delivered	24 2400K* *(90+CRI only) 27 2700K 30 3000K 35 3500K 40 4000K WD 3000K-1800K	10 10°* (<10) *(17 Watts only) 15 15° (<13) 20 20° (<10) 25 25° (<10) 40 40° (<10) 60 60° (<13) 20 20° (<10) 25 25° (<10) 40 40° (<10) 60 60° (<10)	STANDARD MEDIA 4 Soft Focus Lens (SFL)* *(Required for 10° optic) ALTERNATE MEDIA 0 No Lens* *(Not available for Warm Dim) 2 Honey Comb Louver (HCL)* *(Not available for Warm Dim) 3 Clear Glass Lens (CGL)* *(Not available for Warm Dim) 4 Frosted Glass Lens (FGL) 6 Frosted Soft Focus Lens (FSFL) 7 Frosted Linear Spread Lens (FLSL) C Clear Glass Film w/ Honeycomb Louver S Soft Focus Film w/ Honeycomb Louver	LVS Low Voltage System	ROUGH-IN JBMP 4" Sq. or 4/0 Junction Box Mounting Plate FINISH OUT CMJB * 1/2" and 3/4" Conduit Ceiling Mount Junction Box* *(Available in powdercoat finishes. Alumina finish fixtures ship with Black powdercoat CMJB.) SMK3 3/0 Surface Mount Kit SMK4 4/0 Surface Mount Kit
						*ALL DELIVERED LUMEN OUTPUTS AND REFLECT 3000K PAIRED WITH 20° OPTIC AND SOFT FOCUS LENS.			*SEE PAGE 4 FOR UGR VALUES		

ALUMINA FINISHES BY LUCIFER LIGHTING™



PART NUMBER NOTES

- CP3X ships as e.g., CP3X048U1WHBK80S23B1LVS
- Mounting part numbers listed on page 6

POWDERCOAT FINISHES






CYLINDER 3 LVS SUSPENDED CABLE UP/DOWN

APPLICATION NOTES

- Lucifer Lighting will not supply a fixture with a POE node or power supply inside the fixture. This allows for easier site install with nodes of 2 or more outputs.
- Consult node manufacturer for maximum remote wiring distances.
- Fixture features 18 Gauge wiring.
- Wiring connections are made on the fixture using customer supplied connectors, ex. wire nuts, push-in connectors, or terminal blocks.
- Confirm node compatibility with factory if it is not listed.
- Customers are responsible for ensuring POE node drive current is set to correct values shown below.
- Customers must ensure voltage range of the proposed POE node encompasses the fixtures complete Vf range, both maximum and minimum. If assistance is required contact LLC rep or factory.

NODE COMPATIBILITY

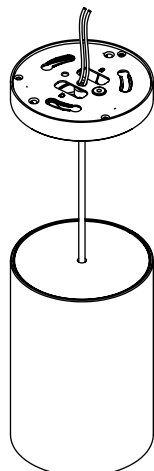
Manufacturer	Model Number
 Igor Enabling Smart Buildings™	NP50-60-C-F-5
 molex	180996-1001 180996-1002 180996-2001 180996-2002
 PLATFORMATICS	1 Channel Node, POE-LN2-1U-E 2 Channel Node, POE-LN2-2U-E 4 Channel Node, POE-LN2-4U-E

DRIVE CURRENT SPECIFICS

	80S		90S		97S		90W
	11B	17B	11B	17B	11B	17B	24B
Minimum Vf	30.5	30.5	30.5	30.5	30.5	30.5	30.5
Maximum Vf	39	39	39	39	39	39	39
Current mA	250	400	250	400	250	400	550
Wattage W	8.1	13.2	8.1	13.2	8.1	13.2	18.2

	10 DEGREE OPTIC			
	80S11C	80S17C	90S11C	90S17C
Minimum Vf	30.5	30.5	30.5	30.5
Maximum Vf	39	39	39	39
Current mA	250	400	250	400
Wattage W	9.2	15.7	9.2	15.7

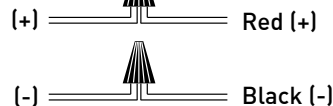
WIRING DIAGRAM



LV CONSTANT
CURRENT SOURCE:

POE NODE OR
REMOTE DRIVER

Class 2
Wiring



CYLINDER

CYLINDER 3 LVS SUSPENDED CABLE UP/DOWN

ACCESSORIES

REPLACEMENT MEDIA

- SFL-CY3X-03** Soft Focus Lens
- HCL-CY3X-03** Honeycomb Louver *
- CGL-CY3X-03** Clear Glass Lens *
- FGL-CY3X-03** Frosted Glass Lens
- FSFL-CY3X-03** Frosted Soft Focus Lens
- FLSL-CY3X-03** Frosted Linear Spread Lens
- CGL-HCL-CY3X-03** Clear Glass Film W/ Honeycomb Louver
- SFL-HCL-CY3X-03** Soft Focus Film W/ Honeycomb Louver

STATIC WHITE REPLACEMENT OPTICS

- RO-70-15-S** 15° optic
- RO-70-20-S** 20° optic
- RO-70-25-S** 25° optic
- RO-70-40-S** 40° optic
- RO-70-60-S** 60° optic

WARM DIM REPLACEMENT OPTICS

- RO-70-20-W** 20° optic
- RO-70-25-W** 25° optic
- RO-70-40-W** 40° optic
- RO-70-60-W** 60° optic

EMERGENCY LIGHTING - REMOTE MOUNT ONLY

During disruption of main power, emergency battery inverter provides temporary 120V or 277V to fixture.

- EMB-S-25-120/277-LEDX** 25 watt max capacity, 120 or 277 VAC 60Hz
- EMB-S-100-120-LEDX** 100 watt max capacity, 120 VAC 60Hz, 0-10V dimmable
- EMB-S-100-277-LEDX** 100 watt max capacity, 277 VAC 60Hz, 0-10V dimmable
- EMB-S-250-120/277-LEDX** 250 watt max capacity, 120 or 277 VAC 60Hz

***SHUNT REQUIRED FOR USE WITH ATHENA AND CASAMBI CONTROLS, CONSULT FACTORY FOR DETAILS.**

CYLINDER 3 LVS SUSPENDED CABLE UP/DOWN

STATIC WHITE PERFORMANCE - 3000K

LUMEN PACKAGE	WATTAGE	10° OPTIC SOFT FOCUS LENS		15° OPTIC SOFT FOCUS LENS		20° OPTIC SOFT FOCUS LENS		25° OPTIC SOFT FOCUS LENS		40° OPTIC SOFT FOCUS LENS		60° OPTIC SOFT FOCUS LENS	
		DLVD	LPW	DLVD	LPW	DLVD	LPW	DLVD	LPW	DLVD	LPW	DLVD	LPW
80S11B	11	-	-	1169	106	1240	112	1243	112	1185	107	1156	105
80S17B	17	819	48	1771	104	1943	114	1931	113	1858	109	1801	105
80S23B	23	-	-	2301	100	2559	111	2541	110	2409	104	2373	103
90S11B	11	-	-	1008	91	1060	96	1062	96	1013	92	988	89
90S17B	17	706	42	1527	89	1661	97	1650	97	1588	93	1539	90
90S23B	23	-	-	1984	86	2187	95	2172	94	2059	89	2028	88
90W24BL (2700K-1800K)	24	-	-	-	-	1642	68	1626	67	1556	64	1491	62
90W24BD (3000K-1800K)	24	-	-	-	-	1777	74	1742	72	1685	70	1600	66

MEDIA LIGHT LOSS FACTOR

MEDIA	LIGHT LOSS FACTOR
No Lens	1.07
CGL	0.99
SFL	1.00
FGL	0.88
FSFL	0.91
FLSL	0.81
HCL	0.71
SFL+HCL	0.66

OUTPUT MULTIPLIER

CCT	CCT SCALE
2400K	0.76
2700K	0.957
3000K	1.000
3500K	1.019
4000K	1.030

UPLIGHT PERFORMANCE BY CCT

LUMEN PACKAGE	WATTAGE	2700K CCT		3000K CCT		3500K CCT		4000K CCT		1800K-300K WARM DIM	
		DLVD	LPW	DLVD	LPW	DLVD	LPW	DLVD	LPW	DLVD	LPW
80S11B	14	1198	87	1235	88	1289	94	1336	97		
90S11B	14	988	73	1074	78	1129	82	1062	96		
90S18WD (2700K-1800K)	14									1227	77

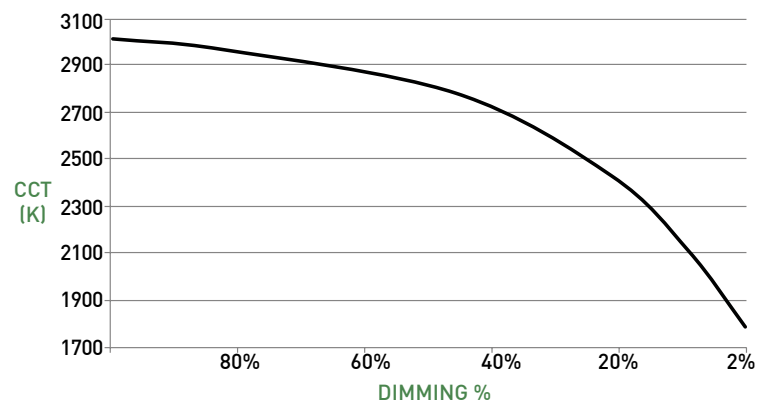
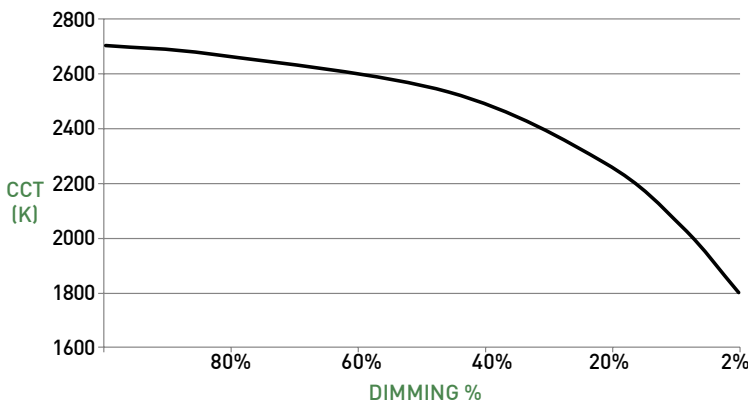
UNIFIED GLARE RATING

10° OPTIC SOFT FOCUS LENS	15° OPTIC SOFT FOCUS LENS	20° OPTIC SOFT FOCUS LENS	25° OPTIC SOFT FOCUS LENS	40° OPTIC SOFT FOCUS LENS	60° OPTIC SOFT FOCUS LENS
<10	<13	<10	<10	<10	<13

WARM DIM PERFORMANCE - SOFT FOCUS LENS - 20° OPTIC

HALOGEN DIMMING PROFILE

90W24BD 3000K - 1800K	Full on 100%	Dimmed to 80%	Dimmed to 70%	Dimmed to 50%	Dimmed to 20%	Dimmed to 10%	Dimmed to 2%
CCT (K)	3000	2950	2920	2775	2375	2000	1800
Light Output (Lm)	1777	1422	1244	889	355	178	36
Power (W)	24	18	16	12	5	2.3	0.5
Efficacy (LPW)	74	74	74	74	74	74	74

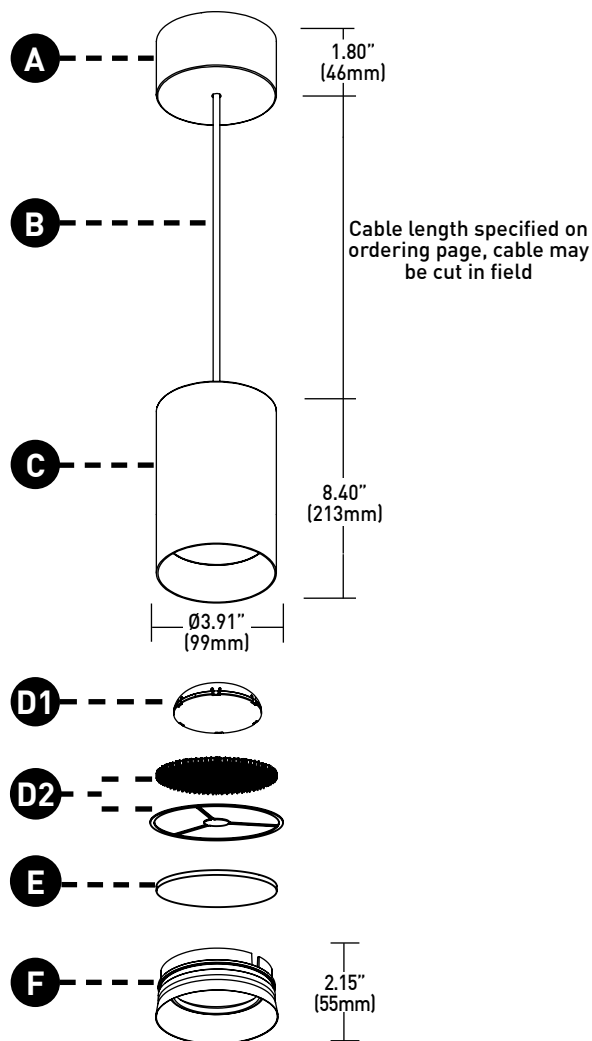


CYLINDER 3 LVS SUSPENDED CABLE UP/DOWN

SUSPENDED CABLE

DIMENSIONS / DRAWINGS

- A CANOPY**
Die-cast 1.80" (46mm) canopy accommodates flat and slope ceiling conditions. Conceals hidden twist-on mounting hardware. Available with integral or remote driver.
- B CABLE**
Black and white wiring harness available; up to 192.0" length; cable may be cut in field.
- C LUMINAIRE**
Die-cast body with integral heat sink and LED.
- D1 OPTICS**
Robust light engine with optimized optic pairing integrates Reflection, Refraction, and TIR offering 10°, 15°, 20°, 25°, 40° & 60° beams. Uplight does not feature optic.
- D2 10° FIELD REDUCER**
Included with 10° optic. Reduces field angle by 16%.
- E MEDIA**
Cylinder accepts 2 media (one lens and one film). Soft focus lens or no lens standard and sealed in place. Uplight media features high performance diffusion film.
- F BAFFLE**
Die-cast baffle minimizes aperture glare and conceals view into fixture.

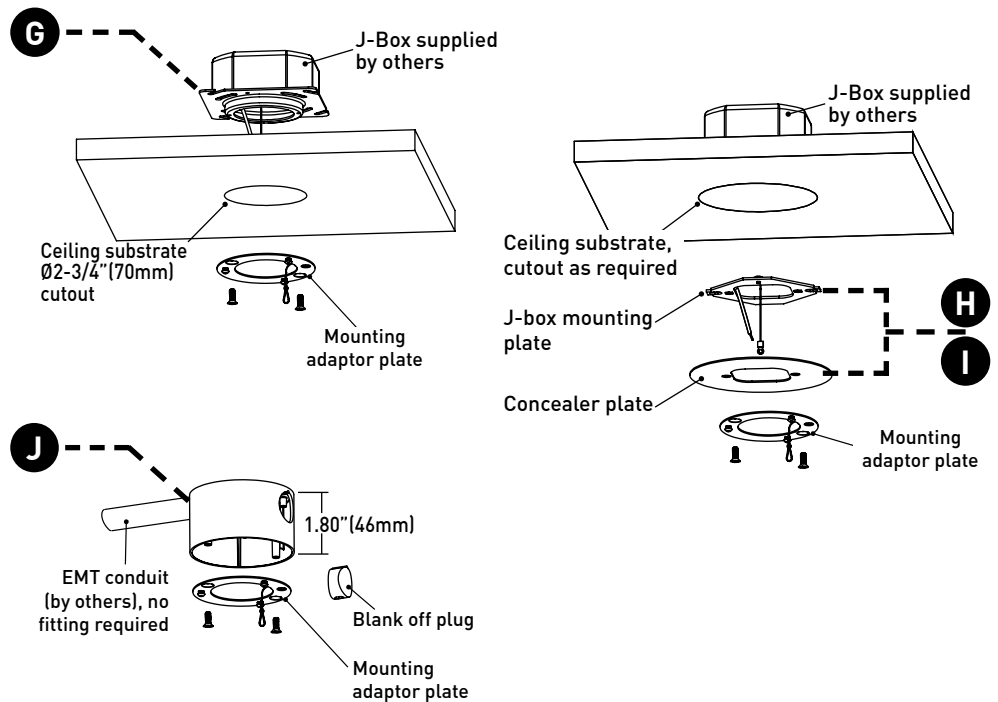


CYLINDER 3 LVS SUSPENDED CABLE UP/DOWN

MOUNTING

- G JBMP**
Mounting plate (concealed) for standard 4" square or 4" 4/0 j-box . To be installed during rough-in prior to substrate. Fixture to mount flush with minimalist transition to ceiling.
Part Number - CP3X-JBMP
- H SMK3**
Surface mount kit includes mounting plate and 4" concealer plate that installs between fixture and standard 4" 4/0 j-box for existing applications where standard j-box cutout is to be concealed.
Part Number - CP3X-SMK-3/0-(FINISH)
- I SMK4**
Surface mount kit includes mounting plate and 5" concealer plate that installs between fixture and standard 4" 4/0 j-box for existing applications where standard j-box cutout is to be concealed.
Part Number - CP3X-SMK-4/0-(FINISH)
- J CMJB**
Ceiling mount junction box perfectly matches the cylinder profile for a continuous, integrated look where exposed ceiling mount junction box and conduit applications apply. For use with 1/2" and 3/4" EMT conduit only. Features two conduit entrances on either side and one conduit knockout on top of j-box. J-box is IP10 rated; painted finishes only. Blank off plugs included.
Part Number - CP3X-CMJB-(FINISH)

DIMENSIONS / DRAWINGS



MOUNTING NOTES

- JBMP and SMK-3/0 & 4/0 not recommended for use with pancake style j-box.
- Fixtures are surface mount and must have access to free air. For applications involving slat ceilings or confined mounting, consult Comprehensive Install Guide for required clearances for proper air flow and servicing.

CYLINDER 3 LVS SUSPENDED CABLE UP/DOWN

TECHNICAL

CONSTRUCTION

Pendant: Machined aluminum body with integrated heat sink; painted finishes are granulated powder coat. Alumina finishes are anodized aluminum.

CMJB: Die-cast aluminum body; painted finishes are granulated powder coat.

STATIC WHITE LED

2-step MacAdam ellipse LED module available in 80+, 90+ and 95+ CRI configurations in color temperatures of 2700K, 3000K, 3500K and 4000K.

3-step MacAdam ellipse LED module available in 90+ CRI configuration in color temperature of 2400K. Average rated lamp life: 50,000 hours. LED and driver assemblies are field-replaceable.

WARM DIM LED

3-step MacAdam ellipse warm dim LED module available in 90+ CRI configuration. 3000K or 2700K at full brightness, warming to 1800K at full dim. Average rated lamp life of 50,000 hours. LED and driver assemblies are field-replaceable.

MOUNTING

Cylinder is supplied with a mounting adaptor plate, which integrates with required additional mounting accessories specified separately according to field application conditions, providing a minimalist transition from standard 4/0 or 4" square junction boxes and accommodating ceiling thicknesses of 0.44" (12mm) to 0.75" (19mm). Ceiling-mount junction box available for 1/2" (13mm) and 3/4" (19mm) conduit and feature concealed internal clamps for clean fitting-free conduit exit and entry.

LISTING

cTUVus listed to UL2108 standard for Dry / Damp (IP30) location. Buy American Act compliant.

DECLARE

LBC Declared.

FIXTURE WEIGHT

CP3X / Mounting - 5 lbs

Remote Driver - 1.4 lbs

LIMITED WARRANTY

Manufacturer's 1-year warranty guarantees product(s) listed to be free from defects in material and workmanship under normal use and service. 5-year warranty on LED and power supply to operate with 70% of the original flux and remain within a range of 3 duv. 10-year Lutron Advantage limited warranty available on Lutron equipped systems. Warranty period begins from the date of shipment by Seller. Consult [website](#) for full warranty terms and conditions.

CHANGE LOG

- 3/15/2024: 10 DEGREE FIELD REDUCER ADDED, 10 DEGREE PERFORMANCE DATA UPDATED