

# FRAXION<sup>®</sup>3 REMODEL SHALLOW REGRESS

- Max output of 2024lm at 80+ CRI
- Baffle options in round and square featuring UGR as low as 4.3
- Integral drivers for tunable white with our 2 ranges, 1800K to 4000K and 2700K to 5000K
- Now available for remodel and concrete pour applications

PROJECT NAME:	TYPE:
---------------	-------



## ORDERING INFORMATION - FIXTURE

SHAPE	RATING	TYPE	FINISH	BAFFLE FINISH	CRI	WATTAGE	CCT	OPTIC (UGR)	MEDIA	INSTALL TYPE	CEILING THICKNESS	DRIVER
F3RS Round Shallow Regress	1 IP20 Dry/Damp	A Adjustable	POWDERCOAT MICROFLANGE	POWDERCOAT	STATIC WHITE	 <b>STATIC WHITE</b> 24 2400K* <small>*[90+ CRI 11W and 15W only]</small> 27 2700K 30 3000K 35 3500K 40 4000K	10 10° (<10) <small>* [15C package only]</small> 15 15° (>19) 20 20° (<13) 25 25° (<13) 40 40° (<16) 60 60° (>19) 85 85° (>19) <small>* [Requires -7WDL media]</small> WW Wallwash* <small>* [Required for wallwash]</small>	STANDARD MEDIA 04 Soft Focus Lens* <small>* [Required for 10° Optic]</small> WW Wallwash Lens* <small>* [Required for Wallwash]</small> ALTERNATE MEDIA 01 Honeycomb Louver* <small>* [Not available for IP64 Wet Location, Adjustable Fixtures, or Warm Dim]</small> 02 Clear Glass Lens* <small>* [Not available for Warm Dim]</small> 03 Frosted Glass Lens 05 Frosted Soft Focus Lens 06 Frosted Linear Spread Lens 07 Wide Distribution Lens* <small>* [Required and only available for 85° optic]</small> HS Adjustable Honeycomb Louver and Soft Focus Lens* <small>* [Not available for IP64 Wet Location, 21W, Fixed Fixtures, or Warm Dim]</small> NL No Lens* <small>* [Not available for IP64 Wet Location, or Warm Dim]</small>	REMODEL RM Remodel RR Remote Driver PRE-CAST CONCRETE KC Integral Driver* <small>* [Not available for Athena and Casambi wireless controls]</small> KR Remote Driver	1 0.25" - 1.50"	REMODEL PH1 Forward / Reverse Phase, 2%, 120V SG3 eldoLED, ECOdrive 1%, 0-10V, LOG, 120V-277V SN3 eldoLED, ECOdrive 1%, 0-10V, LIN, 120V-277V EG1 eldoLED, SOLOdrive 0.1% 0-10V, LOG, 120V-277V EN1 eldoLED, SOLOdrive 0.1% 0-10V, LIN, 120V-277V ED1 eldoLED, SOLOdrive 0.1% DALI-2, LOG, 120V-277V LP1 Lutron, Hi-Lume Premier Ecosystem 0.1% Fade to Black, 120V or 277V* <small>* [Not available for 21W in KC install types]</small> REMOTE AS1/ ASR Athena Control eldoLED, SOLOdrive 0.1%, 120V-277V* <small>* [Includes Athena Node. Extended lead time, consult factory. ASR includes shunt]</small> CS1/ CSR Casambi Control eldoLED, SOLOdrive 0.1%, 120V-277V* <small>* [Includes Casambi Node. Extended lead time, consult factory. CSR includes shunt]</small> TUNABLE WHITE REMODEL (120-277V) MG1 0.1% 0-10V, LOG MN1 0.1% 0-10V, LIN MD2 0.1% DALI-2 D78, LOG TUNABLE WHITE REMOTE (120-277V) AM1/ AMR* Athena Control 0.1% <small>* [Includes Athena Node. Extended lead time, consult factory. AMR includes shunt]</small> CM1/ CMR* Casambi Control 0.1% <small>* [Includes Casambi Node. Extended lead time, consult factory. CMR includes shunt]</small> AVAILABLE WITH REMOTE TUNABLE WHITE ELDOLED DRIVERS, SEE PAGE 6	
F3SS Square Shallow Regress	2 IP64 Wet* <small>* [Suction cup provided for aim and focus]</small>	F Fixed	WH White AB Architectural Bronze AG Satin Silver AU Cashmere Gold	WH White AB Architectural Bronze AG Satin Silver AU Cashmere Gold	80S 80+ 90S 90+ 97S 97+	 <b>WARM DIM</b> 10A 90+ CRI, 10 Watts 15A 90+ CRI, 15 Watts Incandescent Profile 11W Lumens Divd. - 757 15W Lumens Divd. - 1046 Halogen Profile 11W Lumens Divd. - 766 15W Lumens Divd. - 1071	20 20° (<10) 25 25° (<13) 40 40° (<16) 60 60° (<19) 85 85° (>19) <small>* [Requires -7WDL media]</small> WW Wallwash* <small>* [Required for wallwash]</small> WD 2600K (10W) 2700K (15W) -1800K WD 2900K (10W) 3000K (15W) -1800K	01 Honeycomb Louver* <small>* [Not available for IP64 Wet Location, Adjustable Fixtures, or Warm Dim]</small> 02 Clear Glass Lens* <small>* [Not available for Warm Dim]</small> 03 Frosted Glass Lens 05 Frosted Soft Focus Lens 06 Frosted Linear Spread Lens 07 Wide Distribution Lens* <small>* [Required and only available for 85° optic]</small> HS Adjustable Honeycomb Louver and Soft Focus Lens* <small>* [Not available for IP64 Wet Location, 21W, Fixed Fixtures, or Warm Dim]</small> NL No Lens* <small>* [Not available for IP64 Wet Location, or Warm Dim]</small>	KR Remote Driver		LP1 Lutron, Hi-Lume Premier Ecosystem 0.1% Fade to Black, 120V or 277V* <small>* [Not available for 21W in KC install types]</small> REMOTE AS1/ ASR Athena Control eldoLED, SOLOdrive 0.1%, 120V-277V* <small>* [Includes Athena Node. Extended lead time, consult factory. ASR includes shunt]</small> CS1/ CSR Casambi Control eldoLED, SOLOdrive 0.1%, 120V-277V* <small>* [Includes Casambi Node. Extended lead time, consult factory. CSR includes shunt]</small> TUNABLE WHITE REMODEL (120-277V) MG1 0.1% 0-10V, LOG MN1 0.1% 0-10V, LIN MD2 0.1% DALI-2 D78, LOG TUNABLE WHITE REMOTE (120-277V) AM1/ AMR* Athena Control 0.1% <small>* [Includes Athena Node. Extended lead time, consult factory. AMR includes shunt]</small> CM1/ CMR* Casambi Control 0.1% <small>* [Includes Casambi Node. Extended lead time, consult factory. CMR includes shunt]</small> AVAILABLE WITH REMOTE TUNABLE WHITE ELDOLED DRIVERS, SEE PAGE 6	
F3TS Square Transitional Shallow Regress*			BB Burnt Bronze BK Black PR Primer CF Custom Finish* <small>* [Consult Factory]</small> TRIMLESS TG Trimless Gypsum 1/16" TM Trimless Millwork* <small>* [Not available for Pre-cast concrete installations]</small>	BB Burnt Bronze BK Black PR Primer CF Custom Finish* <small>* [Consult Factory]</small>		 <b>TUNABLE WHITE</b> 17A 17W Warm Profile: 4000K - 1800K 1101 Lm Cool Profile: 5000K - 2700K 1097 Lm	TR 4000K - 1800K TH 5000K - 2700K	15 15° (<19) 20 20° (<10) 25 25° (<13) 40 40° (<16) 60 60° (<19) 85 85° (>19) <small>* [Requires -7WDL media]</small> WW Wallwash* <small>* [Required for wallwash]</small>	KR Remote Driver		LP1 Lutron, Hi-Lume Premier Ecosystem 0.1% Fade to Black, 120V or 277V* <small>* [Not available for 21W in KC install types]</small> REMOTE AS1/ ASR Athena Control eldoLED, SOLOdrive 0.1%, 120V-277V* <small>* [Includes Athena Node. Extended lead time, consult factory. ASR includes shunt]</small> CS1/ CSR Casambi Control eldoLED, SOLOdrive 0.1%, 120V-277V* <small>* [Includes Casambi Node. Extended lead time, consult factory. CSR includes shunt]</small> TUNABLE WHITE REMODEL (120-277V) MG1 0.1% 0-10V, LOG MN1 0.1% 0-10V, LIN MD2 0.1% DALI-2 D78, LOG TUNABLE WHITE REMOTE (120-277V) AM1/ AMR* Athena Control 0.1% <small>* [Includes Athena Node. Extended lead time, consult factory. AMR includes shunt]</small> CM1/ CMR* Casambi Control 0.1% <small>* [Includes Casambi Node. Extended lead time, consult factory. CMR includes shunt]</small> AVAILABLE WITH REMOTE TUNABLE WHITE ELDOLED DRIVERS, SEE PAGE 6	



LUMEN DELIVERED OUTPUTS  
REFLECT 80+ CRI / 3000K PAIRED  
WITH 20° OPTIC AND SOFT FOCUS  
LENS

## PART NUMBER NOTES

- Fixture as e.g., F3RS1AWHBK90S15A30404RM1SG1



# FRACTION3 REMODEL SHALLOW REGRESS

## ACCESSORIES

### ROUND / TRANSITIONAL ALTERNATE MEDIA

IP20 Dry / Damp location only.  
IP64 Wet location requires alternate baffle.

- CGL-F3R** Clear Glass Lens\*  
\*(Not available for Warm Dim)
- FGL-F3R** Frosted Glass Lens
- SFL-F3R** Soft Focus Lens
- FSFL-F3R** Frosted Soft Focus Lens
- WDL-F3R** Wide Distribution Lens\*  
\*(Required and only available for 85° beam spread)
- FLSL-F3R** Frosted Linear Spread Lens

### SQUARE ALTERNATE MEDIA

IP20 Dry / Damp location only.  
IP64 Wet location requires alternate baffle.

- CGL-F3S** Clear Glass Lens\*  
\*(Not available for Warm Dim)
- FGL-F3S** Frosted Glass Lens
- SFL-F3S** Soft Focus Lens
- FSFL-F3S** Frosted Soft Focus Lens
- WDL-F3S** Wide Distribution Lens\*  
\*(Required and only available for 85° beam spread)
- FLSL-F3S** Frosted Linear Spread Lens

### ADJUSTABLE HCL ASSEMBLY

Dry / Damp location only.

- OLR-F3RS1-SFL-HCL** Adjustable Honeycomb Louver and Soft Focus Lens\*  
\*(Not available for IP64 Wet Location, 21W, Fixed Fixtures, or Warm Dim)

## REPLACEMENT BAFFLE ASSEMBLY (INCLUDES MEDIA)

ASSEMBLY	SHAPE	TYPE	RATING	FINISH	MEDIA
<b>RBA</b>					
REPLACEMENT BAFFLE ASSEMBLY	F3RS Round Shallow Regress F3SS Square Shallow Regress F3TS Square Transitional Shallow Regress	AF Adjustable / Fixed WW Wallwash	1 IP20 Dry/Damp 2 IP64 Wet* *(Requires provided suction cup to service or aim & focus)	WH White AB Architectural Bronze AG Satin Silver AU Cashmere Gold BB Burnt Bronze BK Black PR Primer CF Custom Finish* *(Consult Factory)	04 Soft Focus Lens* *(Required for 10° optic) WW Wallwash Lens* *(Required for wallwash) 01 Honeycomb Louver* *(Not available for IP64 Wet Location, adjustable fixtures, or Warm Dim) 02 Clear Glass Lens* *(Not available for Warm Dim) 03 Frosted Glass Lens 05 Frosted Soft Focus Lens 06 Frosted Linear Spread Lens 07 Wide Distribution Lens* *(Required and only available for 85° optic) NL No Lens* *(Not available for IP64 Wet Location, or Warm Dim)

## SHALLOW REGRESS / WALLWASH REPLACEMENT OPTICS

Interchangeable optics accessible through fixture aperture.

### STATIC WHITE

- RO-50-15-S** 15° optic
- RO-50-20-S** 20° optic
- RO-50-25-S** 25° optic
- RO-50-40-S** 40° optic
- RO-50-60-S** 60° optic
- RO-50-WW-S** Wallwash optic

### WARM DIM

- RO-50-20-W2** 20° optic
- RO-50-25-W2** 25° optic
- RO-50-40-W2** 40° optic
- RO-50-60-W2** 60° optic
- RO-50-WW-W2** Wallwash optic

### TUNABLE WHITE

- RO-50-15-T** 15° optic
- RO-50-20-T** 20° optic
- RO-50-25-T** 25° optic
- RO-50-40-T** 40° optic
- RO-50-WW-T** Wallwash optic

## REPLACEMENT SUCTION TOOL

One included with every six fixtures designated Wet location.

- F4-TOOL-SUCTION** Allows for removal of baffle with Wet location

## EMERGENCY LIGHTING - REMOTE MOUNT ONLY

During disruption of main power, emergency battery inverter provides temporary 120V or 277V to fixture.

- EMB-S-25-120/277-LEDX** 25 watt max capacity, 120 or 277 VAC 60Hz, Non-Dimmable
- EMB-S-100-120-LEDX** 100 watt max capacity, 120 VAC 60Hz, 0-10V Dimmable
- EMB-S-100-277-LEDX** 100 watt max capacity, 277 VAC 60Hz, 0-10V Dimmable
- EMB-S-250-120/277-LEDX** 250 watt max capacity, 120 or 277 VAC 60Hz, 0-10V Dimmable

**\*SHUNT REQUIRED FOR USE WITH ATHENA AND CASAMBI CONTROLS, CONSULT FACTORY FOR DETAILS.**

# FRAXION3 REMODEL SHALLOW REGRESS

 PERFORMANCE - 3000K

LUMEN PACKAGE	WATT-AGE	10° OPTIC NO SOFT FOCUS LENS		15° OPTIC SOFT FOCUS LENS		20° OPTIC SOFT FOCUS LENS		25° OPTIC SOFT FOCUS LENS		40° OPTIC SOFT FOCUS LENS		60° OPTIC SOFT FOCUS LENS		85° OPTIC WIDE DISTRIBUTION		WW OPTIC WALLWASH LENS	
		DLVD	LPW	DLVD	LPW	DLVD	LPW	DLVD	LPW	DLVD	LPW	DLVD	LPW	DLVD	LPW	DLVD	LPW
80S06A	06	-	-	605	101	690	115	662	110	630	105	667	111	510	85	634	105
80S11A	11	-	-	973	88	1109	101	1065	97	1013	92	1071	97	821	75	1012	92
80S15A / C	15	633	42	1315	88	1499	100	1439	96	1369	91	1447	96	1109	74	1378	92
80S21A	21	-	-	1803	86	2024	96	1942	92	1848	88	1953	93	1497	71	1861	89
90S06A	06	-	-	520	87	592	99	569	95	541	90	572	95	438	73	545	91
90S11A	11	-	-	836	76	953	87	915	83	870	79	920	84	705	64	876	80
90S15A / C	15	544	36	1130	75	1288	86	1236	82	1176	78	1243	83	953	64	1184	79
90S21A	21	-	-	1526	73	1739	83	1669	79	1588	76	1678	80	1286	61	1598	76
97S06A	06	-	-	456	76	520	87	499	83	475	79	502	84	385	64	478	80
97S11A	11	-	-	734	67	837	76	803	73	764	69	808	73	619	56	769	70
97S15A / C	15	469	31	992	66	1131	75	1085	72	1033	69	1091	73	836	56	1040	69
97S21A	21	-	-	1339	64	1527	73	1465	70	1394	66	1473	70	1129	54	1403	67
90W10A (27K-18K)	10	-	-	-	-	757	69	707	64	688	63	698	63	530	48	592	54
90W10A (30K-18K)	10	-	-	-	-	766	70	729	66	710	65	737	67	541	49	600	55
90W15A (27K-18K)	15	-	-	-	-	1046	70	988	66	960	64	981	65	746	50	841	56
90W15A (30K-18K)	15	-	-	-	-	1071	71	1020	68	993	66	1030	69	783	52	852	57
90T17A (50K-27K)	17	-	-	963	57	1097	65	1053	62	1002	59	1059	62	812	48	1009	59
90T17A (40K-18K)	17	-	-	966	57	1101	65	1057	62	1002	59	1063	63	814	48	1012	60

### MAX UNIFIED GLARE RATING

10° OPTIC NO LENS	15° OPTIC SOFT FOCUS LENS	20° OPTIC SOFT FOCUS LENS	25° OPTIC SOFT FOCUS LENS	40° OPTIC SOFT FOCUS LENS	60° OPTIC SOFT FOCUS LENS	85° OPTIC WIDE DISTRIBUTION	WW OPTIC WALLWASH LENS
<10	>19	<13	<13	<16	>19	>19	>19

### OUTPUT MULTIPLIER

CCT	CCT SCALE
2400K	0.85
2700K	0.97
3000K	1.00
3500K	1.03
4000K	1.08

### TUNABLE WHITE MULTIPLIER

CCT	5000K-2700K	4000K-1800K
5000K	1.16	-
4000K	1.08	1.14
3500K	1.04	1.07
3000K	1.00	1.00
2700K	0.96	0.92
2400K	-	0.84
1800K	-	0.69

### MEDIA LIGHT LOSS FACTOR

MEDIA	LIGHT LOSS FACTOR
NO LENS	1.06
CGL	1.00
SFL	1.00
FGL	0.89
FSFL	0.81
FLSL	0.82

# FRACTION3 REMODEL SHALLOW REGRESS

## WARM DIM PERFORMANCE - 20° OPTIC - SOFT FOCUS LENS

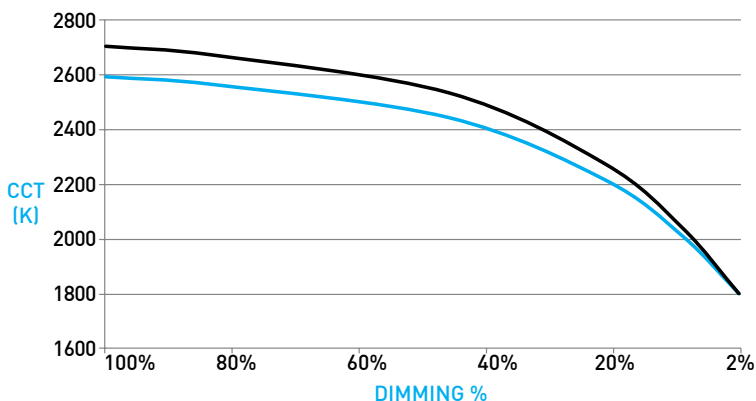
INCANDESCENT PROFILE

90W10AL 2700K - 1800K	Full on 100%	Dimmed to 80%	Dimmed to 70%	Dimmed to 50%	Dimmed to 20%	Dimmed to 10%	Dimmed to 2%
CCT (K)	2600	2550	2520	2450	2200	1925	1800
Light Output (Lm)	757	605	529	378	151	75	15
Power (W)	10	8	7	5	2	1	.2
Efficacy (LPW)	69	69	69	69	69	69	69
90W15AL 2700K - 1800K	Full on 100%	Dimmed to 80%	Dimmed to 70%	Dimmed to 50%	Dimmed to 20%	Dimmed to 10%	Dimmed to 2%
CCT (K)	2700	2650	2620	2520	2180	1950	1800
Light Output (Lm)	1046	836	732	523	209	104	20
Power (W)	15	12	10.5	7.5	3	1.5	0.3
Efficacy (LPW)	70	70	70	70	70	70	70

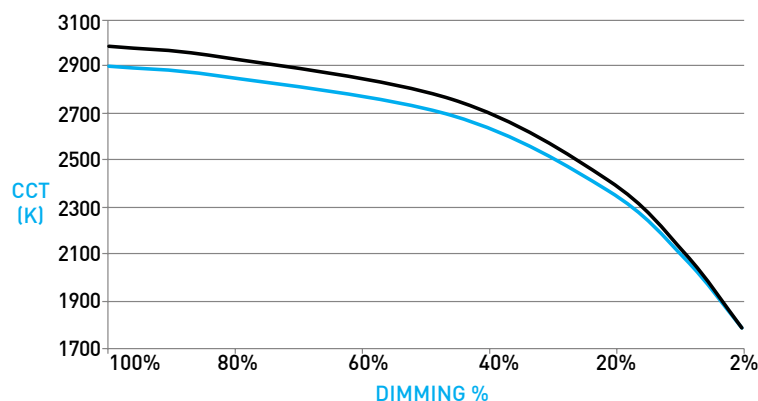
HALOGEN PROFILE

90W10AD 3000K - 1800K	Full on 100%	Dimmed to 80%	Dimmed to 70%	Dimmed to 50%	Dimmed to 20%	Dimmed to 10%	Dimmed to 2%
CCT (K)	2900	2850	2800	2720	2350	1975	1800
Light Output (Lm)	766	612	536	383	153	76	15
Power (W)	10	8	7	5	2	1	.2
Efficacy (LPW)	70						
90W15AD 3000K - 1800K	Full on 100%	Dimmed to 80%	Dimmed to 70%	Dimmed to 50%	Dimmed to 20%	Dimmed to 10%	Dimmed to 2%
CCT (K)	3000	2950	2920	2775	2375	2000	1800
Light Output (Lm)	1071	856	749	535	214	107	21
Power (W)	15	12	10.5	7.5	3	1.5	0.3
Efficacy (LPW)	71	71	71	71	71	71	71

10W / 15W



10W / 15W



# FRAXION3 REMODEL SHALLOW REGRESS

## DOWNLIGHT

### A ADJUSTABILITY

Hot-aim tilt up to 40° and 361° rotation with 5° tilt increment indicators. Sliding pivot point optimizes center beam, ensuring unclipped beam of 15° at 40° tilt and 25° at 30° tilt.

### B RETENTION

Integrated metal arm clamps located within fixture body allow discreet flange design, while accommodating varying ceiling thicknesses from 0.25" to 1.50". Snap-on spacer clips (2X) supplied for ceiling thickness below 0.50" only.

### C OPTIC

Robust light engine with optimized optic pairing integrates Reflection, Refraction, and TIR offering wallwash, 10°, 15°, 20°, 25°, 40° & 60° beams.

### D 10° FIELD REDUCER

Included with 10° optic. Reduces field angle by 30%

### E ADJUSTABLE HCL ASSEMBLY

Honeycomb Louver and Soft Focus Lens attach directly to optic with clip-on lens retainer and adjusts with fixture. Only compatible with no lens baffle. Dry/Damp locations only. Specified as "HS" Effects Device

### F MICROFLANGE PROFILE

Provides industry standard 11mm total contractor [goof] allowance with 7mm flange. Thickness measures 1.5mm. IP64 Wet location features integral silicone gasket.

### G TRIMLESS GYPSUM PROFILE

Installs totally flush with the ceiling with no visible trim. Features integrated appliqué for plaster floating directly to the baffle. Not recommended for stucco applications.

### H EFFECTS DEVICES / LENS RETAINER

Fixture is limited to 1 effects device. Wet location effects device is sealed in place. Suction tool provided for removal of baffle with wet location. Lens retainer allows effects devices to be changed in Dry/Damp locations.

### I ROUND / SQUARE BAFFLE

Die-cast removable baffle provides easy access to tilting mechanism and features 64° glare cutoff. Minimizes aperture glare and conceals view into housing; includes gasket.

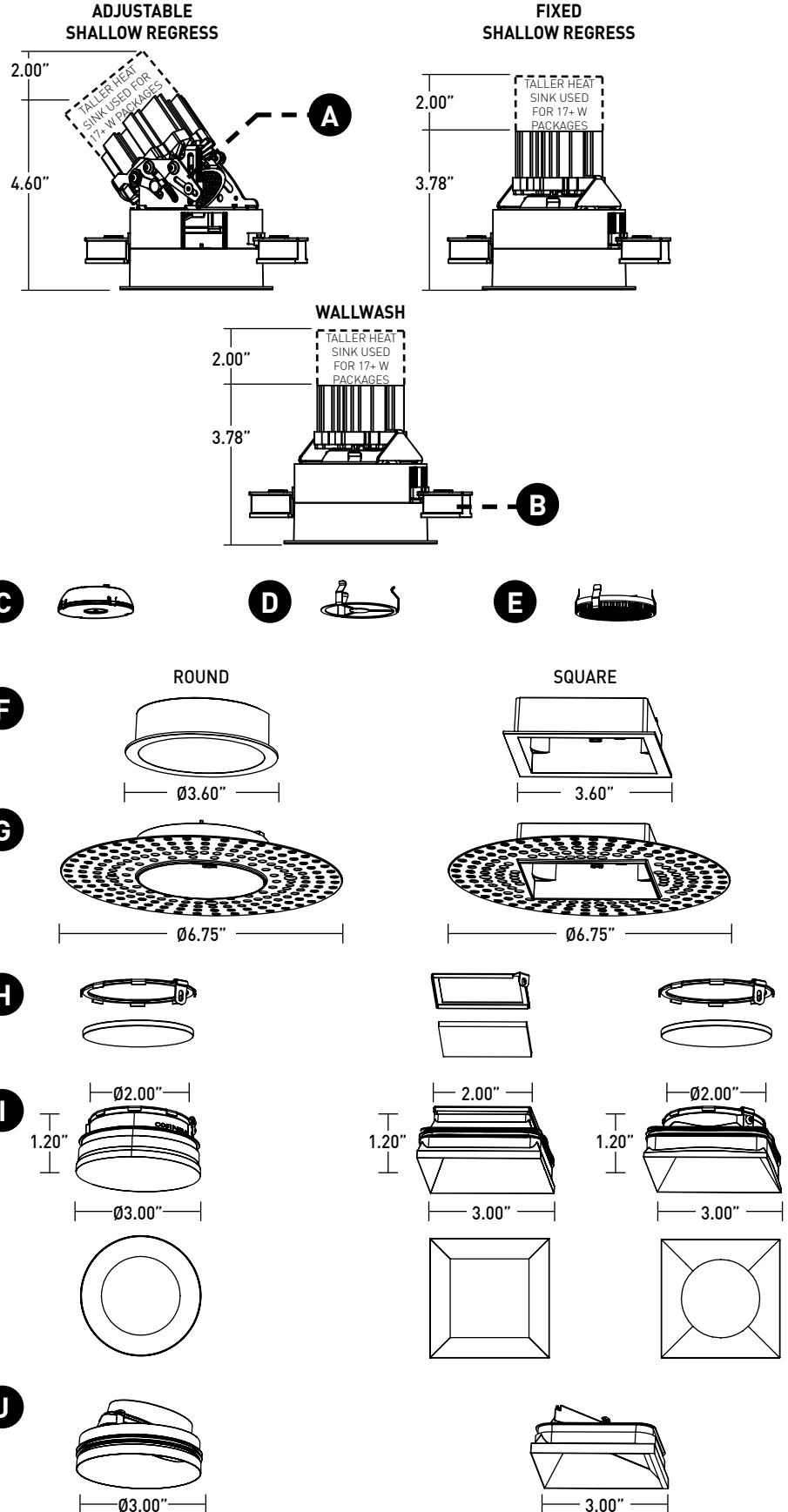
### SQUARE TRANSITIONAL BAFFLE

Die-cast removable baffle provides easy access to tilting mechanism and features 64° glare cutoff. Transitions from square aperture at ceiling plane to round aperture at light source. Minimizes aperture glare and conceals view into housing; includes gasket.

### J WALLWASH BAFFLE / MEDIA

Die-cast baffle minimizes aperture glare and conceals view into housing; includes gasket. Asymmetrical spread lens, included and sealed in place, combined with angled optic and wide aperture enhance uniformity. Suction tool provided for removal of baffle.

## DIMENSIONS / DRAWINGS



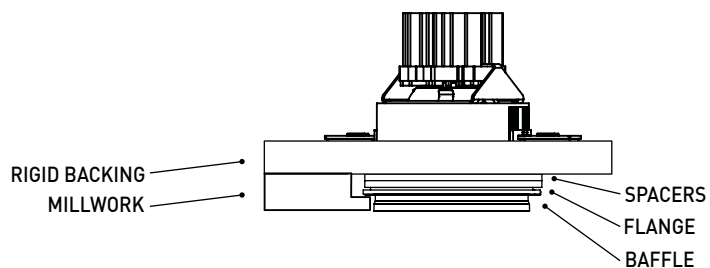
# FRACTION3 REMODEL SHALLOW REGRESS

## DOWNLIGHT

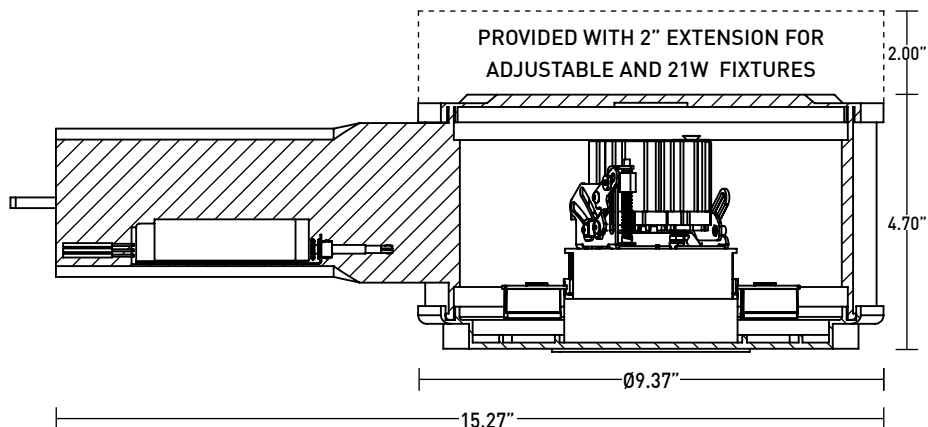
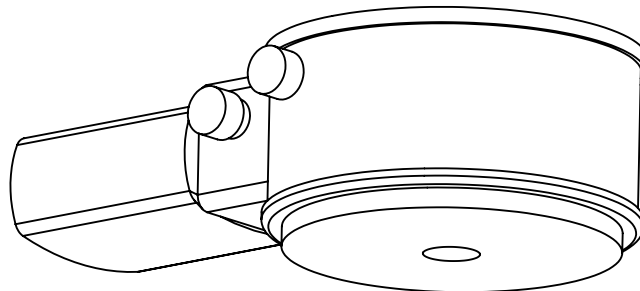
- K TRIMLESS MILLWORK PROFILE / SPACERS**  
No visible flange, installs totally flush with millwork. Requires rigid backing for installation. Includes (1) 1/16" spacer and (5) 1/8" spacers.
- L CONCRETE POUR HOUSING / PROFILE**
  - Provided with install types "KC and KR".
  - Ships separate from downlight and power supply
  - Features 4 conduit entries compatible with 3/4" and 1" ENT.
  - Features tunnel for integral power supply installation.

## DIMENSIONS / DRAWINGS

**K**



**L**



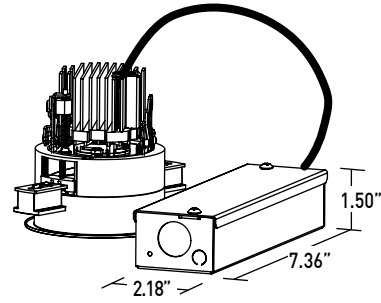
# FRACTION3 REMODEL SHALLOW REGRESS

## REMODEL POWER SUPPLY

### M REMODEL WITH NON-IC TETHERED POWER SUPPLY

- Requires 3-3/8" cutout.
- Tethered power supply with protected wiring between fixture and power supply.
- Minimum 0.75" clearance from top of fixture.
- Minimum setback from combustible and non-combustible materials of 6.61" radius from fixture centerline; minimum 3.00" from surfaces of power supply if not situated within above noted radius from fixture centerline.
- Minimum additional 3.00" setback from insulation material with max R-Value 30 from any surface of downlight fixture assembly.
- Minimum additional 6.00" setback from polycell spray foam insulation with max R-Value 60 from any surface of downlight fixture assembly.
- Consult factory for spacing requirements for any installations exceeding R-Value 60.
- Do not install in environments where ambient temperatures exceed 40°C (104°F).

M

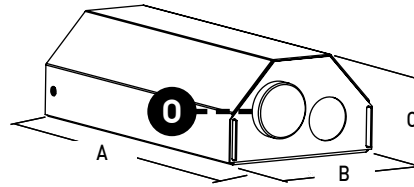


## REMOTE POWER SUPPLY

### N REMOTE APPLICATIONS

- Provided with install type "RR".
- Requires plenum rated Class 2 cable between fixture and remote driver. Cable supplied by others.
- See page 8 for maximum allowable wiring distance.
- Must be installed in an accessible location
- Do not install in environments where ambient temperatures exceed 40°C (104°F).

N



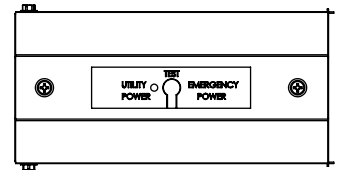
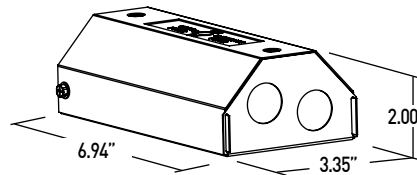
	A	B	C
STATIC WHITE / WARM DIM	6.94"	3.35"	2.00"
TUNABLE WHITE	8.10"	5.00"	2.00"
ATHENA / CASAMBI CONTROLLED	8.10"	5.00"	2.00"

### REMOTE ELDOLED TUNABLE WHITE DRIVERS

TUNABLE WHITE REMOTE (120-277V)	
DG1	eldoLED, DUALdrive 0.1% 0-10V, LOG
DN1	eldoLED, DUALdrive 0.1% 0-10V, LIN
DD2	eldoLED, DUALdrive 0.1% DALI-2, LOG
AD1/ADR	Athena Control eldoLED, DUALdrive, 0.1%*
*Includes Athena Node. Extended lead time, consult factory. ADR includes shunt!	
CD1/CDR	Casambi Control eldoLED, DUALdrive, 0.1%*
*Includes Casambi Node. Extended lead time, consult factory. CDR includes shunt!	

P

### ATHENA / CASAMBI EM SHUNT



### O ATHENA / CASAMBI CONTROL

Controls integrated into remote driver assembly. All equipment is serviceable.

Athena Model Numbers: A-WN-D01-RF-BL & DFC-OEM-DBI

Casambi Model Number: BT-S1E1-5400

### P ATHENA / CASAMBI EM SHUNT

Included with drivers specified as ASR, ATR, CSR, or CTR. One required for each wireless EM fixture, requires class 2 control wiring between fixture and shunt. Features integrated test switch.

Model Number: PS-RMT-SHUNT

# FRACTION3 REMODEL SHALLOW REGRESS

## TECHNICAL

### CONSTRUCTION

**Downlight:** Painted finishes are granulated powder coat. Forged aluminum heat-sink.

**Remote Power Supply:** 22 Gauge galvanized steel.

**Appliqué:** Zinc alloy.

### STATIC WHITE LED

2-step MacAdam ellipse LED module available in 80+, 90+ and 97+ CRI configurations in color temperatures of 2700K, 3000K, 3500K and 4000K. 3-step MacAdam ellipse LED module available in 90+ CRI configuration in color temperature of 2400K. Average rated lamp life of 50,000 hours. LED and driver assemblies are field-replaceable.

### WARM DIM LED

3-step MacAdam ellipse warm dim LED module available in 90+ CRI configuration. 3000K or 2700K at full brightness, warming to 1800K at full dim. Average rated lamp life of 50,000 hours. LED and driver assemblies are field-replaceable.

### TUNABLE WHITE LED

3-step MacAdam ellipse tunable white LED module available in 90+ CRI configuration. Features tuning ranges of 1800K to 4000K and 2700K to 5000K. Average rated lamp life of 50,000 hours. LED and driver assemblies are field-replaceable.

### POWER SUPPLY PERFORMANCE AND DIMMING INFORMATION

	PHASE		0-10V					ECO	DALI-2		ATHENA		CASAMBI	
Power Supply	PH1	SG3	SN3	EG1	EN1	DG1	DN1	LP1	ED1	DD1	AS1	AD1	CS1	CD1
Minimum °C	-20 °C	-20 °C	-20 °C	-20 °C	-20 °C	-20 °C	-20 °C	0 °C	-20 °C	-20 °C	0 °C	0 °C	-20 °C	-20 °C
Maximum °C	40 °C	40 °C	40 °C	40 °C	40 °C	40 °C	40 °C	40 °C	40 °C	40 °C	40 °C	40 °C	40 °C	40 °C
Dimming %	2.0%	1.0%	1.0%	0.1%	0.1%	0.1%	0.1%	0.1%	0.1%	0.1%	0.1%	0.1%	0.1%	0.1%

Note: For PH1, LP1, EG1 and EN1 drivers consult chart on page 9 to confirm appropriate dimming curve for compatibility with selected control.

### MAXIMUM ALLOWABLE REMOTE DRIVER WIRING DISTANCES

DRIVER	WIRE AWG				
	12	14	16	18	20
PH1	285'	180'	113'	71'	45'
LP1	60'	40'	25'	15'	-
EG1, EN1, ED1, DG1, DN1, DD2, AS1, AD1, CS1, CD1	-	-	118'	72'	46'

### WALLWASH SPACING

Recommended fixture spacing is 36" (914mm) on center with 36" (914mm) setback from wall plane.

### LISTING

cTUVus listed to UL1598 standard for Dry / Damp and Wet locations. NEMA 410 Compliant.

### BUY AMERICAN ACT

All Fraxion3 Slim Wallwash configurations are Buy American Act compliant.

### DECLARE

LBC Red List Approved.

### WEIGHT

Fixture - 3 lbs max

Remote Driver - 1.4 lbs

## LIMITED WARRANTY

Manufacturer's Limited Warranty guarantees product(s) listed to be free from defects in material and workmanship under normal use and service for 1-year. LED and power supplies are warranted to operate with 70% of original flux and remain within a range of 3 duv for a period of 5-years. 10-year Lutron Advantage limited warranty available on Lutron equipped systems. Warranty period begins from the date of shipment by Seller. [Consult website for full warranty terms and conditions.](#)





# FRACTION3 REMODEL SHALLOW REGRESS

## DIMMING COMPATIBILITY

### PHILIPS DRIVER COMPATIBILITY

Power supply PH1 Manufacturer	Family/Model #
Lutron Electronics	DV-600P
Lutron Electronics	DVELV-303P
Lutron Electronics	NTELV-600
Lutron Electronics	MAELV-600
Lutron Electronics	SELV-300P
Lutron Electronics	DVLV-600P
Lutron Electronics	NFTU-5A
Lutron Electronics	CTCL-153P
Lutron Electronics	GL-600H
Lutron Electronics	S-600P
Lutron Electronics	PHPM

### LUTRON DRIVER COMPATIBILITY

Power supply LP1 Lutron Product Family	Part No.
PowPak Dimming Modules	RMJ-EC032-DV-B
PowPak Dimming Modules	FCJ/FCJS-ECO
Energi Savr Nodes	QSN-1ECO-S
GRAFIK Eye QS control unit	QSN-2ECO-S
Homeworks QS control unit	QSGRJ- E (wireless)
GRAFIK Eye QS control unit	QSGR- E
Homeworks QS control unit	QSGR- E
Quantum Hub	QP2-__ 2C
Quantum Hub	QP2-__ 4C
Quantum Hub	QP2-__ 6C
Quantum Hub	QP2-__ 8C
Homeworks QS power module	LQSE-2ECO-D
myRoom Plus power module	



### eldoLED DRIVER COMPATIBILITY

Power supply EG1 / SG3 Manufacturer	Family/Model #
Busch-Jaeger	2112U-101
Jung	240-10
Leviton Lighting Controls	IP710-DLX
Lightolier Controls	ZP600FAM120
Merten	5729
Pass & Seymour	CD4FB-W
The Watt Stopper	DCLV1
Synergy	ISD BC
Crestron®	GLX-DIMFLV8
Crestron®	GLXP-DIMFLV8
Crestron®	GLPAC-DIMFLV4-*
Crestron®	GLPAC-DIMFLV8-*
Crestron®	GLPP-DIMFLVEX-PM
Crestron®	GLPP-1DIMFLV2EX-PM
Crestron®	GLPP-1DIMFLV3EX-PM
Crestron®	DIN-A08
Crestron®	DIN-4DIMFLV4
Crestron®	CLS-EXP-DIMFLV
Crestron®	CLCI-1DIMFLV2EX
Power supply EN1 / SN3 Manufacturer	Family/Model #
Lutron Electronics	Nova T® - NTFTV
Lutron Electronics	Diva® - DVTV
Lutron Electronics	Nova® - NFTV
Lutron Electronics	GrafixEye® GRX-TVI w GRX3503
Lutron Electronics	Energy Savr Node™ - QSN-4T16-S
Lutron Electronics	TVM2 Module
Sensor Switch	nIO EZ
ABB	SD/S 2.16.1

## ANALOG DRIVERS AND DIMMERS

