

# CYLINDER 3 ADJUSTABLE SUSPENDED MOUNT

In Q1 2024 we will begin shipping the CD3X in place of the current CD3. This enhanced fixture features dimensions of Ø3.9" x 8.4", lumen outputs up to 3361 lm delivered, more finish options, additional wet location options and 90° tilt standard. We will continue to receive orders for the CD3 through the end of 2023. See Page 2 for fixture comparison.

PROJECT NAME:	TYPE:
---------------	-------



## ORDERING INFORMATION - CYLINDER

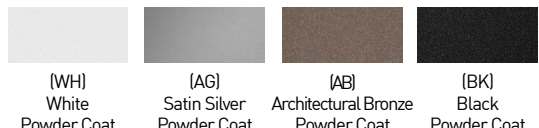


Quick Ship Product. All rough in components ship within 10 days up to quantities of 100.



JA8-2019 COMPLIANCE INDICATED BY SHADING

CYLINDER	LENGTH	FIXTURE	RATING	CYLINDER FINISH	LUMEN PACKAGE	CCT	OPTIC	DRIVER	EFFECTS DEVICE	MOUNTING
CD3			1							
<b>Dropkit® STEM ASSEMBLY</b> CD3 3.25"	043 2" - 43" Mechanical Dropkit Stem 086 45" - 86" Mechanical Dropkit Stem 129 88" - 129" Mechanical Dropkit Stem 172 131" - 172" Mechanical Dropkit Stem *All lengths are field cuttable)	AD Standard 70° 9D Max 90° Tilt* *(Increased lead time) AS Standard 70° Shallow Canopy* *(Remote driver only; increased lead time) 9S Max 90° Tilt Shallow Canopy* *(Remote driver only; increased lead time) AW Adjustable Wallwash 70°* *(Not available for Wet location or Tunable White)	1 Dry/Damp	<b>WH</b> White <b>AG</b> Satin Silver* *(Increased lead time) <b>AB</b> Architectural Bronze* *(Increased lead time) <b>BK</b> Black <b>CF</b> Custom Finish* *(Consult Factory)	<b>LOW FLUX STATIC WHITE</b> 80C19A 80+ CRI AD / 9D / AS / 9S Dlvld. Lumens - 1202 AW Dlvld. Lumens - 863 80C25A 80+ CRI AD / 9D / AS / 9S Dlvld. Lumens - 1602 AW Dlvld. Lumens - 1151 90C15A 90+ CRI AD / 9D / AS / 9S Dlvld. Lumens - 1030 AW Dlvld. Lumens - 740 90C20A 90+ CRI AD / 9D / AS / 9S Dlvld. Lumens - 1373 AW Dlvld. Lumens - 987 97C14A 97+ CRI AD / 9D / AS / 9S Dlvld. Lumens - 921 AW Dlvld. Lumens - 662 97C19A 97+ CRI AD / 9D / AS / 9S Dlvld. Lumens - 1228 AW Dlvld. Lumens - 883	22 2200K* *(Only available for 90+ CRI) 27 2700K 30 3000K 35 3500K 40 4000K	10 10°* *(Only available for 80C12A, 90C10A, and 97C09A. Not available for 2200K) 15 15° 25 25° 40 40° 60 60° WW Wall-wash* *(Required and only available for AW fixture)	<b>INTEGRAL</b> CA2 120-277V 0-10V Analog* *(Not available for use with emergency batteries / generators, consult factory for details) CE3 120V Electronic ELV Forward / Reverse Phase <b>REMOTE (120V)</b> TR2 Philips, 2% Leading / Trailing / Triac* *(Only available for 80C19A, 90C15A, 97C14A, and Warm Dim) L23 Lutron, Hi-Lume 1% 2-Wire <b>REMOTE (120-277V)</b> LH1 Lutron, Hi-Lume Ecosystem 1% Fade to Black LP1 Lutron, Hi-Lume Premier Ecosystem 0.1% Fade to Black AN4 Philips Xitanium 1% 0-10V, LOG LN2 Philips Xitanium 1% 0-10V, LIN EA2 eldoLED, SOLOdrive 0.1% 0-10V, LOG LA2 eldoLED, SOLOdrive 0.1% 0-10V, LIN ED1 eldoLED, SOLOdrive 0.1% DALI, LOG LD1 eldoLED, SOLOdrive 0.1% DALI, LIN	<b>STANDARD EFFECTS DEVICE</b> 4 Soft Focus Lens N No Lens* *(Standard for 10° optic. Not available for Wet location or Warm Dim) W Wallwash Lens* *(Required and only available for AW fixture) <b>ALTERNATE EFFECTS DEVICE</b> 2 Honeycomb Louver* *(Not available for Wet location or Warm Dim) 3 Clear Glass Lens* *(Not available for Warm Dim) 5 Frosted Glass Lens 6 Frosted Soft Focus Lens 7 Frosted Linear Spread Lens S Soft Focus Lens w/ Linear Spread Film C Clear Glass Lens w/ Linear Spread Film	<b>ROUGH-IN</b> JBMP 4" Sq. or 4/0 Junction Box Mounting Plate <b>FINISH OUT</b> SMK3 3/0 Surface Mount Kit SMK4 4/0 Surface Mount Kit CMJB 1/2" and 3/4" Conduit Ceiling Mount Junction Box* *(Quick Ship Product for WH and BK finishes only)
					<b>HIGH FLUX STATIC WHITE</b> 80C32A 80+ CRI AD / 9D / AS / 9S Dlvld. Lumens - 2092 AW Dlvld. Lumens - 1503 90C27A 90+ CRI AD / 9D / AS / 9S Dlvld. Lumens - 1792 AW Dlvld. Lumens - 1288 97C24A 97+ CRI AD / 9D / AS / 9S Dlvld. Lumens - 1603 AW Dlvld. Lumens - 1152	27 2700K 30 3000K 35 3500K* *(Not available for 97+ CRI) 40 4000K	15 15° 25 25° 40 40° 60 60° WW Wall-wash* *(Required and only available for AW fixture)			
					<b>WARM DIM</b> 90W11A 90+ CRI, Incandescent Profile AD / 9D / AS / 9S Dlvld. Lumens - 938 AW Dlvld. Lumens - 806 90W12A 90+ CRI, Standard Profile AD / 9D / AS / 9S Dlvld. Lumens - 1054 AW Dlvld. Lumens - 717 *SEE PAGE 4 FOR DETAILED WARM DIM PROFILE COMPARISON.	WL 2700K - 1800K WD 3000K - 1800K	25 25° 40 40° 60 60° WW Wall-wash* *(Required and only available for AW fixture)			
					<b>TUNABLE WHITE</b> 90T10A 90+ CRI, Delivered Lumens - 1104*	TW 5000K - 2700K	15 15° 25 25° 40 40° 60 60°			



### PART NUMBER NOTES

- CD3 Adjustable ships as e.g., CY3-AD-1-WH-90C20A2-3-RMT-4
- Stem Assembly ships as CY3-DK-(length)-(finish)
- Remote driver ships as e.g., PS-RMT-90C20A-1L23
- Mounting ships separate from fixture, part numbers listed on page 7.

\*ALL DELIVERED LUMEN OUTPUTS AND T24 COMPLIANCE REFLECT 3000K PAIRED WITH 60° / WW OPTIC AND STANDARD EFFECTS DEVICE. REFERENCE PAGE 4 FOR ADDITIONAL T24 COMPLIANT CONFIGURATIONS.



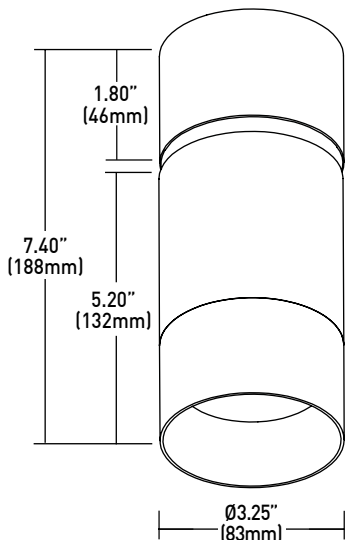
# CYLINDER 3 ADJUSTABLE SURFACE MOUNT

## FIXTURE COMPARISON

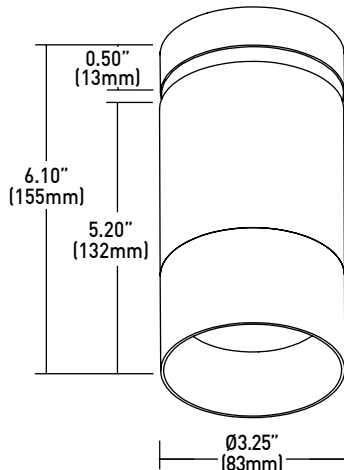
### CURRENT CD3

### NEW CD3X

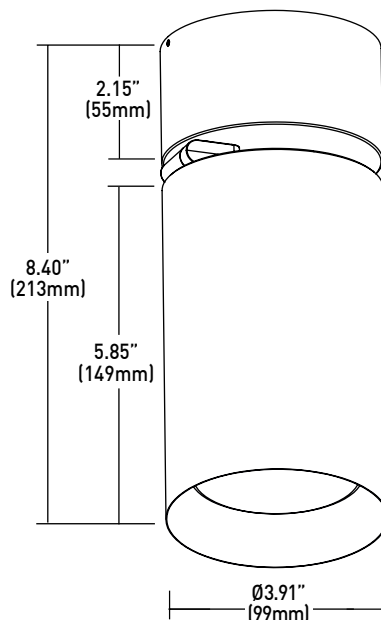
CD3-AD / 9D / AW



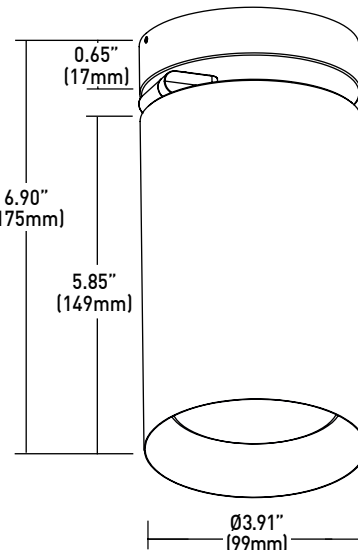
CD3-AS / 9S



CD3XAD / AW



CD3XAS



FIXTURE COMPARISON	CURRENT CD3	NEW CD3X
MAX DELIVERED LUMENS	2353	3361
STANDARD TILT	60° STANDARD / 90° MAX	90° STANDARD
ROTATION	357°	365°
FIXTURE FINISHES	POWDERCOAT	POWDERCOAT AND ALUMINA FINISHES BY LUCIFER LIGHTING™ (DROPKIT POWDERCOAT ONLY)
BAFFLE FINISHES	BLACK POWDERCOAT	POWDERCOAT AND ALUMINA FINISHES BY LUCIFER LIGHTING™ (DROPKIT POWDERCOAT ONLY)
EFFECTS DEVICES	1	2
DECLARE	DECLARE LISTED	DECLARE RED LIST APPROVED
BUY AMERICAN ACT	NO	YES

## ALUMINA FINISHES BY LUCIFER LIGHTING™



\*ALUMINA FINISHES ARE ANODIZED ALUMINUM

# CYLINDER 3 ADJUSTABLE SUSPENDED MOUNT

## ACCESSORIES

### ALTERNATE EFFECTS DEVICES

**HCL-CY3-03** Honeycomb Louver \*

\*(Not available for Wet location or Warm Dim)

**CGL-CY3-03** Clear Glass Lens \*

\*(Not available for Warm Dim)

**SFL-CY3-03** Soft Focus Lens

**FGL-CY3-03** Frosted Glass Lens

**FSFL-CY3-03** Frosted Soft Focus Lens

**FLSL-CY3-03** Frosted Linear Spread Lens

**SFL-LSL-CY3-03** Soft Focus Lens W/ Linear Spread Film

**CGL-LSL-CY3-03** Clear Glass Lens W/ Linear Spread Film

### LOW FLUX AND WARM DIM REPLACEMENT OPTICS

Interchangeable optics accessible by removing snoot or baffle. Not available for Wallwash fixtures.

**RO-70-15-1** 15° optic \*

\*(Not available for Warm Dim)

**RO-70-25-1** 25° optic

**RO-70-40-1** 40° optic

**RO-70-60-1** 60° optic

### HIGH FLUX AND TUNABLE WHITE REPLACEMENT OPTICS

Interchangeable optics accessible by removing snoot or baffle. Not available for Wallwash fixtures.

**RO-70-15-2** 15° optic

**RO-70-25-2** 25° optic

**RO-70-40-2** 40° optic

**RO-70-60-2** 60° optic

### Dropkit STEM EXTENSION

**RPS-DK-EXT-\*\*** 2" - 43" Stem Extension

\*\*Stem finish: Specify **WH** for white, **BK** for black, **AG** for satin silver or **AB** for architectural bronze.

### EMERGENCY LIGHTING - REMOTE MOUNT ONLY

Not available with CA2 driver, consult factory for details.

**EMB-S-20/25-120/277-LEDX** 20/25 watt max capacity, 120 or 277 VAC 60Hz

**EMB-S-100-120-LEDX** 100 watt max capacity, 120 VAC 60Hz

**EMB-S-100-277-LEDX** 100 watt max capacity, 277 VAC 60Hz

**EMB-S-250-120/277-LEDX** 250 watt max capacity, 120 or 277 VAC 60Hz

During disruption of main power, emergency battery inverter provides temporary 120V or 277V to fixture.

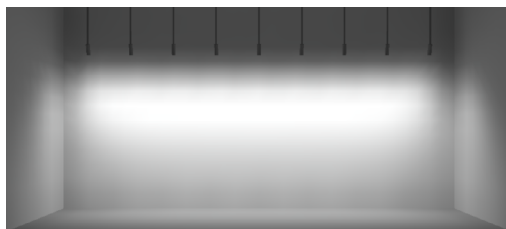
# CYLINDER 3 ADJUSTABLE SUSPENDED MOUNT

## WALLWASH DESIGN GUIDE



**8FT CEILING**

**36" SETBACK / 36" ON CENTER SPACING / 15° TILT**



**10FT CEILING**

**36" SETBACK / 36" ON CENTER SPACING / 15° TILT**



**12FT CEILING**

**36" SETBACK / 36" ON CENTER SPACING / 15° TILT**



**30" SETBACK / 30" ON CENTER SPACING / 10° TILT**

- AVERAGE FC: 25.57
- MAX / MIN: 5.16
- 10FT CEILING SHOWN / 8-12FT IDEAL
- 9 FIXTURES / 25FT WALL SHOWN



**RECOMMENDED**

**36" SETBACK / 36" ON CENTER SPACING / 15° TILT**

- AVERAGE FC: 23.14
- MAX / MIN: 4.43
- 10FT CEILING SHOWN / 8-12FT IDEAL
- 9 FIXTURES / 30FT WALL SHOWN



**42" SETBACK / 42" ON CENTER SPACING / 20° TILT**

- AVERAGE FC: 21.32
- MAX / MIN: 3.83
- 10FT CEILING SHOWN / 8-12FT IDEAL
- 9 FIXTURES / 35FT WALL SHOWN

### ADDITIONAL SETBACKS AND SPACINGS

ON CENTER SPACING	SETBACK / TILT		
	30" / 10° TILT	36" / 15° TILT	42" / 20° TILT
30"	SHOWN ABOVE	AVERAGE FC: 27.11 MAX / MIN: 4.75	AVERAGE FC: 28.57 MAX / MIN: 4.29
36"	AVERAGE FC: 21.80 MAX / MIN: 4.81	SHOWN ABOVE	AVERAGE FC: 24.45 MAX / MIN: 3.95
42"	AVERAGE FC: 19.03 MAX / MIN: 4.86	AVERAGE FC: 20.18 MAX / MIN: 4.20	SHOWN ABOVE

**\*ALL DATA REFLECTS 90C20A LUMEN PACKAGE**

# CYLINDER 3 ADJUSTABLE SUSPENDED MOUNT

## STATIC WHITE PERFORMANCE - 3000K

LUMEN PACKAGE	WATTAGE	10° OPTIC NO SOFT FOCUS LENS		15° OPTIC SOFT FOCUS LENS		20° OPTIC SOFT FOCUS LENS		40° OPTIC SOFT FOCUS LENS		60° OPTIC SOFT FOCUS LENS		WW OPTIC WALLWASH LENS	
		DELIVERED	LPW	DELIVERED	LPW	DELIVERED	LPW	DELIVERED	LPW	DELIVERED	LPW	DELIVERED	LPW
80C19A	17	1040	60	1352	80	1314	77	1127	66	1202	71	863	51
80C25A	24	-	-	1802	76	1752	73	1502	63	1602	67	1151	48
80C32A	33	-	-	2353	71	2288	69	1961	59	2092	63	1503	46
90C15A	17	882	51	1158	68	1127	66	905	53	1030	61	740	44
90C20A	24	-	-	1544	65	1502	63	1287	54	1373	58	987	41
90C27A	33	-	-	2016	61	1960	59	1680	51	1792	54	1288	39
97C14A	17	731	43	1037	61	1007	59	863	51	921	54	662	39
97C19A	24	-	-	1382	58	1343	56	1151	48	1228	51	883	37
97C24A	33	-	-	1804	55	1754	53	1503	46	1603	49	1152	35
90W11A	16	-	-	-	-	903	56	771	48	938	58	717	44
90W12A	16	-	-	-	-	1015	63	867	54	1054	65	806	50
90T10A	14	-	-	916	55	848	51	749	45	1104	66	971	58

OUTPUT MULTIPLIER	
CCT	CCT SCALE
2200K <small>(Consult factory for JA8 details)</small>	0.800
2700K	0.957
3000K	1.000
3500K	1.019
4000K	1.030

LIGHT LOSS FACTOR MULTIPLIER	
No Lens	1.05
SFL	1.00
CGL	1.00
FGL	0.90
FSFL	0.87
FLSL	0.83
SFL W/ LINEAR SPREAD	0.82
CGL W/ LINEAR SPREAD	0.82
HCL	0.65

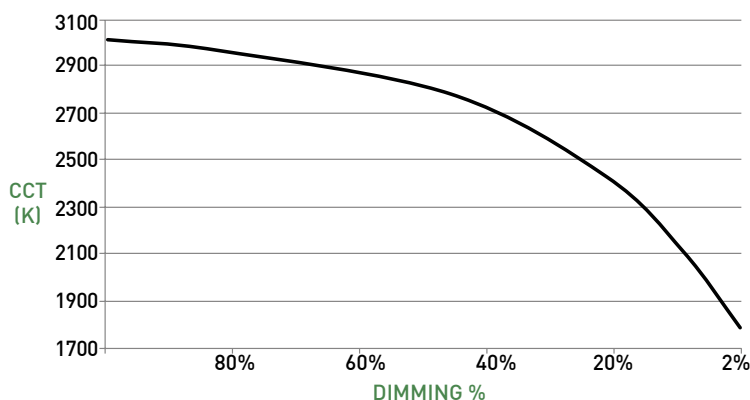


JA8-2019 INDICATED BY SHADING

## WARM DIM PERFORMANCE - SOFT FOCUS LENS - 60° OPTIC

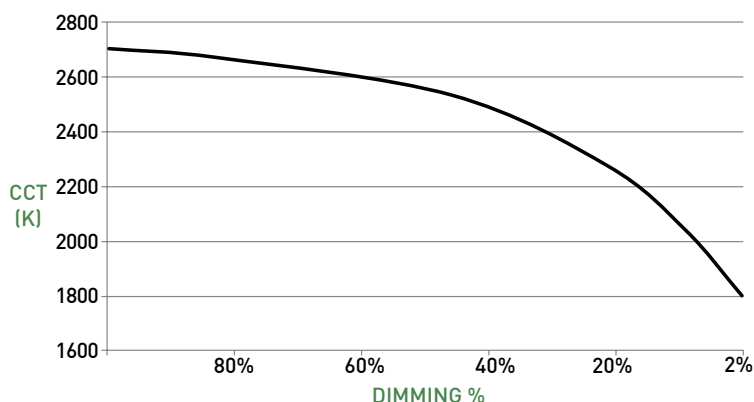
STANDARD WARM DIM PROFILE

90W12A 3000K - 1800K	Full on 100%	Dimmed to 80%	Dimmed to 70%	Dimmed to 50%	Dimmed to 20%	Dimmed to 10%	Dimmed to 2%
CCT (K)	3000	2950	2920	2775	2375	2000	1800
Light Output (Lm)	1054	843	737	527	210	105	21
Power (W)	14	11	10	7	3	1.5	0.3
Efficacy (LPW)	65	65	65	65	65	65	65



WARM DIM TO MIRROR INCANDESCENT DIMMING PROFILE

90W11A 2700K - 1800K	Full on 100%	Dimmed to 80%	Dimmed to 70%	Dimmed to 50%	Dimmed to 20%	Dimmed to 10%	Dimmed to 2%
CCT (K)	2700	2650	2620	2520	2180	1950	1800
Light Output (Lm)	938	750	656	469	187	93	18
Power (W)	16	13	11	8	3	1.7	0.3
Efficacy (LPW)	58	58	58	58	58	58	58

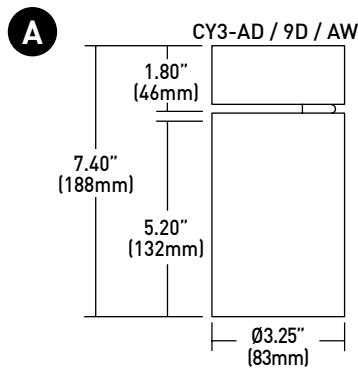


# CYLINDER 3 ADJUSTABLE SUSPENDED MOUNT

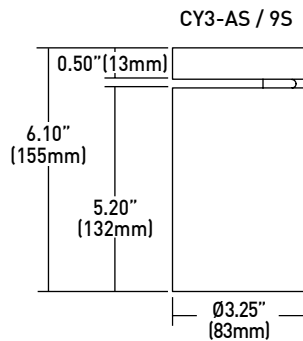
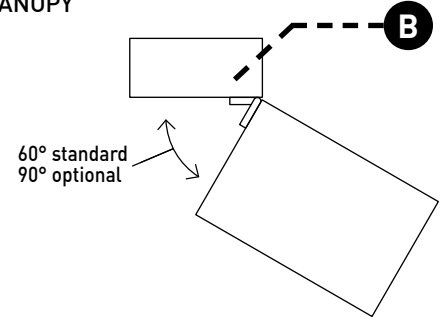
## Dropkit STEM ASSEMBLY

- A LUMINAIRE**  
Body with integrated heat sink and LED. Conceals hidden twist-on mounting hardware. Power supply may be integral or remote mount.
- B STANDARD CANOPY**  
Die-cast canopy accommodates flat and slope ceiling conditions. Conceals hidden twist-on mounting hardware. "AD" (60° tilt, 357° rotation) and "9D" (90° tilt, 357° rotation) canopy features 1.80" (46mm) tall canopy. Available with integral or remote driver.
- C SHALLOW CANOPY**  
Die-cast canopy accommodates flat and slope ceiling conditions. Conceals hidden twist-on mounting hardware. "AS" (60° tilt, 357° rotation) and "9S" (90° tilt, 357° rotation) canopy features 0.50" (13mm) tall canopy, reducing overall height. Requires remote power supply.
- D STANDARD OPTICS**  
Proprietary optics available in 10°, 15°, 25°, 40° & 60° beams.
- WALLWASH OPTIC**  
Precision tuned optic provides uniform wallwashing effect.
- E EFFECTS DEVICE**  
Fixture body and accepts 1 lens; soft focus lens, no lens or wallwash lens standard.
- F BAFFLE**  
Threaded removable cowling provides virtually seamless joint with fixture body.
- G Dropkit**
  - Field cuttable rigid stem for suspending fixture at desired height. Provides stable base to allow preferred fixture tilt, while maintaining vertical stem position.
  - Ball joint allows up to 45° tilt for sloped ceilings and can be locked once stem is positioned vertically.
  - Four 43" sections available; 172" maximum standard length.
  - Length adjustment occurs in lower canopy.
  - Wiring for kit provided by others.

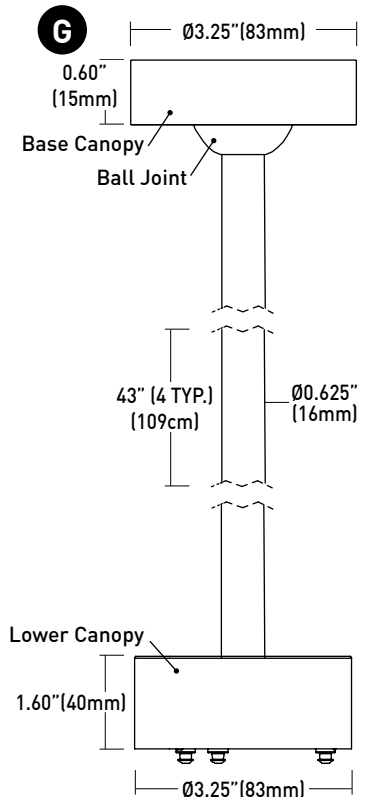
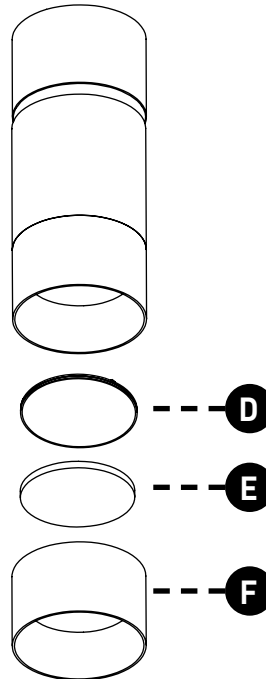
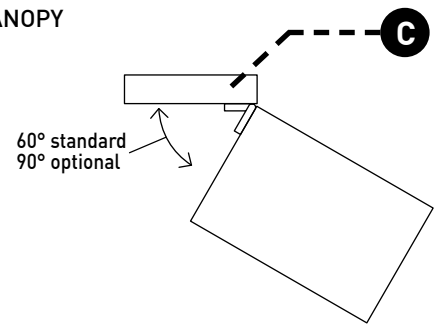
## DIMENSIONS / DRAWINGS



### STANDARD CANOPY



### SHALLOW CANOPY



# CYLINDER 3 ADJUSTABLE SUSPENDED MOUNT

## MOUNTING

- H JBMP**  
Mounting plate (concealed) for standard 4" square or 4" 4/0 j-box . To be installed during rough-in prior to substrate. Fixture to mount flush with minimalist transition to ceiling.  
Part Number - CY2/3-JBMP or CD-JBMP
- I SMK3**  
Surface mount kit includes mounting plate and 4" concealer plate that installs between fixture and standard 3" 3/0 j-box for existing applications where standard j-box cutout is to be concealed.  
Part Number - CY2/3-SMK-3/0-(FINISH) or CD-SMK-3/0-(FINISH)
- J SMK4**  
Surface mount kit includes mounting plate and 5" concealer plate that installs between fixture and standard 4" 4/0 j-box for existing applications where standard j-box cutout is to be concealed.  
Part Number - CY2/3-SMK-4/0-(FINISH) or CD-SMK-4/0-(FINISH)
- K CMJB**  
Ceiling mount junction box perfectly matches the cylinder profile for a continuous, integrated look where exposed ceiling mount junction box and conduit applications apply. For use with 1/2" and 3/4" EMT conduit only. Features two conduit entrances on either side and one conduit knockout on top of j-box. J-box is IP10 rated; painted finishes only. Blank off plugs included.  
Part Number - CY3-CMJB-(FINISH) or CD-CMJB-(FINISH)

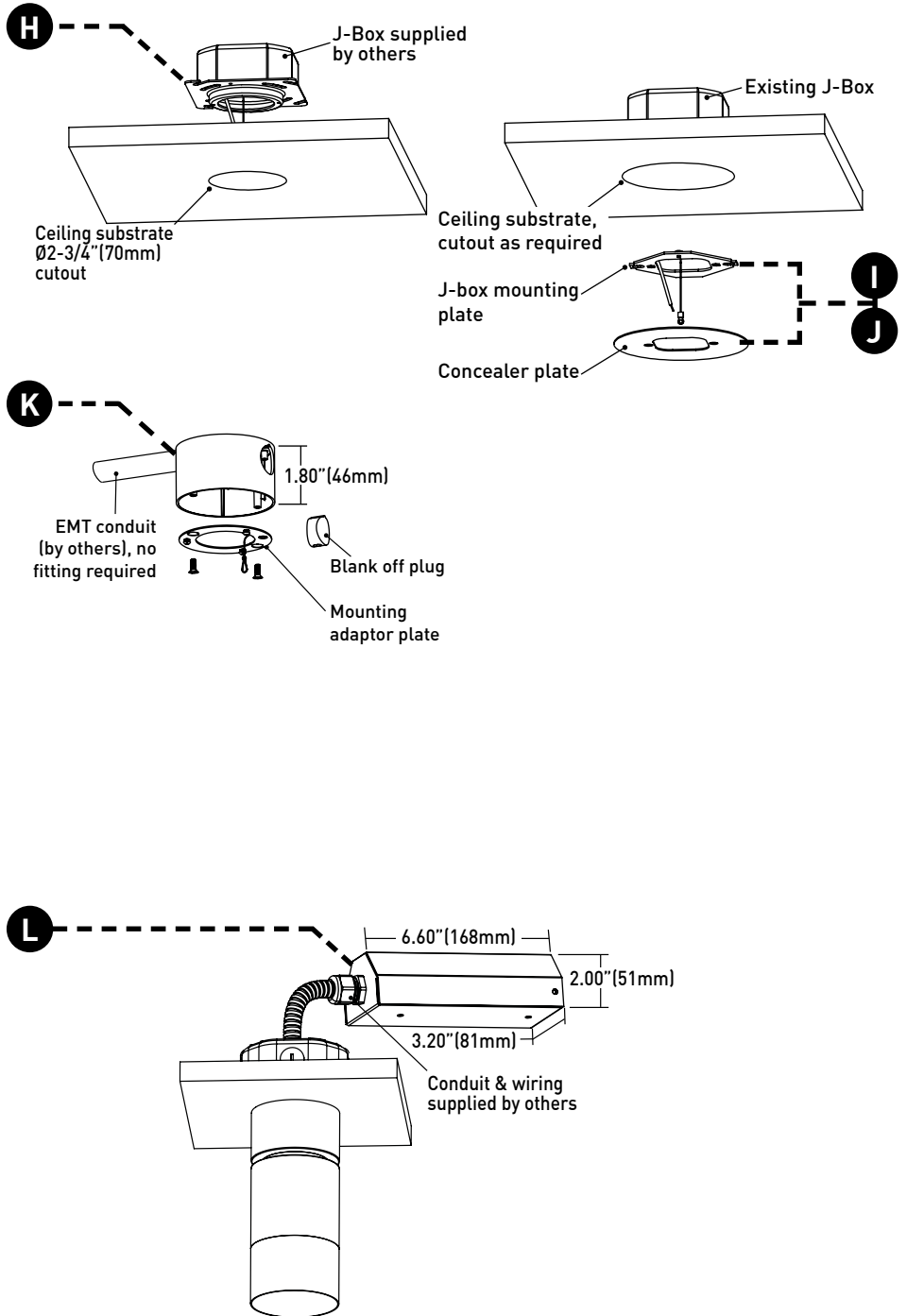
## MOUNTING NOTES

- JBMP and SMK-3/0 & 4/0 not recommended for use with pancake style j-box.
- Fixtures are surface mount and must have access to free air. For applications involving slat ceilings or confined mounting, consult Comprehensive Install Guide for required clearances for proper air flow and servicing.

## REMOTE POWER SUPPLY

- L PS-RMT**  
Remote power supply provides additional driver options. Mounting device still required. Consult page 8 for maximum allowable secondary run lengths between PS-RMT and cylinder.

## DIMENSIONS / DRAWINGS



# CYLINDER 3 ADJUSTABLE SUSPENDED MOUNT

## TECHNICAL

### CONSTRUCTION

**Cylinder:** Die-cast aluminum body; extruded aluminum internal heat-sink; painted finishes are granulated powder coat.

**CMJB:** Die-cast aluminum body; painted finishes are granulated powder coat.

**Remote Power Supply:** 22 Gauge galvanized steel.

### STATIC WHITE LED

2-step MacAdam ellipse LED module available in 80+, 90+ and 97+ CRI configurations in color temperatures of 2200K, 2700K, 3000K, 3500K and 4000K. Average rated lamp life: 50,000 hours. LED and driver assemblies are field-replaceable.

### WARM DIM LED

3-step MacAdam ellipse warm dim LED module available in 90+ CRI configuration. 3000K or 2700K at full brightness, warming to 1800K at full dim. Average rated lamp life of 50,000 hours. LED and driver assemblies are field-replaceable.

### TUNABLE WHITE LED

5-step MacAdam ellipse tunable white LED module available in 90+ CRI configuration. Features tuning range of 2700K to 5000K. Average rated lamp life of 50,000 hours. Driver assemblies are field-replaceable.

### POWER SUPPLY PERFORMANCE AND DIMMING INFORMATION

Power Supply	CA3	CE3	TR2	L23	LH1	LP1	AN4	LN2	EA2	LA2	ED1	LD1	DN1	DG1	DD1
Minimum °C	-20 °C	-20 °C	-20 °C	0 °C	0 °C	0 °C	-20 °C	-20 °C	-20 °C	-20 °C	-20 °C	-20 °C	-20 °C	-20 °C	-20 °C
Maximum °C	40 °C	40 °C	40 °C	40 °C	40 °C	40 °C	40 °C	40 °C	40 °C	40 °C	40 °C	40 °C	40 °C	40 °C	40 °C
Dimming %	1.0%	1.0%	2.0%	1.0%	1.0%	0.1%	1.0%	1.0%	0.1%	0.1%	0.1%	0.1%	0.1%	0.1%	0.1%

Note: For TR2, L23, LH1, LP1, AN4, LN2, EA2 and LA2 drivers consult chart on page 9 to confirm appropriate dimming curve for compatibility with selected control.

### MAXIMUM ALLOWABLE REMOTE DRIVER WIRING DISTANCES

DRIVER	WIRE AWG				
	12	14	16	18	20
TR2, AN4, LN2	285'	180'	113'	71'	45'
L23, LH1, LP1	60'	40'	25'	15'	-
EA2, LA2, ED1, LD1, DN1, DG1, DD1	-	-	118'	72'	46'

### WALLWASH SPACING AND TILT

Cylinder must be tilted to achieve wallwashing effect. Recommended fixture spacing is 36" (914mm) on center with 36" (914mm) setback from wall plane with 30° tilt.

### MOUNTING

Pendant is supplied with a mounting adaptor plate, which integrates with specified mounting component. Dropkit Stem integrates directly with specified mounting component. Both applications provide a minimalist transition from standard 4/0 or 4" square junction boxes and accommodating ceiling thicknesses of 0.44" (12mm) to 0.75" (19mm). Ceiling-mount junction box available for 1/2" (13mm) and 3/4" (19mm) conduit and feature concealed internal clamps for clean fitting-free conduit exit and entry.

### LISTING

cTUVus listed to UL1598 standard for Dry / Damp (IP14) locations. Title 24 JA8-2019 Listed.

### DECLARE

LBC Declared.

### FIXTURE WEIGHT

CD3 / Mounting - 5 lbs  
Remote Driver - 1.4 lbs

### LIMITED WARRANTY

Manufacturer's 1-year warranty guarantees product(s) listed to be free from defects in material and workmanship under normal use and service. 5-year warranty on LED and power supply to operate with 70% of the original flux and remain within a range of 3 duv. 10-year Lutron Advantage limited warranty available on Lutron equipped systems. Warranty period begins from the date of shipment by Seller and conditional upon the use of manufacturer-supplied power supply. Consult [website](#) for full warranty terms and conditions.

### CHANGE LOG

- 01/12/2021: ADDED 2200K, 2700K-1800K WARM DIM AND 10 DEGREE OPTIC OFFERINGS.
- 04/27/2021: ADDED LP1 DRIVER OFFERING.
- 11/17/2021: UPDATED 25° PHOTOMETRICS.
- 06/21/2022: ADDED SOFT FOCUS LENS W/ LINEAR SPREAD FILM, AND CLEAR GLASS LENS W/ LINEAR SPREAD FILM.
- 10/17/2022: REMOVED 90W13A 3200K-1800K WARM DIM AND ADDED 90W12A 3000K-1800K WARM DIM.
- 12/8/2022: ADDED TUNABLE WHITE OFFERING AND RESPECTIVE PERFORMANCE DATA.
- 04/26/2023: ADDED DECLARE LBC APPROVED.



# CYLINDER 3 ADJUSTABLE SUSPENDED MOUNT

## DIMMING COMPATIBILITY

### PHILIPS DRIVER COMPATIBILITY

Power supply <b>TR2</b> Manufacturer	Family/Model #
Lutron Electronics	DV-600P
Lutron Electronics	DVELV-303P
Lutron Electronics	NTELV-600
Lutron Electronics	MAELV-600
Lutron Electronics	SELV-300P
Lutron Electronics	DVLV-600P
Lutron Electronics	NFTU-5A
Lutron Electronics	CTCL-153P
Lutron Electronics	GL-600H
Lutron Electronics	S-600P
Lutron Electronics	PHPM
Power supply <b>AN4 / LN2</b> Manufacturer	Family/Model #
Lutron Electronics	DVTV plus PP-DV
Lutron Electronics	DVSCTV plus PP-DV
Lutron Electronics	DVSTV
Lutron Electronics	DVSCSTV
Lutron Electronics	QSGRJ-XP plus GRX-TVI
Lutron Electronics	QSGRJ-XE plus GRX-TVI
Lutron Electronics	QSGR-XE plus GRX-TVI
Lutron Electronics	NFTV plus PP-DV
Lutron Electronics	NTSTV
Lutron Electronics	RMJ-5T
Lutron Electronics	RMJS-8T
Lutron Electronics	FCJS-010
Leviton	IllumaTch IP7 series
Philips	Sunrise - SR1200ZTUNV

### LUTRON DRIVER COMPATIBILITY

Power supply <b>L23</b> Lutron Product Family	Part No.
Maestro WirelessR 600 W dimmer	MRF2-6ND-120-
Maestro WirelessR 1000 W dimmer	MRF2-10ND-120-
Caséta® Wireless Pro 1000 W dimmer	PD-10NXD-
GRAFIK T™ CL® dimmer	GT-250M- GTJ-250M-
HomeWorks® QS adaptive dimmer	HQRD-6NA-
HomeWorks® QS 600 W dimmer	HQRD-6ND-
HomeWorks® QS 1000 W dimmer	HQRD-10ND-
RadioRA® 2 adaptive dimmer	RRD-6NA-
RadioRA® 2 1000 W dimmer	RRD-10ND
myRoom™ DIN power module	MQSE-4A1-D
HomeWorks® QS DIN power module	LQSE-4A1-D
HomeWorks® QS wallbox power module	HQRJ-WPM-6D-120
HomeWorks® wallbox power module	HWI-WPM-6D-120
GRAFIK Eye® QS control unit	QSGR-, QSGRJ-
GRAFIK Eye® 3000 control unit	GRX-3100- GRX-3500-
RPM-4U module (LCP, HomeWorks® QS, GRAFIK Systems™, Quantum®)	HW-RPM-4U-120 LP-RPM-4U-120
RPM-4A module (LCP, HomeWorks® QS, GRAFIK Systems™, Quantum®)	HW-RPM-4A-120, LP-RPM-4A-120
GP dimming panels	Various
Ariadni CL 250W dimmer	AYCL-253P-
Diva CL 250W dimmer	DVCL-253P- DCSCCL-253P-
Nova T CL 250W dimmer	NTCL-250-
Power supply <b>LH1 / LP1</b> Lutron Product Family	Part No.
PowPak Dimming Modules	RMJ-ECO32-DV-B
PowPak Dimming Modules	FCJ/FCJS-ECO
Energi Savr Nodes	QSN-1ECO-S
GRAFIK Eye QS control unit	QSN-2ECO-S
Homeworks QS control unit	QSGRJ- _E (wireless) QSGR- _E
Quantum Hub	QP2-__ 2C
Quantum Hub	QP2-__ 4C
Quantum Hub	QP2-__ 6C
Quantum Hub	QP2-__ 8C
Homeworks QS power module	LQSE-2ECO-D
myRoom Plus power module	

### eldoLED DRIVER COMPATIBILITY

Power supply <b>EA2 / LA2</b> Dimmer / Switch Control Manufacturer	Family/Model #
Busch-Jaeger	2112U-101
Jung	240-10
Leviton Lighting Controls	IP710-DLX
Lightolier Controls	ZP600FAM120
Lutron Electronics	Nova T® - NTFTV
Lutron Electronics	Div@® - DVTV
Lutron Electronics	Nova@® - NFTV
Merten	5729
Pass & Seymour	CD4FB-W
The Watt Stopper	DCLV1
Sensor Switch	nI0 EZ
Synergy	ISD BC
Power supply <b>EA2 / LA2</b> Dimmer / Switch Control Manufacturer	Family/Model #
Dimmer / Switch Control Manufacturer	GrafixEye® GRX-TVI w GRX3503 Energy Savr Node™ - QSN-4T16-S
Lutron Electronics	TVM2 Module
Crestron®	GLX-DIMFLV8
Crestron®	GLXP-DIMFLV8
Crestron®	GLPAC-DIMFLV4-*
Crestron®	GLPAC-DIMFLV8-*
Crestron®	GLPP-DIMFLVEX-PM
Crestron®	GLPP-1DIMFLV2EX-PM
Crestron®	GLPP-1DIMFLV3EX-PM
Crestron®	DIN-A08
Crestron®	DIN-4DIMFLV4
Crestron®	CLS-EXP-DIMFLV
Crestron®	CLCI-1DIMFLV2EX
ABB	SD/S 2.16.1

