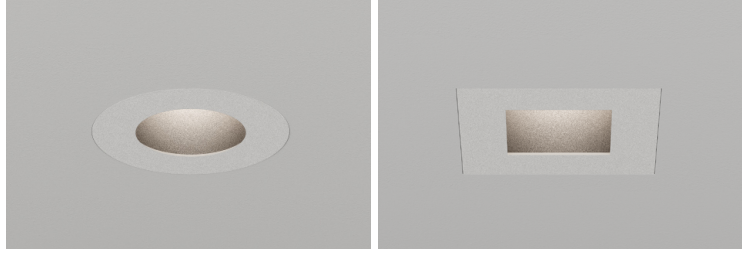


# ATOMOS™ 1 PINHOLE

## UNIVERSAL AND SLIM

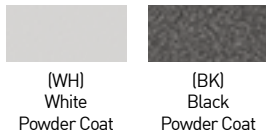
<b>PROJECT NAME:</b>	<b>TYPE:</b>
----------------------	--------------



A miniature downlight range offering impressive performance in an extremely small profile with a 1" aperture and 2" overall diameter.

### ORDERING INFORMATION - TRIM / HOUSING

TRIM	TRIM TYPE	RATING	TRIM FINISH	BAFFLE FINISH	FIXTURE TYPE	INSTALL TYPE	LUMEN PACKAGE	CCT	OPTIC	MEDIA	DRIVER
				<b>BK</b>							
A2RP 1" Round Pinhole	T Zero-Sightline Drywall	1 Dry / Damp (IP20)	WH White BK Black	BK Black	<b>5.5" UNIVERSAL HOUSING (SEPARATE TRIM AND HOUSING)</b> 1/2" - 2" MAX CEILING THICKNESS SEE PAGE 2 FOR T-GRID ACCESSORY		<b>STATIC WHITE</b> 8008D 80+ CRI AD/FD lm delivered - 276 SF lm delivered - 369	24 2400K* *(90+CRI Only)	10 10° (<13) *(For use with 09H lumen package only)	<b>STANDARD</b> 4 Soft Focus Film* *(Required for 10° optic)	<b>ALL INSTALL TYPES</b> PH 1% Forward / Reverse, 120V* *(Not available for 8008D, 8009H, 9007D, 9009H, or 9005D)
A2SP 1" Square Pinhole	W Zero-Sightline Millwork* *(Not available for Square A2SP, or remodel installations)	2 Wet (IP44)	CF Custom Finish* *(Consult Factory, Custom Finish applies to both Trim and Baffle Finish)		AD Adjustable, 30° Max Tilt FD Fixed	<b>INTEGRAL</b> I IC N Non-IC A IC, Airtight* *(Chicago Plenum & Airtight compliant housing) L IC, Light Enclosed* *(Chicago Plenum & Airtight compliant housing. Prevents light leak in transparent ceilings) <b>REMOTE</b> S IC, Remote T Non-IC, Remote K IC, Airtight, Remote* *(Chicago Plenum & Airtight compliant housing) J IC, Light Enclosed, Remote* *(Chicago Plenum & Airtight compliant housing. Prevents light leak in transparent ceilings) <b>REMODEL</b> R Remodel* *(Not available for Tunable White) <b>REMOTE REMODEL</b> M Remote Remodel	8009H 80+ CRI* *(For use with 10° Optic only) AD/FD lm delivered - 197 SF lm delivered - 214 8012D 80+ CRI AD/FD lm delivered - 473 SF lm delivered - 632 8016D 80+ CRI Max Flux SF lm delivered - 764* *(SF Fixture Type Only) 9007D 90+ CRI AD/FD lm delivered - 234 SF lm delivered - 313 9009H 90+ CRI* *(For use with 10° Optic only) AD/FD lm delivered - 167 SF lm delivered - 181 9010D 90+ CRI AD/FD lm delivered - 400 SF lm delivered - 535 9014D 90+ CRI Max Flux SF lm delivered - 649* *(SF Fixture Type Only)	27 2700K 30 3000K 35 3500K 40 4000K	15 15° (<13) 25 25° (<13) 35 35° (<13) 50 50° (<13)	<b>ALTERNATE</b> 0 No Media* *(Not available for Wet Location or Warm Dim) 2 Honeycomb Louver* *(Not available for Wet Location, 8016D, 9014D or Warm Dim) 3 Clear Film* *(Not available for Warm Dim) 5 Honeycomb Louver w/ Soft Focus Film* *(Not available for 8016D or 9014D) C Honeycomb Louver w/ Clear Film* *(Not available for 8016D, 9014D or Warm Dim)	SG eldoLED, ECOdrive 1% 0-10V, LOG, 120 - 277V SN 1% 0-10V, LIN, 120 - 277V EG eldoLED, SOLOdrive 0.1% 0-10V, LOG, 120 - 277V EN eldoLED, SOLOdrive 0.1% 0-10V, LIN, 120 - 277V ED eldoLED, SOLOdrive 0.1% DALI-2, LOG, 120 - 277V LP Lutron, Premier Ecosystem 0.1% Fade to Black, 120 or 277V* *(Not available for X, Y and C install types, consult factory) <b>REMOTE ONLY</b> LH Lutron, Hi-Lume Ecosystem 1% Fade to Black, 120 or 277V* *(Not available for 8008D, 8009H, 9007D, 9009H, or 9005D) AS1/ Athena Control ASR eldoLED, SOLOdrive 0.1% 120-277V* CS1/ Casambi Control CSR eldoLED, SOLOdrive 0.1% 120-277V* *(Includes Node, Extended lead time, consult factory ASR/CSR includes shunt)
					<b>3.4" SLIM HIGH OUTPUT HOUSING (INTEGRATED LED HOUSING)</b> 1/2" - 1" MAX CEILING THICKNESS SEE PAGE 2 FOR T-GRID ACCESSORY						
					SF Fixed	<b>INTEGRAL</b> X IC Y NIC C IC, Airtight* *(Chicago Plenum & Airtight compliant housing) <b>REMOTE</b> V IC, Remote W NIC, Remote D IC, Airtight, Remote* *(Chicago Plenum & Airtight compliant housing)	<b>TUNABLE WHITE</b> 9010D 90+ CRI, Warm Profile* AD/FD lm delivered - 373 SF lm delivered - 437 Cool Profile* AD/FD lm delivered - 328 SF lm delivered - 384 *(Tunable White packages not available for "R" install type)  *All lm delivered reflect 3000K, 15° optic, and Soft Focus Media.	WL 2700K - 1800K WD 3000K - 1800K TR 4000K - 1800K TH 5000K - 2700K	15 15° (<13) 25 25° (<13) 35 35° (<13) 50 50° (<13)		



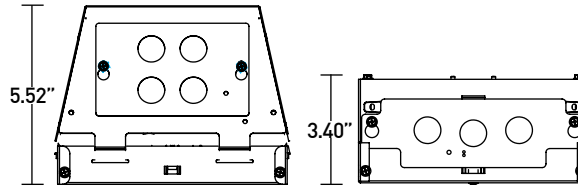
### PART NUMBER NOTES

- Universal trims ship as e.g: A2RPTAD1WHBK-9010D30-AZI-PH\*4
- Universal housings ship as e.g: IFR-A2I-280A-PH\*
- Slim fixtures ship as e.g: A2RPTS1WHBK-9010D30-AZY-PH\*4
- Remote drivers ship as e.g: PSA2-RMT-280A-PH\*



# ATOMOS1 PINHOLE UNIVERSAL AND SLIM

## HOUSING COMPARISON



HOUSING COMPARISON	UNIVERSAL HOUSING	SLIM HIGH OUTPUT HOUSING
FIXTURE TYPES	AD FD	SF
HOUSING DEPTH	5.52"	3.4"
MAX DELIVERED LUMENS	AD - 469 FD - 469	SF - 632
MAX CEILING THICKNESS	2"	1"
ROTATING COLLAR	NO	YES
OPTICS	15°, 25°, 35°, 50°, & ADJUSTABLE ZOOM	15°, 25°, 35°, & 50°

## ACCESSORIES

### ALTERNATE EFFECTS DEVICES

Consult factory for additional configurations.

- CGL-AP** Clear Film\*  
\*(Not available for Warm Dim)
- SFL-AP** Soft Focus Film
- HCL-AP** Honeycomb Louver\*  
\*(Not available for Warm Dim unless paired with Soft Focus Film. Not available for wet location unless paired with film.)

### HANGER BAR EXTENDER KIT

Extends hanger bars from 24.0" to 46.0" maximum.

- FRX-HBE-46** Extender, Hanger Bar.

### T-GRID ACCESSORY KIT

Recommended for installations in T-Grid up to 1.5" tall.

- DHA-TG-KIT**

### INSTALLATION / REMOVAL TOOL

Required for installation. One provided for every 10 fixtures.

- A2-TOOL-INSTALL** Installation Tool

### EMERGENCY LIGHTING - REMOTE MOUNT ONLY

During disruption of main power, emergency battery inverter provides temporary 120V or 277V to fixture.

- EMB-S-25-120/277-LEDX** 25 watt max capacity, 120 or 277 VAC 60Hz, Non-Dimmable
- EMB-S-100-120-LEDX** 100 watt max capacity, 120 VAC 60Hz, 0-10V Dimmable
- EMB-S-100-277-LEDX** 100 watt max capacity, 277 VAC 60Hz, 0-10V Dimmable
- EMB-S-250-120/277-LEDX** 250 watt max capacity, 120 or 277 VAC 60Hz, 0-10V Dimmable

### REPLACEMENT OPTICS

Interchangeable optics accessible through fixture aperture.

- RO-A-15-1** 15° optic
- RO-A-25-1** 25° optic
- RO-A-35-1** 35° optic
- RO-A-50-1** 50° optic

### ADJUSTMENT TOOL

One provided for every 10 adjustable fixtures.

- TOOL-HEX-050** Adjustment Tool

### FURRING CHANNEL ACCESSORY KIT

Recommended for installations in furring channel.

- DHA-FC-KIT**

# ATOMOS1 PINHOLE UNIVERSAL AND SLIM

## STATIC WHITE PERFORMANCE - 3000K

### UNIVERSAL HOUSING (AD, FD, WW)

LUMEN PACKAGE	WATTS	15° OPTIC SOFT FOCUS FILM		25° OPTIC SOFT FOCUS FILM		35° OPTIC SOFT FOCUS FILM		50° OPTIC SOFT FOCUS FILM	
		DLVD.	LPW	DLVD.	LPW	DLVD.	LPW	DLVD.	LPW
8008D	6	276	46	274	46	243	46	257	43
8012D	12	473	39	469	39	415	35	440	37
9007D	6	234	39	232	39	206	34	218	36
9010D	12	400	33	397	33	352	29	373	31
9005D (27K-18K)	6	201	33	199	33	177	29	187	31
9009D (30K-18K)	12	343	29	341	28	302	25	320	27
9010DTR (40K-18K)	10	327	33	303	30	242	24	298	30
9010DTH (50K-27K)	10	288	29	267	27	213	21	262	26

### FINISH LIGHT LOSS FACTOR

BAFFLE FINISH	LLF
WHITE	1.00
BLACK	0.92

### OUTPUT MULTIPLIER

CCT	CCT SCALE
2400K	0.76
2700K	0.95
3000K	1.00
3500K	1.05
4000K	1.06

### LIGHT LOSS FACTOR

NO MEDIA	LLF
SOFT FOCUS	1
CLEAR	1
HONEYCOMB	0.77
HONEYCOMB W/ SOFT FOCUS	0.77
HONEYCOMB W/ CLEAR	0.76

LUMEN PACKAGE	WATTS	10° OPTIC SOFT FOCUS FILM	
		DLVD.	LPW
80S09H	9	197	22
90S09H	9	167	19

### TUNABLE WHITE MULTIPLIER

CCT	5000K-2700K	4000K-1800K
5000K	1.16	-
4000K	1.08	1.14
3500K	1.04	1.07
3000K	1.00	1.00
2700K	0.96	0.92
2400K	-	0.84
1800K	-	0.69

### UNIFIED GLARE RATING

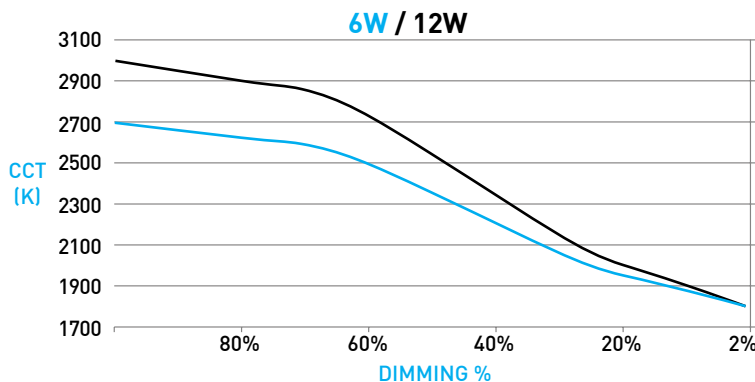
10° OPTIC FIELD REDUCER KIT	15° OPTIC SOFT FOCUS LENS	25° OPTIC SOFT FOCUS LENS	35° OPTIC SOFT FOCUS LENS	50° OPTIC SOFT FOCUS LENS
<13	<13	<13	<13	<13

## WARM DIM PERFORMANCE - SOFT FOCUS FILM - 15° OPTIC

### UNIVERSAL ADJUSTABLE & FIXED

9009D 3000K - 1800K	Full on 100%	Dimmed to 80%	Dimmed to 70%	Dimmed to 50%	Dimmed to 20%	Dimmed to 10%	Dimmed to 2%
CCT (K)	3000	2950	2900	2800	2400	2000	1800
Light Output (Lm)	343	274	240	172	69	34	7
Power (W)	12	9.6	8.4	6	2.4	1.2	0.2
Efficacy (LPW)	28	28	28	28	28	28	28

9005D 2700K - 1800K	Full on 100%	Dimmed to 80%	Dimmed to 70%	Dimmed to 50%	Dimmed to 20%	Dimmed to 10%	Dimmed to 2%
CCT (K)	2700	2160	1890	1350	540	270	54
Light Output (Lm)	201	161	141	101	40	20	4
Power (W)	6	4.8	4.2	3	1.2	0.6	0.1
Efficacy (LPW)	33	33	33	33	33	33	33



# ATOMOS1 PINHOLE UNIVERSAL AND SLIM

## STATIC WHITE PERFORMANCE - 3000K

### SLIM HIGH OUTPUT HOUSING (SF, SW ONLY)

LUMEN PACKAGE	WATTAGE	15° OPTIC SOFT FOCUS FILM		25° OPTIC SOFT FOCUS FILM		35° OPTIC SOFT FOCUS FILM		50° OPTIC SOFT FOCUS FILM	
		DLVD.	LPW	DLVD.	LPW	DLVD.	LPW	DLVD.	LPW
8008D	6	369	62	338	56	291	48	375	62
8012D	12	632	53	578	48	497	41	641	53
8016D	15	764	51	699	47	601	40	775	52
9007D	6	313	52	287	48	246	41	317	53
9010D	12	535	45	490	41	421	35	543	45
9014D	15	649	43	594	40	511	34	659	44
9005D (27K-18K)	6	281	47	265	44	231	38	297	50
9009D (30K-18K)	12	480	40	454	38	395	33	508	42
9010DTR (40K-18K)	10	437	44	374	37	290	29	434	43
9010DTH (50K-27K)	10	384	38	329	33	255	26	382	38

### FINISH LIGHT LOSS FACTOR

BAFFLE FINISH	LLF
WHITE	1.00
BLACK	0.92

### OUTPUT MULTIPLIER

CCT	CCT SCALE
2400K	0.76
2700K	0.95
3000K	1.00
3500K	1.05
4000K	1.06

### LIGHT LOSS FACTOR

NO MEDIA	1.11
SOFT FOCUS	1
CLEAR	1
HONEYCOMB	0.77
HONEYCOMB W/ SOFT FOCUS	0.77
HONEYCOMB W/ CLEAR	0.76

### TUNABLE WHITE MULTIPLIER

CCT	5000K-2700K	4000K-1800K
5000K	1.16	-
4000K	1.08	1.14
3500K	1.04	1.07
3000K	1.00	1.00
2700K	0.96	0.92
2400K	-	0.84
1800K	-	0.69

LUMEN PACKAGE	WATTS	10° OPTIC SOFT FOCUS FILM	
		DLVD.	LPW
80S09H	9	214	24
90S09H	9	181	20

### UNIFIED GLARE RATING

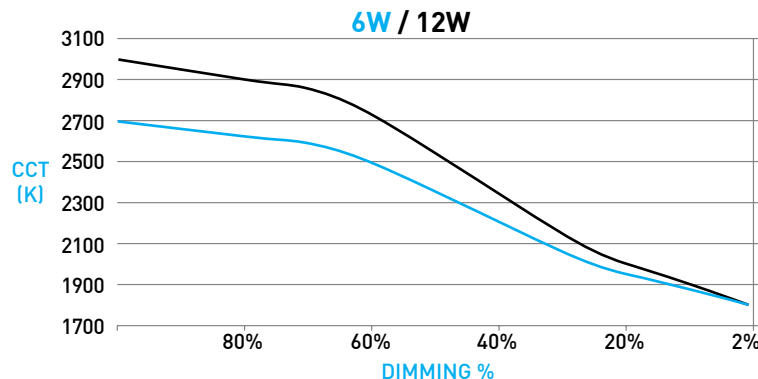
10° OPTIC FIELD REDUCER KIT	15° OPTIC SOFT FOCUS LENS	25° OPTIC SOFT FOCUS LENS	35° OPTIC SOFT FOCUS LENS	50° OPTIC SOFT FOCUS LENS
<13	<13	<13	<13	<13

## WARM DIM PERFORMANCE - SOFT FOCUS FILM - 50° OPTIC

### SLIM FIXED

9009D 3000K - 1800K	Full on 100%	Dimmed to 80%	Dimmed to 70%	Dimmed to 50%	Dimmed to 20%	Dimmed to 10%	Dimmed to 2%
CCT (K)	3000	2900	2850	2550	2000	1900	1800
Light Output (Lm)	508	406	356	254	102	51	10
Power (W)	12	9.6	8.4	6	2.4	1.2	0.2
Efficacy (LPW)	42	42	42	42	42	42	42

9005D 2700K - 1800K	Full on 100%	Dimmed to 80%	Dimmed to 70%	Dimmed to 50%	Dimmed to 20%	Dimmed to 10%	Dimmed to 2%
CCT (K)	2700	2160	1890	1350	540	270	54
Light Output (Lm)	297	238	208	149	59	30	6
Power (W)	6	4.8	4.2	3	1.2	0.6	0.1
Efficacy (LPW)	73	73	73	73	73	73	73



# ATOMOS1 PINHOLE UNIVERSAL AND SLIM

## DOWNLIGHT

**A1 UNIVERSAL TRIMS**  
Adjustable (AD) - Hot-aim tilt up to 30° and 362° rotation. Offset pivot point optimizes center beam. Max ceiling thickness for 30° tilt is 1-3/8".

Fixed (FD) - Trim based fixed downlight.

**A2 UNIVERSAL HOUSING**

- For IC or Non-IC ceilings.
- Chicago Plenum and Airtight listed.
- Requires 2-5/16" cutout for flange overlay and trimless drywall applications.
- Accommodates max 469 delivered lumens.
- No setback from polycell spray foam insulation having max R-Value of 60 on all sides and top.
- "L" and "J" Light Tight housings ensure there is no light leak through fabric or transparent ceilings.

**B SLIM HIGH OUTPUT HOUSING**  
Integral LED module design enables field service / replacement through housing aperture.

- For IC or Non-IC ceilings.
- Chicago Plenum and Airtight listed.
- Requires 2-5/16" cutout for flange overlay and trimless drywall applications.
- Accommodates max 632 delivered lumens.
- No setback from polycell spray foam insulation having max R-Value of 60 on all sides and top.

## HOUSING NOTES

- Do not install in environments where ambient temperatures exceed 40°C (104°F).
- Power supply compartment and all splice connections may be serviced from room side.
- Consult factory for spacing requirements for any installations exceeding R-Value 60.
- Hanger bars can be fitted to long or short side of housing; extend from 14.0" to 24.0", but may be field cut to accommodate narrow stud spacing. Can be extended up to 46" maximum with FRX-HBE-46 kit.
- Hanger bars and brackets add 3.16" to the overall dimension but are exclusive of the setback requirements.
- Housings feature a round or square aperture accommodating ceiling thicknesses between 0.50" and 2.00".

## ADJUSTMENT

- **ADJUSTMENT TOOL**  
Minimum 1 provided for every 10 adjustable fixtures. Utilizes a 0.050" Allen key driver.

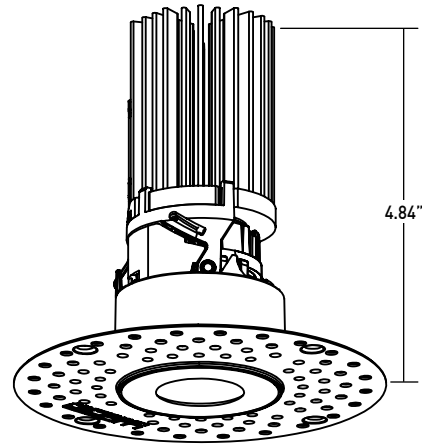


## TILT CHART

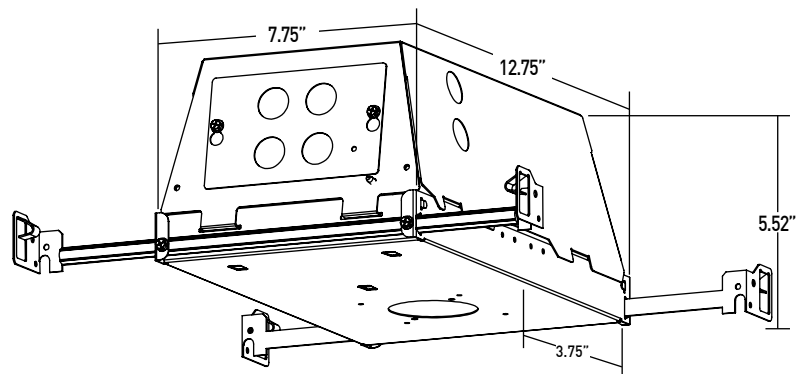
CEILING THICKNESS	≤1-1/2"	≤1-5/8"	≤1-3/4"	≤1-7/8"	≤2"
MAX TILT	30°	24°	18°	15°	13°

## DIMENSIONS / DRAWINGS

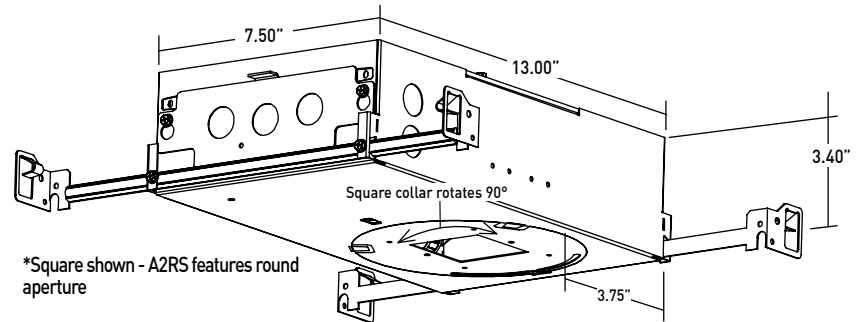
**A1 UNIVERSAL ADJUSTABLE (AD) & FIXED (FD) TRIM**



**A2 UNIVERSAL ADJUSTABLE (AD) AND FIXED (FD) HOUSING**



**B SLIM FIXED (SF) FIXTURE**

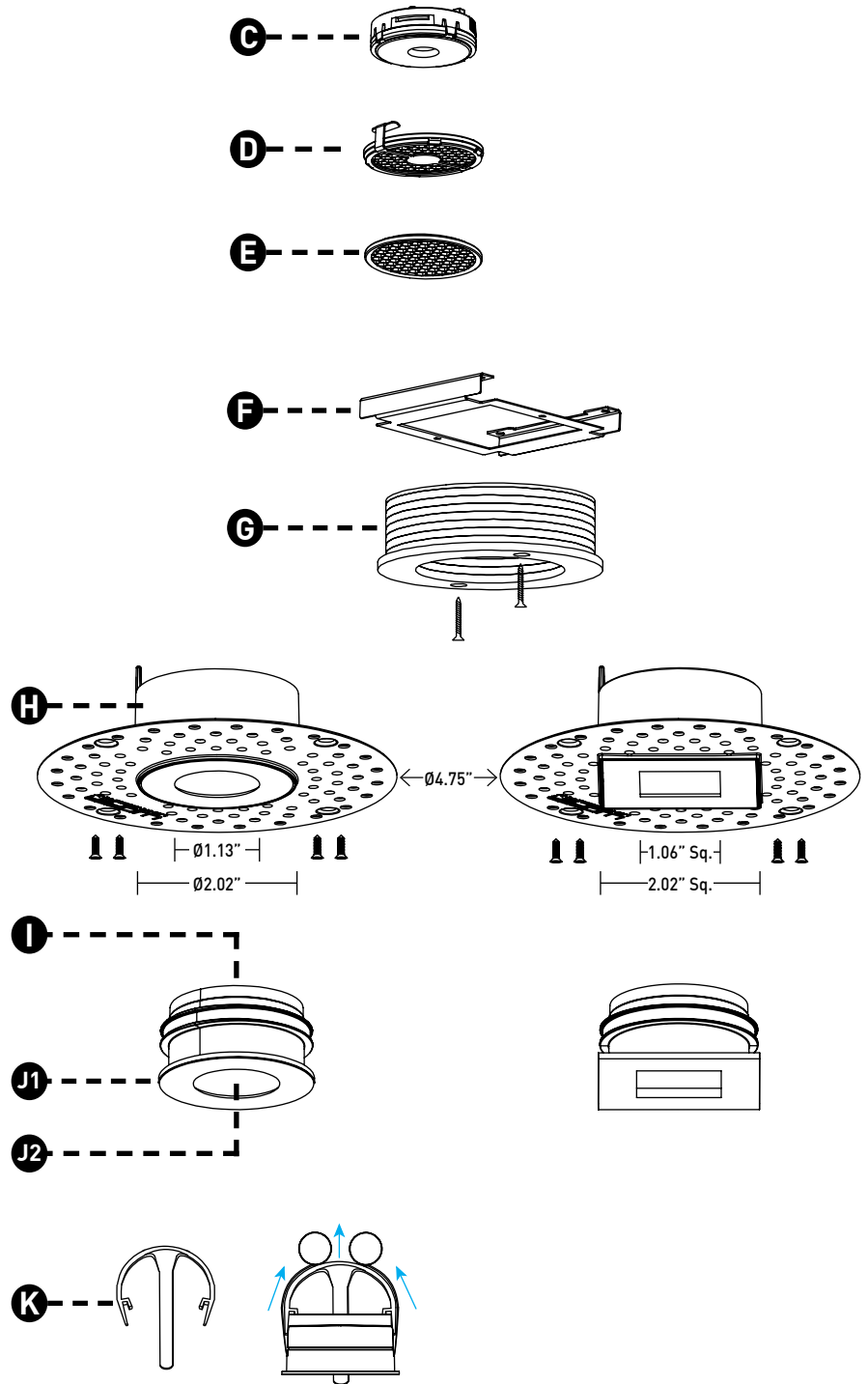


# ATOMOS1 PINHOLE UNIVERSAL AND SLIM

## HOUSING

- C STANDARD OPTICS**  
Proprietary optic integrates Reflection, Refraction and TIR offering 15°, 25°, 35°, and 50° beams.
- D 10° FIELD REDUCER**  
Provided with 10° optic, includes honeycomb louver.
- E HONEYCOMB LOUVER**  
Clips onto optic.
- F ZERO-SIGHTLINE MILLWORK HOUSING ADAPTOR**  
Ships with housing when trimless millwork is specified and provides attachment point for spacers. Requires 3.50" x 3.50" cutout.
- G ZERO-SIGHTLINE MILLWORK SPACERS**  
Ship with housing when trimless millwork is specified; includes (1) 1/16" spacer and (8) 1/8" spacers.
- H ZERO-SIGHTLINE DRYWALL**  
Installs totally flush with the ceiling with no visible trim. Appliqué includes screws for mounting and has 0.06" plaster stop. Not recommended for stucco applications.
- I MEDIA**  
Soft focus film standard and sealed to baffle. Fixture is limited to 1 film and the honeycomb louver.
- J BAFFLE**  
Die-cast removable baffle features 35° glare cutoff. Minimizes aperture glare and conceals view into housing or ceiling; includes silicone gasket.  
Exterior finish **J1** is specified in "Trim Finish" section.  
Interior finish **J2** is specified in "Baffle Finish" section and is only available in black.
- K INSTALLATION TOOL**  
Minimum 1 provided for every 10 trimless millwork fixtures.

## DIMENSIONS / DRAWINGS



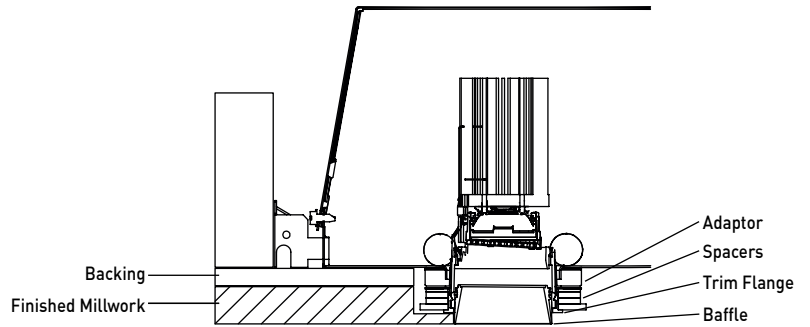
# ATOMOS1 PINHOLE UNIVERSAL AND SLIM

## HOUSING

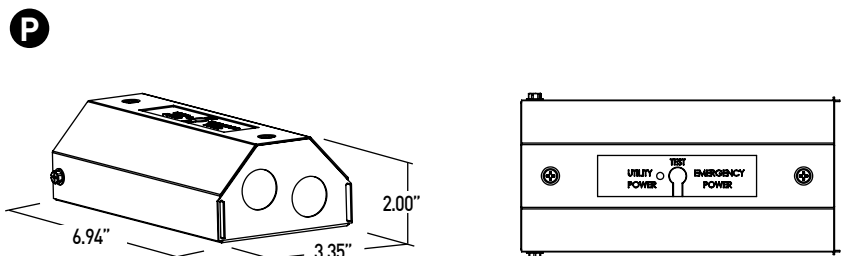
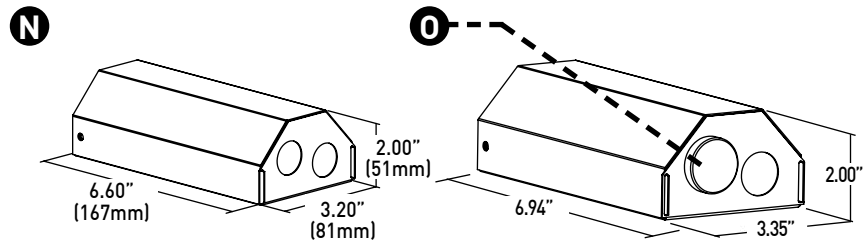
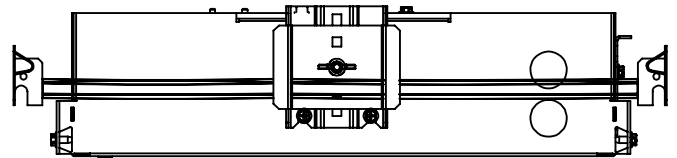
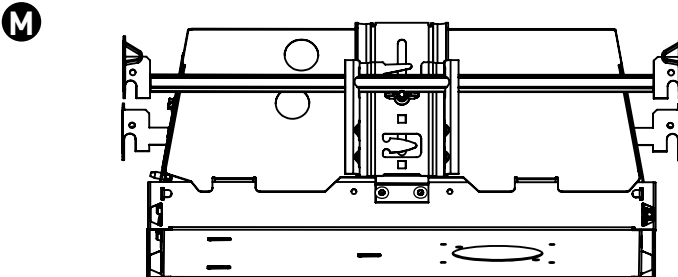
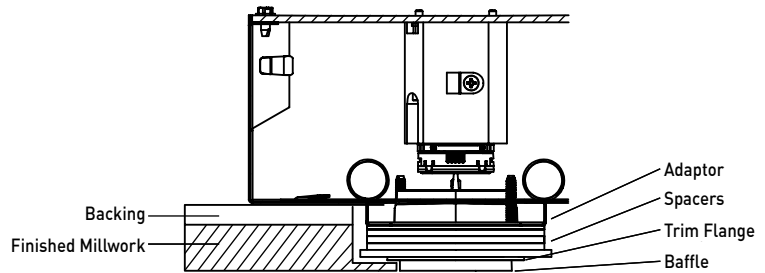
- L TRIMLESS MILLWORK**  
Installs totally flush with the ceiling with no visible trim. Utilizes the A2RS or A2SS standard configuration installed behind the ceiling.
- M ADJUSTABLE HANGER BAR HEIGHT ACCESSORY**  
Specified as DHA-TG-KIT and recommended for installations in T-Grid. Hanger bars are installed to adjustable bracket. Allows housing to be raised and lowered; ceiling thickness remains 0.50" to 1.00" (SLIM) or 2.00" (Universal) max.
- N REMOTE POWER SUPPLY**  
Provided with install types "S", "T", "K", "V", "W", and "D". Remote power supply provides additional driver options. Consult page 9 for maximum allowable secondary run lengths between PSA2-RMT and fixture. Must be installed in an accessible location.
- O ATHENA / CASAMBI CONTROL**  
Controls integrated into remote driver assembly. All equipment is serviceable.  
  
Athena Model Numbers: A-WN-D01-RF-BL & DFC-OEM-DBI  
  
Casambi Model Number: BT-S1E1-5400
- P ATHENA / CASAMBI EM SHUNT**  
Included with drivers specified as ASR, ADR, CSR, or CDR. One required for each wireless EM fixture, requires class 2 control wiring between fixture and shunt. Features integrated test switch.  
  
Model Number: PS-RMT-SHUNT

## DIMENSIONS / DRAWINGS

### L UNIVERSAL ZERO-SIGHTLINE MILLWORK DETAIL (EXAMPLE)



### SLIM ZERO-SIGHTLINE MILLWORK DETAIL (EXAMPLE)

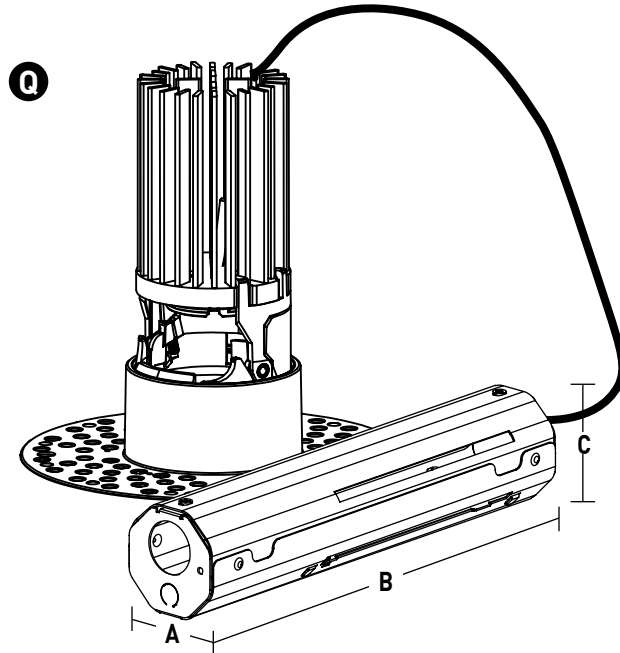


# ATOMOS1 PINHOLE UNIVERSAL AND SLIM

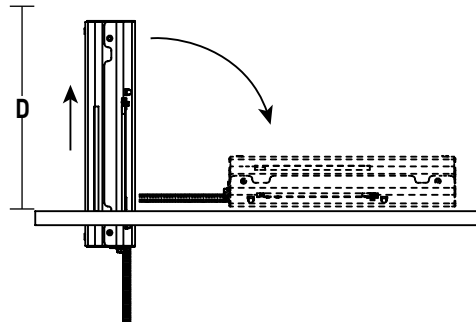
## REMODEL POWER SUPPLY

## DIMENSIONS / DRAWINGS

- Q REMODEL POWER SUPPLY**
- Included with "R" Install Type.
  - UL2043 listed for air-handling plenum.
  - Fixture mounts without conventional housing.
  - Minimum 6.75" (172mm) (PH Driver) or 9.25" (235mm) (All other drivers) clearance from top of the ceiling plane to allow for driver installation and servicing.
  - Minimum setback from combustible and non-combustible materials of 6.63" (168mm) radius from fixture centerline.
  - Minimum 3.00" (76mm) setback from surfaces of power supply / junction box.
  - Minimum additional 3.00" (76mm) setback from insulation material with max R-Value 30 from any surface of downlight fixture assembly.
  - Minimum additional 6.00" (152mm) setback from polycell spray foam insulation with max R-Value 60 from any surface of downlight fixture assembly.
- R REMOTE REMODEL APPLICATIONS**
- Remote power supply included with "M" Install Type.
  - Minimum 0.75" (19mm) clearance from top of the fixture.
  - Requires plenum rated Class 2 cable between fixture and remote driver. Cable supplied by others.
  - See page 9 for maximum allowable wiring distances.



\*D - MINIMUM REQUIRED CLEARANCE ABOVE CEILING

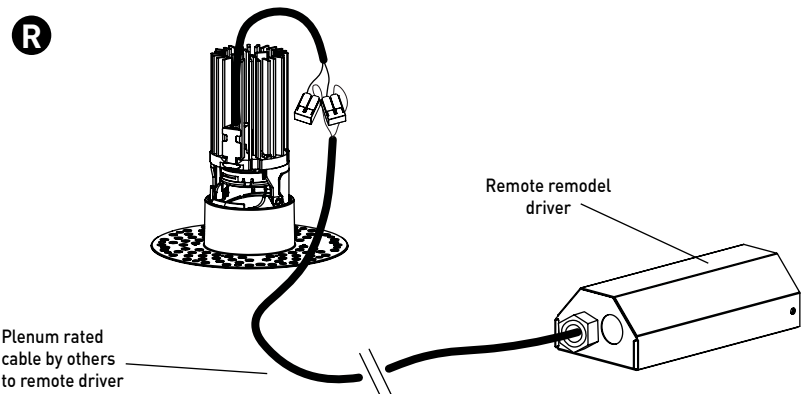


## REMODEL NOTES

- Do not install in environments where ambient temperatures exceed 40°C (104°F).
- Power supply compartment and all splice connections may be serviced from room side.
- Consult factory for spacing requirements for any installations exceeding R-Value 60.

### DIMENSIONS

DRIVER	A	B	C	D
PH	1.80"	5.55"	1.80"	6.75"
SG, SN, EG, EN, ED, LP, AS, CS	1.80"	8.07"	1.80"	9.25"





# ATOMOS1 PINHOLE UNIVERSAL AND SLIM

## TECHNICAL

### CONSTRUCTION

**Downlight:** Painted finishes are granulated powder coat.

**Housing:** Aluminum and 22 Gauge galvanized steel.

**Remote Power Supply:** 22 Gauge galvanized steel.

**Remodel Power Supply:** 24 Gauge cold rolled steel.

**Appliqué:** High strength fiber reinforced polymer.

### STATIC WHITE LED

2-step MacAdam ellipse LED module available in 80+ and 90+ CRI configurations in color temperatures of 2700K, 3000K, 3500K and 4000K.

3-step MacAdam ellipse LED module available in 80+ and 90+ CRI configuration in color temperature of 2400K. Average rated lamp life: 50,000 hours. LED and driver assemblies are field-replaceable.

### WARM DIM LED

3-step MacAdam ellipse warm dim LED module available in 90+ CRI configuration. 3000K or 2700K at full brightness, warming to 1800K at full dim. Average rated lamp life of 50,000 hours. LED and driver assemblies are field-replaceable.

### TUNABLE WHITE LED

3-step MacAdam ellipse tunable white LED module available in 90+ CRI configuration. Features tuning range of 2700K to 5000K and 1800K to 4000K. Average rated lamp life of 50,000 hours. Driver assemblies are field-replaceable.

### POWER SUPPLY PERFORMANCE AND DIMMING INFORMATION

Power Supply	PHASE			ECO			0-10V					DALI			ATHENA		CASAMBI	
	PH	LP	LH	SG	SN	EG	EN	DN	ED	DD	DG	AS	AD	CS	CD			
Minimum °C	-10 °C	0 °C	0 °C	-20 °C	-10 °C	-20 °C	-20 °C	-20 °C	-20 °C	-20 °C	-20 °C	0 °C	0 °C	-20 °C	-20 °C			
Maximum °C	40 °C	40 °C	40 °C	40 °C	40 °C	40 °C	40 °C	40 °C	40 °C	40 °C	40 °C	40 °C	40 °C	40 °C	40 °C			
Dimming %	1.0%	0.1%	1.0%	1.0%	1.0%	0.1%	0.1%	0.1%	0.1%	0.1%	0.1%	0.1%	0.1%	0.1%	0.1%			

Note: For LH, LP, EG, EN, and SG drivers consult chart on page 10 to confirm appropriate dimming curve for compatibility with selected control.

### MAXIMUM ALLOWABLE REMOTE DRIVER WIRING DISTANCES

DRIVER	WIRE AWG				
	12	14	16	18	20
PH, SN	285'	180'	113'	71'	45'
LP, LH	60'	40'	25'	15'	-
EG, EN, SG, ED, AS, CS, AD, CD, DN, DD, DG	-	-	118'	72'	46'

### LISTING

UL listed to UL1598 standard for Dry / Damp and Wet locations. Chicago Plenum and Airtight listed.

### BUY AMERICAN ACT

All IC and Non-IC Atomos configurations are Buy American Act compliant.

### DECLARE

LBC Red List Approved.

### WARRANTY

Manufacturer's 1-year warranty guarantees product(s) listed to be free from defects in material and workmanship under normal use and service. 5-year warranty on LED and power supply to operate with 70% of the original flux and remain within a range of 3 duv. 10-year Lutron Advantage limited warranty available on Lutron equipped systems. Warranty period begins from the date of shipment by Seller. Consult website for full warranty terms and conditions.

### CHANGE LOG

- 06/09/2023: UPDATED SG AND SN DRIVERS TO ELDOLED ECODRIVE.
- 02/07/2024: ADDED ATHENA AND CASAMBI CONTROL OFFERINGS. ADDED 2400K, TUNABLE WHITE, AND LOW WATTAGE OFFERINGS.
- 07/24/2024: DISCONTINUED L2 LUTRON HI-LUME 1% 2-WIRE DRIVER OFFERING.



# ATOMOS1 PINHOLE UNIVERSAL AND SLIM

## DIMMING COMPATIBILITY

### LUTRON DRIVER COMPATIBILITY

Power supply LP, LH Lutron Product Family	Part No.
PowPak Dimming Modules	RMJ-EC032-DV-B
PowPak Dimming Modules	FCJ/FCJS-ECO
Energi Savr Nodes	QSN-1ECO-S
GRAFIK Eye QS control unit Homeworks QS control unit	QSN-2ECO-S
GRAFIK Eye QS control unit Homeworks QS control unit	QSGRJ- E (wireless) QSGR- E
Quantum Hub	QP2-__ 2C
Quantum Hub	QP2-__ 4C
Quantum Hub	QP2-__ 6C
Quantum Hub	QP2-__ 8C
Homeworks QS power module myRoom Plus power module	LQSE-2ECO-D



### eldoLED DRIVER COMPATIBILITY

Power supply EG, SG Manufacturer	Family/Model #
Busch-Jaeger	2112U-101
Jung	240-10
Leviton Lighting Controls	IP710-DLX
Lightolier Controls	ZP600FAM120
Merten	5729
Pass & Seymour	CD4FB-W
The Watt Stopper	DCLV1
Synergy	ISD BC
Crestron®	GLX-DIMFLV8
Crestron®	GLXP-DIMFLV8
Crestron®	GLPAC-DIMFLV4-*
Crestron®	GLPAC-DIMFLV8-*
Crestron®	GLPP-DIMFLVEX-PM
Crestron®	GLPP-1DIMFLV2EX-PM
Crestron®	GLPP-1DIMFLV3EX-PM
Crestron®	DIN-A08
Crestron®	DIN-4DIMFLV4
Crestron®	CLS-EXP-DIMFLV
Crestron®	CLCI-1DIMFLV2EX
Power supply EN Manufacturer	Family/Model #
Lutron Electronics	Nova T® - NTFTV
Lutron Electronics	Diva® - DDTV
Lutron Electronics	Nova® - NFTV
Lutron Electronics	GrafixEye® GRX-TVI w GRX3503
Lutron Electronics	Energy Savr Node™ - QSN-4T16-S
Lutron Electronics	TVM2 Module
Sensor Switch	nI0 EZ
ABB	SD/S 2.16.1

### ANALOG DRIVERS AND DIMMERS

