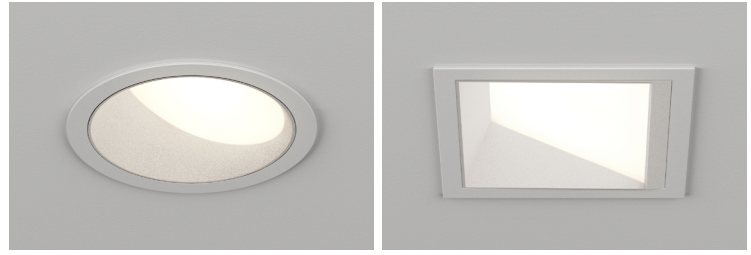


# ATOMOS™ 2INT

## WALLWASH

A miniature downlight range offering impressive performance in an extremely small profile with a 2" aperture.

PROJECT NAME:	TYPE:
---------------	-------



### ORDERING INFORMATION - FITTING

TRIM	TRIM TYPE	FITTING TYPE	RATING	TRIM FINISH	BAFFLE FINISH	LUMEN PACKAGE	CCT	OPTIC	INSTALL TYPE	DRIVER	EFFECTS DEVICE
		<b>WW</b>						<b>WW</b>	<b>E</b>		<b>W</b>
A2RW 2" Round Standard	F Flange Overlay T Trimless Drywall	WW Wallwash	1 Dry / Damp (IP20)	WH White	WH White	STATIC WHITE	27 2700K	WW Wallwash	13mm - 50mm MAX CEILING THICKNESS	IP ELV/Triac, 1%* *Not available for 8008D, 9007D, or 9005D	W Wallwash Lens
A2SW 2" Square Standard	W Trimless Millwork* *(Not available for remodel installations)		2 Wet (IP44)	AB Architectural Bronze AG Satin Silver AU Cashmere Gold BB Burnt Bronze BK Black PR Primer OO Trimless* *(Required for trimless) CF Custom Finish* *(Consult Factory)	AB Architectural Bronze AG Satin Silver AU Cashmere Gold BB Burnt Bronze BK Black PR Primer CF Custom Finish* *(Consult Factory)	8008D 80+ CRI Wallwash lm delivered - 549 8012D 80+ CRI Wallwash lm delivered - 1032 9007D 90+ CRI Wallwash lm delivered - 465 9010D 90+ CRI Wallwash lm delivered - 874	30 3000K 35 3500K 40 4000K				
						WARM DIM	WL 2700K - 1800K		E Export* *(For export use, outside of USA)	TUNABLE WHITE REMOTE (0.1%, 120-277V) DD eLdoLED, DUAL drive DALI-2, LOG	
						9005D 90+ CRI Wallwash lm delivered - 396	WD 3000K - 1800K				
						9009D 90+ CRI Wallwash lm delivered - 712					
						TUNABLE WHITE	TR 4000K - 1800K				
						9010D 90+ CRI Warm Profile Wallwash lm delivered - 703 Cool Profile Wallwash lm delivered - 619	TH 5000K - 2700K				
*ALL LM DELIVERED OUTPUTS REFLECT 3000K PAIRED WITH WALLWASHW OPTIC AND WALLWASH MEDIA.							*SEE PAGE 2 FOR UGR RATINGS				



### PART NUMBER NOTES

- Trim ships as e.g., A2RWFWW1WHWH-9010D27-WWE-ID\*W



# ATOMOS2 INT WALLWASH

## ACCESSORIES

### REPLACEMENT OPTIC

Optic accessible through fitting aperture.

**RO-A-WW-1** Wallwash optic

### INSTALLATION / REMOVAL TOOL

Required for installation. One provided for every 10 fixtures.

**A2-TOOL-INSTALL** Installation Tool

## STATIC WHITE PERFORMANCE - 3000K

### ROUND

LUMEN PACKAGE	WATTS	ROUND WALLWASH WALLWASH LENS	
		DLVD.	LPW
8008D	6	549	92
8012D	12	934	77
9007D	6	465	78
9010D	12	796	66
9005D (27K-18K)	6	396	66
9009D (30K-18K)	12	677	58
90010DTR (40K-18K)	10	703	70
9010DTH (50K-27K)	10	619	62

### SQUARE

LUMEN PACKAGE	WATTS	SQUARE WALLWASH WALLWASH LENS	
		DLVD.	LPW
8008D	6	603	101
8012D	12	1032	87
9007D	6	511	85
9010D	12	874	74
9005D (27K-18K)	6	416	69
9009D (30K-18K)	12	712	61
90010DTR (40K-18K)	6	723	72
9010DTH (50K-27K)	12	636	64

### FINISH LIGHT LOSS FACTOR

BAFFLE FINISH	LLF
WHITE	1.00
CASHMERE GOLD	0.96
SATIN SILVER	0.95
BURNT BRONZE	0.93
BLACK	0.92

### OUTPUT MULTIPLIER

CCT	CCT SCALE
2400K	0.76
2700K	0.95
3000K	1.00
3500K	1.05
4000K	1.06

### UNIFIED GLARE RATING

WALLWASH OPTIC WALLWASH LENS
>19

### TUNABLE WHITE MULTIPLIER

CCT	5000K-2700K	4000K-1800K
5000K	1.16	-
4000K	1.08	1.14
3500K	1.04	1.07
3000K	1.00	1.00
2700K	0.96	0.92
2400K	-	0.84
1800K	-	0.69

**Part L** 75+ LPW configurations comply with residential Part L  
95+ LPW configurations comply with commercial Part L

## WARM DIM PERFORMANCE - WALLWASH

### ROUND

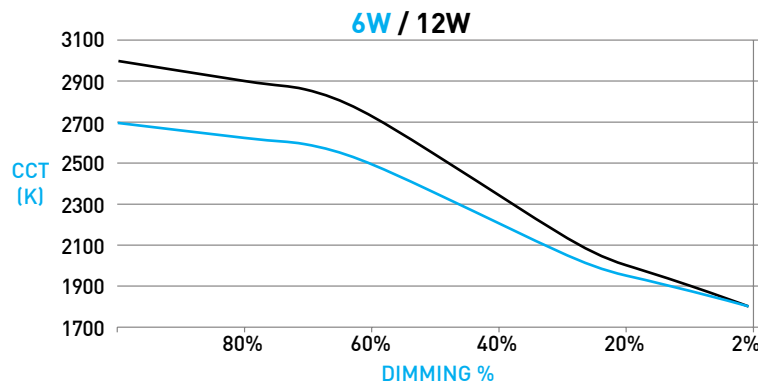
9009D 3000K - 1800K	Full on 100%	Dimmed to 80%	Dimmed to 70%	Dimmed to 50%	Dimmed to 20%	Dimmed to 10%	Dimmed to 2%
CCT (K)	3000	2900	2850	2550	2000	1900	1800
Light Output (Lm)	677	542	474	339	135	68	13
Power (W)	12	9.6	8.4	6	2.4	1.2	0.2
Efficacy (LPW)	58	58	58	58	58	58	58

### SQUARE

9009D 3000K - 1800K	Full on 100%	Dimmed to 80%	Dimmed to 70%	Dimmed to 50%	Dimmed to 20%	Dimmed to 10%	Dimmed to 2%
CCT (K)	3000	2900	2850	2550	2000	1900	1800
Light Output (Lm)	712	570	498	356	142	71	14
Power (W)	12	9.6	8.4	6	2.4	1.2	0.2
Efficacy (LPW)	61	61	61	61	61	61	61

9005D 2700K - 1800K	Full on 100%	Dimmed to 80%	Dimmed to 70%	Dimmed to 50%	Dimmed to 20%	Dimmed to 10%	Dimmed to 2%
CCT (K)	2700	2160	1890	1350	540	270	54
Light Output (Lm)	396	317	277	198	79	40	8
Power (W)	6	4.8	4.2	3	1.2	0.6	0.1
Efficacy (LPW)	58	58	58	58	58	58	58

9005D 2700K - 1800K	Full on 100%	Dimmed to 80%	Dimmed to 70%	Dimmed to 50%	Dimmed to 20%	Dimmed to 10%	Dimmed to 2%
CCT (K)	2700	2160	1890	1350	540	270	54
Light Output (Lm)	416	332	291	208	83	42	8
Power (W)	6	4.8	4.2	3	1.2	0.6	0.1
Efficacy (LPW)	61	61	61	61	61	61	61



### ROUND



#### RECOMMENDED

##### 30" SETBACK / 30" ON CENTER SPACING

- AVERAGE FC: 11.48
- MIN / MAX: 5.81
- 10FT CEILING SHOWN / 8-12FT IDEAL
- 9 FIXTURES / 25FT WALL SHOWN

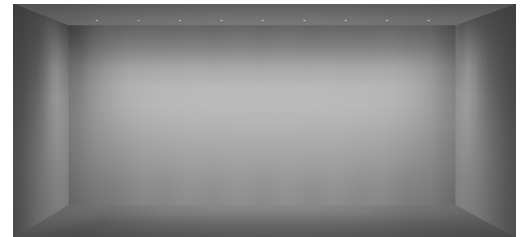
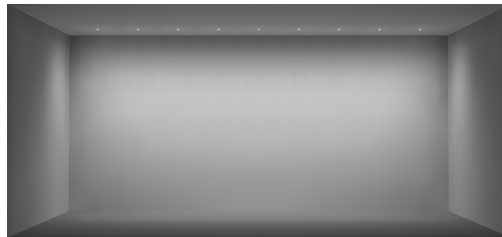
##### 36" SETBACK / 36" ON CENTER SPACING

- AVERAGE FC: 9.26
- MIN / MAX: 5.30
- 10FT CEILING SHOWN / 8-12FT IDEAL
- 9 FIXTURES / 30FT WALL SHOWN

##### 42" SETBACK / 42" SPACING ON CENTER

- AVERAGE FC: 7.22
- MIN / MAX: 7.60
- 10FT CEILING SHOWN / 8-12FT IDEAL
- 9 FIXTURES / 35FT WALL SHOWN

### SQUARE



#### RECOMMENDED

##### 30" SETBACK / 30" ON CENTER SPACING

- AVERAGE FC: 12.64
- MIN / MAX: 4.83
- 10FT CEILING SHOWN / 8-12FT IDEAL
- 9 FIXTURES / 25FT WALL SHOWN

##### 36" SETBACK / 36" ON CENTER SPACING

- AVERAGE FC: 11.30
- MIN / MAX: 4.46
- 10FT CEILING SHOWN / 8-12FT IDEAL
- 9 FIXTURES / 30FT WALL SHOWN

##### 42" SETBACK / 42" SPACING ON CENTER

- AVERAGE FC: 8.07
- MIN / MAX: 5.76
- 10FT CEILING SHOWN / 8-12FT IDEAL
- 9 FIXTURES / 35FT WALL SHOWN

### ADDITIONAL SPACINGS AND SETBACKS

ROUND			
ON CENTER SPACING	SETBACK		
	30"	36"	42"
30"	SHOWN ABOVE	AVERAGE FC: 10.51 MIN / MAX: 5.83	AVERAGE FC: 9.62 MIN / MAX: 6.50
36"	AVERAGE FC: 10.01 MIN / MAX: 5.47	SHOWN ABOVE	AVERAGE FC: 8.53 MIN / MAX: 5.46
42"	AVERAGE FC: 8.47 MIN / MAX: 7.20	AVERAGE FC: 7.81 MIN / MAX: 7.18	SHOWN ABOVE

SQUARE			
ON CENTER SPACING	SETBACK		
	30"	36"	42"
30"	SHOWN ABOVE	AVERAGE FC: 11.68 MIN / MAX: 4.51	AVERAGE FC: 10.77 MIN / MAX: 4.69
36"	AVERAGE FC: 10.98 MIN / MAX: 4.43	SHOWN ABOVE	AVERAGE FC: 9.56 MIN / MAX: 4.09
42"	AVERAGE FC: 9.32 MIN / MAX: 5.75	AVERAGE FC: 8.67 MIN / MAX: 5.44	SHOWN ABOVE

# ATOMOS2 INT WALLWASH

## DOWNLIGHT

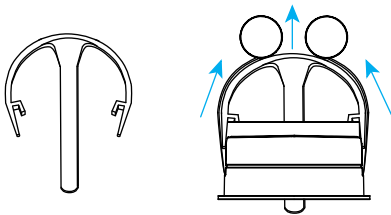
- A TRIM**  
Precision engineered to provide exceptionally even wallwashing and minimal aperture glare.
- B OPTIC**  
35° optic.
- C EFFECTS DEVICE**  
Acrylic wallwash lens, included and sealed in place.
- D BAFFLE**  
Die-cast removable baffle minimizes aperture glare and conceals view into housing or ceiling; includes silicone gasket. Square baffle sits proud of the flange or ceiling plane to provide enhanced wallwashing effect.

## FITTING PROFILES

- **FLANGE OVERLAY**  
Installed after ceiling is complete. Requires 59mm diameter cutout. Provides 4mm total contractor (goof) allowance with 5mm flange. Thickness measures 1.5mm
- **TRIMLESS DRYWALL**  
Installs totally flush with the ceiling with no visible trim. Appliqué includes screws for mounting and has 1.5mm plaster stop. Not recommended for stucco applications.
- **TRIMLESS MILLWORK**  
Installs totally flush with the ceiling with no visible trim. Utilizes the A2RS or A2SS standard configuration installed behind the ceiling. See additional information on page 4.
- **TRIMLESS MILLWORK SPACERS**  
Ship with fitting when trimless millwork is specified. Must be installed flush with finished millwork mounting surface. Includes (1) 1.5mm spacer and (8) 3mm spacers.

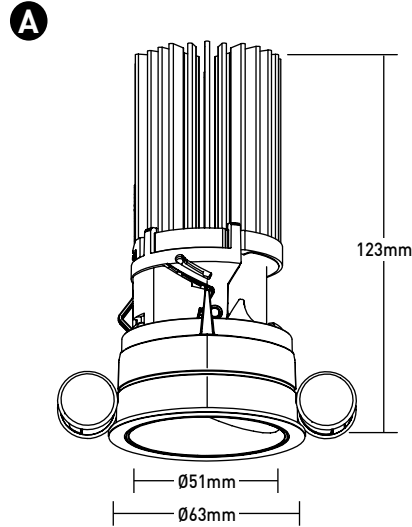
## INSTALLATION

- **INSTALLATION TOOL**  
Minimum 1 provided for every 10 flange overlay and trimless millwork fixtures.

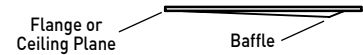
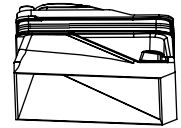
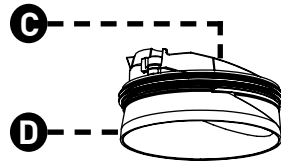
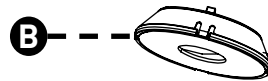
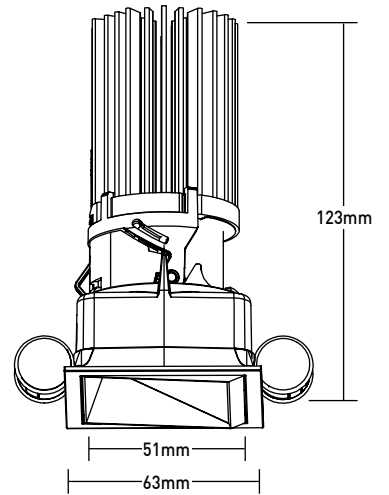


## DIMENSIONS / DRAWINGS

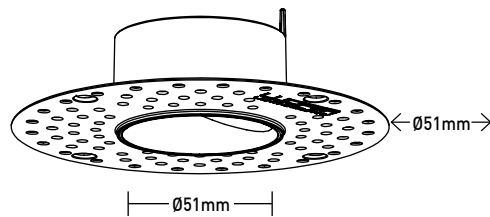
**A2RS - FLANGE OVERLAY**



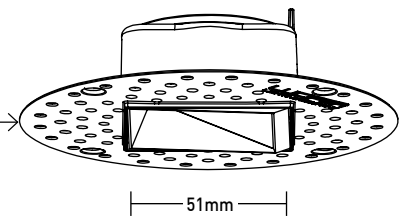
**A2SS - FLANGE OVERLAY**



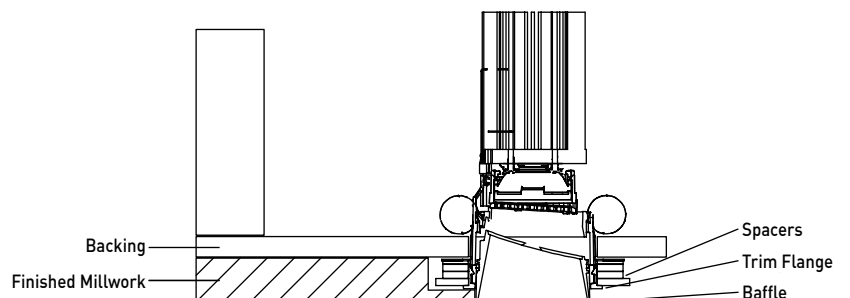
**A2RS - TRIMLESS DRYWALL**



**A2SS - TRIMLESS DRYWALL**



## TRIMLESS MILLWORK DETAIL (EXAMPLE)



# ATOMOS2 INT WALLWASH

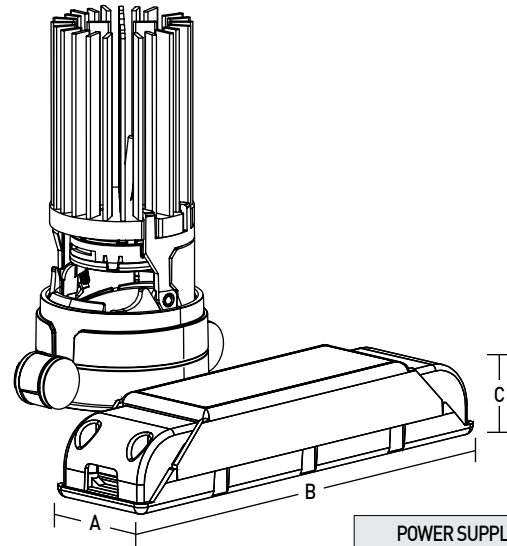
## POWER SUPPLY

### L POWER SUPPLY

- Minimum 160mm (ID / IN) or 235mm (IP) clearance from top of the ceiling plane to allow for driver installation and servicing.
- Minimum setback from combustible and non-combustible materials of 168mm radius from fitting centerline.
- Minimum 76mm setback from surfaces of power supply / junction box.
- Minimum additional 76mm setback from insulation material with max R-Value 30 from any surface of downlight fitting assembly.
- Minimum additional 152mm setback from polycell spray foam insulation with max R-Value 60 from any surface of downlight fitting assembly.
- Consult factory for spacing requirements for any installations exceeding R-Value 60.
- Do not install in environments where ambient temperatures exceed 40°C (104°F).

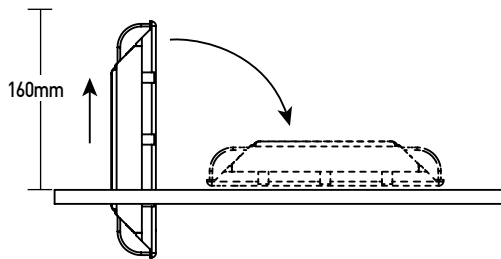
## DIMENSIONS / DRAWINGS

L

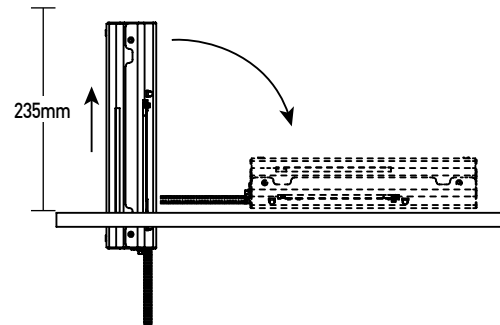


POWER SUPPLY DIMENSIONS			
Model	A	B	C
IP	32mm	83mm	25mm
ID	42mm	161mm	31mm
IN			

### ID / IN DRIVER REQUIRES MINIMUM 160MM CLEARANCE ABOVE CEILING



### IP DRIVER REQUIRES MINIMUM 235MM CLEARANCE ABOVE CEILING



# ATOMOS2 INT WALLWASH

## TECHNICAL

### CONSTRUCTION

**Fitting:** Painted finishes are granulated powder coat.

**Appliqué:** High strength fiber reinforced polymer.

### STATIC WHITE LED

2-step MacAdam ellipse LED module available in 80+ and 90+ CRI configurations in color temperatures of 2700K, 3000K, 3500K and 4000K.

3-step MacAdam ellipse LED module available in 80+ and 90+ CRI configuration in color temperature of 2400K. Average rated lamp life: 50,000 hours. LED and driver assemblies are field-replaceable.

### WARM DIM LED

3-step MacAdam ellipse warm dim LED module available in 90+ CRI configuration. 3000K or 2700K at full brightness, warming to 1800K at full dim. Average rated lamp life of 50,000 hours. LED and driver assemblies are field-replaceable.

### TUNABLE WHITE LED

3-step MacAdam ellipse tunable white LED module available in 90+ CRI configuration. Features tuning range of 2700K to 5000K and 1800K to 4000K. Average rated lamp life of 50,000 hours. Driver assemblies are field-replaceable.

### POWER SUPPLY PERFORMANCE AND DIMMING INFORMATION

	ELV		DALI	
Power Supply	IP	ID	IN	DD
Minimum °C	-10 °C	-20 °C	-20 °C	-20 °C
Maximum °C	40 °C	40 °C	40 °C	40 °C
Dimming %	1.0%	1.0%	1.0%	0.1%

### SPACING

Recommended fixture spacing is 36" on center with 36" setback from wall plane.

### LISTING

CE listed for IP20 Dry / Damp and IP44 Wet locations. Patent Pending.

### PART L

Part L compliant for all 75+ LPW residential and 95+ LPW commercial configurations.

### WARRANTY

Manufacturer's 1-year warranty guarantees product(s) listed to be free from defects in material and workmanship under normal use and service.

5-year warranty on LED and power supply to operate with 70% of the original flux and remain within a range of 3 duv.

### CHANGE LOG

- 05/31/2023: UPDATED ROUND BAFFLE TO FLAT BAFFLE DESIGN.
- 02/07/2024: ADDED 2400K, LOW WATTAGE, AND TUNABLE WHITE OFFERINGS
- 2/15/2024: PART L COMPLIANCE ADDED
- 3/15/2024: ADDED 10 DEGREE FIELD REDUCER, UPDATED 10 DEGREE PERFORMANCE DATA.

