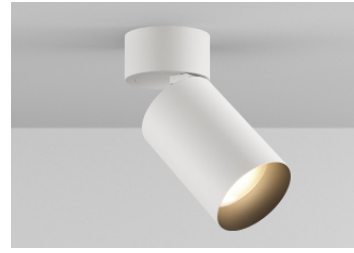


CYLINDER 2 ADJUSTABLE SURFACE MOUNT

In Q1 2024 we will begin shipping the CY2X in place of the current CY2. This enhanced fixture features dimensions of Ø3.1" x 7.1", lumen outputs up to 2273 lm delivered, more finish options, additional wet location options and 90° tilt standard. We will continue to receive orders for the CY2 through the end of 2023. See Page 2 for fixture comparison.

| | |
|---------------|-------|
| PROJECT NAME: | TYPE: |
|---------------|-------|



ORDERING INFORMATION - CYLINDER

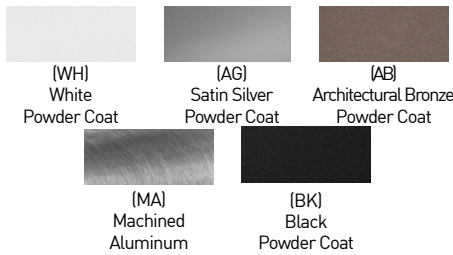


Quick Ship Product. All rough in components ship within 10 days up to quantities of 100.



JA8-2019 COMPLIANCE INDICATED BY SHADING

| CYLINDER | FIXTURE | RATING | CYLINDER FINISH | LUMEN PACKAGE | CCT | OPTIC | DRIVER | EFFECTS DEVICE | MOUNTING |
|----------|---|--------|--|--|--|---|--|---|---|
| CY2 | 3.13" | 1 | Dry/Damp | 1 | | | | | |
| | AD Standard 70° 9D Max 90° Tilt* AS Standard 70° Shallow Canopy* 9S Max 90° Tilt Shallow Canopy* AW Adjustable Wallwash 70°* | | WH White AG Satin Silver* AB Architectural Bronze* BK Black MA Machined Aluminum* CF Custom Finish* | STATICWHITE 80C12A 80+ CRI AD / 9D / AS / 9S Dlvd. Lumens - 775 AW Dlvd. Lumens - 557 80C19A 80+ CRI AD / 9D / AS / 9S Dlvd. Lumens - 1196 AW Dlvd. Lumens - 859 80C25A 80+ CRI AD / 9D / AS / 9S Dlvd. Lumens - 1587 AW Dlvd. Lumens - 1141 90C10A 90+ CRI AD / 9D / AS / 9S Dlvd. Lumens - 641 AW Dlvd. Lumens - 460 90C15A 90+ CRI AD / 9D / AS / 9S Dlvd. Lumens - 988 AW Dlvd. Lumens - 710 90C20A 90+ CRI AD / 9D / AS / 9S Dlvd. Lumens - 1312 AW Dlvd. Lumens - 943 97C09A 97+ CRI AD / 9D / AS / 9S Dlvd. Lumens - 584 AW Dlvd. Lumens - 420 97C14A 97+ CRI AD / 9D / AS / 9S Dlvd. Lumens - 901 AW Dlvd. Lumens - 648 97C19A 97+ CRI AD / 9D / AS / 9S Dlvd. Lumens - 1196 AW Dlvd. Lumens - 860 WARM DIM 90W11A 90+ CRI, Incandescent Profile AD / 9D / AS / 9S Dlvd. Lumens - 931 AW Dlvd. Lumens - 686 90W12A 90+ CRI, Standard Profile AD / 9D / AS / 9S Dlvd. Lumens - 1047 AW Dlvd. Lumens - 771 *SEE PAGE 3 FOR DETAILED WARM DIM PROFILE COMPARISON. TUNABLE WHITE 90T10A 90+ CRI, Delivered Lumens - 1061* | 22 2200K* 27 2700K 30 3000K 35 3500K 40 4000K WL 2700K - 1800K WD 3000K - 1800K TW 5000K - 2700K | 10 10°* 15 15° 25 25° 40 40° 60 60° 25 25° 40 40° 60 60° 15 15° 25 25° 40 40° 60 60° | INTEGRAL CA3 120V-277V 0-10V Analog CE3 120V Electronic ELV Forward / Reverse Phase REMOTE (120V) TR2 Philips, 2% Leading / Trailing / Triac* L23 Lutron, Hi-Lume 1% 2-Wire REMOTE (120-277V) LH1 Lutron, Hi-Lume Ecosystem 1% Fade to Black AN4 Philips Titanium 1% 0-10V, LOG LN2 Philips Titanium 1% 0-10V, LIN EA2 eldoLED, SOL0drive 0.1% 0-10V, LOG LA2 eldoLED, SOL0drive 0.1% 0-10V, LIN ED1 eldoLED, SOL0drive 0.1% DALI, LOG LD1 eldoLED, SOL0drive 0.1% DALI, LIN TUNABLE WHITE REMOTE (120-277V) DD1 eldoLED, DUALdrive 0.1% DALI, LOG DG1 eldoLED, DUALdrive 0.1% 0-10V, LOG DN1 eldoLED, DUALdrive 0.1% 0-10V, LIN | STANDARD EFFECTS DEVICE 4 Soft Focus Lens N No Lens* W Wallwash Lenses* 2 Honeycomb Louver* 3 Clear Glass Lens* 5 Frosted Glass Lens 6 Frosted Soft Focus Lens 7 Frosted Linear Spread Lens 5 Soft Focus Lens w/ Linear Spread Film C Clear Glass Lens w/ Linear Spread Film ALTERNATE EFFECTS DEVICE *Standard for 10° optic. Not available for Warm Dim) *Required and only available for AW fixture) *Required and only available for AW fixture) *Required and only available for AW fixture) *Required and only available for AW fixture) *Required and only available for AW fixture) *Required and only available for AW fixture) | ROUGH-IN JBMP 4" Sq. or 4/0 Junction Box Mounting Plate FINISH OUT SMK3 3/0 Surface Mount Kit SMK4 4/0 Surface Mount Kit CMJB 1/2" and 3/4" Conduit Ceiling Mount Junction Box* *Not available for MA finish, Quick Ship Product for WH and BK finishes only) |



PART NUMBER NOTES

- Adjustable ships as e.g., CY2-AD-1-WH-90C20A2-3-RMT-4
- Remote driver ships as e.g., PS-RMT-90C20A-1L23
- Mounting ships separate from fixture, part numbers listed on page 7.

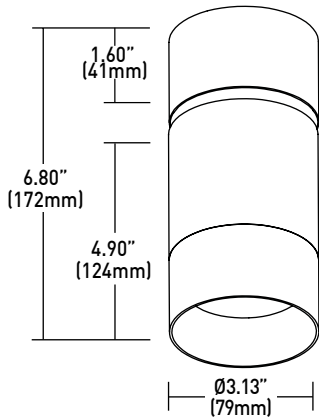
CYLINDER 2 ADJUSTABLE SURFACE MOUNT

FIXTURE COMPARISON

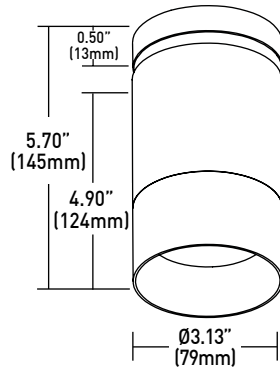
CURRENT CY2

NEW CY2X

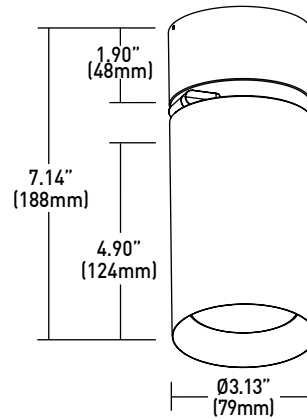
CY2-AD / 9D / AW



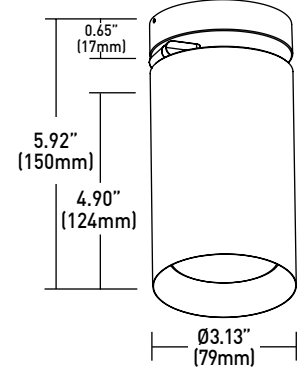
CY2-AS / 9S



CY2XAD / AW



CY2XAS



| FIXTURE COMPARISON | CURRENT CY2 | NEW CY2X |
|----------------------|------------------------|--|
| MAX DELIVERED LUMENS | 1786 | 2273 |
| STANDARD TILT | 70° STANDARD / 90° MAX | 90° STANDARD |
| ROTATION | 357° | 365° |
| RATING | DRY / DAMP | DRY / DAMP AND WET |
| FIXTURE FINISHES | POWDERCOAT | POWDERCOAT AND ALUMINA FINISHES BY LUCIFER LIGHTING™ |
| BAFFLE FINISHES | BLACK POWDERCOAT | POWDERCOAT AND ALUMINA FINISHES BY LUCIFER LIGHTING™ |
| EFFECTS DEVICES | 1 | 2 |
| DECLARE | DECLARE LISTED | DECLARE RED LIST APPROVED |
| BUY AMERICAN ACT | NO | YES |

ALUMINA FINISHES BY LUCIFER LIGHTING™



*ALUMINA FINISHES ARE ANODIZED ALUMINUM

CYLINDER 2 ADJUSTABLE SURFACE MOUNT

ACCESSORIES

ALTERNATE EFFECTS DEVICES

HCL-CY2-03 Honeycomb Louver *

*(Not available for Warm Dim)

CGL-CY2-03 Clear Glass Lens *

*(Not available for Warm Dim)

SFL-CY2-03 Soft Focus Lens

FGL-CY2-03 Frosted Glass Lens

FSFL-CY2-03 Frosted Soft Focus Lens

FLSL-CY2-03 Frosted Linear Spread Lens

SFL-LSL-CY2-03 Soft Focus Lens W/ Linear Spread Film

CGL-LSL-CY2-03 Clear Glass Lens W/ Linear Spread Film

REPLACEMENT OPTICS

Interchangeable optics accessible by removing snoot or baffle.

RO-70-15-1 15° optic *

*(Not available for Warm Dim)

RO-70-25-1 25° optic

RO-70-40-1 40° optic

RO-70-60-1 60° optic

TUNABLE WHITE REPLACEMENT OPTICS

Interchangeable optics accessible by removing snoot or baffle. Not available for Wallwash fixtures.

RO-70-15-2 15° optic

RO-70-25-2 25° optic

RO-70-40-2 40° optic

RO-70-60-2 60° optic

EMERGENCY LIGHTING - REMOTE MOUNT ONLY

EMB-S-20/25-120/277-LEDX 20/25 watt max capacity, 120 or 277 VAC 60Hz

EMB-S-100-120-LEDX 100 watt max capacity, 120 VAC 60Hz

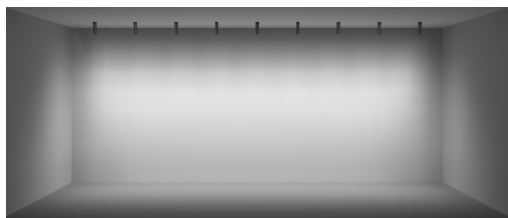
EMB-S-100-277-LEDX 100 watt max capacity, 277 VAC 60Hz

EMB-S-250-120/277-LEDX 250 watt max capacity, 120 or 277 VAC 60Hz

During disruption of main power, emergency battery inverter provides temporary 120V or 277V to fixture.

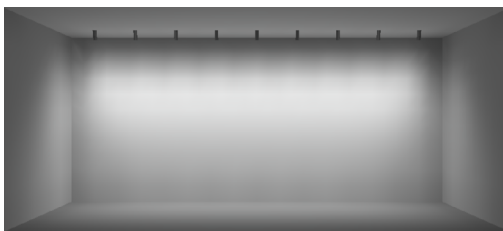
CYLINDER 2 ADJUSTABLE SURFACE MOUNT

WALLWASH DESIGN GUIDE



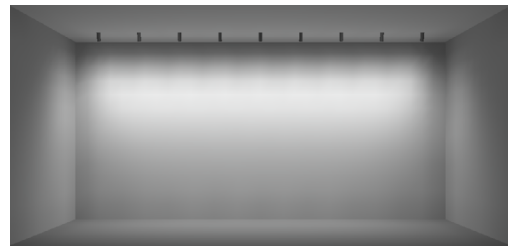
8FT CEILING

36" SETBACK / 36" ON CENTER SPACING / 15° TILT



10FT CEILING

36" SETBACK / 36" ON CENTER SPACING / 15° TILT



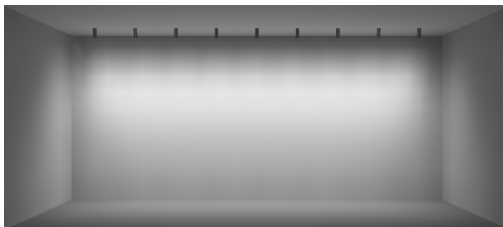
12FT CEILING

36" SETBACK / 36" ON CENTER SPACING / 15° TILT



30" SETBACK / 30" ON CENTER SPACING / 10° TILT

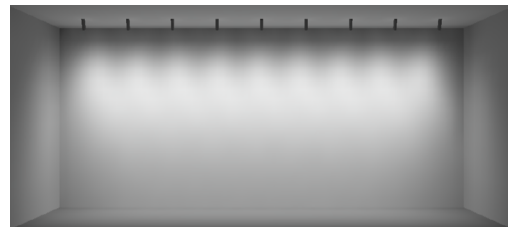
- AVERAGE FC: 18.92
- MAX / MIN: 6.04
- 10FT CEILING SHOWN / 8-12FT IDEAL
- 9 FIXTURES / 25FT WALL SHOWN



RECOMMENDED

36" SETBACK / 36" ON CENTER SPACING / 15° TILT

- AVERAGE FC: 17.19
- MAX / MIN: 4.90
- 10FT CEILING SHOWN / 8-12FT IDEAL
- 9 FIXTURES / 30FT WALL SHOWN



42" SETBACK / 42" ON CENTER SPACING / 20° TILT

- AVERAGE FC: 15.81
- MAX / MIN: 3.98
- 10FT CEILING SHOWN / 8-12FT IDEAL
- 9 FIXTURES / 35FT WALL SHOWN

ADDITIONAL SETBACKS AND SPACINGS

| ON CENTER SPACING | SETBACK / TILT | | |
|-------------------|--------------------------------------|--------------------------------------|--------------------------------------|
| | 30" / 10° TILT | 36" / 15° TILT | 42" / 20° TILT |
| 30" | SHOWN ABOVE | AVERAGE FC: 20.07 MAX / MIN: 5.33 | AVERAGE FC: 18.50 MAX / MIN: 6.02 |
| 36" | AVERAGE FC: 16.14 MAX / MIN: 5.60 | SHOWN ABOVE | AVERAGE FC: 18.13 MAX / MIN: 4.24 |
| 42" | AVERAGE FC: 14.07 MAX / MIN: 5.45 | AVERAGE FC: 14.94 MAX / MIN: 4.50 | SHOWN ABOVE |

***ALL DATA REFLECTS 90C15A LUMEN PACKAGE**

CYLINDER 2 ADJUSTABLE SURFACE MOUNT

STATIC WHITE PERFORMANCE - 3000K

| LUMEN PACKAGE | WATTAGE | 10° OPTIC NO SOFT FOCUS LENS | | 15° OPTIC SOFT FOCUS LENS | | 25° OPTIC SOFT FOCUS LENS | | 40° OPTIC SOFT FOCUS LENS | | 60° OPTIC SOFT FOCUS LENS | | WALLWASH WALLWASH LENS | |
|---------------|---------|---------------------------------|----------|------------------------------|-----|------------------------------|-----|------------------------------|-----|------------------------------|-----|---------------------------|-----|
| | | DELIVERED | LPW | DELIVERED | LPW | DELIVERED | LPW | DELIVERED | LPW | DELIVERED | LPW | DELIVERED | LPW |
| 80C12A | 10 | 1000 | 58 (17W) | 872 | 87 | 739 | 73 | 727 | 73 | 775 | 78 | 807 | 81 |
| 80C19A | 17 | - | - | 1345 | 80 | 1139 | 67 | 1121 | 67 | 1196 | 71 | 1244 | 73 |
| 80C25A | 24 | - | - | 1786 | 75 | 1513 | 63 | 1488 | 62 | 1587 | 67 | 1699 | 71 |
| 90C10A | 10 | 848 | 49 (17W) | 721 | 72 | 611 | 61 | 601 | 60 | 641 | 64 | 691 | 69 |
| 90C15A | 17 | - | - | 1112 | 66 | 942 | 55 | 926 | 55 | 988 | 59 | 1066 | 62 |
| 90C20A | 24 | - | - | 1476 | 62 | 1251 | 52 | 1230 | 52 | 1312 | 55 | 1456 | 60 |
| 97C09A | 10 | 703 | 41 (17W) | 657 | 66 | 557 | 55 | 548 | 55 | 584 | 58 | 618 | 62 |
| 97C14A | 17 | - | - | 1014 | 61 | 859 | 50 | 845 | 50 | 901 | 54 | 905 | 53 |
| 97C19A | 24 | - | - | 1346 | 56 | 1140 | 47 | 1121 | 47 | 1196 | 50 | 1166 | 49 |
| 90W11A | 16 | - | - | - | - | 901 | 56 | 766 | 47 | 931 | 58 | 758 | 47 |
| 90W12A | 16 | - | - | - | - | 1013 | 63 | 861 | 53 | 1047 | 64 | 852 | 53 |
| 90T10A | 14 | - | - | 886 | 53 | 875 | 53 | 729 | 44 | 1061 | 64 | 940 | 56 |



JA8-2019 INDICATED BY SHADING

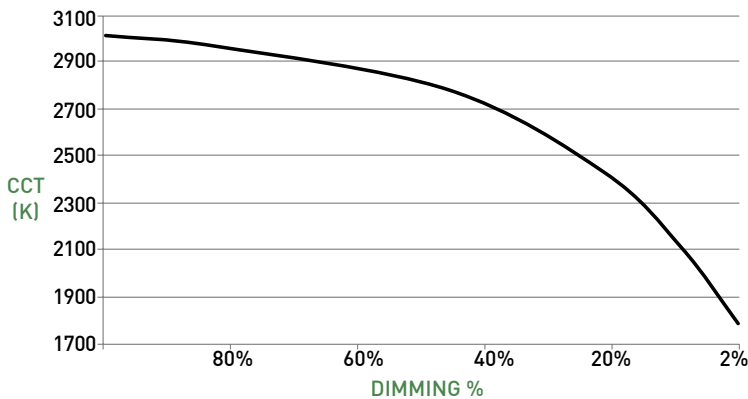
| OUTPUT MULTIPLIER | |
|--|-----------|
| CCT | CCT SCALE |
| 2200K (Consult factory for JA8 details) | 0.800 |
| 2700K | 0.957 |
| 3000K | 1.000 |
| 3500K | 1.019 |
| 4000K | 1.030 |

| LIGHT LOSS FACTOR MULTIPLIER | |
|------------------------------|------|
| No Lens | 1.05 |
| SFL | 1.00 |
| CGL | 1.00 |
| FGL | 0.90 |
| FSFL | 0.87 |
| FLSL | 0.83 |
| SFL W/ LINEAR SPREAD | 0.82 |
| CGL W/ LINEAR SPREAD | 0.82 |
| HCL | 0.65 |

WARM DIM PERFORMANCE - SOFT FOCUS LENS - 60° OPTIC

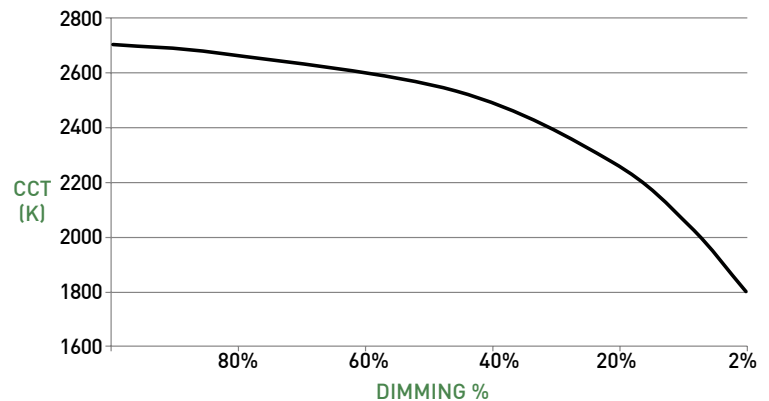
STANDARD WARM DIM PROFILE

| 90W12A 3000K - 1800K | Full on 100% | Dimmed to 80% | Dimmed to 70% | Dimmed to 50% | Dimmed to 20% | Dimmed to 10% | Dimmed to 2% |
|-------------------------|-----------------|------------------|------------------|------------------|------------------|------------------|-----------------|
| CCT (K) | 3000 | 2950 | 2920 | 2775 | 2375 | 2000 | 1800 |
| Light Output (Lm) | 1047 | 837 | 732 | 523 | 209 | 104 | 20 |
| Power (W) | 14 | 11 | 10 | 7 | 3 | 1.5 | 0.3 |
| Efficacy (LPW) | 64 | 64 | 64 | 64 | 64 | 64 | 64 |



WARM DIM TO MIRROR INCANDESCENT DIMMING PROFILE

| 90W11A 2700K - 1800K | Full on 100% | Dimmed to 80% | Dimmed to 70% | Dimmed to 50% | Dimmed to 20% | Dimmed to 10% | Dimmed to 2% |
|-------------------------|-----------------|------------------|------------------|------------------|------------------|------------------|-----------------|
| CCT (K) | 2700 | 2650 | 2620 | 2520 | 2180 | 1950 | 1800 |
| Light Output (Lm) | 931 | 744 | 651 | 465 | 186 | 93 | 18 |
| Power (W) | 16 | 13 | 11 | 8 | 3 | 1.7 | 0.3 |
| Efficacy (LPW) | 58 | 58 | 58 | 58 | 58 | 58 | 58 |

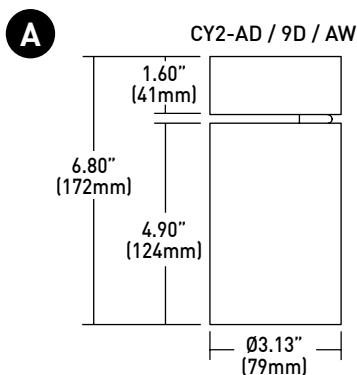


CYLINDER 2 ADJUSTABLE SURFACE MOUNT

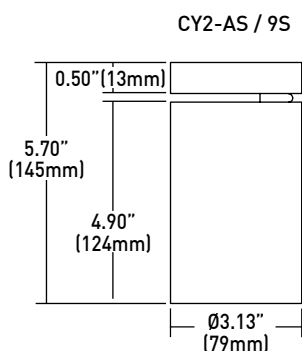
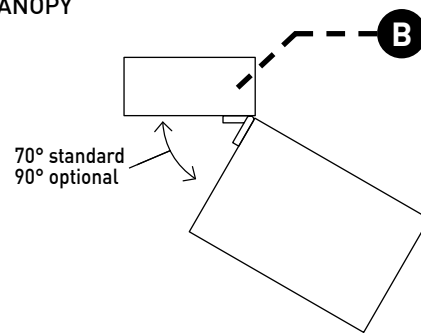
CYLINDER ASSEMBLY

- A LUMINAIRE**
Body with integrated heat sink and LED. Conceals hidden twist-on mounting hardware. Power supply may be integral or remote mount.
- B STANDARD CANOPY**
Die-cast canopy accommodates flat and slope ceiling conditions. Conceals hidden twist-on mounting hardware. "AD" (70° tilt, 357° rotation) and "9D" (90° tilt, 357° rotation) canopy features 1.60" (41mm) tall canopy. Available with integral or remote driver.
- C SHALLOW CANOPY**
Die-cast canopy accommodates flat and slope ceiling conditions. Conceals hidden twist-on mounting hardware. "AS" (70° tilt, 357° rotation) and "9S" (90° tilt, 357° rotation) canopy features 0.50" (13mm) tall canopy, reducing overall height. Requires remote power supply.
- D STANDARD OPTICS**
Proprietary optics available in 10°, 15°, 20°, 40° & 60° beams.
- WALLWASH OPTIC**
Precision tuned optic provides uniform wallwashing effect.
- E EFFECTS DEVICE**
Fixture body and accepts 1 lens; soft focus lens, no lens or wallwash lens standard. Sealed in place for Wet locations.
- F BAFFLE**
Threaded removable cowling provides virtually seamless joint with fixture body.

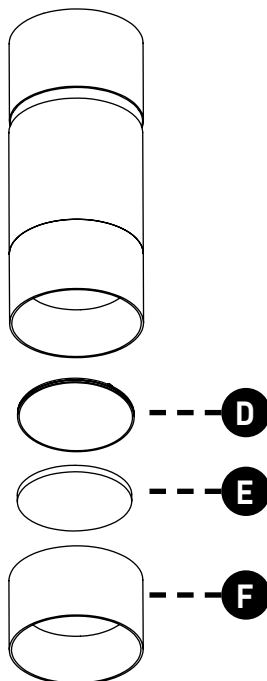
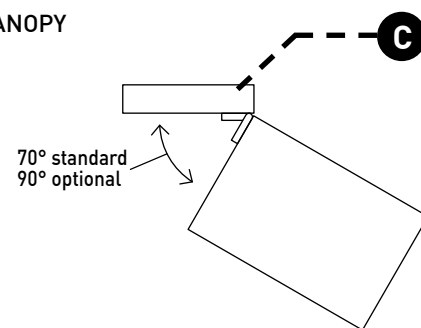
DIMENSIONS / DRAWINGS



STANDARD CANOPY



SHALLOW CANOPY

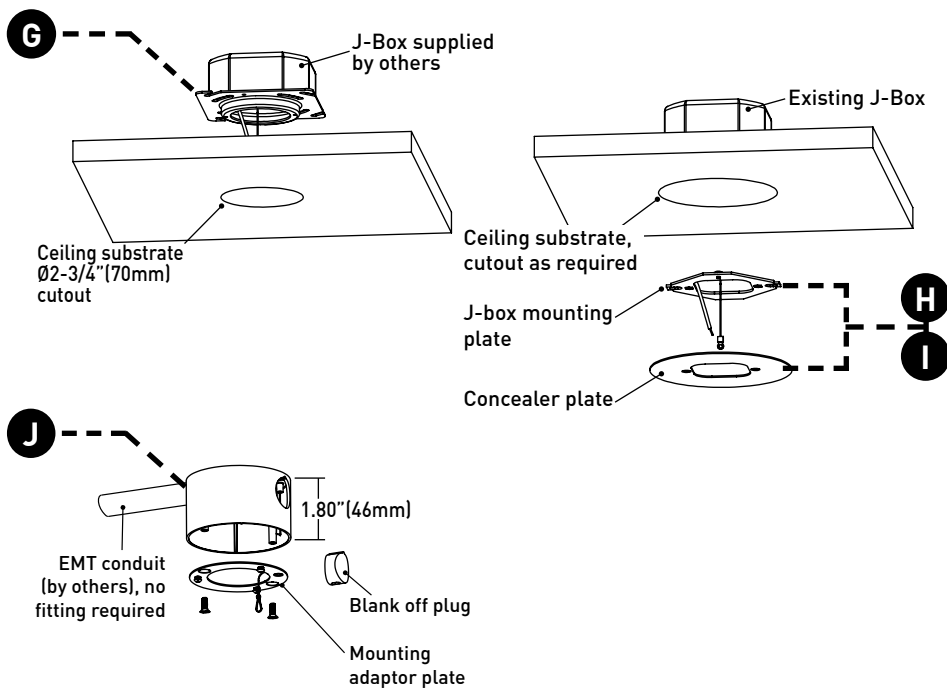


CYLINDER 2 ADJUSTABLE SURFACE MOUNT

MOUNTING

- G JBMP**
Mounting plate (concealed) for standard 4" square or 4" 4/0 j-box . To be installed during rough-in, prior to substrate, for ceiling thicknesses up to 0.75". Fixture to mount flush with minimalist transition to ceiling.
Part Number - CY2/3-JBMP
- H SMK3**
Surface mount kit includes mounting plate and 4" concealer plate that installs between fixture and standard 4" 4/0 j-box for existing applications where standard j-box cutout is to be concealed.
Part Number - CY2/3-SMK-3/0-(FINISH)
- I SMK4**
Surface mount kit includes mounting plate and 5" concealer plate that installs between fixture and standard 4" 4/0 j-box for existing applications where standard j-box cutout is to be concealed.
Part Number - CY2/3-SMK-4/0-(FINISH)
- J CMJB**
Ceiling mount junction box perfectly matches the cylinder profile for a continuous, integrated look where exposed ceiling mount junction box and conduit applications apply. For use with 1/2" and 3/4" EMT conduit only. Features two conduit entrances on either side and one conduit knockout on top of j-box. J-box is IP10 rated; painted finishes only. Blank off plugs included.
Part Number - CY2-CMJB-(FINISH)

DIMENSIONS / DRAWINGS

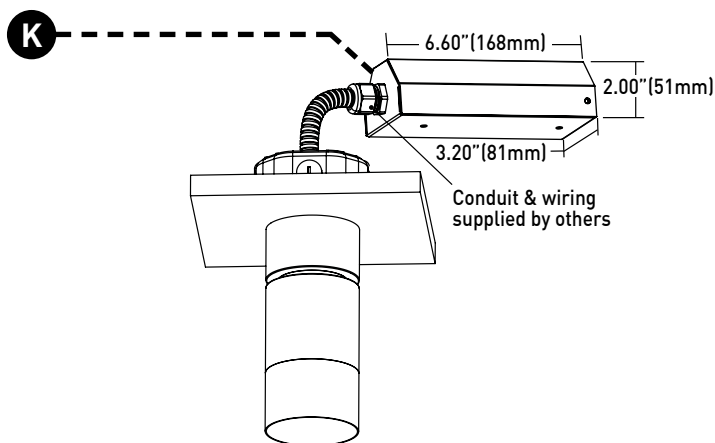


MOUNTING NOTES

- CY2/3-JBMP and CY2/3-SMK-3/0 & 4/0 not recommended for use with pancake style j-box.
- Fixtures are surface mount and must have access to free air. For applications involving slat ceilings or confined mounting, consult Comprehensive Install Guide for required clearances for proper air flow and servicing.

REMOTE POWER SUPPLY

- K PS-RMT**
Remote power supply provides additional driver options. Mounting device still required. Consult page 8 for maximum allowable secondary run lengths between PS-RMT and cylinder.



CYLINDER 2 ADJUSTABLE SURFACE MOUNT

TECHNICAL CONSTRUCTION

Cylinder: Machined aluminum body; extruded aluminum internal heat-sink; painted finishes are granulated powder coat.

CMJB: Die-cast aluminum body; painted finishes are granulated powder coat.

Remote Power Supply: 22 Gauge galvanized steel.

STATIC WHITE LED

2-step MacAdam ellipse LED module available in 80+, 90+ and 97+ CRI configurations in color temperatures of 2200K, 2700K, 3000K, 3500K and 4000K. Average rated lamp life: 50,000 hours. LED and driver assemblies are field-replaceable.

WARM DIM LED

3-step MacAdam ellipse warm dim LED module available in 90+ CRI configuration. 3000K or 2700K at full brightness, warming to 1800K at full dim. Average rated lamp life of 50,000 hours. LED and driver assemblies are field-replaceable.

TUNABLE WHITE LED

5-step MacAdam ellipse tunable white LED module available in 90+ CRI configuration. Features tuning range of 2700K to 5000K. Average rated lamp life of 50,000 hours. Driver assemblies are field-replaceable.

POWER SUPPLY PERFORMANCE AND DIMMING INFORMATION

| Power Supply | CA3 | CE3 | TR2 | L23 | LH1 | AN4 | LN2 | EA2 | LA2 | ED1 | LD1 | DN1 | DG1 | DD1 |
|--------------|--------|--------|--------|-------|-------|--------|--------|--------|--------|--------|--------|--------|--------|--------|
| Minimum °C | -20 °C | -20 °C | -20 °C | 0 °C | 0 °C | -20 °C | -20 °C | -20 °C | -20 °C | -20 °C | -20 °C | -20 °C | -20 °C | -20 °C |
| Maximum °C | 40 °C | 40 °C | 40 °C | 40 °C | 40 °C | 40 °C | 40 °C | 40 °C | 40 °C | 40 °C | 40 °C | 40 °C | 40 °C | 40 °C |
| Dimming % | 2.0% | 2.0% | 2.0% | 1.0% | 1.0% | 1.0% | 1.0% | 0.1% | 0.1% | 0.1% | 0.1% | 0.1% | 0.1% | 0.1% |

Note: For TR2, L23, LH1, AN4, LN2, EA2 and LA2 drivers consult chart on page 9 to confirm appropriate dimming curve for compatibility with selected control.

MAXIMUM ALLOWABLE REMOTE DRIVER WIRING DISTANCES

| DRIVER | WIRE AWG | | | | |
|-----------------------------------|----------|------|------|-----|-----|
| | 12 | 14 | 16 | 18 | 20 |
| TR2, AN4, LN2 | 285' | 180' | 113' | 71' | 45' |
| L23, LH1 | 60' | 40' | 25' | 15' | - |
| EA2, LA2, ED1, LD1, DD1, DG1, DN1 | - | - | 118' | 72' | 46' |

WALLWASH SPACING

Cylinder must be tilted to achieve wallwashing effect. Recommended fixture spacing is 36" (914mm) on center with 36" (914mm) setback from wall plane with 30° tilt.

MOUNTING

Cylinder is supplied with a mounting adaptor plate, which integrates with required additional mounting accessories specified separately according to field application conditions, providing a minimalist transition from standard 4/0 or 4" square junction boxes and accommodating ceiling thicknesses of 0.44" (12mm) to 0.75" (19mm). Ceiling-mount junction box available for 1/2" (13mm) and 3/4" (19mm) conduit and feature concealed internal clamps for clean fitting-free conduit exit and entry.

LISTING

cTUVus listed to UL1598 standard for Dry / Damp locations. Title 24 JA8-2019 Listed.

DECLARE

LBC Declared.

WEIGHT

Cylinder / Mounting - 2.8 lbs max

Remote Driver - 1.4 lbs

LIMITED WARRANTY

Manufacturer's 1-year warranty guarantees product(s) listed to be free from defects in material and workmanship under normal use and service. 5-year warranty on LED and power supply to operate with 70% of the original flux and remain within a range of 3 duv. 10-year Lutron Advantage limited warranty available on Lutron equipped systems. Warranty period begins from the date of shipment by Seller and conditional upon the use of manufacturer-supplied power supply. Consult [website](#) for full warranty terms and conditions.

CHANGE LOG

- 1.01/12/2021: ADDED 2200K, 2700K-1800K WARM DIM AND 10 DEGREE OPTIC OFFERINGS.
- 2.04/26/2021: ADDED FIXED BODY WALLWASH, AND LP1 DRIVER OFFERINGS.
- 3.11/17/2021: UPDATED 25° PHOTOMETRICS.
- 4.06/21/2022: ADDED SOFT FOCUS LENS W/ LINEAR SPREAD FILM, AND CLEAR GLASS LENS W/ LINEAR SPREAD FILM.
- 5.10/17/2022: REMOVED 90W13A 3200K-1800K WARM DIM AND ADDED 90W12A 3000K-1800K WARM DIM.
- 6.12/8/22: ADDED TUNABLE WHITE OFFERING AND RESPECTIVE PERFORMANCE DATA.
- 7.04/26/2023: ADDED DECLARE LBC APPROVED.

CYLINDER 2 ADJUSTABLE SURFACE MOUNT

DIMMING COMPATIBILITY

PHILIPS DRIVER COMPATIBILITY

| Power supply TR2 Manufacturer | Family/Model # |
|---|-----------------------|
| Lutron Electronics | DV-600P |
| Lutron Electronics | DVELV-303P |
| Lutron Electronics | NTELV-600 |
| Lutron Electronics | MAELV-600 |
| Lutron Electronics | SELV-300P |
| Lutron Electronics | DVLV-600P |
| Lutron Electronics | NFTU-5A |
| Lutron Electronics | CTCL-153P |
| Lutron Electronics | GL-600H |
| Lutron Electronics | S-600P |
| Lutron Electronics | PHPM |
| Power supply AN4 / LN2 Manufacturer | Family/Model # |
| Lutron Electronics | DVTV plus PP-DV |
| Lutron Electronics | DVSCTV plus PP-DV |
| Lutron Electronics | DVSTV |
| Lutron Electronics | DVSCSTV |
| Lutron Electronics | QSGRJ-XP plus GRX-TVI |
| Lutron Electronics | QSGRJ-XE plus GRX-TVI |
| Lutron Electronics | QSGR-XE plus GRX-TVI |
| Lutron Electronics | NFTV plus PP-DV |
| Lutron Electronics | NTSTV |
| Lutron Electronics | RMJ-5T |
| Lutron Electronics | RMJS-8T |
| Lutron Electronics | FCJS-010 |
| Leviton | IlumaTch IP7 series |
| Philips | Sunrise - SR1200ZTUNV |

LUTRON DRIVER COMPATIBILITY

| Power supply L23 Lutron Product Family | Part No. |
|---|----------------------------------|
| Maestro WirelessR 600 W dimmer | MRF2-6ND-120- |
| Maestro WirelessR 1000 W dimmer | MRF2-10ND-120- |
| Caséta® Wireless Pro 1000 W dimmer | PD-10NXD- |
| GRAFIK T™ CL® dimmer | GT-250M-GTJ-250M- |
| HomeWorks® QS adaptive dimmer | HQRD-6NA- |
| HomeWorks® QS 600 W dimmer | HQRD-6ND- |
| HomeWorks® QS 1000 W dimmer | HQRD-10ND- |
| RadioRA® 2 adaptive dimmer | RRD-6NA- |
| RadioRA® 2 1000 W dimmer | RRD-10ND |
| myRoom™ DIN power module | MQSE-4A1-D |
| HomeWorks® QS DIN power module | LQSE-4A1-D |
| HomeWorks® QS wallbox power module | HQRJ-WPM-6D-120 |
| HomeWorks® wallbox power module | HWI-WPM-6D-120 |
| GRAFIK Eye® QS control unit | QSGR-, QSGRJ- |
| GRAFIK Eye® 3000 control unit | GRX-3100-GRX-3500- |
| RPM-4U module (LCP, HomeWorks® QS, GRAFIK Systems™, Quantum®) | HW-RPM-4U-120 LP-RPM-4U-120 |
| RPM-4A module (LCP, HomeWorks® QS, GRAFIK Systems™, Quantum®) | HW-RPM-4A-120, LP-RPM-4A-120 |
| GP dimming panels | Various |
| Ariadni CL 250W dimmer | AYCL-253P- |
| Diva CL 250W dimmer | DVCL-253P-DCSCCL-253P- |
| Nova T CL 250W dimmer | NTCL-250- |
| Power supply LH1 Lutron Product Family | Part No. |
| PowPak Dimming Modules | RMJ-ECO32-DV-B |
| PowPak Dimming Modules | FCJ/FCJS-ECO |
| Energi Savr Nodes | QSN-1ECO-S |
| GRAFIK Eye QS control unit | QSN-2ECO-S |
| Homeworks QS control unit | QSGRJ- _E (wireless) QSGR- _E |
| Quantum Hub | QP2-__ 2C |
| Quantum Hub | QP2-__ 4C |
| Quantum Hub | QP2-__ 6C |
| Quantum Hub | QP2-__ 8C |
| Homeworks QS power module | LQSE-2ECO-D |
| myRoom Plus power module | |

eldoLED DRIVER COMPATIBILITY

| Power supply EA2 / LA2 Dimmer / Switch Control Manufacturer | Family/Model # |
|---|--------------------------------|
| Busch-Jaeger | 2112U-101 |
| Jung | 240-10 |
| Leviton Lighting Controls | IP710-DLX |
| Lightolier Controls | ZP600FAM120 |
| Lutron Electronics | Nova T® - NTFTV |
| Lutron Electronics | Div@® - DVTV |
| Lutron Electronics | Nova@® - NFTV |
| Merten | 5729 |
| Pass & Seymour | CD4FB-W |
| The Watt Stopper | DCLV1 |
| Sensor Switch | nI0 EZ |
| Synergy | ISD BC |
| Power supply EA2 / LA2 Lighting Control Systems Manufacturer | Family/Model # |
| Lutron Electronics | GrafixEye® GRX-TVI w GRX3503 |
| Lutron Electronics | Energy Savr Node™ - QSN-4T16-S |
| Lutron Electronics | TVM2 Module |
| Crestron® | GLX-DIMFLV8 |
| Crestron® | GLXP-DIMFLV8 |
| Crestron® | GLPAC-DIMFLV4-* |
| Crestron® | GLPAC-DIMFLV8-* |
| Crestron® | GLPP-DIMFLVEX-PM |
| Crestron® | GLPP-1DIMFLV2EX-PM |
| Crestron® | GLPP-1DIMFLV3EX-PM |
| Crestron® | DIN-A08 |
| Crestron® | DIN-4DIMFLV4 |
| Crestron® | CLS-EXP-DIMFLV |
| Crestron® | CLCI-1DIMFLV2EX |
| ABB | SD/S 2.16.1 |

