

CYLINDER 3

SUSPENDED CABLE UP/ DOWN

Our best-selling cylinders keep getting better. Suspended cylinders are offered in a broad range of sizes and more than a dozen finish options, with field-cutttable cables and lumens from 800 to almost 4000lm.

| | |
|---------------|-------|
| PROJECT NAME: | TYPE: |
|---------------|-------|



ORDERING INFORMATION



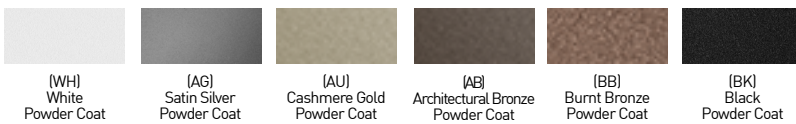
Quick Ship Product. All rough in components ship within 10 days up to quantities of 100.



JA8-2022 COMPLIANCE INDICATED BY SHADING

| CYLINDER | LENGTH | FUNCTION | RATING | CYLINDER FINISH | BAFFLE FINISH | CRI / WATTAGE PACKAGE | CCT | LOWER OPTIC (UGR) | LOWER MEDIA | POWER SUPPLY | MOUNTING |
|--------------|---|-----------|---------------------|---|---|---|--|--|--|--|---|
| CP3X | | U | 1 | | | | | | | | |
| CP3X 3.91" Ø | 096W 96" White 192W 192" White 096B 96" Black 192B 192" Black XXXB Black Cable* XXXW White Cable* *(Specify length in inches) *(Cable is field cuttable) | U Up/Down | 1 Dry / Damp (IP30) | POWDERCOAT FINISHES WH White AG Satin Silver AU Cashmere Gold AB Architectural Bronze BB Burnt Bronze BK Black CF Custom Finish* <i>*(Consult Factory)</i> ALUMINA FINISHES 01 Brushed Obsidian 02 Matte Obsidian 03 Brushed Dark Patinated Bronze 04 Matte Dark Patinated Bronze 05 Brushed Aged Aluminum 06 Matte Aged Aluminum 07 Brushed Cast Brass 08 Matte Cast Brass 09 Brushed Light Patinated Bronze 10 Matte Light Patinated Bronze | POWDERCOAT FINISHES WH White AG Satin Silver AU Cashmere Gold AB Architectural Bronze BB Burnt Bronze BK Black CF Custom Finish* <i>*(Consult Factory)</i> ALUMINA FINISHES 01 Brushed Obsidian 02 Matte Obsidian 03 Brushed Dark Patinated Bronze 04 Matte Dark Patinated Bronze 05 Brushed Aged Aluminum 06 Matte Aged Aluminum 07 Brushed Cast Brass 08 Matte Cast Brass 09 Brushed Light Patinated Bronze 10 Matte Light Patinated Bronze | STATIC WHITE 80S11B 80+ CRI, 11W Down, 14W Up Down: 1240 lm delivered Up: 1235 lm delivered 80S17B 80+ CRI, 17W Down, 14 W Up Down: 1943 lm delivered Up: 1235 lm delivered 80S23B 80+ CRI, 23W Down, 14 W Up Down: 2559 lm delivered Up: 1235 lm delivered 90S11B 90+ CRI, 11W Down, 14W Up Down: 1060 lm delivered Up: 1074 lm delivered 90S17B 90+ CRI, 17W Down, 14W Up Down: 1661 lm delivered Up: 1074 lm delivered 90S23B 90+ CRI, 23W Down, 14W Up Down: 1642 lm delivered Up: 1074 lm delivered WARM DIM 90W15A 90+ CRI, 15 Down, 14W Up Incandescent Profile Down: 1144 lm delivered Up: 1227 lm delivered Halogen Profile Down: 1076 lm delivered Up: 1227 lm delivered 90W24B 90+ CRI, 24W Down, 14W Up Incandescent Profile Down: 1642 lm delivered Up: 1227 lm delivered Halogen Profile Down: 1777 lm delivered Up: 1227 lm delivered *ALL DELIVERED LUMEN OUTPUTS AND REFLECT 3000K PAIRED WITH 20° OPTIC AND SOFT FOCUS LENS. | 24 2400K* <i>*(90+CRI only)</i> 27 2700K 30 3000K 35 3500K 40 4000K | 10 10°* (<10) <i>*(17 Watts only)</i> 15 15° (<13) 20 20° (<10) 25 25° (<10) 40 40° (<10) 60 60° (<13) | STANDARD MEDIA 4 Soft Focus Lens (SFL)* <i>*(Required for 10° optic)</i> ALTERNATE MEDIA 0 No Lens* <i>*(Not available for Warm Dim)</i> 2 Honey Comb Louver (HCL)* <i>*(Not available for Warm Dim)</i> 3 Clear Glass Lens (CGL)* <i>*(Not available for Warm Dim)</i> 5 Frosted Glass Lens (FGL) 6 Frosted Soft Focus Lens (FSFL) 7 Frosted Linear Spread Lens (FLSL) C Clear Glass Film w/ Honeycomb Louver S Soft Focus Film w/ Honeycomb Louver | INTEGRAL 15N 0-10V, 1% LIN 15G 0-10V, 1% LOG PH6 Forward/Reverse Phase, 1%* <i>*(11B & 15A packages only)</i> REMOTE (120V) (17 WATT MAXIMUM) 1TR Philips, 2% Forward/Reverse 1RE Forward/Reverse REMOTE (120-277V) URA 0-10V Analog* <i>*(Not available for 23W/24W)</i> ULH Lutron Hi-Lume Ecosystem 1% Fade to Black UAN Philips Titanium 1% 0-10V, LOG ULN Philips Titanium 1% 0-10V, LIN UEG eldoLED, 0.1% 0-10V, LOG UEN eldoLED, 0.1% 0-10V, LIN UED eldoLED, 0.1% DALI-2, LOG ULD eldoLED, 0.1% DALI-2, LIN UAS1/ Athena Control UASR EldoLED 0.1% 120-277V* UCS1/ Casambi Control UCSR EldoLED 0.1% 120-277V* <i>*(Includes Node. Extended lead time, consult factory. UASR/UCSR includes shunt.)</i> | ROUGH-IN JBMP 4" Sq. or 4/0 Junction Box Mounting Plate FINISH OUT CMJB * 1/2" and 3/4" Conduit Ceiling Mount Junction Box* <i>*(Available in powdercoat finishes. Alumina finish fixtures ship with Black powdercoat CMJB.)</i> SMK3 3/0 Surface Mount Kit* SMK4 4/0 Surface Mount Kit* <i>*(Available in powdercoat finishes.)</i> |

POWDERCOAT FINISHES



ALUMINA FINISHES BY LUCIFER LIGHTING™



PART NUMBER NOTES

- CP3X ships as e.g., CP3X048U1WHBK80S23B1SN4
- Remote driver ships as e.g., PS-RMT-80S23B-11SN
- Mounting part numbers listed on page 5

CYLINDER 3 SUSPENDED CABLE UP/DOWN

ACCESSORIES

REPLACEMENT MEDIA

- SFL-CY3X-03** Soft Focus Lens
- HCL-CY3X-03** Honeycomb Louver *
- CGL-CY3X-03** Clear Glass Lens *
- FGL-CY3X-03** Frosted Glass Lens
- FSFL-CY3X-03** Frosted Soft Focus Lens
- FLSL-CY3X-03** Frosted Linear Spread Lens
- CGL-HCL-CY3X-03** Clear Glass Film W/ Honeycomb Louver
- SFL-HCL-CY3X-03** Soft Focus Film W/ Honeycomb Louver

STATIC WHITE REPLACEMENT OPTICS

- RO-70-15-S** 15° optic
- RO-70-20-S** 20° optic
- RO-70-25-S** 25° optic
- RO-70-40-S** 40° optic
- RO-70-60-S** 60° optic

WARM DIM REPLACEMENT OPTICS

- RO-70-20-W** 20° optic
- RO-70-25-W** 25° optic
- RO-70-40-W** 40° optic
- RO-70-60-W** 60° optic

SUCTION CUP TOOL

- CYX-TOOL-SUCTION** Baffle removal tool, provided with every 5 fixtures

EMERGENCY LIGHTING - REMOTE MOUNT ONLY

During disruption of main power, emergency battery inverter provides temporary 120V or 277V to fixture.

- EMB-S-100-120-LEDX** 100 watt max capacity, 120 VAC 60Hz, 0-10V dimmable
- EMB-S-100-277-LEDX** 100 watt max capacity, 277 VAC 60Hz, 0-10V dimmable
- EMB-S-250-120/277-LEDX** 250 watt max capacity, 120 or 277 VAC 60Hz

***SHUNT REQUIRED FOR USE WITH ATHENA AND CASAMBI CONTROLS, CONSULT FACTORY FOR DETAILS.**

CYLINDER 3 SUSPENDED CABLE UP/DOWN

STATIC WHITE PERFORMANCE - 3000K

| LUMEN PACKAGE | WATTAGE | 10° OPTIC FIELD REDUCER | | 15° OPTIC SOFT FOCUS LENS | | 20° OPTIC SOFT FOCUS LENS | | 25° OPTIC SOFT FOCUS LENS | | 40° OPTIC SOFT FOCUS LENS | | 60° OPTIC SOFT FOCUS LENS | |
|-----------------------|---------|-------------------------|-----|---------------------------|-----|---------------------------|-----|---------------------------|-----|---------------------------|-----|---------------------------|-----|
| | | DLVD | LPW | DLVD | LPW | DLVD | LPW | DLVD | LPW | DLVD | LPW | DLVD | LPW |
| 80S11B | 11 | - | - | 1169 | 106 | 1240 | 112 | 1243 | 112 | 1185 | 107 | 1156 | 105 |
| 80S17B/C | 17 | 819 | 48 | 1771 | 104 | 1943 | 114 | 1931 | 113 | 1858 | 109 | 1801 | 105 |
| 80S23B | 23 | - | - | 2301 | 100 | 2559 | 111 | 2541 | 110 | 2409 | 104 | 2373 | 103 |
| 90S11B | 11 | - | - | 1008 | 91 | 1060 | 96 | 1062 | 96 | 1013 | 92 | 988 | 89 |
| 90S17B/C | 17 | 706 | 42 | 1527 | 89 | 1661 | 97 | 1650 | 97 | 1588 | 93 | 1539 | 90 |
| 90S23B | 23 | - | - | 1984 | 86 | 2187 | 95 | 2172 | 94 | 2059 | 89 | 2028 | 88 |
| 90W15AL (2700K-1800K) | 15 | - | - | - | - | 1642 | 71 | 1626 | 70 | 1556 | 67 | 1491 | 65 |
| 90W15AD (3000K-1800K) | 15 | - | - | - | - | 1777 | 77 | 1742 | 75 | 1685 | 73 | 1600 | 69 |
| 90W24BL (2700K-1800K) | 24 | - | - | - | - | 1642 | 71 | 1626 | 70 | 1556 | 67 | 1491 | 65 |
| 90W24BD (3000K-1800K) | 24 | - | - | - | - | 1777 | 77 | 1742 | 75 | 1685 | 73 | 1600 | 69 |

TITLE 24 JA8-2022 INDICATED BY SHADING

UNIFIED GLARE RATING

| 10° OPTIC FIELD REDUCER | 15° OPTIC SOFT FOCUS LENS | 20° OPTIC SOFT FOCUS LENS | 25° OPTIC SOFT FOCUS LENS | 40° OPTIC SOFT FOCUS LENS | 60° OPTIC SOFT FOCUS LENS |
|-------------------------|---------------------------|---------------------------|---------------------------|---------------------------|---------------------------|
| <10 | <13 | <10 | <10 | <10 | <13 |

UPLIGHT PERFORMANCE BY CCT

| CCT | WATTAGE | 80S14L | | 90S14L | |
|-------------|---------|--------------------------------|-----|--------|-----|
| | | DLVD | LPW | DLVD | LPW |
| 2700K | 14 | 1198 | 87 | 988 | 73 |
| 3000K | 14 | 1235 | 88 | 1074 | 78 |
| 3500K | 14 | 1289 | 94 | 1129 | 82 |
| 4000K | 14 | 1336 | 97 | 1062 | 96 |
| CCT | WATTAGE | 90W14LD (3000K-1800K WARM DIM) | | | |
| | | DLVD | | LPW | |
| 3000K-1800K | 14 | 1198 | | 73 | |

OUTPUT MULTIPLIER

| CCT | CCT SCALE |
|-------|-----------|
| 2400K | 0.76 |
| 2700K | 0.957 |
| 3000K | 1.000 |
| 3500K | 1.019 |
| 4000K | 1.030 |

MEDIA LIGHT LOSS FACTOR

| MEDIA | LIGHT LOSS FACTOR |
|---------|-------------------|
| No Lens | 1.07 |
| CGL | 0.99 |
| SFL | 1.00 |
| FGL | 0.88 |
| FSFL | 0.91 |
| FLSL | 0.81 |
| HCL | 0.71 |
| SFL+HCL | 0.66 |

WARM DIM PERFORMANCE - SOFT FOCUS LENS - 20° OPTIC

INCANDESCENT DIMMING PROFILE

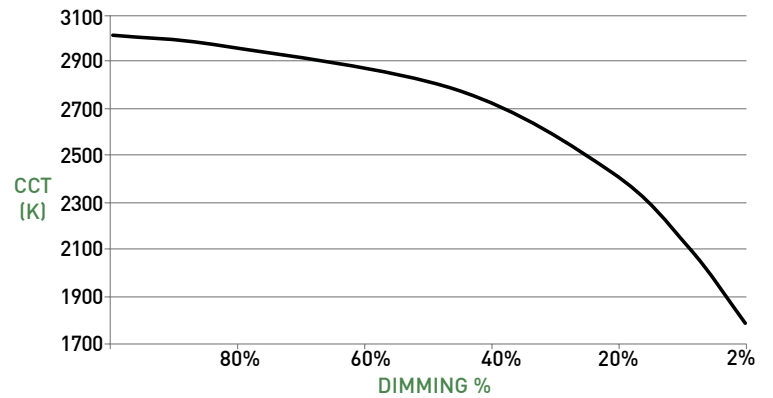
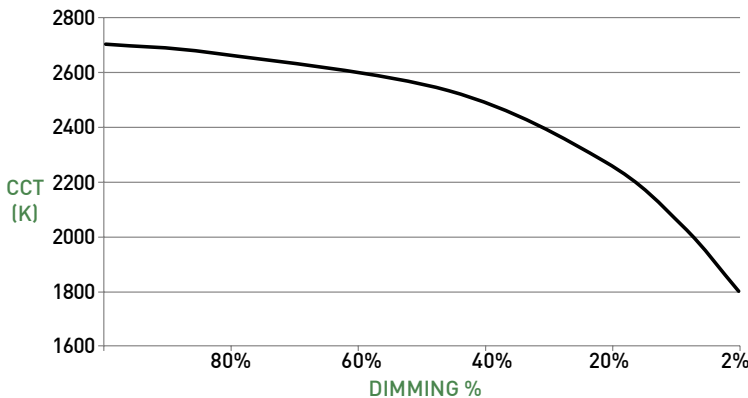
| 90W15AL 2700K - 1800K | Full on 100% | Dimmed to 80% | Dimmed to 70% | Dimmed to 50% | Dimmed to 20% | Dimmed to 10% | Dimmed to 2% |
|-----------------------|--------------|---------------|---------------|---------------|---------------|---------------|--------------|
| CCT (K) | 2700 | 2650 | 2620 | 2520 | 2180 | 1950 | 1800 |
| Light Output (Lm) | 1076 | 861 | 753 | 538 | 215 | 108 | 22 |
| Power (W) | 15 | 12 | 11 | 8 | 3 | 1.5 | 0.3 |
| Efficacy (LPW) | 72 | 72 | 72 | 72 | 72 | 72 | 72 |

HALOGEN DIMMING PROFILE

| 90W15AD 3000K - 1800K | Full on 100% | Dimmed to 80% | Dimmed to 70% | Dimmed to 50% | Dimmed to 20% | Dimmed to 10% | Dimmed to 2% |
|-----------------------|--------------|---------------|---------------|---------------|---------------|---------------|--------------|
| CCT (K) | 3000 | 2950 | 2920 | 2775 | 2375 | 2000 | 1800 |
| Light Output (Lm) | 1144 | 915 | 801 | 572 | 229 | 114 | 23 |
| Power (W) | 15 | 12 | 11 | 8 | 3 | 1.5 | 0.3 |
| Efficacy (LPW) | 76 | 76 | 76 | 76 | 76 | 76 | 76 |

| 90W24BL 2700K - 1800K | Full on 100% | Dimmed to 80% | Dimmed to 70% | Dimmed to 50% | Dimmed to 20% | Dimmed to 10% | Dimmed to 2% |
|-----------------------|--------------|---------------|---------------|---------------|---------------|---------------|--------------|
| CCT (K) | 2700 | 2650 | 2620 | 2520 | 2180 | 1950 | 1800 |
| Light Output (Lm) | 1642 | 1314 | 1149 | 821 | 328 | 164 | 33 |
| Power (W) | 24 | 18 | 16 | 12 | 5 | 2.3 | 0.5 |
| Efficacy (LPW) | 71 | 71 | 71 | 71 | 71 | 71 | 71 |

| 90W24BD 3000K - 1800K | Full on 100% | Dimmed to 80% | Dimmed to 70% | Dimmed to 50% | Dimmed to 20% | Dimmed to 10% | Dimmed to 2% |
|-----------------------|--------------|---------------|---------------|---------------|---------------|---------------|--------------|
| CCT (K) | 3000 | 2950 | 2920 | 2775 | 2375 | 2000 | 1800 |
| Light Output (Lm) | 1777 | 1422 | 1244 | 889 | 355 | 178 | 36 |
| Power (W) | 24 | 18 | 16 | 12 | 5 | 2.3 | 0.5 |
| Efficacy (LPW) | 74 | 74 | 74 | 74 | 74 | 74 | 74 |

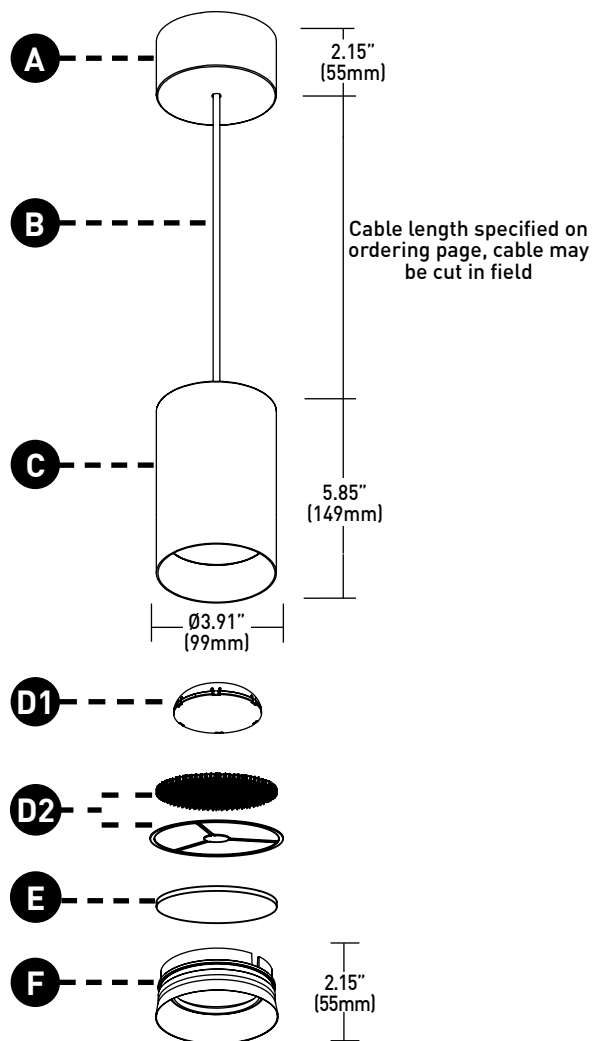


CYLINDER 3 SUSPENDED CABLE UP/DOWN

PENDANT

DIMENSIONS / DRAWINGS

- A CANOPY**
Die-cast 2.15" (55mm) canopy accommodates flat and slope ceiling conditions. Conceals hidden twist-on mounting hardware. Available with integral or remote driver.
- B CABLE**
Black and white wiring harness available; up to 192.0" length; cable may be cut in field.
- C LUMINAIRE**
Die-cast body with integral heat sink and LED.
- D1 OPTICS**
Robust light engine with optimized optic pairing integrates Reflection, Refraction, and TIR offering 10°, 15°, 20°, 25°, 40° & 60° beams. Uplight does not feature optic.
- D2 10° FIELD REDUCER**
Included with 10° optic. Reduces field angle by 16%.
- E MEDIA**
Cylinder baffle assembly can accept 2 lenses; soft focus lens or no lens standard. Uplight media features high performance diffusion film.
- F BAFFLE**
Die-cast baffle minimizes aperture glare and conceals view into fixture.

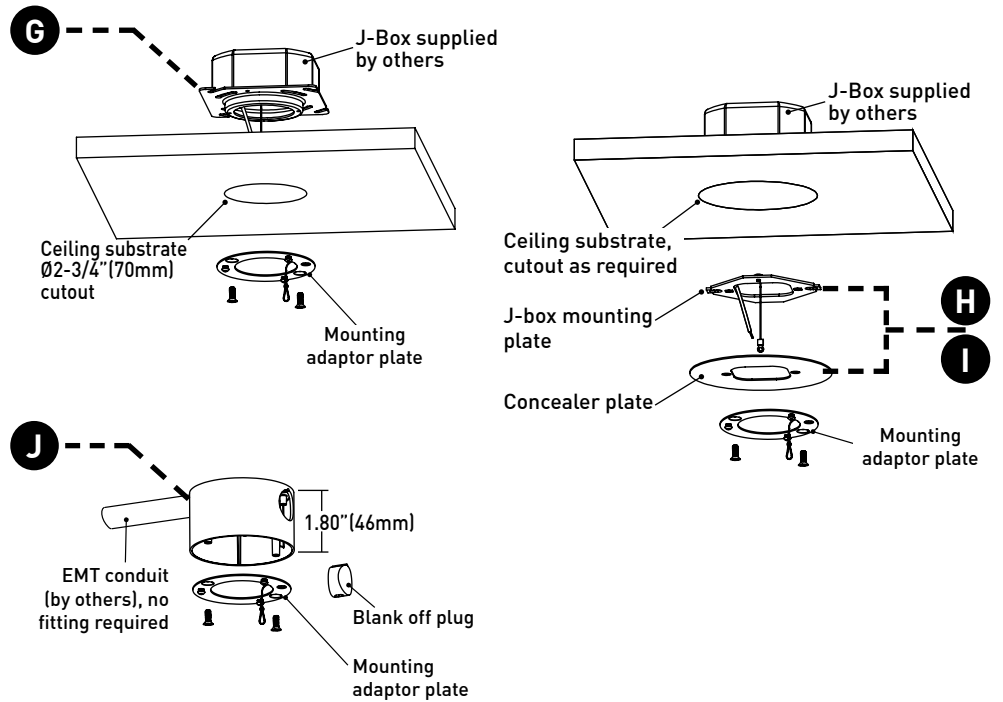


CYLINDER3 SUSPENDED CABLE UP/DOWN

MOUNTING

- G JBMP**
Mounting plate (concealed) for standard 4" square or 4" 4/0 j-box. To be installed during rough-in prior to substrate. Fixture to mount flush with minimalist transition to ceiling.
Part Number - CP3X-JBMP
- H SMK3**
Surface mount kit includes mounting plate and 4" concealer plate that installs between fixture and standard 3" 3/0 j-box for existing applications where standard j-box cutout is to be concealed.
Part Number - CP3X-SMK-3/0-(FINISH)
- I SMK4**
Surface mount kit includes mounting plate and 5" concealer plate that installs between fixture and standard 4" 4/0 j-box for existing applications where standard j-box cutout is to be concealed.
Part Number - CP3X-SMK-4/0-(FINISH)
- J CMJB**
Ceiling mount junction box perfectly matches the cylinder profile for a continuous, integrated look where exposed ceiling mount junction box and conduit applications apply. For use with 1/2" and 3/4" EMT conduit only. Features two conduit entrances on either side and one conduit knockout on top of j-box. J-Box is IP10 rated; painted finishes only. Blank off plugs included.
Part Number - CP3X-CMJB-(FINISH)

DIMENSIONS / DRAWINGS

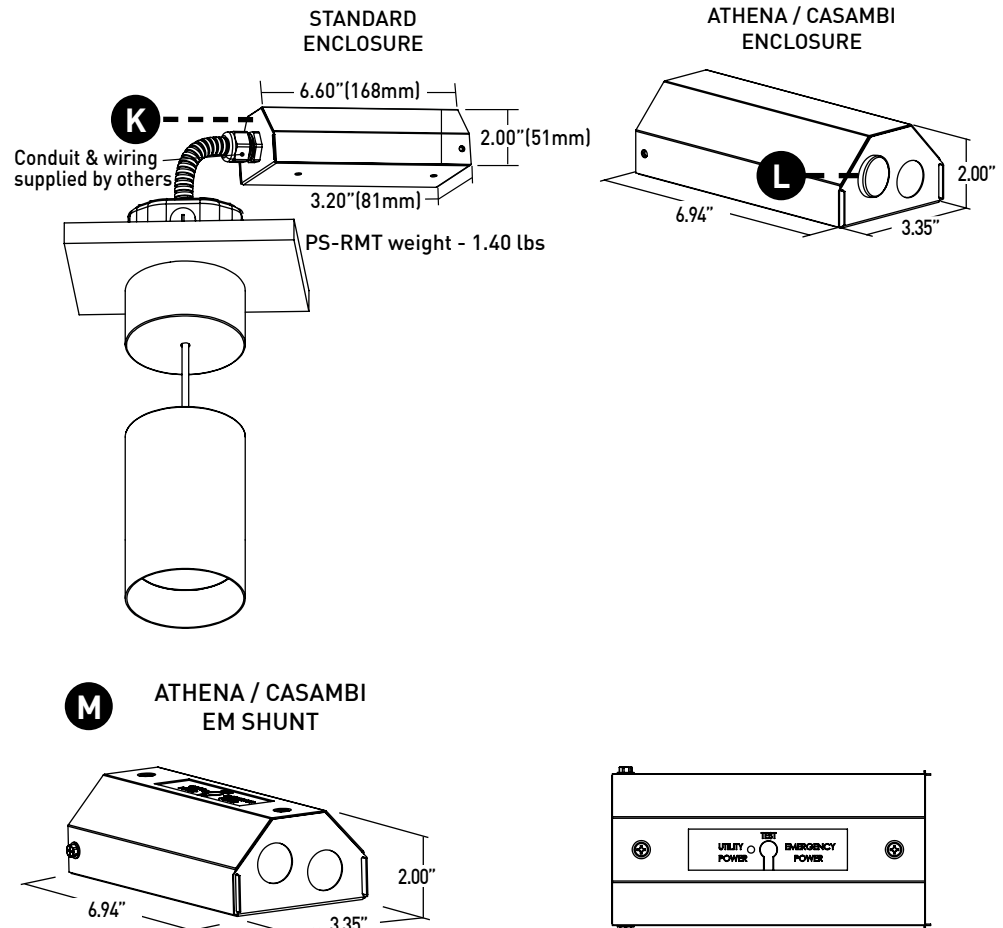


MOUNTING NOTES

- JBMP and SMK-3/0 & 4/0 not recommended for use with pancake style j-box.
- Fixtures are surface mount and must have access to free air. For applications involving slat ceilings or confined mounting, consult Comprehensive Install Guide for required clearances for proper air flow and servicing.

REMOTE POWER SUPPLY

- K PS-RMT**
Remote power supply must be mounted in accessible area. Mounting device still required. Consult page 7 for dimming compatibility list. Consult install guide for complete details of suitable controls, wiring diagrams, and maximum allowable secondary run lengths between PS-RMT and cylinder.
- L ATHENA / CASAMBI CONTROL**
Controls integrated into remote driver assembly. All equipment is serviceable.
Athena Model Number: A-WN-D01-RF-BL & DC-0EM-DBI
Casambi Model Number: BT-S1E1-5400
- M ATHENA / CASAMBI EM SHUNT**
Included with drivers specified as ASR, ADR, CSR, or CDR. One required for each wireless EM fixture, requires class 2 control wiring between fixture and shunt. Features integrated test switch.
Model Number: PS-RMT-SHUNT



CYLINDER 3 SUSPENDED CABLE UP/DOWN

TECHNICAL

CONSTRUCTION

Pendant: Die-cast aluminum body with integrated heat sink; painted finishes are granulated powder coat. Alumina finishes are anodized aluminum.

CMJB: Die-cast aluminum body; painted finishes are granulated powder coat.

Remote Power Supply: 22 Gauge galvanized steel.

STATIC WHITE LED

2-step MacAdam ellipse LED module available in 80+, 90+ and 95+ CRI configurations in color temperatures of 2700K, 3000K, 3500K and 4000K.
3-step MacAdam ellipse LED module available in 90+ CRI configuration in color temperature of 2400K. Average rated lamp life: 50,000 hours. LED and driver assemblies are field-replaceable.

WARM DIM LED

3-step MacAdam ellipse warm dim LED module available in 90+ CRI configuration. 3000K or 2700K at full brightness, warming to 1800K at full dim. Average rated lamp life of 50,000 hours. LED and driver assemblies are field-replaceable.

POWER SUPPLY PERFORMANCE AND DIMMING INFORMATION

| Power Supply | PHASE | | 0-10V | | | | | ECO | DALI | | ATHENA | CASAMBI |
|--------------|--------|--------|--------|--------|--------|--------|--------|-------|--------|--------|--------|---------|
| | PH6 | 1TR | URA | UAN | ULN | UEG | UEN | ULH | UED | ULD | UAS | UCS |
| Minimum °C | -20 °C | -20 °C | -20 °C | -20 °C | -20 °C | -20 °C | -20 °C | 0 °C | -20 °C | -20 °C | 0 °C | -20 °C |
| Maximum °C | 40 °C | 40 °C | 40 °C | 40 °C | 40 °C | 40 °C | 40 °C | 40 °C | 40 °C | 40 °C | 40 °C | 40 °C |
| Dimming % | 1.0% | 2.0% | 1.0% | 1.0% | 1.0% | 0.1% | 0.1% | 1.0% | 0.1% | 0.1% | 0.1% | 0.1% |

Note: For 1TR, ULH, UAN, ULN, UEG and UEN drivers consult chart on page 8 to confirm appropriate dimming curve for compatibility with selected control.

MAXIMUM ALLOWABLE REMOTE DRIVER WIRING DISTANCES

| DRIVER | WIRE AWG | | | | |
|------------------------------|----------|------|------|-----|-----|
| | 12 | 14 | 16 | 18 | 20 |
| PH6 | - | 164' | 105' | 66' | 40' |
| URA, 1TR, UAN, ULN | 285' | 180' | 113' | 71' | 45' |
| ULH | 60' | 40' | 25' | 15' | - |
| UEG, UEN, UED, ULD, UAS, UCS | - | - | 118' | 72' | 46' |

MOUNTING

Cylinder is supplied with a mounting adaptor plate, which integrates with required additional mounting accessories specified separately according to field application conditions, providing a minimalist transition from standard 4/0 or 4" square junction boxes and accommodating ceiling thicknesses of 0.44" (12mm) to 0.75" (19mm). Ceiling-mount junction box available for 1/2" (13mm) and 3/4" (19mm) conduit and feature concealed internal clamps for clean fitting-free conduit exit and entry.

LISTING

cTUVus listed to UL1598 standard for Dry / Damp (IP30) location. Title 24 JA8-2022 Listed. NEMA 410 Compliant. Buy American Act compliant.

DECLARE

LBC Declared.

FIXTURE WEIGHT

CP3X / Mounting - 5 lbs
Remote Driver - 1.4 lbs

LIMITED WARRANTY

Manufacturer's 1-year warranty guarantees product(s) listed to be free from defects in material and workmanship under normal use and service. 5-year warranty on LED and power supply to operate with 70% of the original flux and remain within a range of 3 duv. 10-year Lutron Advantage limited warranty available on Lutron equipped systems. Warranty period begins from the date of shipment by Seller. Consult [website](#) for full warranty terms and conditions.

CHANGE LOG

- 03/15/2024: ADDED 10 DEGREE FIELD REDUCER, UPDATED 10 DEGREE PERFORMANCE DATA.
- 05/06/2024: ADDED 15W WARM DIM DOWNLIGHT PACKAGE, UPDATED DRIVER WATTAGE PARAMETERS.
- 07/22/2024: REMOVED L2 DRIVER.

CYLINDER 3 SUSPENDED CABLE UP/DOWN

DIMMING COMPATIBILITY

PHILIPS DRIVER COMPATIBILITY

| Power supply 1TR Manufacturer | Family/Model # |
|-------------------------------------|-----------------------|
| Lutron Electronics | DV-600P |
| Lutron Electronics | DVELV-303P |
| Lutron Electronics | NTELV-600 |
| Lutron Electronics | MAELV-600 |
| Lutron Electronics | SELV-300P |
| Lutron Electronics | DVLV-600P |
| Lutron Electronics | NFTU-5A |
| Lutron Electronics | CTCL-153P |
| Lutron Electronics | GL-600H |
| Lutron Electronics | S-600P |
| Lutron Electronics | PHPM |
| Power supply UAN / ULN Manufacturer | Family/Model # |
| Lutron Electronics | DVTV plus PP-DV |
| Lutron Electronics | DVSCTV plus PP-DV |
| Lutron Electronics | DVSTV |
| Lutron Electronics | DVSCSTV |
| Lutron Electronics | QSGRJ-XP plus GRX-TVI |
| Lutron Electronics | QSGRJ-XE plus GRX-TVI |
| Lutron Electronics | QSGR-XE plus GRX-TVI |
| Lutron Electronics | NFTV plus PP-DV |
| Lutron Electronics | NTSTV |
| Lutron Electronics | RMJ-5T |
| Lutron Electronics | RMJS-8T |
| Lutron Electronics | FCJS-010 |
| Leviton | IlLumaTch IP7 series |
| Philips | Sunrise - SR1200ZTUNV |

LUTRON DRIVER COMPATIBILITY

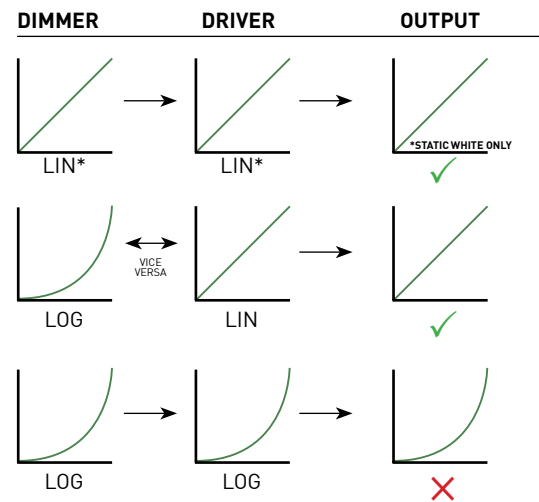
| Power supply ULH Lutron Product Family | Part No. |
|--|---------------------|
| PowPak Dimming Modules | RMJ-ECO32-DV-B |
| PowPak Dimming Modules | FCJ/FCJS-ECO |
| Energi Savr Nodes | QSN-1ECO-S |
| GRAFIK Eye QS control unit | QSN-2ECO-S |
| Homeworks QS control unit | QSN-2ECO-S |
| GRAFIK Eye QS control unit | QSGRJ-_E (wireless) |
| Homeworks QS control unit | QSGR-_E |
| Quantum Hub | QP2-_ _ 2C |
| Quantum Hub | QP2-_ _ 4C |
| Quantum Hub | QP2-_ _ 6C |
| Quantum Hub | QP2-_ _ 8C |
| Homeworks QS power module | LQSE-2ECO-D |
| myRoom Plus power module | LQSE-2ECO-D |



eldoLED DRIVER COMPATIBILITY

| Power supply UEG / UEN Dimmer / Switch Control Manufacturer | Family/Model # |
|---|--------------------------------|
| Busch-Jaeger | 2112U-101 |
| Jung | 240-10 |
| Leviton Lighting Controls | IP710-DLX |
| Lightolier Controls | ZP600FAM120 |
| Lutron Electronics | Nova T® - NTFTV |
| Lutron Electronics | Divia® - DDTV |
| Lutron Electronics | Nova® - NFTV |
| Merten | 5729 |
| Pass & Seymour | CD4FB-W |
| The Watt Stopper | DCLV1 |
| Sensor Switch | nI0 EZ |
| Synergy | ISD BC |
| Power supply UEG / UEN Dimmer / Switch Control Manufacturer | Family/Model # |
| Dimmer / Switch Control Manufacturer | GraxiEye® GRX-TVI w GRX3503 |
| Lutron Electronics | Energy Savr Node™ - QSN-4T16-S |
| Lutron Electronics | TVM2 Module |
| Crestron® | GLX-DIMFLV8 |
| Crestron® | GLXP-DIMFLV8 |
| Crestron® | GLPAC-DIMFLV4-* |
| Crestron® | GLPAC-DIMFLV8-* |
| Crestron® | GLPP-DIMFLVEX-PM |
| Crestron® | GLPP-1DIMFLV2EX-PM |
| Crestron® | GLPP-1DIMFLV3EX-PM |
| Crestron® | DIN-A08 |
| Crestron® | DIN-4DIMFLV4 |
| Crestron® | CLS-EXP-DIMFLV |
| Crestron® | CLCI-1DIMFLV2EX |
| ABB | SD/S 2.16.1 |

ANALOG DRIVERS AND DIMMERS



LIN = LINEAR
 LOG = LOGARITHMIC
 *LIN-TO-LIN NOT COMPATIBLE FOR WARM DIM