

Organic shape and minimalist form conceals the mechanics of this high-performance luminaire, offering both volumetric and directional lighting with two light sources and infinite control options of multi-layered illumination.

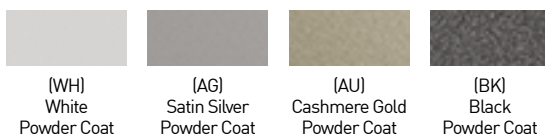


ORDERING INFORMATION



JA8-2022 INDICATED BY SHADING

SERIES	BODY COLOR	CANOPY COLOR	DOWNLIGHT CRI/CCT PACKAGE	WAVEGUIDE CRI/CCT PACKAGE	OPTIC (UGR)	WAVEGUIDE	MEDIA	DRIVER	MOUNTING
S2C						S			
S2C STELLR Medium 10.2" Ceiling Mount	WH White	WH White	STATIC WHITE	STATIC WHITE	15 15° (<10)	S Standard	STANDARD MEDIA 0 No Lens OPTIONAL MEDIA 2 Honeycomb Louver 3 Clear Glass Lens 4 Soft Focus Lens	INTEGRAL PH ELV/TRIAC, 1% 120V* <small>*[Sources dim independently, requires independent line voltage]</small> EG eldoLED, SOLOdrive 0.1% 0-10V, 120-277V, LOG* <small>*[Sources dim together]</small> EN eldoLED, SOLOdrive 0.1% 0-10V, 120-277V, LIN* <small>*[Sources dim together]</small> DD eldoLED, DUALdrive 0.1% DALI, 120-277V, LOG* <small>*[Sources dim independently]</small>	J Standard, J-Box Surface Mounting Plate S Small Ø4.9" Ceiling Mount Junction Box for 1/2" and 3/4" Conduit* <small>*[Finish specified in canopy color section]</small> L Large Ø6.4" Ceiling Mount Junction Box for 1/2" and 3/4" Conduit* <small>*[Finish specified in canopy color section]</small>
	AG Satin Silver	AG Satin Silver	8027 80+ CRI, 2700K Lm. Delivered - 1799	8027 80+ CRI, 2700K Lm. Delivered - 728	35 35° (<10)				
	AU Cashmere Gold	AU Cashmere Gold	8030 80+ CRI, 3000K Lm. Delivered - 1855	8030 80+ CRI, 3000K Lm. Delivered - 794	55 55° (<10)				
	BK Black	BK Black	8035 80+ CRI, 3500K Lm. Delivered - 1910	8035 80+ CRI, 3500K Lm. Delivered - 794					
	CF Custom Finish*	CF Custom Finish*	8040 80+ CRI, 4000K Lm. Delivered - 2003	8040 80+ CRI, 4000K Lm. Delivered - 825					
			9027 90+ CRI, 2700K Lm. Delivered - 1546	9027 90+ CRI, 2700K Lm. Delivered - 656					
			9030 90+ CRI, 3000K Lm. Delivered - 1594	9030 90+ CRI, 3000K Lm. Delivered - 715					
			9035 90+ CRI, 3500K Lm. Delivered - 1641	9035 90+ CRI, 3500K Lm. Delivered - 715					
			9040 90+ CRI, 4000K Lm. Delivered - 1721	9040 90+ CRI, 4000K Lm. Delivered - 744					
			WARM DIM HALOGEN PROFILE	WARM DIM HALOGEN PROFILE					
		90WD 90+ CRI, 3000K - 1800K Lm. Delivered - 1039* <small>*[Not available with PH or TR Driver]</small>	90WD 90+ CRI, 3000K - 1800K Lm. Delivered - 765* <small>*[Not available with PH or TR Driver]</small>						
		* DELIVERED LUMEN VALUES REFLECT USE OF THE 55 DEGREE OPTIC AND NO LENS							
							REMOTE TR ELV/TRIAC, 2% 120V* <small>*[Sources dim independently, requires independent line voltage]</small> LP Lutron, Hi-Lume Premier Ecosystem 0.1% Fade to Black, 120 or 277V* <small>*[Sources dim independently, requires independent line voltage]</small> AS1/ASR Athena Control eldoLED, SOLOdrive 0.1% 120-277V* <small>*[Includes Athena Node. Extended lead time, consult factory. ASR includes shunt]</small> CS1/CSR Casambi Control eldoLED, SOLOdrive 0.1% 120-277V* <small>*[Includes Casambi Node. Extended lead time, consult factory. CSR includes shunt]</small>		



PART NUMBER NOTES

- STELLR ships as e.g., S2C-BK BK-9MS18MS1-35S4-SG*J
- Optional remote drivers ship as e.g., PS-S2-RMT-9MSX8MSX-LP*
- CMJB ships as S2*-CMJB-(finish)



ACCESSORIES

ALTERNATE MEDIA

- HCL-S2-01** Honeycomb Louver
- CGL-S2-01** Clear Glass Lens
- SFL-S2-01** Soft Focus Lens

REPLACEMENT OPTIC ASSEMBLIES

- RO-S2-15** 15° optic
- RO-S2-35** 35° optic
- RO-S2-55** 55° optic

EMERGENCY LIGHTING - REMOTE MOUNT ONLY

- EMB-S-25-120/277-LEDX** 25 watt max capacity, 120 or 277 VAC 60Hz, Non-Dimmable
- EMB-S-100-120-LEDX** 100 watt max capacity, 120 VAC 60Hz, 0-10V Dimmable
- EMB-S-100-277-LEDX** 100 watt max capacity, 277 VAC 60Hz, 0-10V Dimmable
- EMB-S-250-120/277-LEDX** 250 watt max capacity, 120 or 277 VAC 60Hz, 0-10V Dimmable

During disruption of main power, emergency battery inverter provides temporary 120V or 277V to fixture.

DOWNLIGHT PERFORMANCE - 3000K



JA8-2022 INDICATED BY SHADING

LUMEN PACKAGE	WATTAGE	15° OPTIC / NO LENS		35° OPTIC / NO LENS		55° OPTIC / NO LENS		15° OPTIC / HCL		35° OPTIC / HCL		55° OPTIC / HCL	
		DELIVERED	LPW	DELIVERED	LPW	DELIVERED	LPW	DELIVERED	LPW	DELIVERED	LPW	DELIVERED	LPW
8030	18	1743	97	1769	98	1855	103	1255	70	1123	62	1081	60
9030	18	1502	83	1520	84	1594	89	1078	60	965	54	929	52
90WD	15	994	70	1012	72	1039	74	713	47	642	42	606	40

STATIC WHITE OUTPUT MULTIPLIER	
CCT	CCT SCALE
2700K	0.97
3000K	1.00
3500K	1.03
4000K	1.08

MEDIA LIGHT LOSS FACTOR	
MEDIA	LIGHT LOSS FACTOR
No Lens	1.00
CGL	0.93
SFL	0.93
HCL	0.65

UNIFIED GLARE RATING

15° OPTIC	35° OPTIC	55° OPTIC
<10	<10	<10

WAVEGUIDE PERFORMANCE

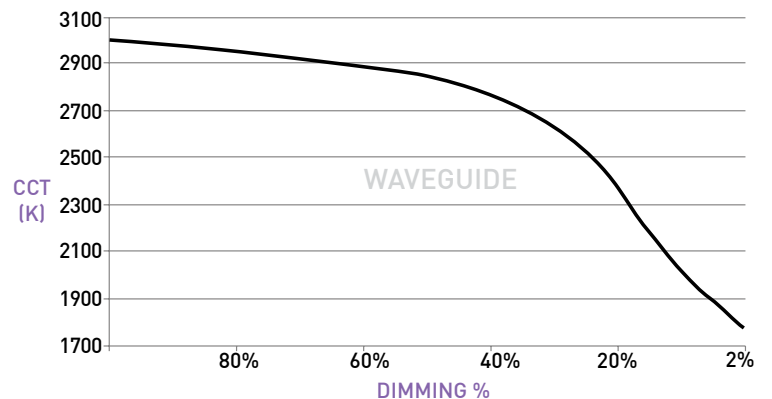
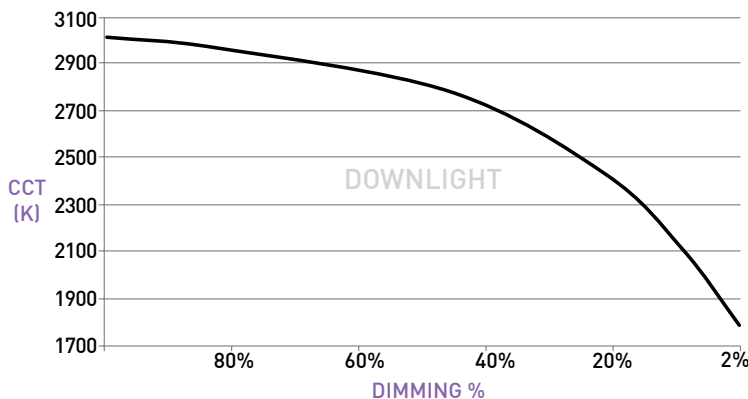
LUMEN PACKAGE	WATTAGE	2700K		3000K		3500K		4000K	
		DELIVERED	LPW	DELIVERED	LPW	DELIVERED	LPW	DELIVERED	LPW
80	15	728	53	794	58	794	58	825	64
90	15	656	48	715	52	715	52	744	54
90WD	15	-	-	765	54	-	-	-	-

WARM DIM PERFORMANCE

HALOGEN PROFILE

DOWNLIGHT - 55° OPTIC / NO LENS	Full on 100%	Dimmed to 80%	Dimmed to 70%	Dimmed to 50%	Dimmed to 20%	Dimmed to 10%	Dimmed to 2%
CCT (K)	3000	2950	2920	2775	2375	2000	1800
Light Output (Lm)	1039	831	727	519	207	103	20
Power (W)	14	11	10	7	3	1.4	0.3
Efficacy (LPW)	74	74	74	74	74	74	74

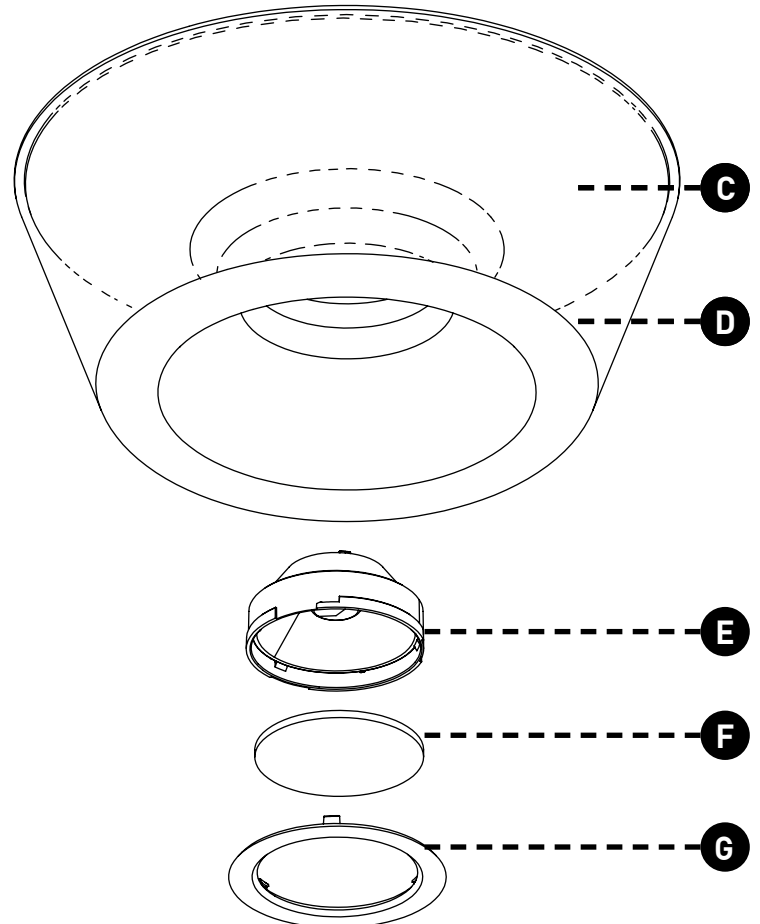
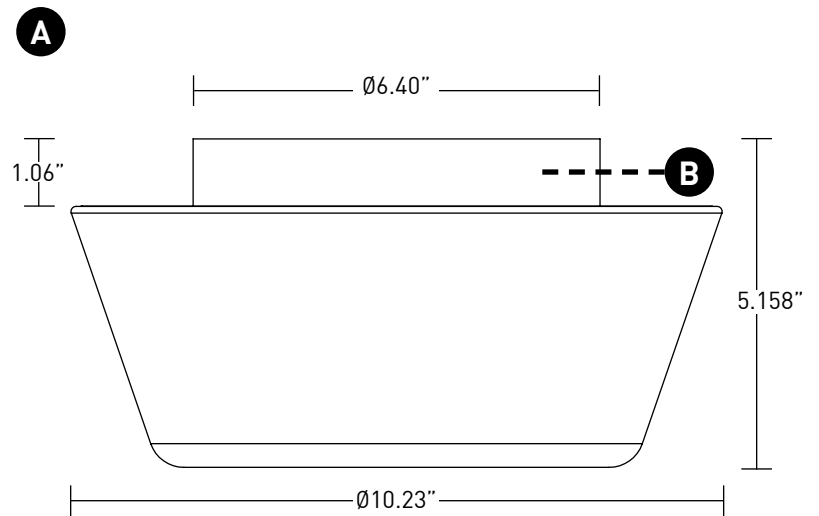
WAVEGUIDE	Full on 100%	Dimmed to 80%	Dimmed to 70%	Dimmed to 50%	Dimmed to 20%	Dimmed to 10%	Dimmed to 2%
CCT (K)	3000	2950	2920	2850	2375	2000	1800
Light Output (Lm)	765	612	535	382	153	76	15
Power (W)	14	13	12	9	3	1.7	0.3
Efficacy (LPW)	54	54	54	54	54	54	54



FIXTURE

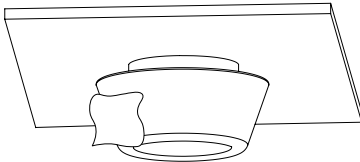
- A LUMINAIRE**
Body with integrated heat sink and LED assemblies. Power supplies may be integral or remote mount.
- B CANOPY**
Conceals hidden twist-on mounting hardware and houses integral driver assemblies. Available in powdercoat finishes.
- C BODY**
Available in powdercoat finishes.
- D WAVEGUIDE**
Transmits light creating illumination effect. Ships with protective cover installed.
- E OPTIC**
Robust light engine with optimized optic pairing integrates Reflection, Refraction and TIR offering 15°, 35°, and 55° beams.
- F MEDIA**
No lens standard. Media is field-changeable.
- G TRIM BEZEL**
Attaches to optic assembly and accommodates one media. Finish will match body color. Consult factory if alternate finish requested.

DIMENSIONS / DRAWINGS



CLEANING INSTRUCTIONS

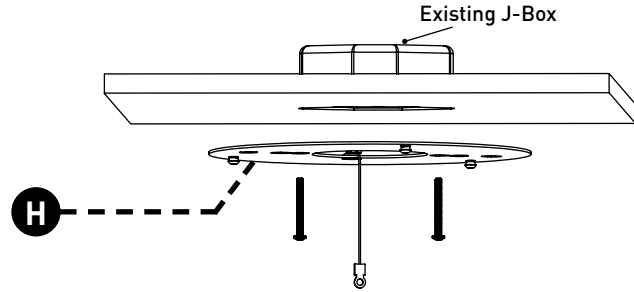
Factory recommends cleaning waveguide assembly with a microfiber cloth or similar non-abrasive cloth. In most cases a damp microfiber cloth will remove dust/debris or fingerprints. For stubborn stains, approved cleaning agents include soap and water, or ammonia based cleaners.



MOUNTING

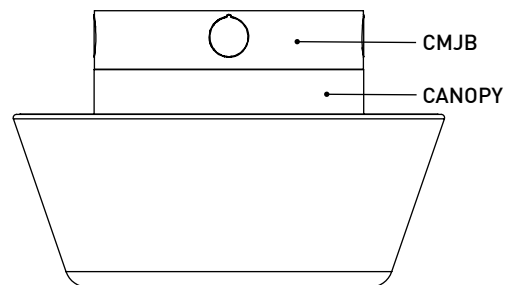
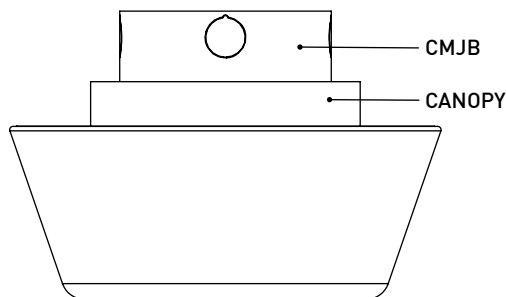
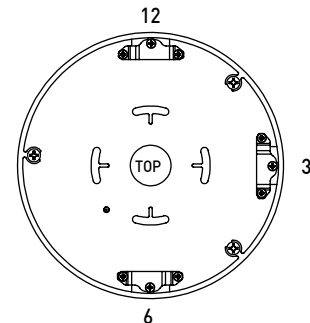
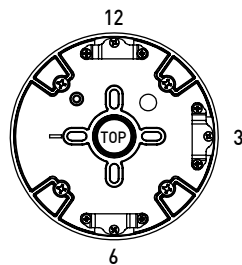
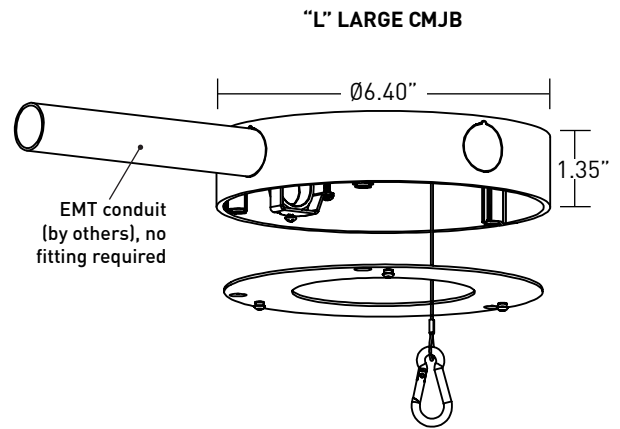
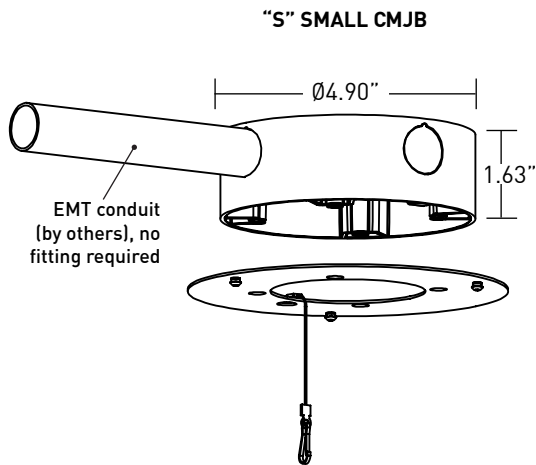
DIMENSIONS / DRAWINGS

H MOUNTING PLATE
Mounting adapter (concealed) for standard 3/0, 4/0 and 4" Square j-boxes. Surface mounted, does not require installation prior to rough-in. Fixture mounts flush with minimalist transition to ceiling.



I CMJB
Ceiling mount junction box provides integrated look where exposed ceiling mount junction box and conduit applications apply. For use with 1/2" and 3/4" EMT conduit only. Features three conduit entrances at 12, 3, and 6 o'clock plus one conduit knockout on top. Painted finishes only. Blank off plugs included. Available in "S" Small and "L" Large configurations.

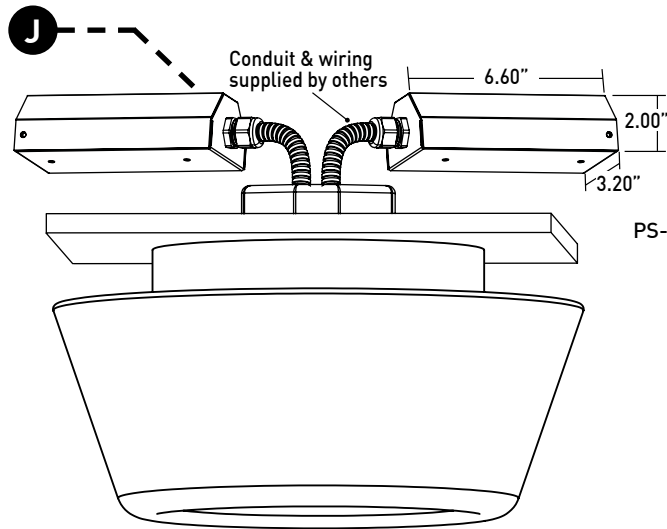
I



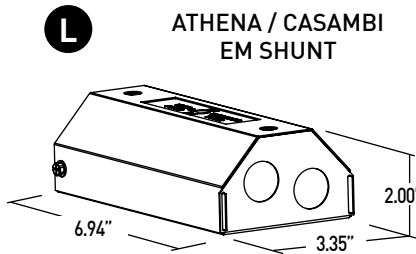
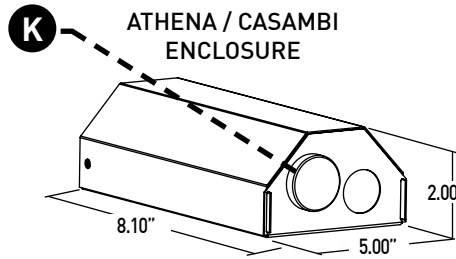
REMOTE POWER SUPPLY

DIMENSIONS / DRAWINGS

- J PS-RMT**
Remote power supplies provide additional driver options, requires two power supplies. Mounting device still required. Consult install guide for maximum allowable secondary run lengths between PS-RMT and fixture. Must be installed in an accessible location.
 - K ATHENA / CASAMBI CONTROL**
Controls integrated into housing or remote driver assembly. All equipment is serviceable.
Athena Model Numbers: A-WN-D01-RF-BL & DFC-OEM-DBI
Casambi Model Number: BT-S1E1-5400
 - L ATHENA / CASAMBI EM SHUNT**
Included with drivers specified as ASR, ADR, CSR, or CDR. One required for each wireless EM fixture, requires class 2 control wiring between fixture and shunt. Features integrated test switch.
- Model Number: PS-RMT-SHUNT



PS-RMT weight - 1.40 lbs



FIXTURE CONTROL INFORMATION

DRIVER	DRIVER QUANTITY	SOURCES DIM INDEPENDENTLY OR TOGETHER	SOURCES DIM TOGETHER ONLY	WIRING REQUIREMENTS
PH	2	X		For independent control, two switch-legs required.
TR	2	X		For independent control, two switch-legs required.
SG	2	X		For independent control, two switch-legs and two 0-10V control leads required.
SN	2	X		For independent control, two switch-legs and two 0-10V control leads required.
LP	2	X		For independent control, two EcoSystem addresses required.
DD	1	X		Requires 2 DALI addresses.
EG	1		X	Single switch-leg and 0-10V control leads required.
EN	1		X	Single switch-leg and 0-10V control leads required.

TECHNICAL

CONSTRUCTION

Fixture: Machined aluminum canopy and spun reflector; die-cast aluminum heat-sink; painted finishes are granulated powder coat.
CMJB: Die-cast or Machined aluminum body; painted finishes are granulated powder coat.
Remote Power Supply: 22 Gauge galvanized steel.

LED

Proprietary 2 step MacAdam ellipse LED modules available in 80+ and 90+ CRI configurations in color temperatures of 2700K, 3000K, 3500K and 4000K. Average rated lamp life of 50,000 hours. Driver assemblies are field-replaceable.

WARM DIM LED

Proprietary 3-step MacAdam ellipse warm dim LED modules available in 90+ CRI configuration. 3000K at full brightness, warming to 1800K at full dim. Average rated lamp life of 50,000 hours. Driver assemblies are field-replaceable.

POWER SUPPLY PERFORMANCE AND DIMMING INFORMATION

Power Supply	PHASE		0-10V				ECO	DALI	ATHENA	CASAMBI
	TR	PH	SG	SN	EG	EN	LP	DD	AS1	CS1
Minimum °C	-20 °C	-10 °C	-10 °C	-10 °C	-20 °C	-20 °C	0 °C	-20 °C	0 °C	-20 °C
Maximum °C	25 °C	25 °C	25 °C	25 °C	25 °C	25 °C	25 °C	25 °C	40 °C	40 °C
Dimming %	2.0%	1.0%	1.0%	1.0%	0.1%	0.1%	0.1%	0.1%	0.1%	0.1%

MAXIMUM ALLOWABLE REMOTE DRIVER WIRING DISTANCES

DRIVER	WIRE AWG				
	12	14	16	18	20
PH, SG, SN, TR	285'	180'	113'	71'	45'
LP	60'	40'	25'	15'	-
EG, EN, DD, AS1, CS1	-	-	118'	72'	46'

MOUNTING

Fixture is supplied with a mounting adapter, which integrates with standard 3/0, 4/0 and 4" Square junction boxes. Ceiling-mount junction box available for 1/2" and 3/4" conduit and features concealed internal clamps for clean fitting-free conduit exit and entry.

LISTING

cTUVus listed to UL1598 standard for Dry / Damp locations.
 JA8-2022 Title 24 listed.
 NEMA 410 Compliant.

BUY AMERICAN ACT

All S2C configurations are Buy American Act compliant.

WEIGHT

Fixture - 5.4 lbs max
 CMJB - 1.1 lbs
 Remote Driver - 1.4 lbs

LIMITED WARRANTY

Manufacturer's 1-year warranty guarantees product(s) listed to be free from defects in material and workmanship under normal use and service. 5-year warranty on LED and power supply to operate with 70% of the original flux and remain within a range of 3 duv. 10-year Lutron Advantage limited warranty available on Lutron equipped systems. Warranty period begins from the date of shipment by Seller. Consult [website](#) for full warranty terms and conditions.

CHANGE LOG

- 10/17/2022: REMOVED 3200K-1800K WARM DIM AND ADDED 3000K-1800K WARM DIM.
- 08/08/2023: UPDATED WITH NEW LED AND OPTIC SYSTEM.
- 1/11/2024: ADDED ATHENA/CASAMBI OFFERINGS.
- 08/02/2024: DISCONTINUED L2 DRIVER OFFERING.



DRIVE CURRENT SPECIFICS

DOWNLIGHT

	80	90	90WD
Minimum Vf	30.5	30.5	30.5
Maximum Vf	39	39	39
Current mA	425	425	350
Wattage W	14.6	14.6	11.8

WAVEGUIDE

	80	90	90WD
Minimum Vf	30.5	30.5	30.5
Maximum Vf	39	39	39
Current mA	350	350	350
Wattage W	11.8	11.8	11.8