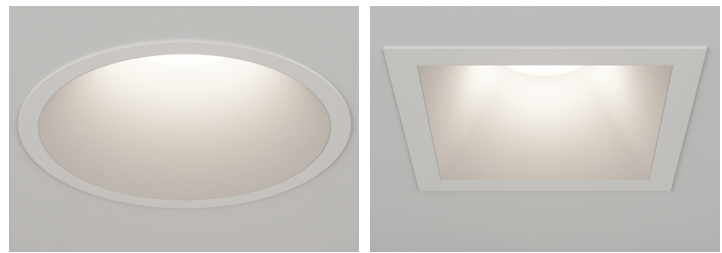


# FRAXION® 4 REMODEL

## DEEP REGRESS

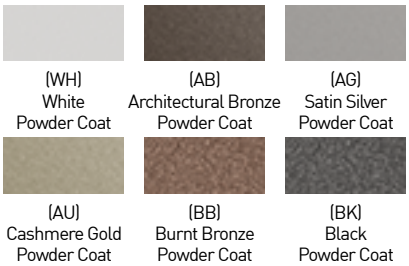
- Max output of 2175lm at 80+ CRI
- Deep regress baffle options in round and square featuring UGR as low as 10.1
- Integral drivers for tunable white with our 2 ranges, 1800K to 4000K and 2700K to 5000K
- Now available for concrete pour applications

PROJECT NAME:	TYPE:
---------------	-------



### ORDERING INFORMATION - FIXTURE

SHAPE	RATING	TYPE	FINISH	BAFFLE FINISH	CRI	WATTAGE	CCT	OPTIC (UGR)	MEDIA	INSTALL TYPE	CEILING THICKNESS	DRIVER
F4RD Round Deep Regress	1 IP20 Dry/Damp	A Adjustable	POWDERCOAT MICROFLANGE	POWDERCOAT	STATIC WHITE	24 2400K* *190+ CRI only, 15W max)	24 2400K* *190+ CRI only, 15W max)	10 10° (<10)	STANDARD MEDIA	REMODEL	1 0.25" - 1.50"	REMODEL
F4SD Square Deep Regress	2 IP64 Wet* *Suction cup provided for aim and focus)	F Fixed	WH White	AB Architectural Bronze	80S 80+ 90S 90+ 97S 97+	11A 11W - 1209 Lm 15A 15W - 1610 Lm 15C 15W - 557Lm* *For use with 10" optic only)	27 2700K 30 3000K 35 3500K 40 4000K	15 15° (<16) 20 20° (<10) 25 25° (<10) 40 40° (<10) 60 60° (<13) 85 85° (>19) *Requires 7 WDL effects device)	04 Soft Focus Lens* *Required for 10" Optic)	RM Remodel RR Remote Driver Remodel		PH1 Forward/ Reverse Phase, 2%, 120V SG3 eldoLED, ECOdrive 1%, 0-10V, LOG, 120V-277V
F4TD Square Transitional Deep Regress			AG Satin Silver AU Cashmere Gold BB Burnt Bronze BK Black PR Primer CF Custom Finish* *Consult Factory)	AG Satin Silver AU Cashmere Gold BB Burnt Bronze BK Black PR Primer CF Custom Finish* *Consult Factory)		21A 21W - 2175 Lm		ALTERNATE MEDIA	01 Honeycomb Louver* *Not available for IP64 Wet Location, Adjustable Fixtures, or Warm Dim)	PRE-CAST CONCRETE KC Integral Driver* *Not available for Athena and Casambi wireless controls)		SN3 eldoLED, ECOdrive 1%, 0-10V, LIN, 120V-277V EG1 eldoLED, SOLOdrive 0.1% 0-10V, LOG, 120V-277V EN1 eldoLED, SOLOdrive 0.1% 0-10V, LIN, 120V-277V ED1 eldoLED, SOLOdrive 0.1% DALI-2, LOG, 120V-277V LP1 Lutron, Hi-Lume Premier Ecosystem 0.1% Fade to Black, 120V or 277V* *Not available for 21W in KC install types)
			TRIMLESS TG Trimless Gypsum 1/16" TM Trimless Millwork* *Not available for Pre-cast concrete installations)	CF Custom Finish* *Consult Factory)		SEE PAGE 4 FOR DETAILED WARM DIM PROFILE COMPARISON.		02 Clear Glass Lens* *Not available for Warm Dim)		KR Remote Driver		REMOTE (120-277V) AS1/ Athena Control eldoLED, SOLOdrive 0.1%, 120V-277V* *Includes Athena Node. Extended lead time, consult factory. ASR includes shunt)
					WARM DIM 90W 90+	15A 15W Incandescent Profile: 2700K - 1800K 1022 Lm Halogen Profile: 3000K - 1800K 1031 Lm	WL 2700K - 1800K WD 3000K - 1800K	20 20° (<16) 25 25° (<10) 40 40° (<10) 60 60° (<13) 85 85° (>19) *Requires 7 WDL effects device)	03 Frosted Glass Lens 05 Frosted Soft Focus Lens 06 Frosted Linear Spread Lens			CS1/ Casambi Control eldoLED, SOLOdrive 0.1%, 120V-277V* *Includes Casambi Node. Extended lead time, consult factory. CSR includes shunt)
					TUNABLE WHITE 90T 90+	15B 15W Warm Profile: 4000K - 1800K 1209 Lm Cool Profile: 5000K - 2700K 1198 Lm 22B 22W Warm Profile: 4000K - 1800K 1696 Lm Cool Profile: 5000K - 2700K 1680 Lm	TR 4000K - 1800K TH 5000K - 2700K	15 15° (<16) 20 20° (<10) 25 25° (<10) 40 40° (<10) 60 60° (<13) 85 85° (>19) *Requires 7 WDL effects device)	07 Wide Distribution Lens* *Required and only available for 85° optic)			TUNABLE WHITE REMOTE (120-277V) DG1 eldoLED, DUALdrive 0.1% 0-10V, LOG DN1 eldoLED, DUALdrive 0.1% 0-10V, LIN DD2 eldoLED, DUALdrive 0.1% DALI-2 DT8, LOG AD1/ Athena Control eldoLED, DUALdrive 0.1%* *Includes Athena Node. Extended lead time, consult factory. ADR includes shunt)
						LUMEN DELIVERED OUTPUTS REFLECT 80+ CRI / 3000K PAIRED WITH 60° OPTIC AND SOFT FOCUS LENS		HS Adjustable Honeycomb Louver and Soft Focus Lens* *Not available for IP64 Wet Location, 21W or 22W, Fixed Fixtures, or Warm Dim)				CD1/ Casambi Control eldoLED, DUALdrive 0.1%* *Includes Casambi Node. Extended lead time, consult factory. CDR includes shunt)



- Fixture as e.g., F4RD1AMWHBK90S21A30404RM1PH1



# FRACTION4 REMODEL DEEP REGRESS

## ACCESSORIES

### ROUND / TRANSITIONAL ALTERNATE MEDIA

Dry/Damp location only.  
Wet location requires alternate baffle.

- CGL-F4R-2** Clear Glass Lens\*  
\*(Not available for Warm Dim)
- FGL-F4R-2** Frosted Glass Lens
- SFL-F4R-2** Soft Focus Lens
- FSFL-F4R-2** Frosted Soft Focus Lens
- WDL-F4R-2** Wide Distribution Lens\*  
\*(Required and only available for 85° beam spread)
- FLSL-F4R-2** Frosted Linear Spread Lens

### SQUARE ALTERNATE MEDIA

Dry/Damp location only.  
Wet location requires alternate baffle.

- CGL-F4S-2** Clear Glass Lens\*  
\*(Not available for Warm Dim)
- FGL-F4S-2** Frosted Glass Lens
- SFL-F4S-2** Soft Focus Lens
- FSFL-F4S-2** Frosted Soft Focus Lens
- WDL-F4S-2** Wide Distribution Lens\*  
\*(Required and only available for 85° beam spread)
- FLSL-F4S-2** Frosted Linear Spread Lens

### ADJUSTABLE HCL ASSEMBLY

Dry / Damp location only.

- OLR-F4RD1-SFL-HCL** Adjustable Honeycomb Louver and Soft Focus Lens\*  
\*(Not available for IP64 Wet Location, 21W or 22W, Fixed Fixtures, or Warm Dim)

### REPLACEMENT BAFFLE ASSEMBLY (INCLUDES MEDIA)

ASSEMBLY	SHAPE	TYPE	RATING	FINISH	MEDIA
<b>RBA</b>		<b>AF</b>			
REPLACEMENT BAFFLE ASSEMBLY	F4RD Round Shallow Regress F4SD Square Shallow Regress F4TD Square Transitional Shallow Regress	AF Adjustable / Fixed	1 IP20 Dry/Damp 2 IP64 Wet* *(Requires provided suction cup to service or aim & focus)	WH White AB Architectural Bronze AG Satin Silver AU Cashmere Gold BB Burnt Bronze BK Black PR Primer CF Custom Finish* *(Consult Factory)	04 Soft Focus Lens* *(Required for 10° optic) 01 Honeycomb Louver* *(Not available for IP64 Wet Location, adjustable fixtures, or Warm Dim) 02 Clear Glass Lens* *(Not available for Warm Dim) 03 Frosted Glass Lens 05 Frosted Soft Focus Lens 06 Frosted Linear Spread Lens 07 Wide Distribution Lens* *(Required and only available for 85° optic) NL No Lens* *(Not available for IP64 Wet Location, or Warm Dim)

### REPLACEMENT OPTICS

Interchangeable optics accessible through fixture aperture.

#### STATIC WHITE

- RO-50-15-S** 15° optic
- RO-50-20-S** 20° optic
- RO-50-25-S** 25° optic
- RO-50-40-S** 40° optic
- RO-50-60-S** 60° optic
- RO-50-WW-S** Wallwash Optic

#### WARM DIM

- RO-50-20-W** 20° optic
- RO-50-25-W** 25° optic
- RO-50-40-W** 40° optic
- RO-50-60-W** 60° optic
- RO-50-WW-W** Wallwash Optic

#### TUNABLE WHITE

- RO-50-15-T** 15° optic
- RO-50-20-T** 20° optic
- RO-50-25-T** 25° optic
- RO-50-40-T** 40° optic
- RO-50-60-T** 60° optic
- RO-50-WW-T** Wallwash optic

### REPLACEMENT SUCTION TOOL

One included with every six fixtures designated Wet location.

- F4-TOOL-SUCTION** Allows for removal of baffle with Wet location

### EMERGENCY LIGHTING - REMOTE MOUNT ONLY

During disruption of main power, emergency battery inverter provides temporary 120V or 277V to fixture.

- EMB-S-25-120/277-LEDX** 25 watt max capacity, 120 or 277 VAC 60Hz, Non-Dimmable
- EMB-S-100-120-LEDX** 100 watt max capacity, 120 VAC 60Hz, 0-10V Dimmable
- EMB-S-100-277-LEDX** 100 watt max capacity, 277 VAC 60Hz, 0-10V Dimmable
- EMB-S-250-120/277-LEDX** 250 watt max capacity, 120 or 277 VAC 60Hz, 0-10V Dimmable

**\*SHUNT REQUIRED FOR USE WITH ATHENA AND CASAMBI CONTROLS, CONSULT FACTORY FOR DETAILS.**

# FRACTION4 REMODEL DEEP REGRESS



PACKAGE	WATTS	10° OPTIC NO LENS		15° OPTIC SOFT FOCUS LENS		20° OPTIC SOFT FOCUS LENS		25° OPTIC SOFT FOCUS LENS		40° OPTIC SOFT FOCUS LENS		60° OPTIC SOFT FOCUS LENS		85° OPTIC WIDE DISTRIBUTION	
		DLVD.	LPW	DLVD.	LPW	DLVD.	LPW	DLVD.	LPW	DLVD.	LPW	DLVD.	LPW	DLVD.	LPW
80S11A	11	-	-	999	91	1129	103	1189	108	1037	94	1209	110	992	90
80S15A	15	1174	107	1346	90	1519	101	1478	99	1342	89	1610	107	1336	89
80S21A	21	-	-	1864	89	2036	97	1997	95	1814	86	2175	104	1818	87
90S11A	11	-	-	858	78	970	88	1021	93	891	81	1038	94	852	77
90S15A	15	1012	92	1156	77	1305	87	1270	85	1153	77	1383	92	1148	77
90S21A	21	-	-	1601	76	1749	83	1716	82	1558	74	1869	89	1562	74
97S11A	11	-	-	754	69	851	77	897	82	72	71	912	83	748	68
97S15A	15	873	79	1015	68	1146	76	1115	74	1012	67	1214	81	1008	67
97S21A	21	-	-	146	67	1536	73	1507	72	1368	65	1641	78	1371	65
90W15A (WL 27K-18K)	15	-	-	-	-	994	66	937	62	833	56	1022	68	878	59
90W15A (WD 30K-18K)	15	-	-	-	-	995	66	938	63	838	56	1031	69	885	59
90T15B (40K-18K)	15	-	-	1082	72	1140	76	1097	73	991	66	1209	81	999	67
90T15B (50K-27K)	15	-	-	1072	71	1130	75	1087	72	982	65	1198	80	990	66
90T22B (40K-18K)	22	-	-	1497	68	157+	72	1504	68	1374	62	1696	77	1394	63
90T22B (50K-27K)	22	-	-	1483	67	1561	71	1491	68	1362	62	1680	76	1381	63

### MAX UNIFIED GLARE RATING

10° OPTIC NO LENS	15° OPTIC SOFT FOCUS LENS	20° OPTIC SOFT FOCUS LENS	25° OPTIC SOFT FOCUS LENS	40° OPTIC SOFT FOCUS LENS	60° OPTIC SOFT FOCUS LENS	85° OPTIC WIDE DISTRIBUTION
<10	<16	<10	<10	<13	<13	>19

### OUTPUT MULTIPLIER

CCT	CCT SCALE
2400K	0.85
2700K	0.97
3000K	1.00
3500K	1.03
4000K	1.08

### TUNABLE WHITE MULTIPLIER

CCT	5000K- 2700K	4000K- 1800K
5000K	1.16	-
4000K	1.08	1.14
3500K	1.04	1.07
3000K	1.00	1.00
2700K	0.96	0.92
2400K	-	0.84
1800K	-	0.69

### MEDIA LIGHT LOSS FACTOR

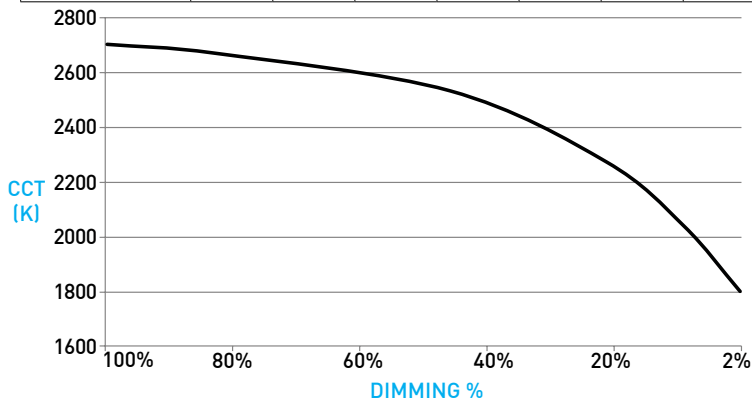
MEDIA	LIGHT LOSS FACTOR
NO LENS	1.06
CGL	1.00
SFL	1.00
FGL	0.89
FSFL	0.81
FLSL	0.82

# FRAZION4 REMODEL DEEP REGRESS

## WARM DIM PERFORMANCE - 60° OPTIC - SOFT FOCUS LENS

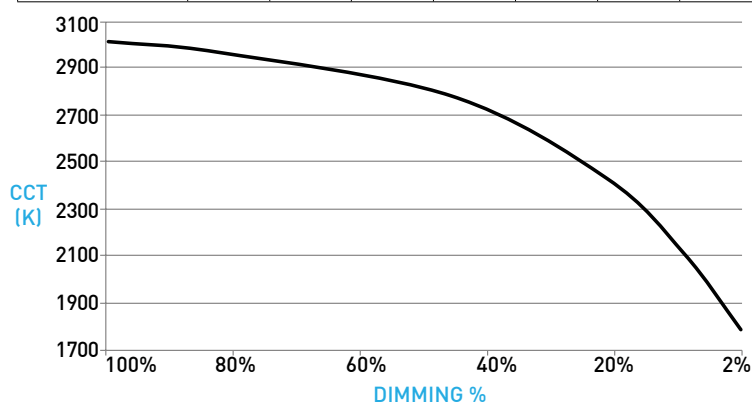
WARM DIM TO MIRROR INCANDESCENT DIMMING PROFILE

WL 2700K - 1800K	Full on 100%	Dimmed to 80%	Dimmed to 70%	Dimmed to 50%	Dimmed to 20%	Dimmed to 10%	Dimmed to 2%
CCT (K)	2700	2650	2620	2520	2180	1950	1800
Light Output (Lm)	1022	817	715	511	204	102	20
Power (W)	15	12	10.5	7.5	3	1.5	.3
Efficacy (LPW)	68	68	68	68	68	68	68



HALOGEN WARM DIM PROFILE

WD 3000K - 1800K	Full on 100%	Dimmed to 80%	Dimmed to 70%	Dimmed to 50%	Dimmed to 20%	Dimmed to 10%	Dimmed to 2%
CCT (K)	3000	2950	2920	2775	2375	2000	1800
Light Output (Lm)	1031	824	721	515	206	103	20
Power (W)	15	12	10.5	7.5	3	1.5	.3
Efficacy (LPW)	69	69	69	69	69	69	69

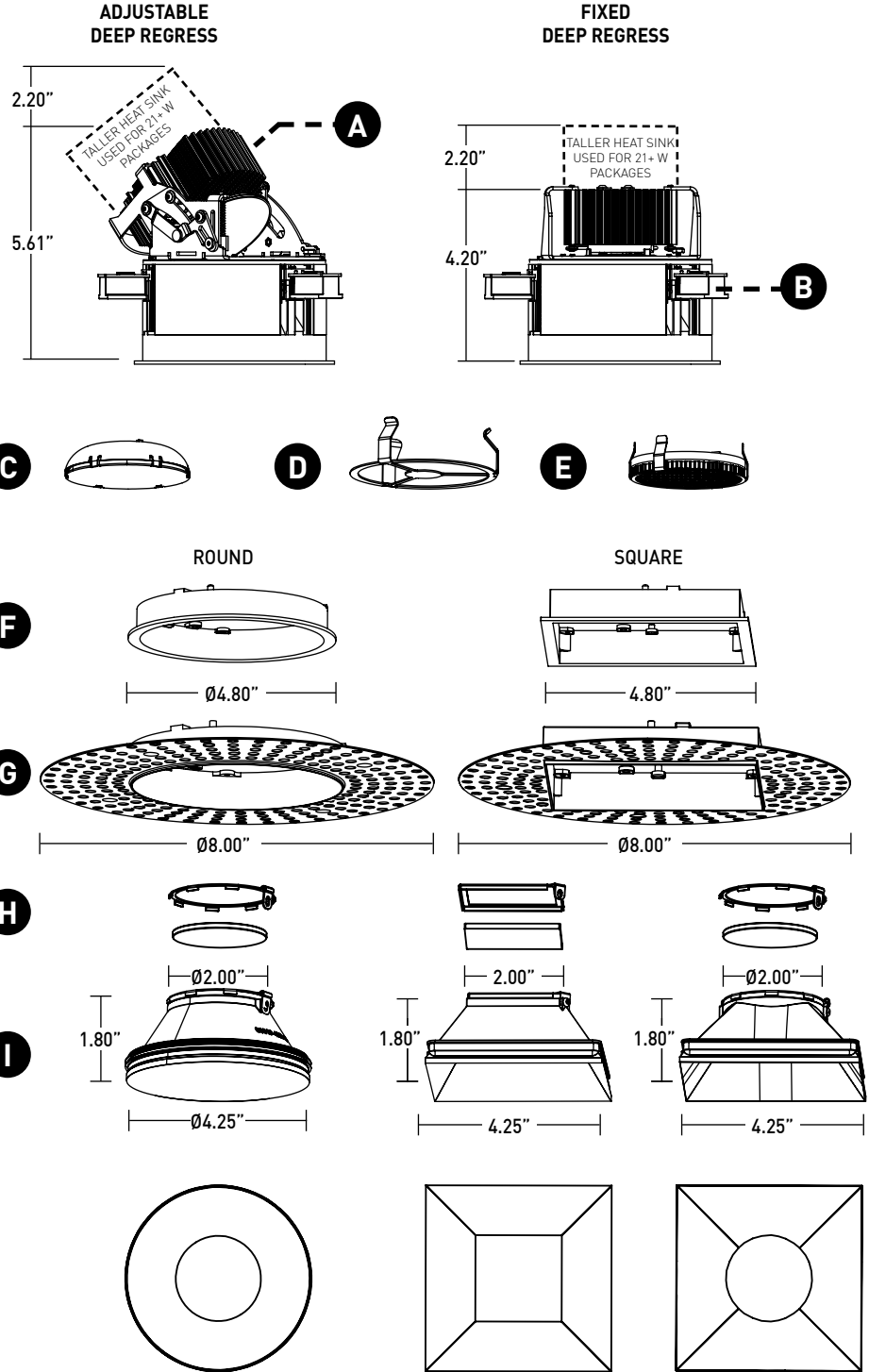


# FRAXION4 REMODEL DEEP REGRESS

## DOWNLIGHT / HOUSING

- A ADJUSTABILITY**  
Hot-aim tilt up to 40° and 361° rotation with 5° tilt increment indicators. Sliding pivot point optimizes center beam, ensuring unclipped beam of 15° at 40° tilt and 25° at 30° tilt.
  - B RETENTION**  
Integrated metal arm clamps located within fixture body allow discreet flange design, while accommodating varying ceiling thicknesses from 0.25" to 1.50". Snap-on spacer clips (2X) supplied for ceiling thickness below 0.50" only.
  - C OPTIC**  
Robust light engine with optimized optic pairing integrates Reflection, Refraction, and TIR offering 10°, 15°, 20°, 25°, 40° & 60° beams.
  - D 10° FIELD REDUCER**  
Included with 10° optic. Reduces field angle by 30%
  - E ADJUSTABLE HCL ASSEMBLY**  
Honeycomb Louver and Soft Focus Lens attach directly to optic with clip-on lens retainer and adjusts with fixture. Only compatible with no lens baffle. Dry/Damp locations only. Specified as "HS" Effects Device
  - F MICROFLANGE PROFILE**  
Provides industry standard 0.43" total contractor (goof) allowance with 0.27" flange. Thickness measures 1/16". IP64 Wet location features integral silicone gasket.
  - G TRIMLESS GYPSUM PROFILE**  
Installs totally flush with the ceiling with no visible trim. Features integrated appliqué for plaster floating directly to the baffle. Not recommended for stucco applications.
  - H EFFECTS DEVICES / LENS RETAINER**  
Fixture is limited to 1 effects device. Wet location effects device is sealed in place. Suction tool provided for removal of baffle with wet location. Lens retainer allows effects devices to be changed in Dry/Damp locations.
  - I ROUND / SQUARE BAFFLE**  
Die-cast removable baffle provides easy access to tilting mechanism and features 70° glare cutoff. Minimizes aperture glare and conceals view into housing; includes gasket.
- SQUARE TRANSITIONAL BAFFLE**  
Die-cast removable baffle provides easy access to tilting mechanism and features 70° glare cutoff. Transitions from square aperture at ceiling plane to round aperture at light source. Minimizes aperture glare and conceals view into housing; includes gasket.

## DIMENSIONS / DRAWINGS



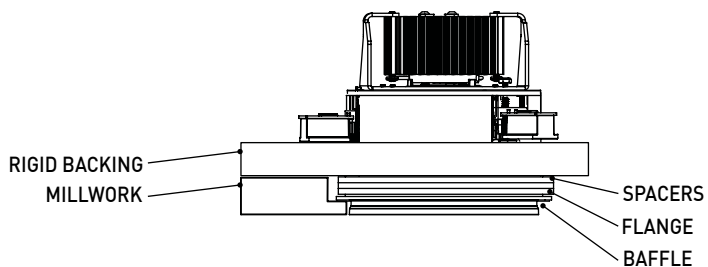
# FRACTION4 REMODEL DEEP REGRESS

## DOWNLIGHT

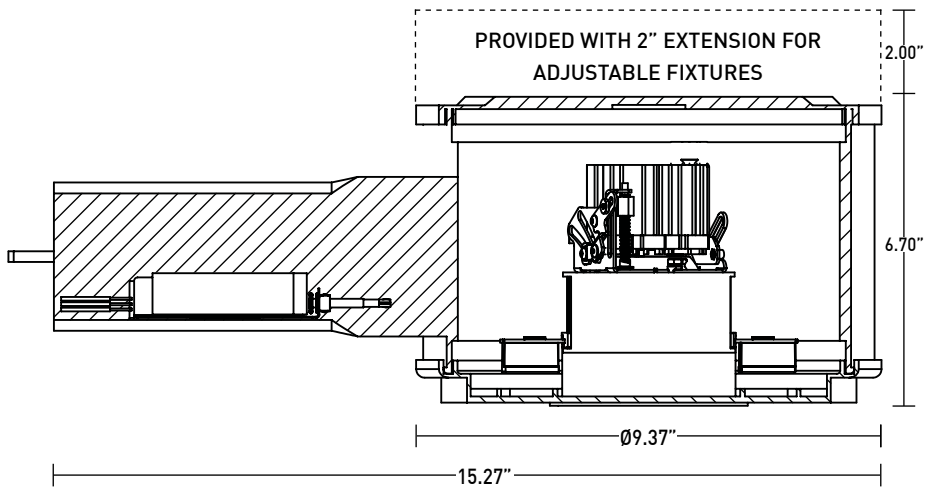
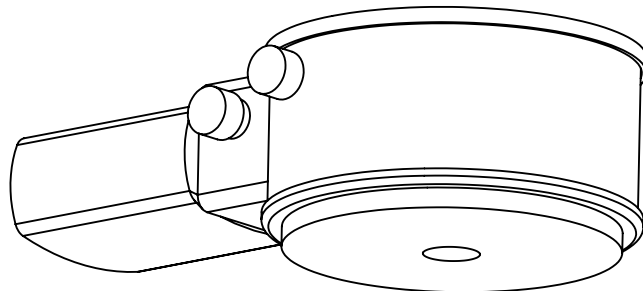
- J TRIMLESS MILLWORK PROFILE / SPACERS**  
No visible flange, installs totally flush with millwork. Requires rigid backing for installation. Includes (1) 1/16" spacer and (5) 1/8" spacers.
- K CONCRETE POUR HOUSING / PROFILE**
  - Provided with install types "KC and KR".
  - Ships separate from downlight and power supply
  - Features 4 conduit entries compatible with 3/4" and 1" ENT.
  - Features tunnel for integral power supply installation.

## DIMENSIONS / DRAWINGS

J



K



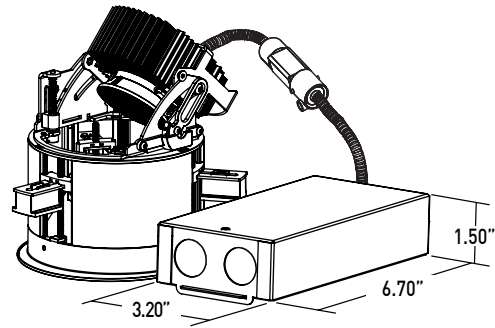
# FRACTION4 REMODEL DEEP REGRESS

## REMODEL POWER SUPPLY

### L REMODEL WITH NON-IC TETHERED POWER SUPPLY

- Requires 4.42" cutout.
- Tethered power supply protected wiring and quick-connect plug between fixture and power supply.
- Minimum 0.75" clearance from top of fixture.
- Minimum setback from combustible and non-combustible materials of 6.61" radius from fixture centerline; minimum 3.00" from surfaces of power supply if not situated within above noted radius from fixture centerline.
- Minimum additional 3.00" setback from insulation material with max R-Value 30 from any surface of downlight fixture assembly.
- Minimum additional 6.00" setback from polycell spray foam insulation with max R-Value 60 from any surface of downlight fixture assembly.
- Consult factory for spacing requirements for any installations exceeding R-Value 60.
- Do not install in environments where ambient temperatures exceed 40°C (104°F).

L

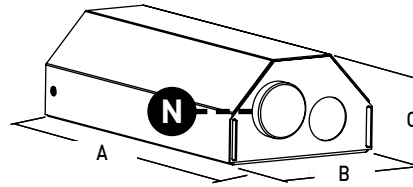


## REMOTE POWER SUPPLY

### M REMOTE APPLICATIONS

- Provided with install type "RR".
- Requires plenum rated Class 2 cable between fixture and remote driver. Cable supplied by others.
- See page 8 for maximum allowable wiring distance.
- Must be installed in an accessible location
- Do not install in environments where ambient temperatures exceed 40°C (104°F).

M



	A	B	C
STATIC WHITE / WARM DIM	6.94"	3.35"	2.00"
TUNABLE WHITE	8.10"	5.00"	2.00"
ATHENA / CASAMBI CONTROLLED	8.10"	5.00"	2.00"

### N ATHENA / CASAMBI CONTROL

Controls integrated into remote driver assembly. All equipment is serviceable.

Athena Model Numbers: A-WN-D01-RF-BL & DFC-OEM-DBI

Casambi Model Number: BT-S1E1-5400

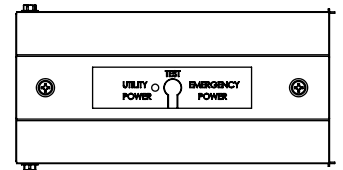
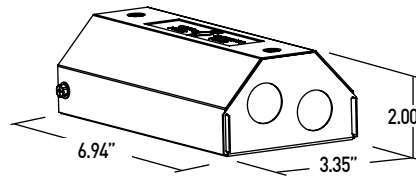
### O ATHENA / CASAMBI EM SHUNT

Included with drivers specified as ASR, ATR, CSR, or CTR. One required for each wireless EM fixture, requires class 2 control wiring between fixture and shunt. Features integrated test switch.

Model Number: PS-RMT-SHUNT

O

### ATHENA / CASAMBI EM SHUNT



# FRAXION4 REMODEL DEEP REGRESS

## TECHNICAL

### CONSTRUCTION

**Downlight:** Painted finishes are granulated powder coat. Forged aluminum heat-sink.

**Remote Power Supply:** 22 Gauge galvanized steel.

**Appliqué:** Zinc alloy.

### STATIC WHITE LED

2-step MacAdam ellipse LED module available in 80+, 90+ and 97+ CRI configurations in color temperatures of 2700K, 3000K, 3500K and 4000K. 3-step MacAdam ellipse LED module available in 90+ CRI configuration in color temperature of 2400K. Average rated lamp life of 50,000 hours. LED and driver assemblies are field-replaceable.

### WARM DIM LED

3-step MacAdam ellipse warm dim LED module available in 90+ CRI configuration. 3000K or 2700K at full brightness, warming to 1800K at full dim. Average rated lamp life of 50,000 hours. LED and driver assemblies are field-replaceable.

### TUNABLE WHITE LED

3-step MacAdam ellipse tunable white LED module available in 90+ CRI configuration. Features tuning ranges of 1800K to 4000K and 2700K to 5000K. Average rated lamp life of 50,000 hours. LED and driver assemblies are field-replaceable.

### POWER SUPPLY PERFORMANCE AND DIMMING INFORMATION

Power Supply	PHASE	0-10V						ECO	DALI-2		ATHENA		CASAMBI	
	PH1	SG3	SN3	EG1	EN1	DG1	DN1	LP1	ED1	DD1	AS1	AD1	CS1	CD1
Minimum °C	-20 °C	-20 °C	-20 °C	-20 °C	-20 °C	-20 °C	-20 °C	0 °C	-20 °C	-20 °C	0 °C	0 °C	-20 °C	-20 °C
Maximum °C	40 °C	40 °C	40 °C	40 °C	40 °C	40 °C	40 °C	40 °C	40 °C	40 °C	40 °C	40 °C	40 °C	40 °C
Dimming %	2.0%	1.0%	1.0%	0.1%	0.1%	0.1%	0.1%	0.1%	0.1%	0.1%	0.1%	0.1%	0.1%	0.1%

Note: For PH1, LP1, EG1 and EN1 drivers consult chart on page 9 to confirm appropriate dimming curve for compatibility with selected control.

### MAXIMUM ALLOWABLE REMOTE DRIVER WIRING DISTANCES

DRIVER	WIRE AWG				
	12	14	16	18	20
PH1	285'	180'	113'	71'	45'
LP1	60'	40'	25'	15'	-
EG1, EN1, ED1, DG1, DN1, DD2, AS1, AD1, CS1, CD1	-	-	118'	72'	46'

### LISTING

cTUVus listed to UL1598 standard for Dry / Damp and Wet locations.  
NEMA 410 Compliant.  
U.S. Patent: 10,317,066

### BUY AMERICAN ACT

All Fraxion4 SLIM Adjustable configurations are Buy American Act compliant.

### DECLARE

LBC Red List Approved.

### WEIGHT

Fixture - 3.1 lbs max  
Remote Driver - 1.4 lbs

## LIMITED WARRANTY

Manufacturer's Limited Warranty guarantees product(s) listed to be free from defects in material and workmanship under normal use and service for 1-year. LED and power supplies are warranted to operate with 70% of original flux and remain within a range of 3 duv for a period of 5-years. 10-year Lutron Advantage limited warranty available on Lutron equipped systems. Warranty period begins from the date of shipment by Seller. [Consult website for full warranty terms and conditions.](#)





# FRACTION4 REMODEL DEEP REGRESS

## DIMMING COMPATIBILITY

### PHILIPS DRIVER COMPATIBILITY

Power supply PH1 Manufacturer	Family/Model #
Lutron Electronics	DV-600P
Lutron Electronics	DVELV-303P
Lutron Electronics	NTELV-600
Lutron Electronics	MAELV-600
Lutron Electronics	SELV-300P
Lutron Electronics	DVLV-600P
Lutron Electronics	NFTU-5A
Lutron Electronics	CTCL-153P
Lutron Electronics	GL-600H
Lutron Electronics	S-600P
Lutron Electronics	PHPM

### LUTRON DRIVER COMPATIBILITY

Power supply LP1 Lutron Product Family	Part No.
PowPak Dimming Modules	RMJ-EC032-DV-B
PowPak Dimming Modules	FCJ/FCJS-ECO
Energi Savr Nodes	QSN-1ECO-S
GRAFIK Eye QS control unit Homeworks QS control unit	QSN-2ECO-S
GRAFIK Eye QS control unit Homeworks QS control unit	QSGRJ- _E (wireless) QSGR- _E
Quantum Hub	QP2-__ _2C
Quantum Hub	QP2-__ _4C
Quantum Hub	QP2-__ _6C
Quantum Hub	QP2-__ _8C
Homeworks QS power module myRoom Plus power module	LQSE-2ECO-D



### eldoLED DRIVER COMPATIBILITY

Power supply EG1 / SG3 Manufacturer	Family/Model #
Busch-Jaeger	2112U-101
Jung	240-10
Leviton Lighting Controls	IP710-DLX
Lightolier Controls	ZP600FAM120
Merten	5729
Pass & Seymour	CD4FB-W
The Watt Stopper	DCLV1
Synergy	ISD BC
Crestron®	GLX-DIMFLV8
Crestron®	GLXP-DIMFLV8
Crestron®	GLPAC-DIMFLV4-*
Crestron®	GLPAC-DIMFLV8-*
Crestron®	GLPP-DIMFLVEX-PM
Crestron®	GLPP-1DIMFLV2EX-PM
Crestron®	GLPP-1DIMFLV3EX-PM
Crestron®	DIN-A08
Crestron®	DIN-4DIMFLV4
Crestron®	CLS-EXP-DIMFLV
Crestron®	CLCI-1DIMFLV2EX
Power supply EN1 / SN3 Manufacturer	Family/Model #
Lutron Electronics	Nova T® - NTFTV
Lutron Electronics	Diva® - DVTV
Lutron Electronics	Nova® - NFTV
Lutron Electronics	GrafixEye® GRX-TVI w GRX3503
Lutron Electronics	Energy Savr Node™ - QSN-4T16-S
Lutron Electronics	TVM2 Module
Sensor Switch	nIO EZ
ABB	SD/S 2.16.1

## ANALOG DRIVERS AND DIMMERS

