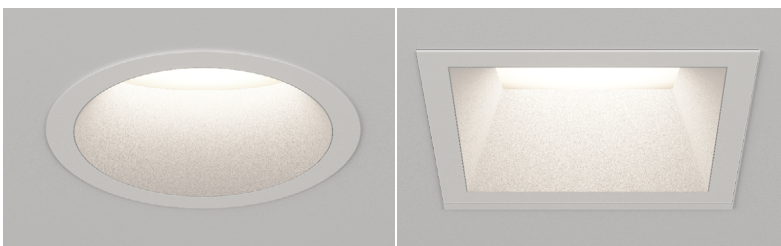


FRAXION®3 SLIM

WALLWASH

Starting Q4 2024, we will begin shipping our new, enhanced, Fraxion3 family. This update features increased lumen outputs up to 2750lm delivered and the addition of deep regress, and remodel fixtures. See Page 2 for fixture comparison.

PROJECT NAME:	TYPE:
---------------	-------



ORDERING INFORMATION - DOWNLIGHT / HOUSING



JA8-2022 INDICATED BY SHADING

SHAPE	TRIM	RATING	TYPE	FLANGE FINISH	BAFFLE FINISH	CRI / WATTAGE PACKAGE	CCT	OPTIC	INSTALL TYPE	CEILING THICKNESS	DRIVER
F3R Round	M Microflange	1 Dry/Damp	W Wallwash	WH White	WH White	STATIC WHITE	24 2400K* *90+ CRI only, 15W max)	WW Wallwash	INTEGRAL DRIVER	1 0.50" - 1.375"	INTEGRAL / REMOTE
F3S Square	T Trimless Drywall	2 Wet*		AG Satin Silver	AG Satin Silver	80S06A 80+ CRI, 06 Watts Lumens Divd. - 629	27 2700K		X IC	2 1.375" - 2.125"	PH Forward / Reverse Phase, 2%, 120V
	W Trimless Millwork	* (Suction cup provided for aim & focus)		AU Cashmere Gold	AU Cashmere Gold	80S11A 80+ CRI, 11 Watts Lumens Divd. - 1012	30 3000K		Y NIC	T 0.50" - 1.375"*	SG eldoLED, ECOdrive 1%, 0-10V, LOG, 120V-277V
				BB Burnt Bronze	BB Burnt Bronze	80S15A 80+ CRI, 15 Watts Lumens Divd. - 1378	35 3500K		C IC, Airtight*	* (Includes adjustable housing height bracket, recommended for any T-Grid applications)	SN eldoLED, ECOdrive 1%, 0-10V, LIN, 120V-277V
				BK Black	BK Black	80S21A 80+ CRI, 21 Watts* Lumens Divd. - 1850	40 4000K		* (Chicago Plenum, Airtight & Title 24 compliant housing)		EG eldoLED, SOLdrive 0.1% 0-10V, LOG, 120V-277V
				PR Primer	PR Primer	90S06A 90+ CRI, 6 Watts Lumens Divd. - 540					EN eldoLED, SOLdrive 0.1% 0-10V, LIN, 120V-277V
				OO Trimless* * (Required for trimless)	CF Custom Finish* * (Consult Factory)	90S11A 90+ CRI, 11 Watts Lumens Divd. - 869					ED eldoLED, SOLdrive 0.1% DALI-2, LOG, 120V-277V
				CF Custom Finish* * (Consult Factory)		90S15A 90+ CRI, 15 Watts Lumens Divd. - 1184			V IC, Remote		LP Lutron, Hi-Lume Premier Ecosystem 0.1% Fade to Black, 120V or 277V*
						90S21A 90+ CRI, 21 Watts* Lumens Divd. - 1589			W NIC, Remote		* (Not available for 21W packages in X and C install types)
						97S06A 97+ CRI, 06 Watts Lumens Divd. - 474			D IC, Airtight, Remote*		AS1/ Athena Control ASR eldoLED, SOLdrive 0.1%, 120V-277V*
						97S11A 97+ CRI, 11 Watts Lumens Divd. - 763			* (Chicago Plenum, Airtight & Title 24 compliant housing)		* (Includes Athena Node. Extended lead time, consult factory. ASR includes shunt)
						97S15A 97+ CRI, 15 Watts Lumens Divd. - 1040					CS1/ Casambi Control CSR eldoLED, SOLdrive 0.1%, 120V-277V*
						97S21A 97+ CRI, 21 Watts* Lumens Divd. - 1395					* (Includes Casambi Node. Extended lead time, consult factory. CSR includes shunt)
						WARM DIM					TUNABLE WHITE REMOTE (120-277V)
						90W10A 90+ CRI, 10 Watts					DG eldoLED, DUALdrive 0.1% 0-10V, LOG
						90W15A 90+ CRI, 15 Watts Incandescent Profile 11W Lumens Divd. - 592 15W Lumens Divd. - 828	WL 2600K (11W) 2700K (15W) -1800K				DN eldoLED, DUALdrive 0.1% 0-10V, LIN
						Halogen Profile 11W Lumens Divd. - 600 15W Lumens Divd. - 840	WD 2900K (11W) 3000K (15W) -1800K				DD eldoLED, DUALdrive 0.1% DALI-2, LOG
						SEE PAGE 6 FOR DETAILED WARM DIM PROFILE COMPARISON.					AD1/ Athena Control ADR eldoLED, DUALdrive, 0.1%
						TUNABLE WHITE					* (Includes Athena Node. Extended lead time, consult factory. ADR includes shunt)
						90T17A 90+ CRI, 17 Watts* * (Only available for remote housings) Cool Profile Lumens Divd. - 960	TH 5000K - 2700K				CD1/ Casambi Control CDR eldoLED, DUALdrive, 0.1%*
						Warm Profile Lumens Divd. - 966	TR 4000K - 1800K				* (Includes Casambi Node. Extended lead time, consult factory. CDR includes shunt)
						ALL DELIVERED LUMEN OUTPUTS AND T24 COMPLIANCE REFLECT 3000K.					



PART NUMBER NOTES

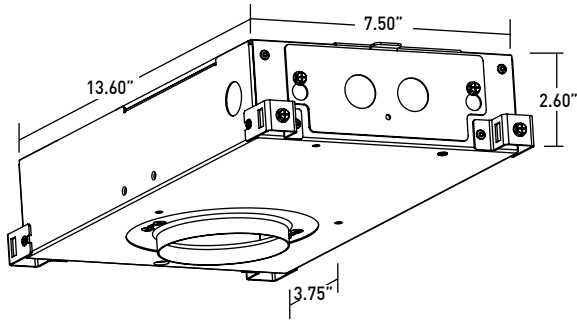
- Housing and trim ship as e.g., F3RM1W-WHWH-90S11A2-3X1-PH*



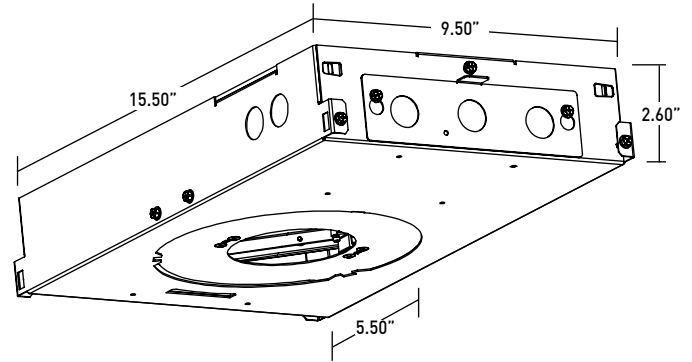
FRAXION3SLIM WALLWASH

ACCESSORIES

CURRENT FRAXION3



NEW FRAXION3



FIXTURE COMPARISON	CURRENT	NEW
MAX DELIVERED LUMENS	1850	2200
REMODEL	NO	YES
CONCRETE SOLUTION	NO	YES
INTERNATIONAL	NO	YES

FRAXION3SLIM WALLWASH

ACCESSORIES

REPLACEMENT OPTICS

Interchangeable optics accessible through fixture aperture.

Static White

RO-50-WW-S Wallwash optic

Warm Dim

RO-50-WW-W Wallwash optic

Tunable White

RO-50-WW-T Wallwash optic

ALTERNATE BAFFLE ASSEMBLY (INCLUDES EFFECTS DEVICE)

ASSEMBLY	SHAPE	RATING	TYPE	BAFFLE FINISH
RBA			W	
REPLACEMENT BAFFLE ASSEMBLY	F3R Round F3S Square	1 Dry / Damp 2 Wet* <small>*Requires suction cup to service or aim & focus)</small>	W Wallwash	WH White BK Black PR Primer AU Cashmere Gold AG Satin Silver BB Burnt Bronze CF Custom Finish * <small>*(Consult Factory)</small>

T-GRID ACCESSORY KIT

Supplied with ceiling thickness "T" and recommended for installations in T-Grid up to 1.5" tall. Available for ceiling thicknesses from 0.50" - 2.125".

TG-FX3-KIT

FURRING CHANNEL ACCESSORY KIT

Recommended for installations in furring channel. Available for ceiling thicknesses from 0.125" - 1.25".

DHA-FC-KIT

HANGER BAR EXTENDER KIT

Extends hanger bars from 24.0" to 46.0" maximum.

FRX-HBE-46 Extender, Hanger Bar

EMERGENCY LIGHTING - REMOTE MOUNT ONLY

During disruption of main power, emergency battery inverter provides temporary 120V or 277V to fixture.

- EMB-S-25-120/277-LEDX** 25 watt max capacity, 120 or 277 VAC 60Hz, Non-Dimmable
- EMB-S-100-120-LEDX** 100 watt max capacity, 120 VAC 60Hz, 0-10V Dimmable
- EMB-S-100-277-LEDX** 100 watt max capacity, 277 VAC 60Hz, 0-10V Dimmable
- EMB-S-250-120/277-LEDX** 250 watt max capacity, 120 or 277 VAC 60Hz, 0-10V Dimmable

***SHUNT REQUIRED FOR USE WITH ATHENA AND CASAMBI CONTROLS, CONSULT FACTORY FOR DETAILS.**

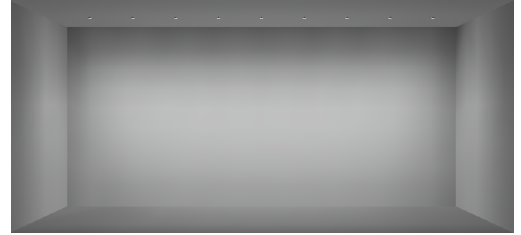
REPLACEMENT APPLIQUÉ

- DLA-APP-F3RT** Round
- DLA-APP-F3ST** Square

FRAXION3SLIM WALLWASH

WALLWASH DESIGN GUIDE

ROUND



RECOMMENDED

30" SETBACK / 30" ON CENTER SPACING

- AVERAGE FC: 19.53
- MIN / MAX: 4.63
- 10FT CEILING SHOWN / 8-12FT IDEAL
- 9 FIXTURES / 25FT WALL SHOWN

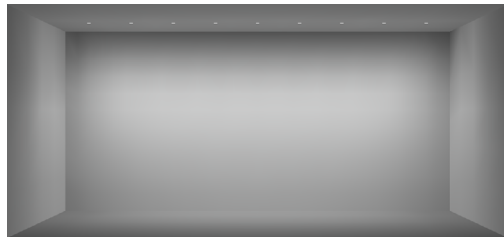
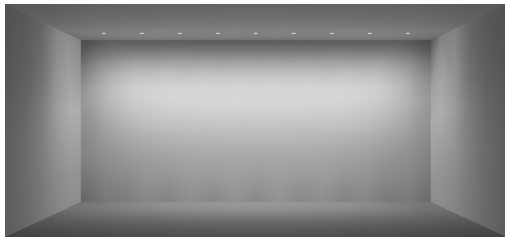
36" SETBACK / 36" ON CENTER SPACING

- AVERAGE FC: 14.96
- MIN / MAX: 4.79
- 10FT CEILING SHOWN / 8-12FT IDEAL
- 9 FIXTURES / 30FT WALL SHOWN

42" SETBACK / 42" SPACING ON CENTER

- AVERAGE FC: 11.82
- MIN / MAX: 6.10
- 10FT CEILING SHOWN / 8-12FT IDEAL
- 9 FIXTURES / 35FT WALL SHOWN

SQUARE



RECOMMENDED

30" SETBACK / 30" ON CENTER SPACING

- AVERAGE FC: 20.30
- MIN / MAX: 4.45
- 10FT CEILING SHOWN / 8-12FT IDEAL
- 9 FIXTURES / 25FT WALL SHOWN

36" SETBACK / 36" ON CENTER SPACING

- AVERAGE FC: 15.59
- MIN / MAX: 4.47
- 10FT CEILING SHOWN / 8-12FT IDEAL
- 9 FIXTURES / 30FT WALL SHOWN

42" SETBACK / 42" SPACING ON CENTER

- AVERAGE FC: 12.29
- MIN / MAX: 5.76
- 10FT CEILING SHOWN / 8-12FT IDEAL
- 9 FIXTURES / 35FT WALL SHOWN

ADDITIONAL SPACINGS AND SETBACKS

ROUND			
ON CENTER SPACING	SETBACK		
	30"	36"	42"
30"	SHOWN ABOVE	AVERAGE FC: 17.71 MIN / MAX: 4.78	AVERAGE FC: 15.93 MIN / MAX: 5.19
36"	AVERAGE FC: 16.38 MIN / MAX: 4.53	SHOWN ABOVE	AVERAGE FC: 13.57 MIN / MAX: 5.20
42"	AVERAGE FC: 14.11 MIN / MAX: 5.79	AVERAGE FC: 12.90 MIN / MAX: 5.94	SHOWN ABOVE

SQUARE			
ON CENTER SPACING	SETBACK		
	30"	36"	42"
30"	SHOWN ABOVE	AVERAGE FC: 18.46 MIN / MAX: 4.45	AVERAGE FC: 16.69 MIN / MAX: 4.87
36"	AVERAGE FC: 17.03 MIN / MAX: 4.26	SHOWN ABOVE	AVERAGE FC: 14.17 MIN / MAX: 4.91
42"	AVERAGE FC: 14.69 MIN / MAX: 5.53	AVERAGE FC: 13.44 MIN / MAX: 5.47	SHOWN ABOVE

***ALL DATA REFLECTS 90S15A WATTAGE PACKAGE**

FRAXION3SLIM WALLWASH

PERFORMANCE - 3000K

LUMEN PACKAGE	WATT-AGE	WALLWASH OPTIC	
		DELIVERED	LPW
80S06A	06	629	105
80S11A	11	1012	92
80S15A	15	1378	92
80S21A	21	1850	88
90S06A	06	540	90
90S11A	11	869	79
90S15A	15	1184	79
90S21A	21	1589	76
97S06A	06	474	79
97S11A	11	763	69
97S15A	15	1040	69
97S21A	21	1395	66
90W10A (26K-18K)	10	592	59
90W10A (29K-18K)	10	600	60
90W15A (27K-18K)	15	828	56
90W15A (30K-18K)	15	840	56
90T17A (50K-27K)	17	960	56
90T17A (40K-18K)	17	966	56

OUTPUT MULTIPLIER

CCT	CCT SCALE
2400K	0.85
2700K	0.97
3000K	1.00
3500K	1.03
4000K	1.08

TUNABLE WHITE MULTIPLIER

CCT	5000K-2700K	4000K-1800K
5000K	1.16	-
4000K	1.08	1.14
3500K	1.04	1.07
3000K	1.00	1.00
2700K	0.96	0.92
2400K	-	0.84
1800K	-	0.69



JA8-2022 INDICATED BY SHADING

FRAXION3SLIM WALLWASH

WARM DIM PERFORMANCE - SOFT FOCUS LENS - WW OPTIC

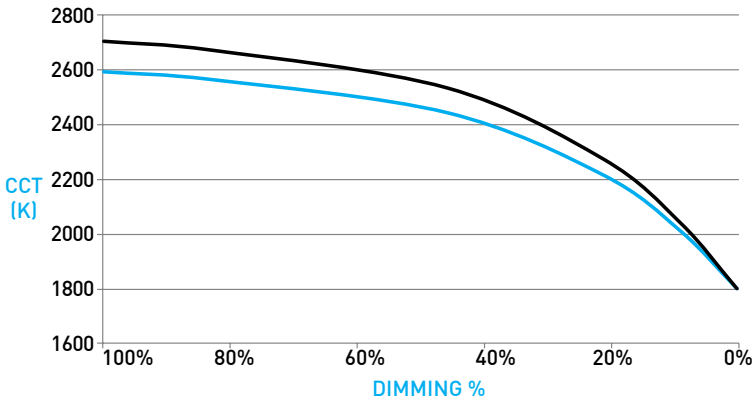
INCANDESCENT PROFILE

90W10AL 2700K - 1800K	Full on 100%	Dimmed to 80%	Dimmed to 70%	Dimmed to 50%	Dimmed to 20%	Dimmed to 10%	Dimmed to 2%
CCT (K)	2600	2550	2520	2450	2200	1925	1800
Light Output (Lm)	592	473	414	296	118	59	1
Power (W)	10	8	7	5	2	1	.2
Efficacy (LPW)	59	59	59	59	59	59	59
90W15AL 2700K - 1800K	Full on 100%	Dimmed to 80%	Dimmed to 70%	Dimmed to 50%	Dimmed to 20%	Dimmed to 10%	Dimmed to 2%
CCT (K)	2700	2650	2620	2520	2180	1950	1800
Light Output (Lm)	828	662	579	414	165	82	16
Power (W)	15	12	10.5	7.5	3	1.5	0.3
Efficacy (LPW)	56	56	56	56	56	56	56

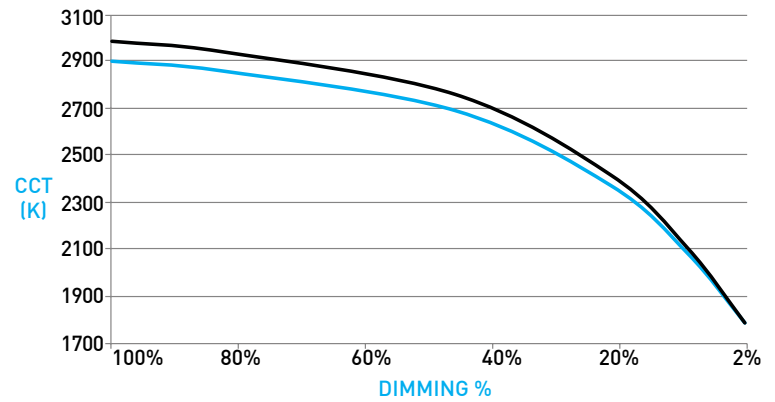
HALOGEN PROFILE

90W10AD 3000K - 1800K	Full on 100%	Dimmed to 80%	Dimmed to 70%	Dimmed to 50%	Dimmed to 20%	Dimmed to 10%	Dimmed to 2%
CCT (K)	2900	2850	2800	2720	2350	1975	1800
Light Output (Lm)	600	480	420	300	120	60	12
Power (W)	10	8	7	5	2	1	.2
Efficacy (LPW)	60	60	60	60	60	60	60
90W15AD 3000K - 1800K	Full on 100%	Dimmed to 80%	Dimmed to 70%	Dimmed to 50%	Dimmed to 20%	Dimmed to 10%	Dimmed to 2%
CCT (K)	3000	2950	2920	2775	2375	2000	1800
Light Output (Lm)	840	672	588	420	168	84	16
Power (W)	15	12	10.5	7.5	3	1.5	0.3
Efficacy (LPW)	56	56	56	56	56	56	56

10W / 15W



10W / 15W

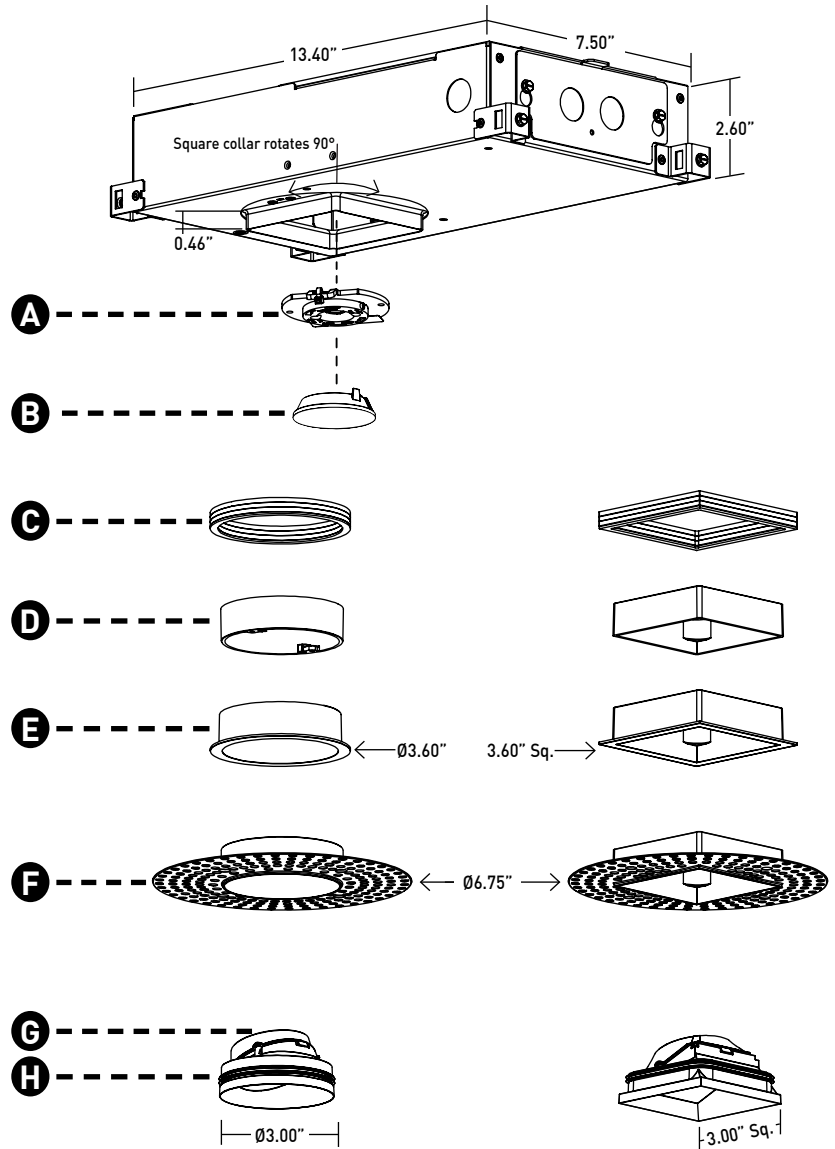


FRAXION3SLIM WALLWASH

DOWNLIGHT / HOUSING

- A LED**
Integral LED module design enables field service / replacement through housing aperture.
- B OPTIC**
Robust light engine with optimized optic pairing integrates Reflection, Refraction, and TIR principles.
- C TRIMLESS MILLWORK SPACERS**
Provided for Trimless Millwork installations; includes (1) 1/16" spacer and (5) 1/8" spacers.
- D TRIM EXTENSION**
Provided for -2 ceiling thickness; accommodates 2.125" max ceiling thickness.
- E MICROFLANGE PROFILE**
Features 0.30" flange. Thickness measures 0.06". Installed after ceiling is complete. Requires 3.375" diameter cutout. Wet location features integral silicone gasket.
- F TRIMLESS DRYWALL PROFILE**
Installs totally flush with the ceiling with no visible trim. Appliqué includes screws for mounting and has 0.06" plaster stop. Not recommended for stucco applications.
- G MEDIA**
Asymmetrical spread lens, included and sealed in place, combined with angled optic and wide aperture enhance uniformity. Suction tool provided for removal of baffle.
- H BAFFLE**
Die-cast baffle minimizes aperture glare and conceals view into housing; includes gasket.

DIMENSIONS / DRAWINGS



FRAXION3SLIM WALLWASH

DOWNLIGHT / HOUSING

- I** **IC HOUSING**
 - For IC ceilings.
 - No setback from polycell spray foam insulation having max R-Value of 60 on all sides and top of housing.
- J** **NIC HOUSING**
 - Minimum 0.50" setback from combustible and non-combustible materials on all sides and top of housing.
 - Minimum 3.00" setback from insulation material having max R-Value 30 on all sides and top of housing.
 - Minimum 6.00" setback from polycell spray foam insulation having max R-Value 60.
- K** **ADJUSTABLE HANGER BAR HEIGHT ACCESSORY**

Provided with ceiling thickness "T" and recommended for installations in T-Grid up to 1.5" tall. Hanger bars are installed to adjustable bracket. Allows housing to be raised and lowered; ceiling thickness remains 0.5" to 1.375" max.
- L** **APPLIQUÉ DETAIL**

Appliqué for plaster floating directly to baffle.
- M** **REMOTE POWER SUPPLY**

Provided with install Types "V", "W" and "D". Remote power supply provides additional driver options. See page 9 for maximum allowable secondary run lengths between PSF3-RMT and fixture. Must be installed in an accessible location.
- N** **ATHENA / CASAMBI CONTROL**

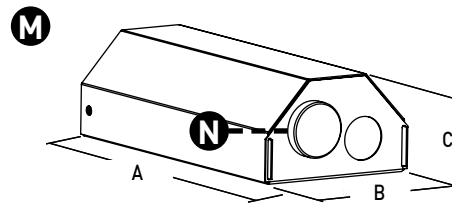
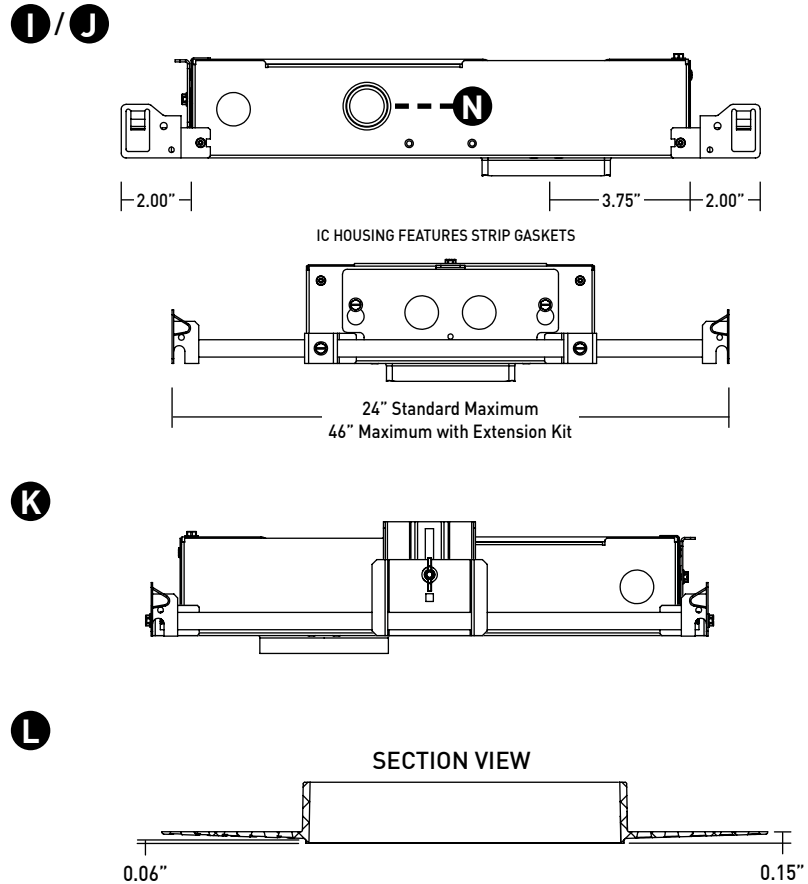
Controls integrated into housing or remote driver assembly. All equipment is serviceable.

Athena Model Numbers: A-WN-D01-RF-BL & DFC-OEM-DBI

Casambi Model Number: BT-S1E1-5400
- O** **ATHENA / CASAMBI EM SHUNT**

Included with drivers specified as ASR, ADR, CSR, or CDR. One required for each wireless EM fixture, requires class 2 control wiring between fixture and shunt. Features integrated test switch.

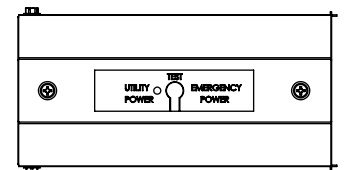
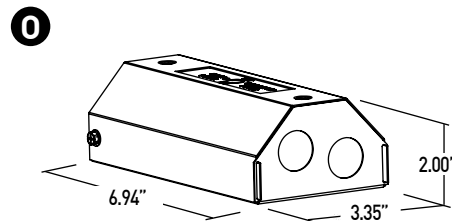
Model Number: PS-RMT-SHUNT



	A	B	C
STATIC WHITE / WARM DIM	6.94"	3.35"	2.00"
TUNABLE WHITE	8.10"	5.00"	2.00"
ATHENA / CASAMBI CONTROLLED	8.10"	5.00"	2.00"

HOUSING NOTES

- Do not install NON-IC housings in environments where ambient temperatures exceed 40°C (104°F). See table below for IC housings.
- Power supply compartment and all splice connections may be serviced from room side.
- Consult factory for spacing requirements for any installations exceeding R-Value 60.
- Hanger bars fitted to short side of housing or long side when TG accessory is specified; extend from 14.0" to 24.0", but may be field cut to accommodate narrow stud spacing. Can be extended up to 46" maximum with FRX-HBE-46 kit.
- Hanger bars and brackets add 4.00" max to the overall dimension, but are exclusive of the setback requirements.
- Housings for round trims feature a round aperture housing collar. Housings for square trims feature a square housing collar that rotates up to 90 degrees for fixture alignment. Housing collars accommodate ceiling thicknesses between 0.50" and 2.125".



IC HOUSING MAX AMBIENT TEMPERATURE	
LUMEN PACKAGE	TEMPERATURE
06W / 11W STATIC WHITE	40°C (104°F)
10W WARM DIM	35°C (95°F)
15W STATIC WHITE	25°C (77°F)
15W WARM DIM	30°C (86°F)
17W TUNABLE WHITE	30°C (86°F)

FRAXION3SLIM WALLWASH

TECHNICAL

CONSTRUCTION

Downlight: Painted finishes are granulated powder coat.
Housing: Aluminum and 22 Gauge galvanized steel. Die-cast aluminum heat-sink.
Remote Power Supply: 22 Gauge galvanized steel.
Appliqué: Zinc alloy.

STATIC WHITE LED

2-step MacAdam ellipse LED module available in 80+, 90+ and 97+ CRI configurations in color temperatures of 2700K, 3000K, 3500K and 4000K.
 3-step MacAdam ellipse LED module available in 90+ CRI configuration in color temperature of 2400K. Average rated lamp life of 50,000 hours.
 LED and driver assemblies are field-replaceable.

WARM DIM LED

3-step MacAdam ellipse warm dim LED module available in 90+ CRI configuration. 3000K or 2700K at full brightness, warming to 1800K at full dim. Average rated lamp life of 50,000 hours. LED and driver assemblies are field-replaceable.

TUNABLE WHITE LED

3-step MacAdam ellipse tunable white LED module available in 90+ CRI configuration. Features tuning ranges of 1800K to 4000K and 2700K to 5000K. Average rated lamp life of 50,000 hours. LED and driver assemblies are field-replaceable.

POWER SUPPLY PERFORMANCE AND DIMMING INFORMATION

	PHASE		0-10V					ECO	DALI-2		ATHENA		CASAMBI	
Power Supply	PH	SG	SN	EG	EN	DG	DN	LP	ED	DD	AS	AD	CS	CD
Minimum °C	-20 °C	-20 °C	-20 °C	-20 °C	-20 °C	-20 °C	-20 °C	0 °C	-20 °C	-20 °C	0 °C	0 °C	-20 °C	-20 °C
Maximum °C	40 °C	40 °C	40 °C	40 °C	40 °C	40 °C	40 °C	40 °C	40 °C	40 °C	40 °C	40 °C	40 °C	40 °C
Dimming %	2.0%	1.0%	1.0%	0.1%	0.1%	0.1%	0.1%	0.1%	0.1%	0.1%	0.1%	0.1%	0.1%	0.1%

Note: For LP, EG and EN drivers consult chart on page 10 to confirm appropriate dimming curve for compatibility with selected control.

MAXIMUM ALLOWABLE REMOTE DRIVER WIRING DISTANCES

DRIVER	WIRE AWG				
	12	14	16	18	20
PH	285'	180'	113'	71'	45'
LP	60'	40'	25'	15'	-
EG, EN, ED, DG, DN, DD, SG, SN, AS, CS, AD, CD	-	-	118'	72'	46'

LISTING

cTUVus listed to UL1598 standard for Dry / Damp and Wet locations. CCEA, Airtight, and Title 24 JA8-2022 Listed. NEMA 410 Compliant.

BUY AMERICAN ACT

All Fraxion3 Slim Wallwash configurations are Buy American Act compliant.

DECLARE

LBC Red List Approved.

WEIGHT

Fixture - 2.4 lbs
 Remote Driver - 1.4 lbs

LIMITED WARRANTY

Manufacturer's Limited Warranty guarantees product(s) listed to be free from defects in material and workmanship under normal use and service for 1-year. LED and power supplies are warranted to operate with 70% of original flux and remain within a range of 3 duv for a period of 5-years.

10-year Lutron Advantage limited warranty available on Lutron equipped systems. Warranty period begins from the date of shipment by Seller.

[Consult website for full warranty terms and conditions.](#)

CHANGE LOG

- 10/17/2022: REMOVED 90W13A 3200K-1800K WARM DIM AND ADDED 90W15AD 3000K-1800K WARM DIM.
- 10/17/2022: UPDATED MAX AMBIENT TEMPERATURE TABLE.
- 02/14/2023: ADDED EG, EN, AND ED DRIVER OFFERINGS.
- 04/26/2023: ADDED DECLARE LBC RED LIST APPROVED.
- 08/07/2023: ADDED NEW LED AND OPTIC OFFERINGS. REMOVED 2200K OFFERING.
- 02/01/2024: ADDED ATHENA AND CASAMBI CONTROL OFFERING, 2400K, AND WARM PROFILE TUNABLE WHITE.
- 07/15/2024: REMOVED L2 DRIVER OFFERING.



FRAXION3SLIM WALLWASH

DIMMING COMPATIBILITY

LUTRON DRIVER COMPATIBILITY

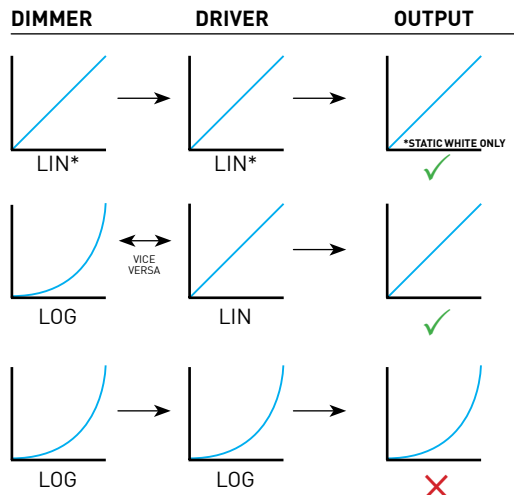
Power supply LP Lutron Product Family	Part No.
PowPak Dimming Modules	RMJ-EC032-DV-B
PowPak Dimming Modules	FCJ/FCJS-ECO
Energi Savr Nodes	QSN-1ECO-S
GRAFIK Eye QS control unit Homeworks QS control unit	QSN-2ECO-S
GRAFIK Eye QS control unit Homeworks QS control unit	QSGRJ- _E (wireless) QSGR- _E
Quantum Hub	QP2- _ _ 2C
Quantum Hub	QP2- _ _ 4C
Quantum Hub	QP2- _ _ 6C
Quantum Hub	QP2- _ _ 8C
Homeworks QS power module myRoom Plus power module	LQSE-2ECO-D



eldoLED DRIVER COMPATIBILITY

Power supply EG/SG Manufacturer	Family/Model #
Busch-Jaeger	2112U-101
Jung	240-10
Leviton Lighting Controls	IP710-DLX
Lightolier Controls	ZP600FAM120
Merten	5729
Pass & Seymour	CD4FB-W
The Watt Stopper	DCLV1
Synergy	ISD BC
Crestron®	GLX-DIMFLV8
Crestron®	GLXP-DIMFLV8
Crestron®	GLPAC-DIMFLV4-*
Crestron®	GLPAC-DIMFLV8-*
Crestron®	GLPP-DIMFLVEX-PM
Crestron®	GLPP-1DIMFLV2EX-PM
Crestron®	GLPP-1DIMFLV3EX-PM
Crestron®	DIN-A08
Crestron®	DIN-4DIMFLV4
Crestron®	CLS-EXP-DIMFLV
Crestron®	CLCI-1DIMFLV2EX
Power supply EN/SN Manufacturer	Family/Model #
Lutron Electronics	Nova T® - NTFTV
Lutron Electronics	Diva® - DDTV
Lutron Electronics	Nova® - NFTV
Lutron Electronics	GrafixEye® GRX-TVI w GRX3503
Lutron Electronics	Energy Savr Node™ - QSN-4T16-S
Lutron Electronics	TVM2 Module
Sensor Switch	nIO EZ
ABB	SD/S 2.16.1

ANALOG DRIVERS AND DIMMERS



LIN = LINEAR
LOG = LOGARITHMIC
*LIN-TO-LIN NOT COMPATIBLE FOR WARM-DIM