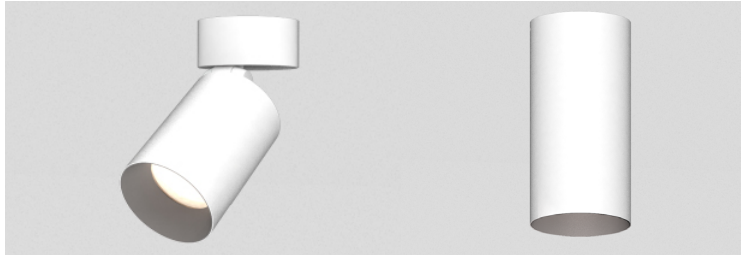


CYLINDER 4

SURFACE MOUNT

Highlight art, objects, places, spaces, seating areas, and architectural details with a classic profile that offers easy-to-adjust, in-field versatility.

| | |
|---------------|-------|
| PROJECT NAME: | TYPE: |
|---------------|-------|



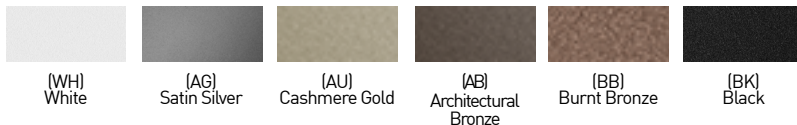
ORDERING INFORMATION



JA8-2022 COMPLIANCE INDICATED BY SHADING

| CYLINDER | FIXTURE | RATING | CYLINDER FINISH | BAFFLE FINISH | CRI / WATTAGE PACKAGE | CCT | OPTIC(UGR) | DRIVER | MEDIA | MOUNTING |
|-------------|--|-----------------------------------|-----------------|-----------------|--|---|---|--|---|----------|
| CY4X | | | | | | | | | | |
| CY4X 4.90" | AD Standard 90° FB Fixed Body WW Wallwash | 1 Dry/Damp (IP30) 2 Wet (IP55) | WH White | WH White | STATIC WHITE 80S30E 80+ CRI, 30 Watts Lm. Delivered - 3104 80S41E 80+ CRI, 41 Watts Lm. Delivered - 4056 80S51E 80+ CRI, 51 Watts Lm. Delivered - 4851 90S30E 90+ CRI, 30 Watts Lm. Delivered - 2667 90S41E 90+ CRI, 41 Watts Lm. Delivered - 3484 90S51E 90+ CRI, 51 Watts Lm. Delivered - 4167 97S30E 90+ CRI, 30 Watts Lm. Delivered - 2342 97S41E 90+ CRI, 41 Watts Lm. Delivered - 3059 97S51E 90+ CRI, 51 Watts Lm. Delivered - 3659 TUNABLE WHITE 90T30B 90+ CRI, 30 Watts Cool Profile Lm. Delivered - 2231 Warm Profile Lm. Delivered - 2084 90T39B 90+ CRI, 39 Watts Cool Profile Lm. Delivered - 2720 Warm Profile Lm. Delivered - 2587 *ALL DELIVERED LUMEN OUTPUTS AND T24 COMPLIANCE REFLECT 3000K PAIRED WITH 40° AND STANDARD MEDIA. | 24 2400K* *(90+ CRI only) 27 2700K 30 3000K 35 3500K 40 4000K 15 15° (<10) 25 25° (<10) 40 40° (<10) 60 60° (<16) WW Wallwash Optic* (<16) *(Required for Wallwash fixtures) | 1PH 120V 1% Forward / Reverse 1SG 120 or 277V 1% 0-10V Analog, LOG 1SN 120 or 277V 1% 0-10V Analog, LIN REMOTE (120-277V) 1LH Lutron, Hi-Lume 1% Ecosystem* *(Not available for 51W packages) 1EG eldoLED, 0.1% 0-10V, LOG 1EN eldoLED, 0.1% 0-10V, LIN 1ED eldoLED, 0.1% DALI, LOG UAS1 / UASR Athena Control eldoLED, 0.1% 120-277V* UCS1 / UCSR Casambi Control eldoLED, 0.1% 120-277V* *(Includes Node. Extended lead time, consult factory. UASR/UCSR includes shunt) TUNABLE WHITE REMOTE (120-277V) 1DD eldoLED, DUALdrive 0.1% DALI, LOG 1DG eldoLED, DUALdrive 0.1% 0-10V, LOG 1DN eldoLED, DUALdrive 0.1% 0-10V, LIN UAD1 / UADR Athena Control eldoLED, DUALdrive 0.1% 120-277V* UCD1 / UCDR Casambi Control eldoLED, DUALdrive 0.1% 120-277V* *(Includes Node. Extended lead time, consult factory. UADR/UCDR includes shunt) | STANDARD MEDIA 4 Soft Focus Lens W Wallwash Lens* *(Required for Wallwash fixtures) OPTIONAL MEDIA 0 No Lens* *(Not available for Wet locations) 2 Honeycomb Louver* *(Not available for Wet locations) 3 Clear Glass Lens 5 Frosted Glass Lens 6 Frosted Soft Focus Lens 7 Frosted Linear Spread Lens | JBOX Standard, J-Box Surface Mounting Plate CMJB 1/2" and 3/4" Conduit Ceiling Mount Junction Box* *(Not available for Wet locations) | |

POWDERCOAT FINISHES



PART NUMBER NOTES

- CY4X-AD ships as e.g., CY4XAD1WHBK90S30A341SG*4
- CY4X-FB ships as e.g., CY4XFB1WHBK80S30A441SG*4
- CY4X-WW ships as e.g., CY4XWW1WHBK90S30A35SG*W
- Remote driver ships as e.g., PSCY4X-RMT-90C-29B-LH*
- CMJB ships as CY4X-CMJB-(finish)



CYLINDER 4 SURFACE MOUNT

ACCESSORIES

ALTERNATE EFFECTS DEVICES

- HCL-CY4X-01** Honeycomb Louver *
*(Not available for Wet location)
- CGL-CY4X-01** Clear Glass Lens
- SFL-CY4X-01** Soft Focus Lens
- FGL-CY4X-01** Frosted Glass Lens
- FSFL-CY4X-01** Frosted Soft Focus Lens
- FLSL-CY4X-01** Frosted Linear Spread Lens

REPLACEMENT OPTIC ASSEMBLIES

- RO-90-15** 15° optic
- RO-90-20** 20° optic
- RO-90-25** 25° optic
- RO-90-40** 40° optic
- RO-90-60** 60° optic
- RO-90-WW** Wallwash optic

EMERGENCY LIGHTING - REMOTE MOUNT ONLY

- EMB-S-100-120-LEDX** 100 watt max capacity, 120 VAC 60Hz, 0-10V Dimmable
- EMB-S-100-277-LEDX** 100 watt max capacity, 277 VAC 60Hz, 0-10V Dimmable
- EMB-S-250-120/277-LEDX** 250 watt max capacity, 120 or 277 VAC 60Hz, 0-10V Dimmable

During disruption of main power, emergency battery inverter provides temporary 120V or 277V to fixture.

PERFORMANCE - 3000K - STANDARD EFFECTS DEVICE



JA8-2022 INDICATED BY SHADING

| LUMEN PACKAGE | WATTAGE | 15° OPTIC | | 25° OPTIC | | 40° OPTIC | | 60° OPTIC | | WALLWASH OPTIC | |
|--------------------------|---------|-----------|-----|-----------|-----|-----------|-----|-----------|-----|----------------|-----|
| | | DELIVERED | LPW | DELIVERED | LPW | DELIVERED | LPW | DELIVERED | LPW | DELIVERED | LPW |
| 80S30E | 30 | 3193 | 106 | 3030 | 101 | 3104 | 103 | 2930 | 98 | 3068 | 102 |
| 80S41E | 41 | 4272 | 104 | 3930 | 96 | 4056 | 99 | 3825 | 93 | 4042 | 99 |
| 80S51E | 51 | 5073 | 99 | 4717 | 92 | 4851 | 95 | 4590 | 90 | 4852 | 95 |
| 90S30E | 30 | 2743 | 91 | 2603 | 87 | 2667 | 89 | 2517 | 84 | 2636 | 88 |
| 90S41E | 41 | 3670 | 90 | 3376 | 82 | 3484 | 85 | 3286 | 80 | 3472 | 85 |
| 90S51E | 51 | 4358 | 85 | 4052 | 79 | 4167 | 82 | 3943 | 77 | 4168 | 82 |
| 97S30E | 30 | 2408 | 80 | 2285 | 76 | 2342 | 78 | 2210 | 74 | 2314 | 77 |
| 97S41E | 41 | 3222 | 79 | 2964 | 72 | 3059 | 75 | 2885 | 70 | 3048 | 74 |
| 97S51E | 51 | 3826 | 75 | 3558 | 70 | 3659 | 72 | 3462 | 68 | 3659 | 72 |
| 90T30BH (5000K-2700K) | 30 | 2313 | 77 | 2197 | 73 | 2331 | 74 | 2110 | 70 | 2205 | 74 |
| 90T39BH (5000K-2700K) | 39 | 2827 | 72 | 2720 | 70 | 2770 | 71 | 2628 | 67 | 2778 | 71 |
| 90T30BR (4000K-1800K) | 30 | 2160 | 72 | 2052 | 68 | 2084 | 69 | 1971 | 66 | 2059 | 69 |
| 90T39BR (4000K-1800K) | 39 | 2640 | 68 | 2540 | 65 | 2587 | 66 | 2454 | 63 | 2594 | 67 |

| CCT | CCT SCALE |
|-------|-----------|
| 2400K | 0.76 |
| 2700K | 0.97 |
| 3000K | 1.00 |
| 3500K | 1.03 |
| 4000K | 1.08 |

| MEDIA | LIGHT LOSS FACTOR |
|---------|-------------------|
| NO LENS | 1.05 |
| CGL | 1.00 |
| SFL | 1.00 |
| FGL | 0.89 |
| FSFL | 0.87 |
| FLSL | 0.82 |
| HCL | 0.65 |

| CCT | 5000K-2700K | 4000K-1800K |
|-------|-------------|-------------|
| 5000K | 1.16 | - |
| 4000K | 1.08 | 1.14 |
| 3500K | 1.04 | 1.07 |
| 3000K | 1.00 | 1.00 |
| 2700K | 0.96 | 0.92 |
| 2400K | - | 0.84 |
| 1800K | - | 0.69 |

UNIFIED GLARE RATING

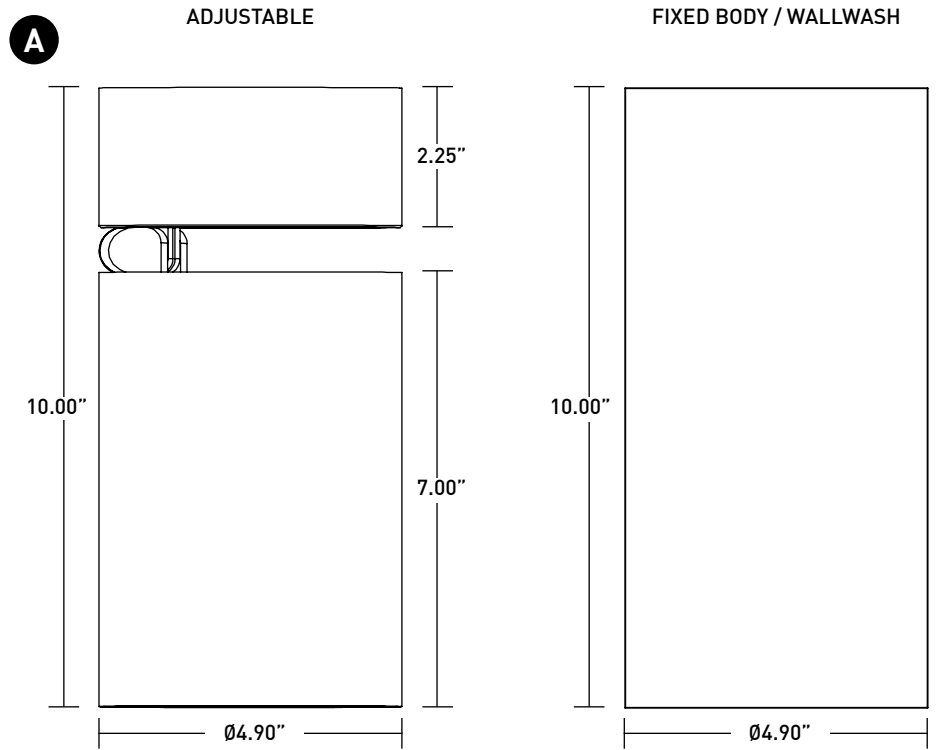
| 15° OPTIC SOFT FOCUS LENS | 25° OPTIC SOFT FOCUS LENS | 40° OPTIC SOFT FOCUS LENS | 60° OPTIC SOFT FOCUS LENS | WALLWASH OPTIC |
|------------------------------|------------------------------|------------------------------|------------------------------|----------------|
| <10 | <10 | <10 | <16 | <16 |

CYLINDER 4 SURFACE MOUNT

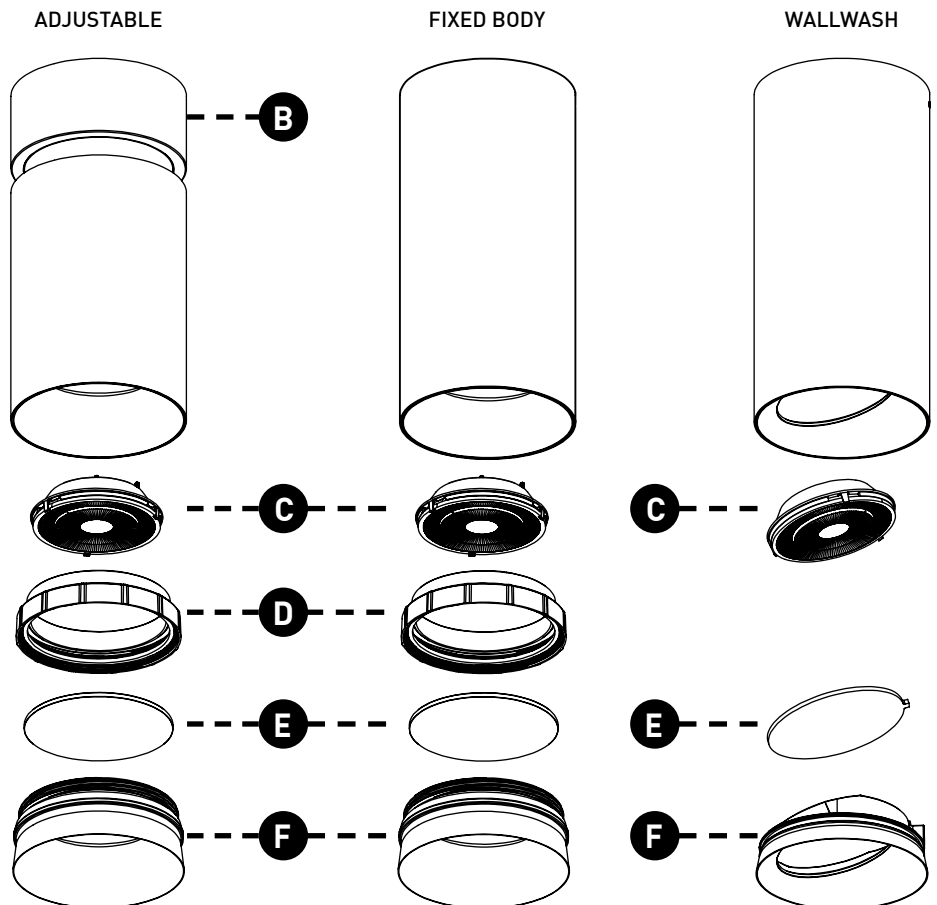
FIXTURE

- A LUMINAIRE**
Body with integrated heat sink and LED. Power supply may be integral or remote mount.
- B ADJUSTABLE CANOPY**
Die-cast canopy accommodates flat and sloped ceiling conditions. Conceals hidden twist-on mounting hardware. Features 90° tilt and 2.25" tall canopy.
- C ADJUSTABLE AND FIXED BODY OPTIC**
Robust light engine with optimized optic pairing integrates Reflection, Refraction and TIR offering 15°, 25°, 40° & 60° beams.
- WALLWASH OPTIC**
Robust light engine with precision tuned kick reflector and optic provide uniform wallwashing effect.
- D ADJUSTABLE AND FIXED BODY LENS RETAINER**
Threaded lens retainer attaches to baffle and accommodates up to two media.
- E ADJUSTABLE AND FIXED BODY MEDIA**
Soft focus lens standard. Media is field-changeable in Dry/Damp and Wet locations.
- WALLWASH MEDIA**
Wallwash lens is fixed to baffle and not field changeable.
- F BAFFLE**
Die-cast baffle minimizes aperture glare and conceals view into fixture.

DIMENSIONS / DRAWINGS



Fixture Weight - 6.0 lbs

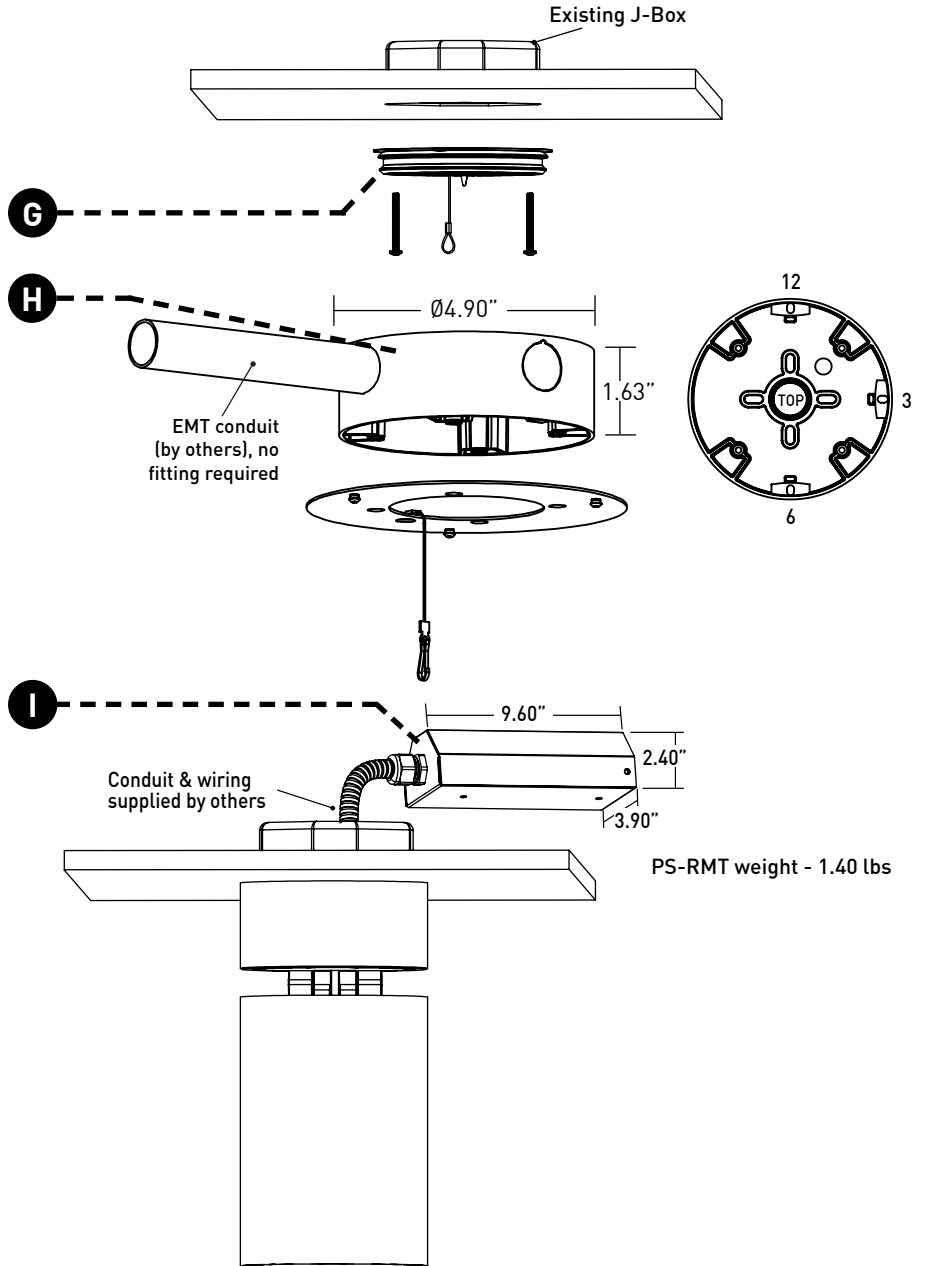


CYLINDER 4 SURFACE MOUNT

MOUNTING

- G MOUNTING ADAPTOR**
Mounting adaptor (concealed) for standard 3/0 and 4/0 j-boxes. Surface mounted, does not require installation prior to rough-in. Fixture mounts flush with minimalist transition to ceiling.
- H CMJB**
Ceiling mount junction box perfectly matches the cylinder profile for a continuous, integrated look where exposed ceiling mount junction box and conduit applications apply. For use with 1/2" and 3/4" EMT conduit only. Features three conduit entrances at 12, 3, and 6 o'clock plus one conduit knockout on top. Painted finishes only. Blank off plugs included.

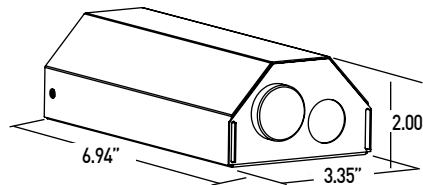
DIMENSIONS / DRAWINGS



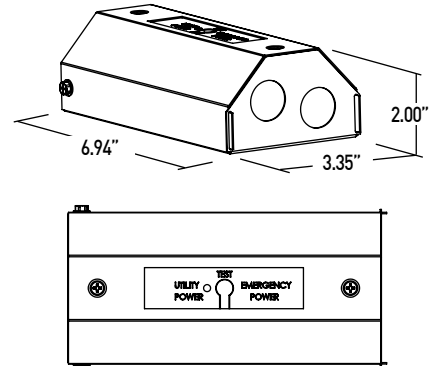
REMOTE POWER SUPPLY

- I PS-RMT**
Do not install in environments where ambient temperatures exceed 35°C (95°F). Remote power supply provides additional driver options. Mounting device still required. Consult install guide for maximum allowable secondary run lengths between PS-RMT and fixture.
- J ATHENA / CASAMBI CONTROL**
Controls integrated into remote driver assembly. All equipment is serviceable.
Athena Model Numbers: A-WN-D01-RF-BL & DFC-OEM-DBI
Casambi Model Number: BT-S1E1-5400
- K ATHENA / CASAMBI EM SHUNT**
Included with drivers specified as UASR, UADR, UCSR, or UCDR. One required for each wireless EM fixture, requires class 2 control wiring between fixture and shunt. Features integrated test switch.
Model Number: PS-RMT-SHUNT

J ATHENA / CASAMBI ENCLOSURE



K ATHENA / CASAMBI EM SHUNT



CYLINDER 4 SURFACE MOUNT

TECHNICAL

CONSTRUCTION

Cylinder: Machined aluminum body; extruded aluminum internal heat-sink; painted finishes are granulated powder coat.

CMJB: Die-cast aluminum body; painted finishes are granulated powder coat. **Remote Power Supply:** 22 Gauge galvanized steel.

LED

2-step MacAdam ellipse LED module available in 80+, 90+ and 97+ CRI configurations in color temperatures of 2700K, 3000K, 3500K and 4000K. 3-step MacAdam ellipse LED module available in 90+ configuration in color temperature of 2400K. Average rated lamp life of 50,000 hours. LED and driver assemblies are field-replaceable.

TUNABLE WHITE LED

3-step MacAdam ellipse tunable white LED module available in 90+ CRI configuration. Features tuning ranges of 1800K to 4000K and 2700K to 5000K. Average rated lamp life: 50,000 hours. Driver assembly is field-replaceable.

POWER SUPPLY PERFORMANCE AND DIMMING INFORMATION

| Power Supply | PHASE | | 0-10V | | | | | ECO | DALI | | ATHENA | | CASAMBI | |
|--------------|--------|--------|--------|--------|--------|--------|--------|-------|--------|--------|--------|-------|---------|--------|
| | 1PH | 1SG | 1SN | 1EG | 1EN | 1DG | 1DN | 1LH | 1ED | 1DD | AS1 | AD1 | CS1 | CD1 |
| Minimum °C | -10 °C | -10 °C | -10 °C | -20 °C | -20 °C | -20 °C | -20 °C | 0 °C | -20 °C | -20 °C | 0 °C | 0 °C | -20 °C | -20 °C |
| Maximum °C | 40 °C | 40 °C | 40 °C | 40 °C | 40 °C | 40 °C | 40 °C | 40 °C | 40 °C | 40 °C | 40 °C | 40 °C | 40 °C | 40 °C |
| Dimming % | 1.0% | 1.0% | 1.0% | 0.1% | 0.1% | 0.1% | 0.1% | 1.0% | 0.1% | 0.1% | 0.1% | 0.1% | 0.1% | 0.1% |

Note: 1LH, 1EG and 1EN drivers consult chart on page 6 to confirm appropriate dimming curve for compatibility with selected control.

MAXIMUM ALLOWABLE REMOTE DRIVER WIRING DISTANCES

| DRIVER | WIRE AWG | | | | |
|--|----------|------|------|-----|-----|
| | 12 | 14 | 16 | 18 | 20 |
| PH,SG,SN | 285' | 180' | 113' | 71' | 45' |
| LH | 60' | 40' | 25' | 15' | - |
| EG, EN, ED, DG, DN, DD, AS, AD, CS, CD | - | - | 118' | 72' | 46' |

MOUNTING

Cylinder is supplied with a mounting adaptor, which integrates with standard 3/0 or 4/0 junction boxes. Ceiling-mount junction box available for 1/2" (13mm) and 3/4" (19mm) conduit and features concealed internal clamps for clean fitting-free conduit exit and entry.

WALLWASH SPACING

Recommended fixture spacing is 48" on center with 48" setback from wall plane.

LISTING

cTUVus listed to UL1598 standard for Dry / Damp and Wet locations. IP30 (Dry/ Damp) rated at IEC60598 and IP55 (Wet) rated at IEC60529.

Title 24 JA8-2022 Listed.

NEMA 410 compliant.

BUY AMERICAN ACT

All CY4X configurations are Buy American Act compliant.

DECLARE

LBC Red List Approved.

WEIGHT

Adjustable - 5.4 lbs max

Fixed / Wallwash - 6 lbs max

Remote Driver - 1.4 lbs

LIMITED WARRANTY

Manufacturer's 1-year warranty guarantees product(s) listed to be free from defects in material and workmanship under normal use and service. 5-year warranty on LED and power supply to operate with 70% of the original flux and remain within a range of 3 duv. 10-year Lutron Advantage limited warranty available on Lutron equipped systems. Warranty period begins from the date of shipment by Seller. Consult [website](#) for full warranty terms and conditions.

CHANGE LOG

- 01/06/2022: ADDED TITLE 24 JA8-2022 LISTING.
- 04/26/2023: ADDED DECLARE LBC RED LIST APPROVED.
- 08/08/2023: ADDED NEW LED AND OPTIC SYSTEM.
- 1/11/2024: ADDED ATHENA/CASAMBI OFFERINGS, ADDED 2400K OFFERING, ADDED RESIDENTIAL TW OFFERING.
- 07/11/2024: UPDATED AVAILABLE POWDERCOAT FINISHES.
- 07/22/2024: REMOVED L2 DRIVER.

CYLINDER 4 SURFACE MOUNT

DIMMING COMPATIBILITY

LUTRON DRIVER COMPATIBILITY

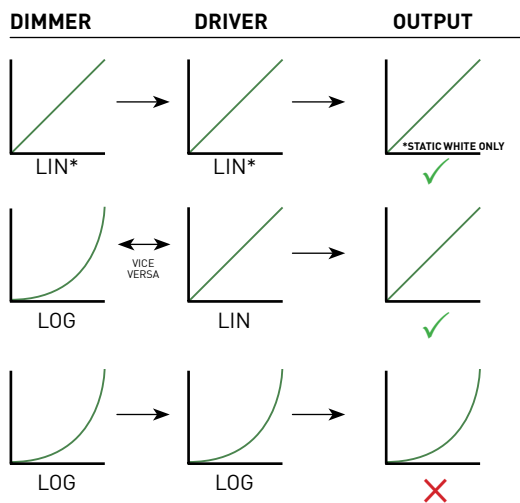
| Power supply 1LH Lutron Product Family | Part No. |
|---|----------------------------------|
| PowPak Dimming Modules | RMJ-EC032-DV-B |
| PowPak Dimming Modules | FCJ/FCJS-ECO |
| Energi Savr Nodes | QSN-1ECO-S |
| GRAFIK Eye QS control unit Homeworks QS control unit | QSN-2ECO-S |
| GRAFIK Eye QS control unit Homeworks QS control unit | QSGRJ- _E (wireless) QSGR- _E |
| Quantum Hub | QP2-__ _2C |
| Quantum Hub | QP2-__ _4C |
| Quantum Hub | QP2-__ _6C |
| Quantum Hub | QP2-__ _8C |
| Homeworks QS power module myRoom Plus power module | LQSE-2ECO-D |



eldoLED DRIVER COMPATIBILITY

| Power supply EA2 Manufacturer | Family/Model # |
|----------------------------------|--------------------------------|
| Busch-Jaeger | 2112U-101 |
| Jung | 240-10 |
| Leviton Lighting Controls | IP710-DLX |
| Lightolier Controls | ZP600FAM120 |
| Merten | 5729 |
| Pass & Seymour | CD4FB-W |
| The Watt Stopper | DCLV1 |
| Synergy | ISD BC |
| Crestron® | GLX-DIMFLV8 |
| Crestron® | GLXP-DIMFLV8 |
| Crestron® | GLPAC-DIMFLV4-* |
| Crestron® | GLPAC-DIMFLV8-* |
| Crestron® | GLPP-DIMFLVEX-PM |
| Crestron® | GLPP-1DIMFLV2EX-PM |
| Crestron® | GLPP-1DIMFLV3EX-PM |
| Crestron® | DIN-A08 |
| Crestron® | DIN-4DIMFLV4 |
| Crestron® | CLS-EXP-DIMFLV |
| Crestron® | CLCI-1DIMFLV2EX |
| Power supply LA2 Manufacturer | Family/Model # |
| Lutron Electronics | Nova T® - NTFTV |
| Lutron Electronics | Diva® - DDTV |
| Lutron Electronics | Nova® - NFTV |
| Lutron Electronics | GrafixEye® GRX-TVI w GRX3503 |
| Lutron Electronics | Energy Savr Node™ - QSN-4T16-S |
| Lutron Electronics | TVM2 Module |
| Sensor Switch | nIO EZ |
| ABB | SD/S 2.16.1 |

ANALOG DRIVERS AND DIMMERS



LIN = LINEAR
 LOG = LOGARITHMIC
 *LIN-TO-LIN NOT COMPATIBLE FOR WARM-DIM