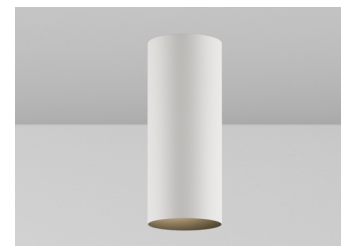


# CYLINDER 3 SURFACE MOUNT

Our best-selling cylinders keep getting better. Adjustable, fixed, and wallwash are all offered in a broad range of sizes, with lumens from 500 to almost 5000lm, standard 90° tilt, and more than a dozen finish options. Now, there's a fixture for anywhere you need to illuminate anything.

<b>PROJECT NAME:</b>	<b>TYPE:</b>
----------------------	--------------



## ORDERING INFORMATION



Quick Ship Product. All rough in components ship within 10 days up to quantities of 100.



**JA8-2022 COMPLIANCE INDICATED BY SHADING**

CYLINDER	FUNCTION	RATING	CYLINDER FINISH	BAFFLE FINISH	CRI / WATTAGE PACKAGE	CCT	OPTIC (UGR)	MEDIA	POWER SUPPLY	MOUNTING
<b>CY3X</b>										
<b>CY3X 3.91" Ø</b>	<b>AD</b> 90° Adjustable <b>AS</b> 90° Adjustable Shallow Canopy* <small>* (Remote driver only)</small> <b>AW</b> Adjustable Wallwash <b>FB</b> Fixed <b>WW</b> Wallwash Fixed	<b>1</b> Dry / Damp (IP30) <b>2</b> Wet (IP65)	<b>POWDERCOAT FINISHES</b> <b>WH</b> White <b>AG</b> Satin Silver <b>AU</b> Cashmere Gold <b>AB</b> Architectural Bronze <b>BB</b> Burnt Bronze <b>BK</b> Black <b>CF</b> Custom Finish* <small>* (Consult Factory)</small> <b>ALUMINA FINISHES</b> <b>01</b> Brushed Obsidian <b>02</b> Matte Obsidian <b>03</b> Brushed Dark Patinated Bronze <b>04</b> Matte Dark Patinated Bronze <b>05</b> Brushed Aged Aluminum <b>06</b> Matte Aged Aluminum <b>07</b> Brushed Cast Brass <b>08</b> Matte Cast Brass <b>09</b> Brushed Light Patinated Bronze <b>10</b> Matte Light Patinated Bronze <b>FINISH IMAGES ON PAGE 2</b>	<b>POWDERCOAT FINISHES</b> <b>WH</b> White <b>AG</b> Satin Silver <b>AU</b> Cashmere Gold <b>AB</b> Architectural Bronze <b>BB</b> Burnt Bronze <b>BK</b> Black <b>CF</b> Custom Finish* <small>* (Consult Factory)</small> <b>ALUMINA FINISHES</b> <b>01</b> Brushed Obsidian <b>02</b> Matte Obsidian <b>03</b> Brushed Dark Patinated Bronze <b>04</b> Matte Dark Patinated Bronze <b>05</b> Brushed Aged Aluminum <b>06</b> Matte Aged Aluminum <b>07</b> Brushed Cast Brass <b>08</b> Matte Cast Brass <b>09</b> Brushed Light Patinated Bronze <b>10</b> Matte Light Patinated Bronze <b>FINISH IMAGES ON PAGE 2</b>	<b>STATIC WHITE</b> <b>80S11B</b> 80+ CRI, 11 Watts 1240 lm delivered <b>80S17B</b> 80+ CRI, 17 Watts 1943 lm delivered <b>80S23B</b> 80+ CRI, 23 Watts 2559 lm delivered <b>80S32B</b> 80+ CRI, 32 Watts 3372 lm delivered <b>80S38B*</b> 80+ CRI, 38 Watts 3932 lm delivered <small>* (Remote driver required)</small> <b>90S11B</b> 90+ CRI, 11 Watts 1060 lm delivered <b>90S17B</b> 90+ CRI, 17 Watts 1661 lm delivered <b>90S23B</b> 90+ CRI, 23 Watts 2187 lm delivered <b>90S32B</b> 90+ CRI, 32 Watts 2882 lm delivered <b>90S38B*</b> 90+ CRI, 38 Watts 3361 lm delivered <small>* (Remote driver required)</small> <b>97S11B</b> 97+ CRI, 11 Watts 975 lm delivered <b>97S17B</b> 97+ CRI, 17 Watts 1528 lm delivered <b>97S23B</b> 97+ CRI, 23 Watts 2012 lm delivered <b>97S32B</b> 97+ CRI, 32 Watts 2651 lm delivered <b>97S38B*</b> 97+ CRI, 38 Watts 3092 lm delivered <small>* (Remote driver required)</small> <b>WARM DIM</b> <b>90W24B</b> 90+ CRI, 24 Watts Incandescent Profile 1642 lm delivered Halogen Profile 1777 lm delivered <small>*SEE PAGE 4 FOR DETAILED PERFORMANCE CONFIGURATIONS AND WARM DIM PROFILE COMPARISON.</small> <b>TUNABLE WHITE (REMOTE DRIVER ONLY)</b> <b>90T32B</b> 90+ CRI, 32 Watts Warm Profile 2325 lm delivered Cool Profile 2580 lm delivered <b>*ALL DELIVERED LUMEN OUTPUTS AND T24 COMPLIANCE REFLECT 3000K PAIRED WITH 20° OPTIC AND SOFT FOCUS LENS.</b>	<b>24</b> 2400K* <small>* (90+ CRI only, 17W max)</small> <b>27</b> 2700K <b>30</b> 3000K <b>35</b> 3500K <b>40</b> 4000K  <b>WL</b> 2700K - 1800K <b>WD</b> 3000K - 1800K  <b>TR</b> 4000K - 1800K <b>TH</b> 5000K - 2700K  <b>WW</b> Wallwash* <small>* (Required for WW &amp; AW fixture)</small>	<b>10</b> 10° (<10) <small>* (17 Watts only)</small> <b>15</b> 15° (<13) <b>20</b> 20° (<10) <b>25</b> 25° (<10) <b>40</b> 40° (<10) <b>60</b> 60° (<13)  <b>20</b> 20° (<10) <b>25</b> 25° (<10) <b>40</b> 40° (<10) <b>60</b> 60° (<13)  <b>WW</b> Wallwash* <small>* (Required for WW &amp; AW fixture)</small>	<b>STANDARD MEDIA</b> <b>4</b> Soft Focus Lens (SFL)* <small>* (Required for 10° optic)</small> <b>ALTERNATE MEDIA</b> <b>0</b> No Lens* <small>* (Not available for Warm Dim or Wet Location)</small> <b>2</b> Honey Comb Louver (HCL)* <small>* (Not available for Warm Dim or Wet Location)</small> <b>3</b> Clear Glass Lens (CGL)* <small>* (Not available for Warm Dim)</small> <b>5</b> Frosted Glass Lens (FGL) <b>6</b> Frosted Soft Focus Lens (FSFL) <b>7</b> Frosted Linear Spread Lens (FLSL) <b>C</b> Clear Glass Film w/ Honeycomb Louver <b>S</b> Soft Focus Film w/ Honeycomb Louver  <b>W</b> Wallwash Lens* <small>* (Required for WW and AW fixture)</small>	<b>INTEGRAL</b> <b>UCA</b> 0-10V Analog 120-277V <b>1CE</b> 120V Electronic Forward/Reverse  <b>REMOTE (120V) (11 &amp; 17 WATTS ONLY)</b> <b>1TR</b> Philips, 2% Forward/Reverse <b>1RE</b> Forward/Reverse  <b>REMOTE (120-277V)</b> <b>URA</b> 0-10V Analog* <small>* (11 &amp; 17 Watts only)</small> <b>ULH</b> Lutron Hi-Lume Ecosystem 1% Fade to Black <b>UAN</b> Philips Xitanium 1% 0-10V, LOG <b>ULN</b> Philips Xitanium 1% 0-10V, LIN <b>UEG</b> eldoLED, 0.1% 0-10V, LOG <b>UEN</b> eldoLED, 0.1% 0-10V, LIN <b>UED</b> eldoLED, 0.1% DALI-2, LOG <b>ULD</b> eldoLED, 0.1% DALI-2, LIN <b>UAS1/</b> Athena Control <b>UASR</b> EldoLED, 0.1% 120-277V* <b>UCS1/</b> Casambi Control <b>UCSR</b> EldoLED, 0.1% 120-277V* <small>* (Includes Node. Extended lead time, consult factory. UASR/UCSR includes shunt.)</small> <b>TUNABLE WHITE REMOTE (0.1%, 120-277V)</b> <b>UDD</b> eldoLED, DUALdrive DALI-2, LOG <b>UDG</b> eldoLED, DUALdrive 0-10V, LOG <b>UDN</b> eldoLED, DUALdrive 0-10V, LIN <b>UAD1/</b> Athena Control, UADR EldoLED, DUALdrive* <b>UCD1/</b> Casambi Control, UCDR EldoLED, DUALdrive* <small>* (Includes Node. Extended lead time, consult factory. UADR/UCDR includes shunt.)</small>	<b>ROUGH-IN</b> <b>JBMP</b> 4" Sq. or 4/0 Junction Box Mounting Plate  <b>FINISH OUT</b> <b>CMJB</b> *1/2" and 3/4" Conduit Ceiling Mount Junction Box* <small>* (Available in powdercoat finishes. Alumina finish fixtures ship with Black powdercoat CMJB. Dry/Damp rated.)</small> <b>SMK3</b> 3/0 Surface Mount Kit* <b>SMK4</b> 4/0 Surface Mount Kit* <small>* (Available in powdercoat finishes. Dry/Damp rated.)</small>

## PART NUMBER NOTES

- CY3X ships as e.g., CY3XAD1WHWH80S17A304041CE3
- Remote driver ships as e.g., PS-RMT-80S17A-1RE3
- Mounting part numbers listed on page 6



# CYLINDER 3 SURFACE MOUNT

## ACCESSORIES

### REPLACEMENT MEDIA

Dry / Damp location only, consult factory for wet location replacements

- SFL-CY3X-03** Soft Focus Lens
- HCL-CY3X-03** Honeycomb Louver \*

\*(Not available for Warm Dim)

- CGL-CY3X-03** Clear Glass Lens \*

\*(Not available for Warm Dim)

- FGL-CY3X-03** Frosted Glass Lens
- FSFL-CY3X-03** Frosted Soft Focus Lens
- FLSL-CY3X-03** Frosted Linear Spread Lens
- CGL-HCL-CY3X-03** Clear Glass Film W/ Honeycomb Louver
- SFL-HCL-CY3X-03** Soft Focus Film W/ Honeycomb Louver

### STATIC WHITE REPLACEMENT OPTICS

- RO-70-15-S** 15° optic
- RO-70-20-S** 20° optic
- RO-70-25-S** 25° optic
- RO-70-40-S** 40° optic
- RO-70-60-S** 60° optic

### WARM DIM REPLACEMENT OPTICS

- RO-70-20-W** 20° optic
- RO-70-25-W** 25° optic
- RO-70-40-W** 40° optic
- RO-70-60-W** 60° optic

### TUNABLE WHITE REPLACEMENT OPTICS

- RO-70-15-T** 15° optic
- RO-70-20-T** 20° optic
- RO-70-25-T** 25° optic
- RO-70-40-T** 40° optic
- RO-70-60-T** 60° optic

### SUCTION CUP TOOL

- CYX-TOOL-SUCTION** Baffle removal tool, provided with every 5 fixtures

### EMERGENCY LIGHTING - REMOTE MOUNT ONLY

During disruption of main power, emergency battery inverter provides temporary 120V or 277V to fixture.

- EMB-S-25-120/277-LEDX** 25 watt max capacity, 120 or 277 VAC 60Hz
- EMB-S-100-120-LEDX** 100 watt max capacity, 120 VAC 60Hz, 0-10V dimmable
- EMB-S-100-277-LEDX** 100 watt max capacity, 277 VAC 60Hz, 0-10V dimmable
- EMB-S-250-120/277-LEDX** 250 watt max capacity, 120 or 277 VAC 60Hz

**\*SHUNT REQUIRED FOR USE WITH ATHENA AND CASAMBI CONTROLS, CONSULT FACTORY FOR DETAILS.**

## POWDERCOAT FINISHES



## ALUMINA FINISHES BY LUCIFER LIGHTING™



# CYLINDER 3 SURFACE MOUNT

## WALLWASH DESIGN GUIDE



### 10° TILT

#### 30" SETBACK / 30" ON CENTER SPACING

- 10FT CEILING SHOWN / 8-12FT IDEAL
- AVERAGE FC: 59.81
- MAX / MIN: 6.11
- 9 FIXTURES / 25FT WALL SHOWN

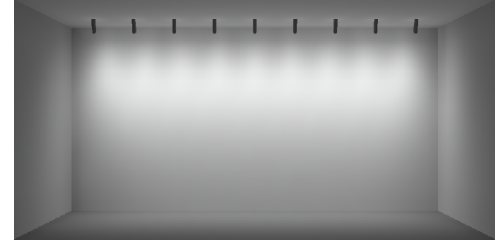


### RECOMMENDED

### 15° TILT

#### 36" SETBACK / 36" ON CENTER SPACING

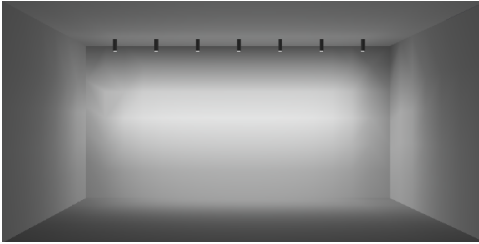
- 10FT CEILING SHOWN / 8-12FT IDEAL
- AVERAGE FC: 52.90
- MAX / MIN: 5.47
- 9 FIXTURES / 30FT WALL SHOWN



### 20° TILT

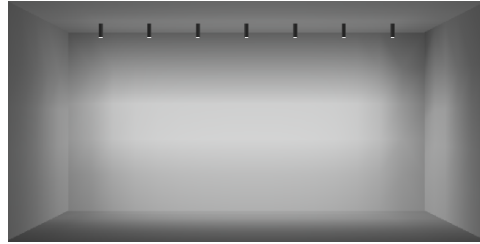
#### 42" SETBACK / 42" ON CENTER SPACING

- 10FT CEILING SHOWN / 8-12FT IDEAL
- AVERAGE FC: 47.58
- MAX / MIN: 5.10
- 9 FIXTURES / 35FT WALL SHOWN



#### 30" SETBACK / 42" ON CENTER SPACING

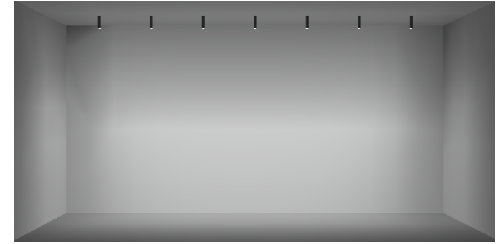
- 10FT CEILING SHOWN / 8-12FT IDEAL
- AVERAGE FC: 38.76
- MAX / MIN: 6.49
- 9 FIXTURES / 25FT WALL SHOWN



### RECOMMENDED

#### 36" SETBACK / 48" ON CENTER SPACING

- 10FT CEILING SHOWN / 8-12FT IDEAL
- AVERAGE FC: 31.26
- MAX / MIN: 6.32
- 9 FIXTURES / 30FT WALL SHOWN



#### 42" SETBACK / 54" ON CENTER SPACING

- 10FT CEILING SHOWN / 8-12FT IDEAL
- AVERAGE FC: 25.34
- MAX / MIN: 6.22
- 9 FIXTURES / 35FT WALL SHOWN

## ADDITIONAL SETBACKS AND SPACINGS

ON CENTER SPACING	SETBACK / TILT			ON CENTER SPACING	SETBACK		
	30" / 10°	36" / 15°	42" / 20°		30"	36"	42"
30"	SHOWN ABOVE	AVERAGE FC: 61.83 MAX / MIN: 5.46	AVERAGE FC: 63.70 MAX / MIN: 5.22	42"	SHOWN ABOVE	AVERAGE FC: 34.94 MAX / MIN: 6.44	AVERAGE FC: 31.32 MAX / MIN: 6.35
36"	AVERAGE FC: 51.17 MAX / MIN: 6.25	SHOWN ABOVE	AVERAGE FC: 54.57 MAX / MIN: 5.10	48"	AVERAGE FC: 34.66 MAX / MIN: 6.34	SHOWN ABOVE	AVERAGE FC: 28.02 MAX / MIN: 6.22
42"	AVERAGE FC: 44.58 MAX / MIN: 6.55	AVERAGE FC: 46.13 MAX / MIN: 5.63	SHOWN ABOVE	54"	AVERAGE FC: 31.32 MAX / MIN: 6.57	AVERAGE FC: 28.22 MAX / MIN: 6.36	SHOWN ABOVE

**\*ALL DATA REFLECTS 90S17B WATTAGE PACKAGE**

# CYLINDER 3 SURFACE MOUNT

## STATIC WHITE PERFORMANCE - 3000K

LUMEN PACKAGE	WATTAGE	10° OPTIC FIELD REDUCER		15° OPTIC SOFT FOCUS LENS		20° OPTIC SOFT FOCUS LENS		25° OPTIC SOFT FOCUS LENS		40° OPTIC SOFT FOCUS LENS		60° OPTIC SOFT FOCUS LENS		WALLWASH WALLWASH LENS		ADJ. WALLWASH WALLWASH LENS	
		DLVD	LPW	DLVD	LPW	DLVD	LPW	DLVD	LPW	DLVD	LPW	DLVD	LPW	DLVD	LPW	DLVD	LPW
80S11B	11	-	-	1169	106	1240	112	1243	112	1185	107	1156	105	979	89	1137	103
80S17B/C	17	819	48	1171	104	1943	114	1931	113	1858	109	1801	105	1509	88	1783	104
80S23B	23	-	-	2301	100	2559	111	2541	110	2409	104	2373	103	2039	88	2312	100
80S32B	32	-	-	2913	91	3372	105	3339	104	3170	99	3111	97	2641	82	3042	95
80S38B	38	-	-	3226	84	3932	103	3856	101	3680	96	3614	95	3072	80	3531	92
90S11B	11	-	-	1008	91	1060	96	1062	96	1013	92	988	89	837	76	972	88
90S17B/C	17	706	42	1527	89	1661	97	1650	97	1588	93	1539	90	1290	75	1524	89
90S23B	23	-	-	1984	86	2187	95	2172	94	2059	89	2028	88	1743	75	1976	85
90S32B	32	-	-	2511	78	2882	90	2854	89	2709	84	2659	83	2257	70	2600	81
90S38B	38	-	-	2781	73	3361	88	3296	86	3121	82	3089	81	2626	69	3018	79
97S11B	11	-	-	887	80	975	88	977	88	932	84	909	82	770	70	894	81
97S17B/C	17	609	36	1344	79	1528	89	1518	89	1461	85	1416	83	1187	69	1402	82
97S23B	23	-	-	1746	75	2012	87	1998	86	1894	82	1866	81	1604	69	1818	79
97S32B	32	-	-	2210	69	2651	82	2626	82	2492	77	2446	76	2076	64	2392	74
97S38B	38	-	-	2447	64	3092	81	3032	79	2893	76	2842	74	2416	63	2777	73
90W24BL (2700K-1800K)	24	-	-	-	-	1642	71	1626	70	1556	67	1491	64	1340	58	1570	68
90W24BD (3000K-1800K)	24	-	-	-	-	1777	77	1742	75	1685	73	1600	69	1422	61	1668	72
90T32BTR (4000K-1800K)	32	-	-	2251	70	2325	72	2319	72	2359	73	2352	73	2072	64	2520	78
90T32BTH (5000K-2700K)	32	-	-	2458	76	2580	80	2533	79	2394	74	2291	71	2085	65	2401	75

### MEDIA LIGHT LOSS FACTOR

MEDIA	LIGHT LOSS FACTOR
No Lens	1.07
CGL	0.99
SFL	1.00
FGL	0.88
FSFL	0.91
FLSL	0.81
HCL	0.71
SFL+HCL	0.66

### OUTPUT MULTIPLIER

CCT	CCT SCALE
2400K	0.76
2700K	0.957
3000K	1.000
3500K	1.019
4000K	1.030

### TUNABLE WHITE MULTIPLIER

CCT	5000K-2700K	4000K-1800K
5000K	1.16	-
4000K	1.08	1.14
3500K	1.04	1.07
3000K	1.00	1.00
2700K	0.96	0.92
2400K	-	0.84
1800K	-	0.69



### JA8-2022 INDICATED BY SHADING

### UNIFIED GLARE RATING

10° OPTIC FIELD REDUCER	15° OPTIC SOFT FOCUS LENS	20° OPTIC SOFT FOCUS LENS	25° OPTIC SOFT FOCUS LENS	40° OPTIC SOFT FOCUS LENS	60° OPTIC SOFT FOCUS LENS	WALLWASH WALLWASH LENS
<10	<13	<10	<10	<10	<13	>19

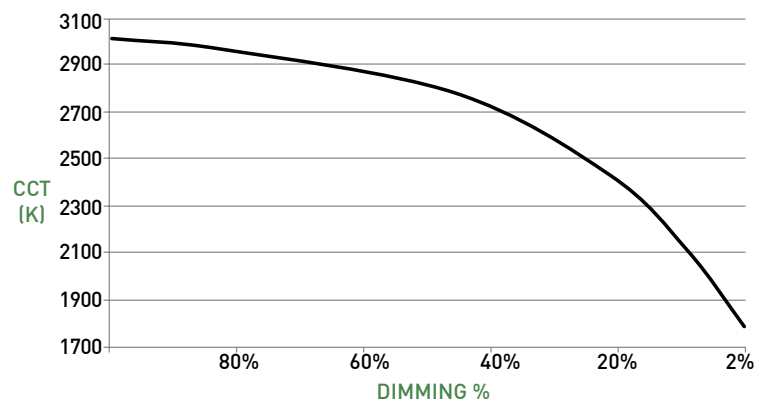
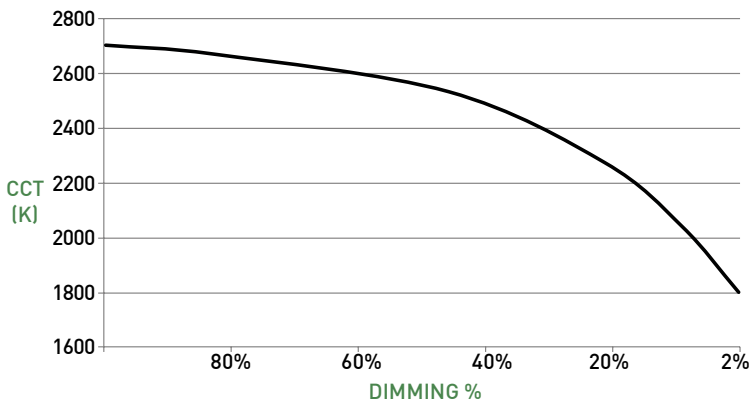
## WARM DIM PERFORMANCE - SOFT FOCUS LENS - 20° OPTIC

### INCANDESCENT DIMMING PROFILE

90W24BL 2700K - 1800K	Full on 100%	Dimmed to 80%	Dimmed to 70%	Dimmed to 50%	Dimmed to 20%	Dimmed to 10%	Dimmed to 2%
CCT (K)	2700	2650	2620	2520	2180	1950	1800
Light Output (Lm)	1642	1314	1149	821	328	164	33
Power (W)	24	18	16	12	5	2.3	0.5
Efficacy (LPW)	71	71	71	71	71	71	71

### HALOGEN DIMMING PROFILE

90W24BD 3000K - 1800K	Full on 100%	Dimmed to 80%	Dimmed to 70%	Dimmed to 50%	Dimmed to 20%	Dimmed to 10%	Dimmed to 2%
CCT (K)	3000	2950	2920	2775	2375	2000	1800
Light Output (Lm)	1777	1422	1244	889	355	178	36
Power (W)	24	18	16	12	5	2.3	0.5
Efficacy (LPW)	74	74	74	74	74	74	74



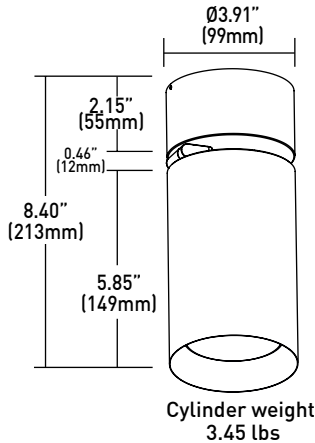
# CYLINDER 3 SURFACE MOUNT

## CYLINDER ASSEMBLY

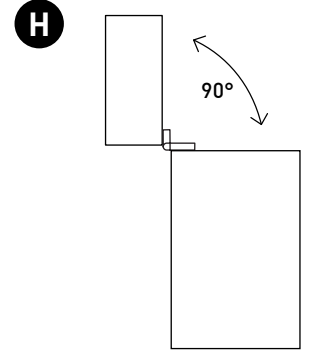
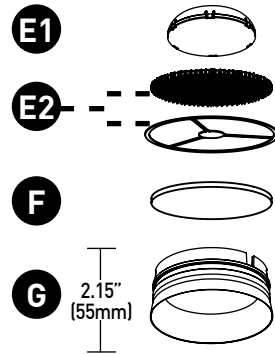
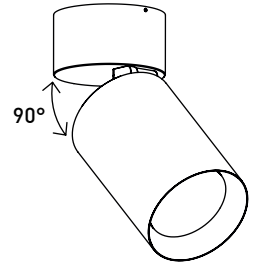
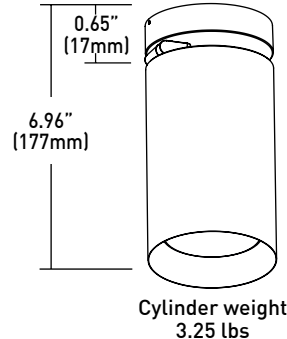
- A ADJUSTABLE - STANDARD CANOPY**  
Die-cast canopy accommodates flat and sloped ceiling conditions. Conceals hidden mounting hardware. "AD" (90° tilt, 365° rotation) canopy features 2.15" (55mm) tall canopy. Available with integral or remote driver.
- B ADJUSTABLE - SHALLOW CANOPY**  
Die-cast canopy accommodates flat and slope ceiling conditions. Conceals hidden mounting hardware. "AS" (90° tilt, 365° rotation) canopy features 0.65" (17mm) tall canopy, reducing overall height. Requires remote power supply.
- C FIXED BODY**  
Body with integrated heat sink and LED. Conceals mounting hardware. Power supply may be integral or remote mount.
- D WALLWASH FIXED BODY**
- E1 OPTICS**  
Robust light engine with optimized optic pairing integrates Reflection, Refraction, and TIR offering 10°, 15°, 20°, 25°, 40° & 60° beams.
- E2 10° FIELD REDUCER**  
Included with 10° optic. Reduces field angle by 16%
- F MEDIA**  
Cylinder accepts 2 lenses; soft focus lens, no lens or wallwash lens standard. Sealed in place for Wet locations.
- G BAFFLE**  
Die-cast baffle minimizes aperture glare and conceals view into fixture.
- H WALL-MOUNT**  
Cylinder may be wall mounted using any mounting option.

## DIMENSIONS / DRAWINGS

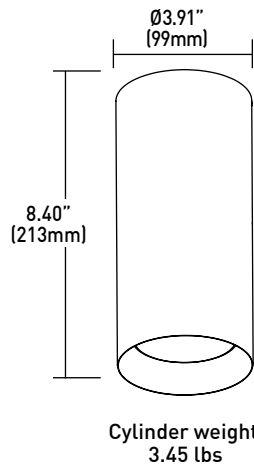
### A ADJUSTABLE BODY STANDARD CANOPY



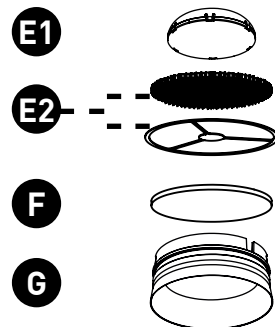
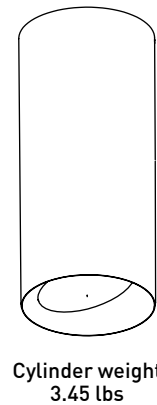
### B ADJUSTABLE BODY SHALLOW CANOPY



### C FIXED BODY



### D WALLWASH FIXED BODY

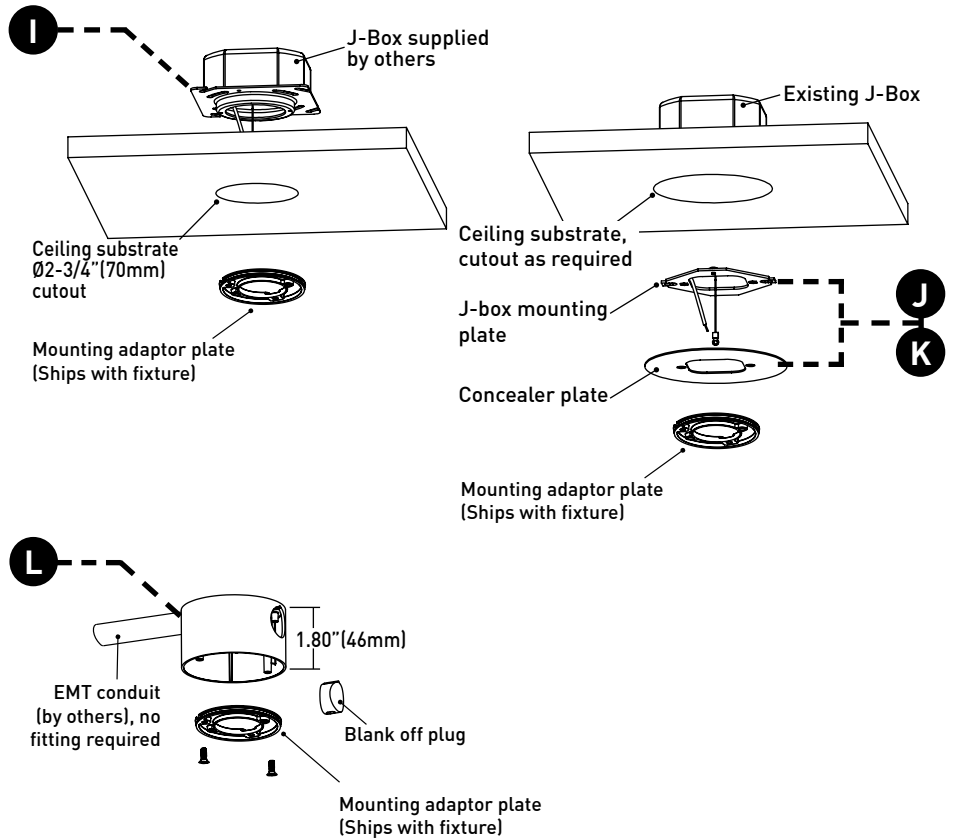


# CYLINDER 3 SURFACE MOUNT

## MOUNTING

- I JBMP**  
Mounting plate (concealed) for standard 4" square or 4" 4/0 j-box. To be installed during rough-in prior to substrate. Fixture to mount flush with minimalist transition to ceiling.  
Part Number - CY3X-JBMP
- J SMK3**  
Surface mount kit includes mounting plate and 4" concealer plate that installs between fixture and standard 3" 3/0 j-box for existing applications where standard j-box cutout is to be concealed.  
Part Number - CY3X-SMK-3/0-(FINISH)
- K SMK4**  
Surface mount kit includes mounting plate and 5" concealer plate that installs between fixture and standard 4" 4/0 j-box for existing applications where standard j-box cutout is to be concealed.  
Part Number - CY3X-SMK-4/0-(FINISH)
- L CMJB**  
Ceiling mount junction box perfectly matches the cylinder profile for a continuous, integrated look where exposed ceiling mount junction box and conduit applications apply. For use with 1/2" and 3/4" EMT conduit only. Features two conduit entrances on either side and one conduit knockout on top of j-box. J-box is IP10 rated; painted finishes only. Blank off plugs included.  
Part Number - CY3X-CMJB-(FINISH)

## DIMENSIONS / DRAWINGS

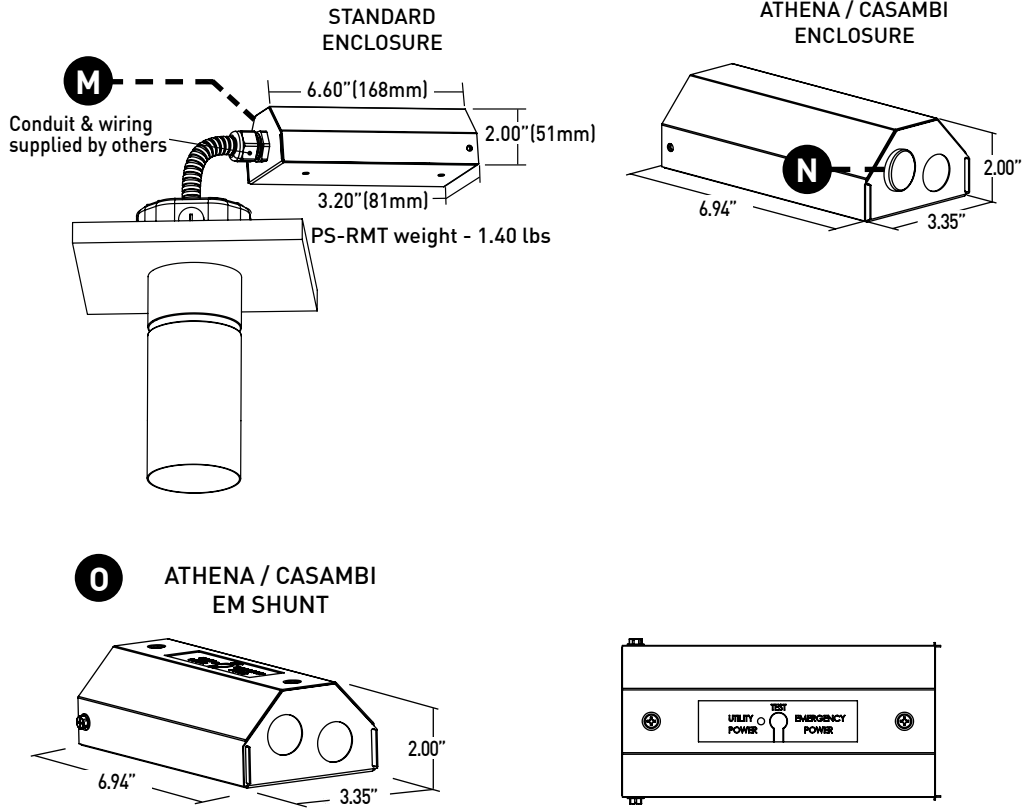


## MOUNTING NOTES

- CY3X-JBMP and CY3X-SMK-3/0 & 4/0 not recommended for use with pancake style j-box.

## REMOTE POWER SUPPLY

- M PS-RMT**  
Remote power supply must be mounted in accessible area. Mounting device still required. Consult page 8 for dimming compatibility list. Consult install guide for complete details of suitable controls, wiring diagrams, and maximum allowable secondary run lengths between PS-RMT and cylinder.
- N ATHENA / CASAMBI CONTROL**  
Controls integrated into remote driver assembly. All equipment is serviceable  
Athena Model Number: A-WN-D01-RF-BL & DC-OEM-DBI  
Casambi Model Number: BT-S1E1-5400
- O ATHENA / CASAMBI EM SHUNT**  
Included with drivers specified as ASR, ADR, CSR, or CDR. One required for each wireless EM fixture, requires class 2 control wiring between fixture and shunt. Features integrated test switch.  
Model Number: PS-RMT-SHUNT



# CYLINDER 3 SURFACE MOUNT

## TECHNICAL

### CONSTRUCTION

**Cylinder:** Die-cast aluminum body with integrated heat sink; painted finishes are granulated powder coat. Alumina finishes are anodized aluminum.

**CMJB:** Die-cast aluminum body; painted finishes are granulated powder coat.

**Remote Power Supply:** 22 Gauge galvanized steel.

### STATIC WHITE LED

2-step MacAdam ellipse LED module available in 80+, 90+ and 95+ CRI configurations in color temperatures of 2700K, 3000K, 3500K and 4000K. 3-step MacAdam ellipse LED module available in 90+ CRI configuration in color temperature of 2400K. Average rated lamp life: 50,000 hours. LED and driver assemblies are field-replaceable.

### WARM DIM LED

3-step MacAdam ellipse warm dim LED module available in 90+ CRI configuration. 3000K or 2700K at full brightness, warming to 1800K at full dim. Average rated lamp life of 50,000 hours. LED and driver assemblies are field-replaceable.

### TUNABLE WHITE LED

3-step MacAdam ellipse tunable white LED module available in 90+ CRI configuration. Features tuning range of 2700K to 5000K and 1800K to 4000K. Average rated lamp life of 50,000 hours. Driver assemblies are field-replaceable.

### POWER SUPPLY PERFORMANCE AND DIMMING INFORMATION

Power Supply	PHASE		0-10V							ECO	DALI			ATHENA	CASAMBI
	1CE/1RE	1TR	UCA/URA	UAN	ULN	UEG	UEN	UDG	UDN	ULH	UED	ULD	UDD	UAS/UAD	UCS/UCD
Minimum °C	-20 °C	-20 °C	-20 °C	-20 °C	-20 °C	-20 °C	-20 °C	-20 °C	-20 °C	0 °C	-20 °C	-20 °C	-20 °C	0 °C	-20 °C
Maximum °C	40 °C	40 °C	40 °C	40 °C	40 °C	40 °C	40 °C	40 °C	40 °C	40 °C	40 °C	40 °C	40 °C	40 °C	40 °C
Dimming %	1.0%	2.0%	1.0%	1.0%	1.0%	0.1%	0.1%	0.1%	0.1%	1.0%	0.1%	0.1%	0.1%	0.1%	

Note: For 1TR, ULH, UAN, ULN, UEG and UEN drivers consult chart on page 8 to confirm appropriate dimming curve for compatibility with selected control.

### MAXIMUM ALLOWABLE REMOTE DRIVER WIRING DISTANCES

DRIVER	WIRE AWG				
	12	14	16	18	20
URA, 1RE	-	164'	105'	66'	40'
1TR, UAN, ULN	285'	180'	113'	71'	45'
ULH	60'	40'	25'	15'	-
UEG, UEN, UED, ULD, DD1, DG1, DN1, UAS, UCS, UAD, UCD	-	-	118'	72'	46'

### WALLWASH SPACING AND TILT

Adjustable Wallwash Cylinder must be tilted to achieve wallwashing effect. Recommended adjustable spacing is 36" (914mm) on center with 36" (914mm) setback from wall plane with 15° tilt. Recommended fixed spacing is 36" (914mm) on center spacing with 48" (1219mm) setback from wall plane.

### MOUNTING

Cylinder is supplied with a mounting adaptor plate, which integrates with required additional mounting accessories specified separately according to field application conditions, providing a minimalist transition from standard 4/0 or 4" square junction boxes and accommodating ceiling thicknesses of 0.44" (12mm) to 0.75" (19mm). Ceiling-mount junction box available for 1/2" (13mm) and 3/4" (19mm) conduit and feature concealed internal clamps for clean fitting-free conduit exit and entry.

### LISTING

cTUVus listed to UL1598 standard for Dry / Damp (IP30) and Wet (IP65) location. Title 24 JA8-2022 Listed. NEMA 410 Compliant. Buy American Act compliant.

### DECLARE

LBC Red List Approved

### WARRANTY

Manufacturer's 1-year warranty guarantees product(s) listed to be free from defects in material and workmanship under normal use and service. 5-year warranty on LED and power supply to operate with 70% of the original flux and remain within a range of 3 duv. 10-year Lutron Advantage limited warranty available on Lutron equipped systems. Warranty period begins from the date of shipment by Seller. Consult [website](#) for full warranty terms and conditions.

### CHANGE LOG

1. 03/15/2024: ADDED 10 DEGREE FIELD REDUCER, UPDATED 10 DEGREE PERFORMANCE DATA.

2. 07/22/2024: REMOVED L2 DRIVER.



# CYLINDER 3 SURFACE MOUNT

## DIMMING COMPATIBILITY

### PHILIPS DRIVER COMPATIBILITY

Power supply 1TR Manufacturer	Family/Model #
Lutron Electronics	DV-600P
Lutron Electronics	DVELV-303P
Lutron Electronics	NTELV-600
Lutron Electronics	MAELV-600
Lutron Electronics	SELV-300P
Lutron Electronics	DVLV-600P
Lutron Electronics	NFTU-5A
Lutron Electronics	CTCL-153P
Lutron Electronics	GL-600H
Lutron Electronics	S-600P
Lutron Electronics	PHPM
Power supply UAN / ULN Manufacturer	Family/Model #
Lutron Electronics	DVTV plus PP-DV
Lutron Electronics	DVSCTV plus PP-DV
Lutron Electronics	DVSTV
Lutron Electronics	DVSCSTV
Lutron Electronics	QSGRJ-XP plus GRX-TVI
Lutron Electronics	QSGRJ-XE plus GRX-TVI
Lutron Electronics	QSGR-XE plus GRX-TVI
Lutron Electronics	NFTV plus PP-DV
Lutron Electronics	NTSTV
Lutron Electronics	RMJ-5T
Lutron Electronics	RMJS-8T
Lutron Electronics	FCJS-010
Leviton	IllumaTch IP7 series
Philips	Sunrise - SR1200ZTUNV

### LUTRON DRIVER COMPATIBILITY

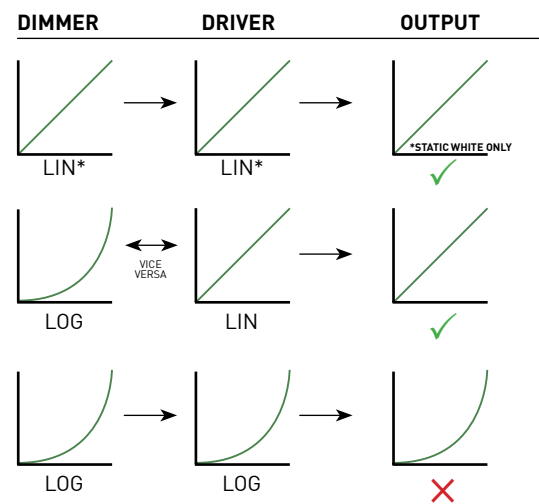
Power supply ULH Lutron Product Family	Part No.
PowPak Dimming Modules	RMJ-ECO32-DV-B
PowPak Dimming Modules	FCJ/FCJS-ECO
Energi Savr Nodes	QSN-1ECO-S
GRAFIK Eye QS control unit	QSN-2ECO-S
Homeworks QS control unit	QSN-2ECO-S
GRAFIK Eye QS control unit	QSGRJ-_E (wireless)
Homeworks QS control unit	QSGR-_E
Quantum Hub	QP2-_ _ 2C
Quantum Hub	QP2-_ _ 4C
Quantum Hub	QP2-_ _ 6C
Quantum Hub	QP2-_ _ 8C
Homeworks QS power module	LQSE-2ECO-D
myRoom Plus power module	LQSE-2ECO-D



### eldoLED DRIVER COMPATIBILITY

Power supply UEG / UEN Dimmer / Switch Control Manufacturer	Family/Model #
Busch-Jaeger	2112U-101
Jung	240-10
Leviton Lighting Controls	IP710-DLX
Lightolier Controls	ZP600FAM120
Lutron Electronics	Nova T® - NTFTV
Lutron Electronics	Dival® - DVTV
Lutron Electronics	Nova® - NFTV
Merten	5729
Pass & Seymour	CD4FB-W
The Watt Stopper	DCLV1
Sensor Switch	nIO EZ
Synergy	ISD BC
Power supply UEG / UEN Lighting Control Systems Manufacturer	Family/Model #
Lutron Electronics	GrafixEye® GRX-TVI w GRX3503
Lutron Electronics	Energy Savr Node™ - QSN-4T16-S
Lutron Electronics	TVM2 Module
Crestron®	GLX-DIMFLV8
Crestron®	GLXP-DIMFLV8
Crestron®	GLPAC-DIMFLV4-*
Crestron®	GLPAC-DIMFLV8-*
Crestron®	GLPP-DIMFLVEX-PM
Crestron®	GLPP-1DIMFLV2EX-PM
Crestron®	GLPP-1DIMFLV3EX-PM
Crestron®	DIN-A08
Crestron®	DIN-4DIMFLV4
Crestron®	CLS-EXP-DIMFLV
Crestron®	CLCI-1DIMFLV2EX
ABB	SD/S 2.16.1

## ANALOG DRIVERS AND DIMMERS



LIN = LINEAR  
 LOG = LOGARITHMIC  
 \*LIN-TO-LIN NOT COMPATIBLE FOR WARM DIM