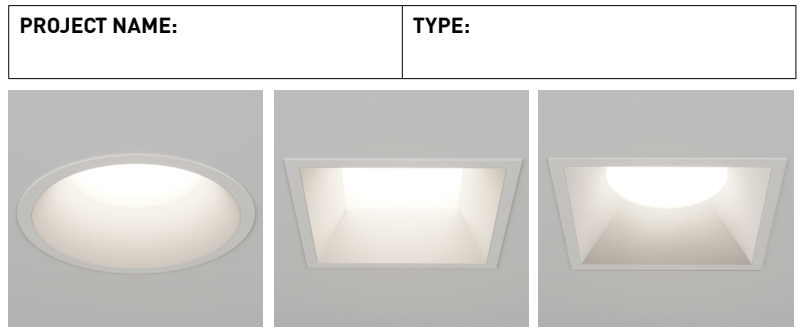


# FRAXION®4 REMODEL

## SHALLOW REGRESS

- Max output of 2271lm at 80+ CRI
- Baffle options in round and square featuring UGR as low as 11.4
- Integral drivers for tunable white with our 2 ranges, 1800K to 4000K and 2700K to 5000K
- Now available for concrete pour applications



### ORDERING INFORMATION - FIXTURE

SHAPE	RATING	TYPE	FINISH	BAFFLE FINISH	CRI	WATTAGE	CCT	OPTIC (UGR)	MEDIA	INSTALL TYPE	CEILING THICKNESS	DRIVER
F4RS Round Shallow Regress	1 IP20 Dry/Damp	A Adjustable	POWDERCOAT MICROFLANGE	POWDERCOAT	STATIC WHITE	24 2400K*	10 10° (<10)	10 10° (<10)	STANDARD MEDIA	REMODEL	1 0.25" -1.50"	REMODEL
F4SS Square Shallow Regress	2 IP64 Wet* *(Suction cup provided for aim and focus)	F Fixed W Wall-wash	WH White AB Architectural Bronze AG Satin Silver	AB Architectural Bronze AG Satin Silver AU Cashmere Gold BB Burnt Bronze BK Black PR Primer CF Custom Finish* *(Consult Factory)	80S 80+ 90S 90+ 97S 97+	11A 11W - 1351 Lm 15A 15W - 1681 Lm 15C 15W - 1389 Lm* *(For use with 10° optic only) 21A 21W - 2271 Lm	27 2700K 30 3000K 35 3500K 40 4000K	15 15° (<16) 20 20° (<13) 25 25° (<13) 40 40° (<13) 60 60° (<13) 85 85°* (>19) *(Requires -7 WDL effects device)	04 Soft Focus Lens* *(Required for 10° Optic) WW Wallwash Lens* *(Required for Wallwash)	RM Remodel RR Remote Driver Remodel		PH1 Forward / Reverse Phase, 2%, 120V SG3 eldoLED, ECOdrive 1%, 0-10V, LOG, 120V-277V SN3 eldoLED, ECOdrive 1%, 0-10V, LIN, 120V-277V EG1 eldoLED, SOLOdrive 0.1% 0-10V, LOG, 120V-277V EN1 eldoLED, SOLOdrive 0.1% 0-10V, LIN, 120V-277V ED1 eldoLED, SOLOdrive 0.1% DALI-2, LOG, 120V-277V LP1 Lutron, Hi-Lume Premier Ecosystem 0.1% Fade to Black, 120V or 277V* *(Not available for 21W in KC install types)
F4TS Square Transitional Shallow Regress* *(Not available for wallwash)			TRIMLESS TG Trimless Gypsum 1/16" TM Trimless Millwork* *(Not available for Pre-cast concrete installations)	BB Burnt Bronze BK Black PR Primer CF Custom Finish* *(Consult Factory)		WARM DIM 90W 90+ 15A 15W Incandescent Profile: 2700K - 1800K 1022 Lm Halogen Profile: 3000K - 1800K 1023 Lm SEE PAGE 4 FOR DETAILED WARM DIM PROFILE COMPARISON.	WL 2700K -1800K WD 3000K -1800K	20 20° (<10) 25 25° (<10) 40 40° (<10) 60 60° (<13) 85 85°* (>19) *(Requires -7 WDL effects device)	ALTERNATE MEDIA 01 Honeycomb Louver* *(Not available for IP64 Wet Location, Adjustable Fixtures, or Warm Dim) 02 Clear Glass Lens* *(Not available for Warm Dim) 03 Frosted Glass Lens 05 Frosted Soft Focus Lens 06 Frosted Linear Spread Lens 07 Wide Distribution Lens* *(Required and only available for 85° optic) HS Adjustable Honeycomb Louver and Soft Focus Lens* *(Not available for IP64 Wet Location, 21W or 22W, Fixed Fixtures, or Warm Dim) NL No Lens* *(Not available for IP64 Wet Location, or Warm Dim)	KC Integral Driver* *(Not available for Athena and Casambi wireless controls) KR Remote Driver		AS1 / ASR Athena Control eldoLED, SOLOdrive 0.1%, 120V-277V* *(Includes Athena Node. Extended lead time, consult factory. ASR includes shunt) CS1 / CSR Casambi Control eldoLED, SOLOdrive 0.1%, 120V-277V* *(Includes Casambi Node. Extended lead time, consult factory. CSR includes shunt) TUNABLE WHITE REMOTE (120-277V) DG1 eldoLED, DUALdrive 0.1% 0-10V, LOG DN1 eldoLED, DUALdrive 0.1% 0-10V, LIN DD2 eldoLED, DUALdrive 0.1% DALI-2 D18, LOG AD1 / Athena Control ADR eldoLED, DUALdrive 0.1%* *(Includes Athena Node. Extended lead time, consult factory. ADR includes shunt) CD1 / Casambi Control CDR eldoLED, DUALdrive 0.1%* *(Includes Casambi Node. Extended lead time, consult factory. CDR includes shunt)
			(WH) White Powder Coat (AB) Architectural Bronze Powder Coat (AG) Satin Silver Powder Coat (AU) Cashmere Gold Powder Coat (BB) Burnt Bronze Powder Coat (BK) Black Powder Coat			LUMEN DELIVERED OUTPUTS REFLECT 80+ CRI / 3000K PAIRED WITH 25° OPTIC AND SOFT FOCUS LENS						

### PART NUMBER NOTES

- Fixture as e.g., F4RS1AMWHBK90S21A30404RM1PH1



# FRAXION4 REMODEL SHALLOW REGRESS

## ACCESSORIES

### ROUND / TRANSITIONAL ALTERNATE MEDIA

Dry/Damp location only.  
Wet location requires alternate baffle.

- CGL-F4R** Clear Glass Lens\*  
\*(Not available for Warm Dim)
- FGL-F4R** Frosted Glass Lens
- SFL-F4R** Soft Focus Lens
- FSFL-F4R** Frosted Soft Focus Lens
- WDL-F4R** Wide Distribution Lens\*  
\*(Required and only available for 85° beam spread)
- FLSL-F4R** Frosted Linear Spread Lens

### SQUARE ALTERNATE MEDIA

Dry/Damp location only.  
Wet location requires alternate baffle.

- CGL-F4S** Clear Glass Lens\*  
\*(Not available for Warm Dim)
- FGL-F4S** Frosted Glass Lens
- SFL-F4S** Soft Focus Lens
- FSFL-F4S** Frosted Soft Focus Lens
- WDL-F4S** Wide Distribution Lens\*  
\*(Required and only available for 85° beam spread)
- FLSL-F4S** Frosted Linear Spread Lens

### ADJUSTABLE HCL ASSEMBLY

Dry / Damp location only.

- OLR-F4RS1-SFL-HCL** Adjustable Honeycomb Louver and Soft Focus Lens\*  
\*(Not available for IP64 Wet Location, 21W or 22W, Fixed Fixtures, or Warm Dim)

### REPLACEMENT BAFFLE ASSEMBLY (INCLUDES MEDIA)

ASSEMBLY	SHAPE	TYPE	RATING	FINISH	MEDIA
<b>RBA</b>					
REPLACEMENT BAFFLE ASSEMBLY	F4RS Round Shallow Regress F4SS Square Shallow Regress F4TS Square Transitional Shallow Regress	AF Adjustable / Fixed WW Wallwash	1 IP20 Dry/Damp 2 IP64 Wet* *(Requires provided suction cup to service or aim & focus)	WH White AB Architectural Bronze AG Satin Silver AU Cashmere Gold BB Burnt Bronze BK Black PR Primer CF Custom Finish* *(Consult Factory)	04 Soft Focus Lens* *(Required for 10° optic) WW Wallwash Lens* *(Required for wallwash) 01 Honeycomb Louver* *(Not available for IP64 Wet Location, adjustable fixtures, or Warm Dim) 02 Clear Glass Lens* *(Not available for Warm Dim) 03 Frosted Glass Lens 05 Frosted Soft Focus Lens 06 Frosted Linear Spread Lens 07 Wide Distribution Lens* *(Required and only available for 85° optic) NL No Lens* *(Not available for IP64 Wet Location, or Warm Dim)

### REPLACEMENT OPTICS

Interchangeable optics accessible through fixture aperture.

#### STATIC WHITE

- RO-70-15-S** 15° optic
- RO-70-20-S** 20° optic
- RO-70-25-S** 25° optic
- RO-70-40-S** 40° optic
- RO-70-60-S** 60° optic
- RO-70-WW-S** Wallwash Optic

#### WARM DIM

- RO-70-20-W** 20° optic
- RO-70-25-W** 25° optic
- RO-70-40-W** 40° optic
- RO-70-60-W** 60° optic
- RO-70-WW-W** Wallwash Optic

#### TUNABLE WHITE

- RO-70-15-T** 15° optic
- RO-70-20-T** 20° optic
- RO-70-25-T** 25° optic
- RO-70-40-T** 40° optic
- RO-70-60-T** 60° optic
- RO-70-WW-T** Wallwash optic

### REPLACEMENT SUCTION TOOL

One included with every six fixtures designated Wet location.

- F4-TOOL-SUCTION** Allows for removal of baffle with Wet location

### EMERGENCY LIGHTING - REMOTE MOUNT ONLY

During disruption of main power, emergency battery inverter provides temporary 120V or 277V to fixture.

- EMB-S-25-120/277-LEDX** 25 watt max capacity, 120 or 277 VAC 60Hz, Non-Dimmable
- EMB-S-100-120-LEDX** 100 watt max capacity, 120 VAC 60Hz, 0-10V Dimmable
- EMB-S-100-277-LEDX** 100 watt max capacity, 277 VAC 60Hz, 0-10V Dimmable
- EMB-S-250-120/277-LEDX** 250 watt max capacity, 120 or 277 VAC 60Hz, 0-10V Dimmable

**\*SHUNT REQUIRED FOR USE WITH ATHENA AND CASAMBI CONTROLS, CONSULT FACTORY FOR DETAILS.**

# FRAXION4 REMODEL SHALLOW REGRESS



PACKAGE	WATTS	10° OPTIC NO LENS		15° OPTIC SOFT FOCUS LENS		20° OPTIC SOFT FOCUS LENS		25° OPTIC SOFT FOCUS LENS		40° OPTIC SOFT FOCUS LENS		60° OPTIC SOFT FOCUS LENS		85° OPTIC WIDE DISTRIBUTION		WW OPTIC	
		DLVD.	LPW	DLVD.	LPW	DLVD.	LPW	DLVD.	LPW	DLVD.	LPW	DLVD.	LPW	DLVD.	LPW	DLVD.	LPW
80S11A	11	-	-	1194	109	1255	114	1351	123	1246	113	1122	102	961	87	868	79
80S15A	15	1389	126	1609	107	1689	113	1681	112	1612	107	1495	100	1296	86	1126	65
80S21A	21	-	-	2228	106	2264	108	2271	108	2179	104	2020	96	1762	84	1275	61
90S11A	11	-	-	1026	93	1078	98	1161	106	1070	97	964	88	826	75	746	68
90S15A	15	1197	109	1382	92	1451	97	1444	96	1385	92	1284	86	1113	74	967	64
90S21A	21	-	-	1914	91	1945	93	1951	93	1872	89	1735	83	1514	72	1095	52
97S11A	11	-	-	901	82	946	86	1019	93	939	85	846	77	725	66	655	60
97S15A	15	1033	94	1213	81	1274	85	1268	85	1216	81	1127	75	977	65	849	57
97S21A	21	-	-	1680	80	1708	81	1713	82	1644	78	1523	73	1329	63	961	46
90W15A (WL 27K-18K)	15	-	-	-	-	1055	70	1022	68	1001	67	949	63	851	57	771	51
90W15A (WD 30K-18K)	15	-	-	-	-	1056	70	1023	68	1007	67	957	64	858	57	794	53
90T15B (40K-18K)	15	-	-	1203	80	1267	84	1247	83	1191	79	1122	75	969	65	890	59
90T15B (50K-27K)	15	-	-	1192	79	1256	84	1236	82	1180	79	1112	74	960	64	882	59
90T22B (40K-18K)	22	-	-	1664	76	1752	80	1710	78	1651	75	1574	72	1351	61	1241	56
90T22B (50K-27K)	22	-	-	1649	75	1736	79	1695	77	1636	74	1560	71	1339	61	1230	59

### MAX UNIFIED GLARE RATING

10° OPTIC NO LENS	15° OPTIC SOFT FOCUS LENS	20° OPTIC SOFT FOCUS LENS	25° OPTIC SOFT FOCUS LENS	40° OPTIC SOFT FOCUS LENS	60° OPTIC SOFT FOCUS LENS	85° OPTIC WIDE DISTRIBUTION
<10	<16	<13	<13	<13	<13	>19

### OUTPUT MULTIPLIER

CCT	CCT SCALE
2400K	0.85
2700K	0.97
3000K	1.00
3500K	1.03
4000K	1.08

### MEDIA LIGHT LOSS FACTOR

MEDIA	LIGHT LOSS FACTOR
NO LENS	1.06
CGL	1.00
SFL	1.00
FGL	0.89
FSFL	0.81
FLSL	0.82
HCL	0.73

### TUNABLE WHITE MULTIPLIER

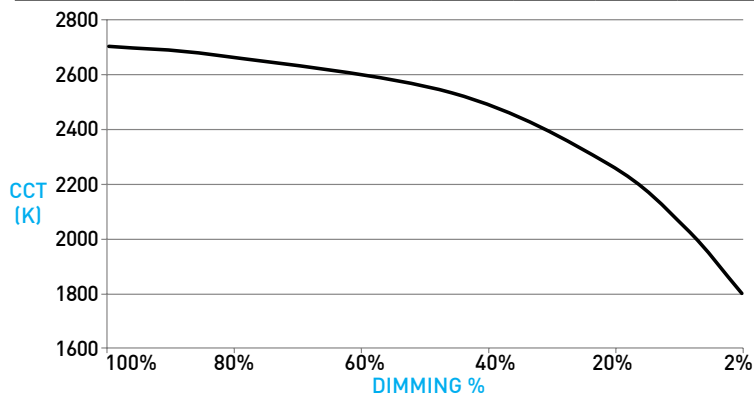
CCT	5000K- 2700K	4000K- 1800K
5000K	1.16	-
4000K	1.08	1.14
3500K	1.04	1.07
3000K	1.00	1.00
2700K	0.96	0.92
2400K	-	0.84
1800K	-	0.69

# FRACTION4 REMODEL SHALLOW REGRESS

## WARM DIM PERFORMANCE - 25° OPTIC - SOFT FOCUS LENS

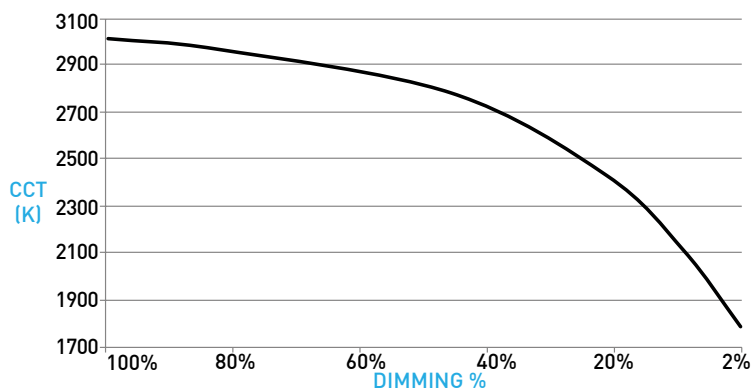
WARM DIM TO MIRROR INCANDESCENT DIMMING PROFILE

WL 2700K - 1800K	Full on 100%	Dimmed to 80%	Dimmed to 70%	Dimmed to 50%	Dimmed to 20%	Dimmed to 10%	Dimmed to 2%
CCT (K)	2700	2650	2620	2520	2180	1950	1800
Light Output (Lm)	1022	817	715	511	204	102	20
Power (W)	15	12	10.5	7.5	3	1.5	.3
Efficacy (LPW)	68	68	68	68	68	68	68



HALOGEN DIMMING PROFILE

WD 3000K - 1800K	Full on 100%	Dimmed to 80%	Dimmed to 70%	Dimmed to 50%	Dimmed to 20%	Dimmed to 10%	Dimmed to 2%
CCT (K)	3000	2950	2920	2775	2375	2000	1800
Light Output (Lm)	1023	818	716	511	204	102	20
Power (W)	15	12	10.5	7.5	3	1.5	.3
Efficacy (LPW)	68	68	68	68	68	68	68



# FRAXION4 REMODEL SHALLOW REGRESS

## DOWNLIGHT / HOUSING

### A ADJUSTABILITY

Hot-aim tilt up to 40° and 361° rotation with 5° tilt increment indicators. Sliding pivot point optimizes center beam, ensuring unclipped beam of 15° at 40° tilt and 25° at 30° tilt.

### B RETENTION

Integrated metal arm clamps located within fixture body allow discreet flange design, while accommodating varying ceiling thicknesses from 0.25" to 1.50". Snap-on spacer clips (2X) supplied for ceiling thickness below 0.50" only.

### C OPTIC

Robust light engine with optimized optic pairing integrates Reflection, Refraction, and TIR offering wallwash, 10°, 15°, 25°, 35°, & 50° beams.

### D 10° FIELD REDUCER

Included with 10° optic. Reduces field angle by 30%

### E ADJUSTABLE HCL ASSEMBLY

Honeycomb Louver and Soft Focus Lens attach directly to optic with clip-on lens retainer and adjusts with fixture. Only compatible with no lens baffle. Dry/Damp locations only. Specified as "HS" Effects Device

### F MICROFLANGE PROFILE

Provides industry standard 0.43" total contractor (goof) allowance with 0.27" flange. Thickness measures 1/16". IP64 Wet location features integral silicone gasket.

### G TRIMLESS GYPSUM PROFILE

Installs totally flush with the ceiling with no visible trim. Features integrated appliqué for plaster floating directly to the baffle. Not recommended for stucco applications.

### H EFFECTS DEVICES / LENS RETAINER

Fixture is limited to 1 effects device. Wet location effects device is sealed in place. Suction tool provided for removal of baffle with wet location. Lens retainer allows effects devices to be changed in Dry/Damp locations.

### I ROUND / SQUARE BAFFLE

Die-cast removable baffle provides easy access to tilting mechanism and features 60° glare cutoff. Minimizes aperture glare and conceals view into housing; includes gasket.

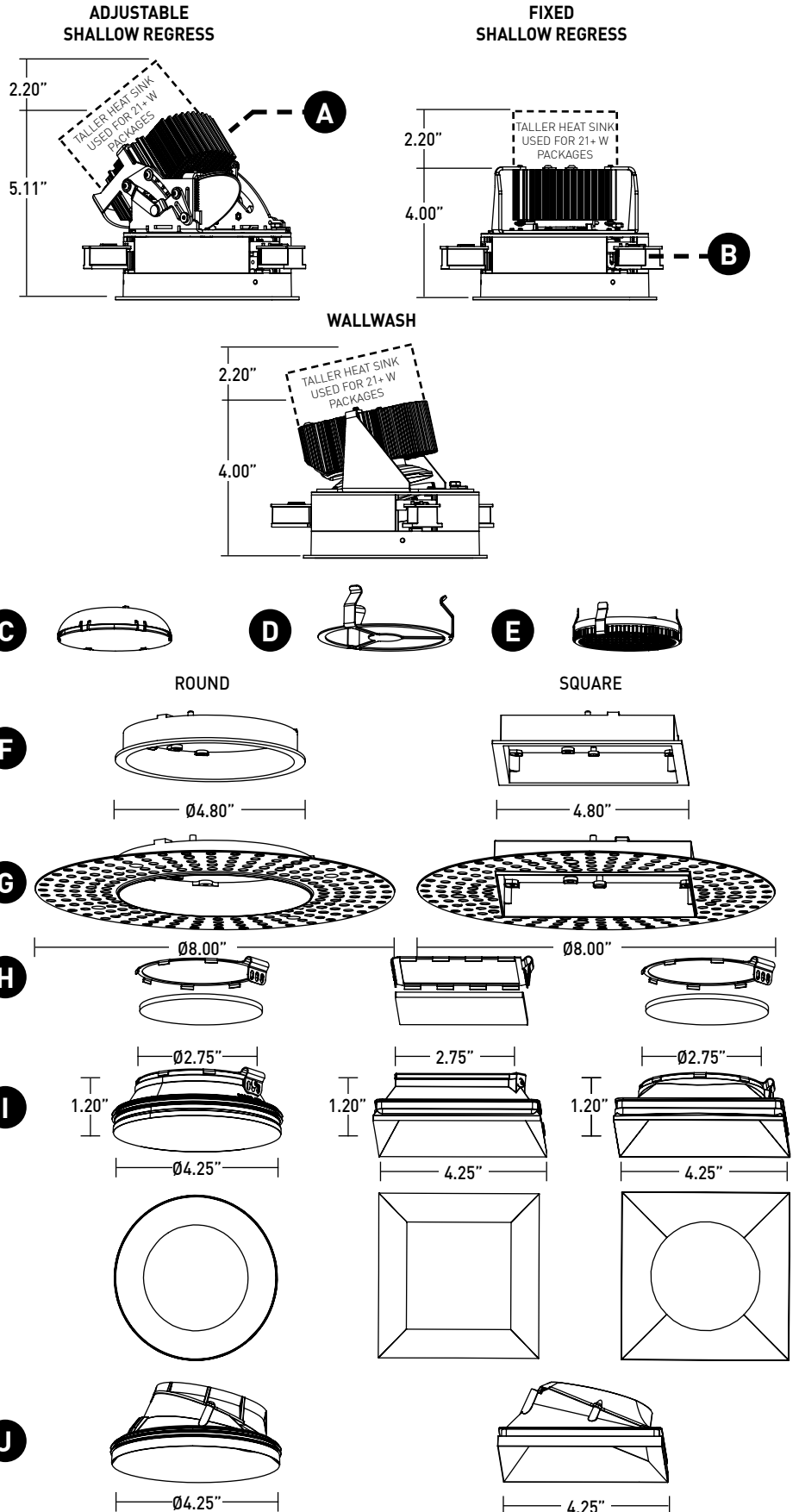
### SQUARE TRANSITIONAL BAFFLE

Die-cast removable baffle provides easy access to tilting mechanism and features 60° glare cutoff. Transitions from square aperture at ceiling plane to round aperture at light source. Minimizes aperture glare and conceals view into housing; includes gasket.

### J WALLWASH BAFFLE / MEDIA

Die-cast baffle minimizes aperture glare and conceals view into housing; includes gasket. Asymmetrical spread lens, included and sealed in place, combined with angled optic and wide aperture enhance uniformity. Suction tool provided for removal of baffle.

## DIMENSIONS / DRAWINGS



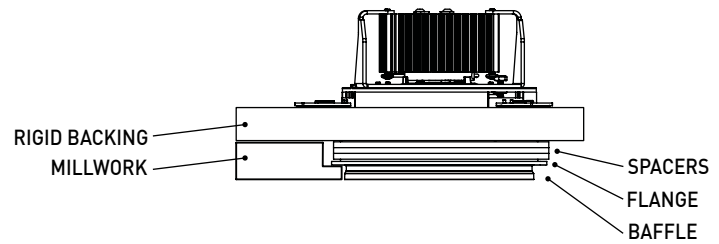
# FRAXION4 REMODEL SHALLOW REGRESS

## DOWNLIGHT

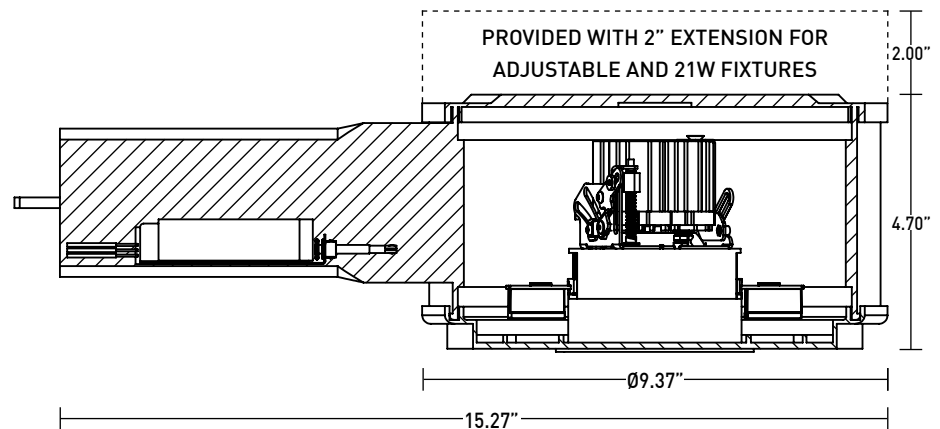
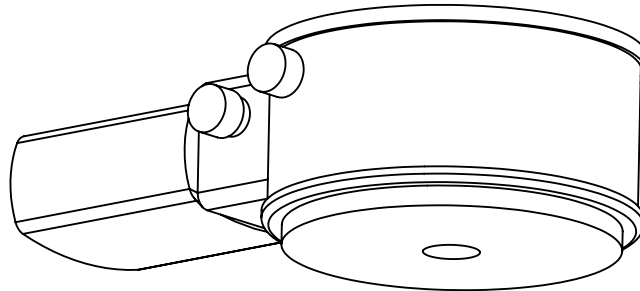
- K TRIMLESS MILLWORK PROFILE / SPACERS**  
No visible flange, installs totally flush with millwork. Requires rigid backing for installation. Includes (1) 1/16" spacer and (5) 1/8" spacers.
- L CONCRETE POUR HOUSING / PROFILE**
  - Provided with install types "KC and KR".
  - Ships separate from downlight and power supply
  - Features 4 conduit entries compatible with 3/4" and 1" ENT.
  - Features tunnel for integral power supply installation.

## DIMENSIONS / DRAWINGS

**K**



**L**



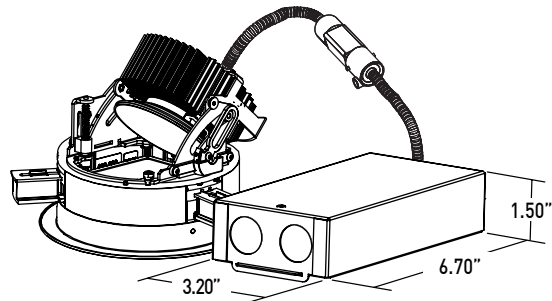
# FRAXION4 REMODEL SHALLOW REGRESS

## REMODEL POWER SUPPLY

### M REMODEL WITH NON-IC TETHERED POWER SUPPLY

- Requires 4.42" cutout.
- Tethered power supply protected wiring and quick-connect plug between fixture and power supply.
- Minimum 0.75" clearance from top of fixture.
- Minimum setback from combustible and non-combustible materials of 6.61" radius from fixture centerline; minimum 3.00" from surfaces of power supply if not situated within above noted radius from fixture centerline.
- Minimum additional 3.00" setback from insulation material with max R-Value 30 from any surface of downlight fixture assembly.
- Minimum additional 6.00" setback from polycell spray foam insulation with max R-Value 60 from any surface of downlight fixture assembly.
- Consult factory for spacing requirements for any installations exceeding R-Value 60.
- Do not install in environments where ambient temperatures exceed 40°C (104°F).

M

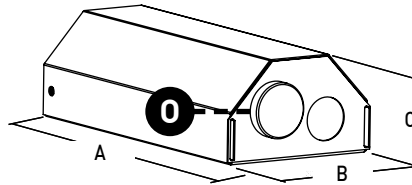


## REMOTE POWER SUPPLY

### N REMOTE APPLICATIONS

- Provided with install type "RR".
- Requires plenum rated Class 2 cable between fixture and remote driver. Cable supplied by others.
- See page 8 for maximum allowable wiring distance.
- Must be installed in an accessible location
- Do not install in environments where ambient temperatures exceed 40°C (104°F).

N



	A	B	C
STATIC WHITE / WARM DIM	6.94"	3.35"	2.00"
TUNABLE WHITE	8.10"	5.00"	2.00"
ATHENA / CASAMBI CONTROLLED	8.10"	5.00"	2.00"

### O ATHENA / CASAMBI CONTROL

Controls integrated into remote driver assembly. All equipment is serviceable.

Athena Model Numbers: A-WN-D01-RF-BL & DFC-OEM-DBI

Casambi Model Number: BT-S1E1-5400

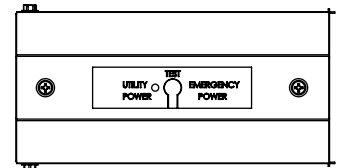
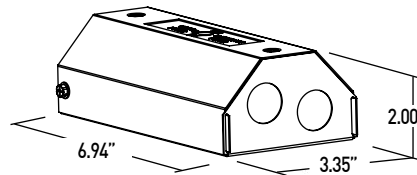
### P ATHENA / CASAMBI EM SHUNT

Included with drivers specified as ASR, ATR, CSR, or CTR. One required for each wireless EM fixture, requires class 2 control wiring between fixture and shunt. Features integrated test switch.

Model Number: PS-RMT-SHUNT

P

### ATHENA / CASAMBI EM SHUNT



# FRAXION4 REMODEL SHALLOW REGRESS

## TECHNICAL

### CONSTRUCTION

**Downlight:** Painted finishes are granulated powder coat. Forged aluminum heat-sink.

**Remote Power Supply:** 22 Gauge galvanized steel.

**Appliqué:** Zinc alloy.

### STATIC WHITE LED

2-step MacAdam ellipse LED module available in 80+, 90+ and 97+ CRI configurations in color temperatures of 2700K, 3000K, 3500K and 4000K. 3-step MacAdam ellipse LED module available in 90+ CRI configuration in color temperature of 2400K. Average rated lamp life of 50,000 hours. LED and driver assemblies are field-replaceable.

### WARM DIM LED

3-step MacAdam ellipse warm dim LED module available in 90+ CRI configuration. 3000K or 2700K at full brightness, warming to 1800K at full dim. Average rated lamp life of 50,000 hours. LED and driver assemblies are field-replaceable.

### TUNABLE WHITE LED

3-step MacAdam ellipse tunable white LED module available in 90+ CRI configuration. Features tuning ranges of 1800K to 4000K and 2700K to 5000K. Average rated lamp life of 50,000 hours. LED and driver assemblies are field-replaceable.

### POWER SUPPLY PERFORMANCE AND DIMMING INFORMATION

	PHASE	0-10V						ECO	DALI-2		ATHENA		CASAMBI	
Power Supply	PH1	SG3	SN3	EG1	EN1	DG1	DN1	LP1	ED1	DD1	AS1	AD1	CS1	CD1
Minimum °C	-20 °C	-20 °C	-20 °C	-20 °C	-20 °C	-20 °C	-20 °C	0 °C	-20 °C	-20 °C	0 °C	0 °C	-20 °C	-20 °C
Maximum °C	40 °C	40 °C	40 °C	40 °C	40 °C	40 °C	40 °C	40 °C	40 °C	40 °C	40 °C	40 °C	40 °C	40 °C
Dimming %	2.0%	1.0%	1.0%	0.1%	0.1%	0.1%	0.1%	0.1%	0.1%	0.1%	0.1%	0.1%	0.1%	0.1%

Note: For PH1, LP1, EG1 and EN1 drivers consult chart on page 9 to confirm appropriate dimming curve for compatibility with selected control.

### MAXIMUM ALLOWABLE REMOTE DRIVER WIRING DISTANCES

DRIVER	WIRE AWG				
	12	14	16	18	20
PH1	285'	180'	113'	71'	45'
LP1	60'	40'	25'	15'	-
EG1, EN1, ED1, DG1, DN1, DD2, AS1, AD1, CS1, CD1	-	-	118'	72'	46'

### WALLWASH SPACING

Recommended fixture spacing is 36" (914mm) on center with 36" (914mm) setback from wall plane.

### LISTING

cTUVus listed to UL1598 standard for Dry / Damp and Wet locations.

NEMA 410 Compliant.

U.S. Patent: 10,317,066

### BUY AMERICAN ACT

All Fraxion4 SLIM Adjustable configurations are Buy American Act compliant.

### DECLARE

LBC Red List Approved.

### WEIGHT

Fixture - 3 lbs max

Remote Driver - 1.4 lbs

## LIMITED WARRANTY

Manufacturer's Limited Warranty guarantees product(s) listed to be free from defects in material and workmanship under normal use and service for 1-year. LED and power supplies are warranted to operate with 70% of original flux and remain within a range of 3 duv for a period of 5-years. 10-year Lutron Advantage limited warranty available on Lutron equipped systems. Warranty period begins from the date of shipment by Seller. [Consult website for full warranty terms and conditions.](#)



**Declare.**



# FRAXION4 REMODEL SHALLOW REGRESS

## DIMMING COMPATIBILITY

### PHILIPS DRIVER COMPATIBILITY

Power supply PH1 Manufacturer	Family/Model #
Lutron Electronics	DV-600P
Lutron Electronics	DVELV-303P
Lutron Electronics	NTELV-600
Lutron Electronics	MAELV-600
Lutron Electronics	SELV-300P
Lutron Electronics	DVLV-600P
Lutron Electronics	NFTU-5A
Lutron Electronics	CTCL-153P
Lutron Electronics	GL-600H
Lutron Electronics	S-600P
Lutron Electronics	PHPM

### LUTRON DRIVER COMPATIBILITY

Power supply LP1 Lutron Product Family	Part No.
PowPak Dimming Modules	RMJ-EC032-DV-B
PowPak Dimming Modules	FCJ/FCJS-ECO
Energi Savr Nodes	QSN-1ECO-S
GRAFIK Eye QS control unit Homeworks QS control unit	QSN-2ECO-S
GRAFIK Eye QS control unit Homeworks QS control unit	QSGRJ- _E (wireless) QSGR- _E
Quantum Hub	QP2-__ _2C
Quantum Hub	QP2-__ _4C
Quantum Hub	QP2-__ _6C
Quantum Hub	QP2-__ _8C
Homeworks QS power module myRoom Plus power module	LQSE-2ECO-D



### eldoLED DRIVER COMPATIBILITY

Power supply EG1 / SG3 Manufacturer	Family/Model #
Busch-Jaeger	2112U-101
Jung	240-10
Leviton Lighting Controls	IP710-DLX
Lightolier Controls	ZP600FAM120
Merten	5729
Pass & Seymour	CD4FB-W
The Watt Stopper	DCLV1
Synergy	ISD BC
Crestron®	GLX-DIMFLV8
Crestron®	GLXP-DIMFLV8
Crestron®	GLPAC-DIMFLV4-*
Crestron®	GLPAC-DIMFLV8-*
Crestron®	GLPP-DIMFLVEX-PM
Crestron®	GLPP-1DIMFLV2EX-PM
Crestron®	GLPP-1DIMFLV3EX-PM
Crestron®	DIN-A08
Crestron®	DIN-4DIMFLV4
Crestron®	CLS-EXP-DIMFLV
Crestron®	CLCI-1DIMFLV2EX
Power supply EN1 / SN3 Manufacturer	Family/Model #
Lutron Electronics	Nova T® - NTFTV
Lutron Electronics	Diva® - DVTV
Lutron Electronics	Nova® - NFTV
Lutron Electronics	GrafixEye® GRX-TVI w GRX3503
Lutron Electronics	Energy Savr Node™ - QSN-4T16-S
Lutron Electronics	TVM2 Module
Sensor Switch	nIO EZ
ABB	SD/S 2.16.1

## ANALOG DRIVERS AND DIMMERS

