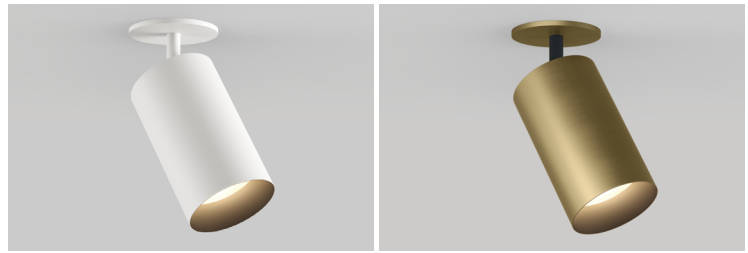


# MONOPOINT CM2 SURFACE MOUNT

Elegant design means this monopoint does more. An inventive elbow built into the fixture body that allows a full 90 degree tilt and drop lengths of up to 1' extend adjustability.

PROJECT NAME:	TYPE:
---------------	-------



## ORDERING INFORMATION - MONOPOINT



JA8-2022 COMPLIANCE INDICATED BY SHADING

CYLINDER	LENGTH	FIXTURE	BODY FINISH	BAFFLE FINISH	STEM FINISH	CRI / WATTAGE PACKAGE	CCT	OPTIC (UGR)	DRIVER	MEDIA	MOUNTING
<b>CM2</b>											
CM2 3.25"	LENGTHS SL 1.4" Standard 06 6" 12 12"  CUSTOM LENGTHS XX Specify in 1" increments between 2"-11" (Ex. 4" = 04)* *(Increased lead time)  STEMS ARE NOT FIELD CUTTABLE	ADJUSTABLE DRY / DAMP AD1 Adjustable 90° Tilt  FIXED ANGLE WET (IP65) F02 Fixed 0° No Tilt* F12 Fixed 15° Tilt* F32 Fixed 30° Tilt* F42 Fixed 45° Tilt*  *FIXED ANGLE TILT IS SET AS SPECIFIED, CANNOT BE CHANGED IN THE FIELD	POWDERCOAT WH White BK Black AB Architectural Bronze AG Satin Silver AU Cashmere Gold BB Burnt Bronze CF Custom Finish*  <b>ALUMINA</b> INTERIOR APPLICATIONS ONLY 01 Brushed Obsidian 02 Matte Obsidian 03 Brushed Dark Patinated Bronze 04 Matte Dark Patinated Bronze 05 Brushed Aged Aluminum 06 Matte Aged Aluminum 07 Brushed Cast Brass 08 Matte Cast Brass 09 Brushed Light Patinated Bronze 10 Matte Light Patinated Bronze  <b>ALUMINA NOT RECOMMENDED FOR EXTERIOR APPLICATIONS, FINISHES ARE NOT UV RATED</b>	POWDERCOAT WH White BK Black AB Architectural Bronze AG Satin Silver AU Cashmere Gold BB Burnt Bronze CF Custom Finish*  <b>ALUMINA</b> CONSULT FACTORY FOR ALUMINA FINISHES	POWDERCOAT WH White BK Black AB Architectural Bronze AG Satin Silver AU Cashmere Gold BB Burnt Bronze CF Custom Finish*  <b>ALUMINA</b> CONSULT FACTORY FOR ALUMINA FINISHES	<p><b>STATIC WHITE</b></p> <p>24 2400K* *(90+ CRI only) 27 2700K 30 3000K 35 3500K 40 4000K</p> <p>80S11A 80+ CRI, 11 Watts Im Delivered - 1216</p> <p>80S17A 80+ CRI, 17 Watts Im Delivered - 1843</p> <p>90S11A 90+ CRI, 11 Watts Im Delivered - 1045</p> <p>90S17A 90+ CRI, 17 Watts Im Delivered - 1583</p> <p>97S11A 97+ CRI, 11 Watts Im Delivered - 918</p> <p>97S17A 97+ CRI, 17 Watts Im Delivered - 1390</p> <p><b>REMOTE STATIC WHITE</b></p> <p>27 2700K 30 3000K 35 3500K* *(Not available for 97+ CRI) 40 4000K</p> <p>80S28B 80+ CRI, 28 Watts Im Delivered - 2756</p> <p>90S28B 90+ CRI, 28 Watts Im Delivered - 2368</p> <p>97S28B 97+ CRI, 28 Watts Im Delivered - 2079</p> <p><b>WARM DIM</b></p> <p>90W18A 90+ CRI, 18 Watts Incandescent Profile Im Delivered - 1140</p> <p>Halogen Profile Im Delivered - 1128</p> <p>SEE PAGE 3 FOR WARM DIM PROFILE COMPARISON.</p> <p><b>REMOTE TUNABLE WHITE</b></p> <p>90T28A 90+ CRI, 28W Cool Profile: 5000K - 2700K Im Delivered - 1977</p> <p>Warm Profile: 4000K - 1800K Im Delivered. - 1995</p>	<p>24 2400K* *(90+ CRI only) 27 2700K 30 3000K 35 3500K 40 4000K</p> <p>27 2700K 30 3000K 35 3500K* *(Not available for 97+ CRI) 40 4000K</p> <p>WL 2700K - 1800K WD 3000K - 1800K</p> <p>TH 5000K - 2700K TR 4000K - 1800K</p>	<p>10 10° (&gt;19) 15 15° (&lt;13) 20 20° (&lt;10) 25 25° (&lt;10) 40 40° (&lt;10) 60 60° (&lt;16)</p> <p>15 15° (&lt;13) 20 20° (&lt;10) 25 25° (&lt;10) 40 40° (&lt;10) 60 60° (&lt;16)</p> <p>20 20° (&lt;10) 25 25° (&lt;10) 40 40° (&lt;10) 60 60° (&lt;13)</p> <p>15 15° (&lt;13) 20 20° (&lt;13) 25 25° (&lt;13) 40 40° (&lt;13) 60 60° (&lt;16)</p>	<p><b>INTEGRAL</b> CA 0-10V Analog 120-277V CE Electronic ELV / TRIAC 120V</p> <p><b>REMOTE (120V)</b> RE Electronic ELV / TRIAC</p> <p><b>REMOTE (120V-277V)</b> RA 0-10V Analog LH Lutron, Hi-Lume Ecosystem 1% Fade to Black, LP Lutron, Hi-Lume Premier Ecosystem 0.1% Fade to Black EG eldoLED, SOLdrive 0.1% 0-10V, LOG EN eldoLED, SOLdrive 0.1% 0-10V, LIN ED eldoLED, SOLdrive 0.1% DALI-2, LOG AS1 / Athena Control ASR eldoLED, DUALdrive 0.1%* *(Includes Athena Node. Increased lead time, consult factory. ASR includes shunt.) CS1 / Casambi Control CSR eldoLED, DUALdrive 0.1%* *(Includes Athena Node. Increased lead time, consult factory. CSR includes shunt.)</p> <p><b>TUNABLE WHITE POWER SUPPLIES (120-277V)</b> DD eldoLED, DUALdrive 0.1% DALI-2, LOG DG eldoLED, DUALdrive 0.1% 0-10V, LOG DN eldoLED, DUALdrive 0.1% 0-10V, LIN AD1 / Athena Control ADR eldoLED, DUALdrive 0.1%* *(Includes Athena Node. Increased lead time, consult factory. ADR includes shunt.) CD1 / Casambi Control CDR eldoLED, DUALdrive 0.1%* *(Includes Casambi Node. Extended lead time, consult factory. CDR includes shunt)</p>	<p><b>STANDARD MEDIA</b> 4 Soft Focus Lens* *(Required for 10° optic)</p> <p><b>ALTERNATE MEDIA</b> 2 Honeycomb Louver* *(Not available for Wet Location or Warm Dim) 3 Clear Glass Lens* *(Not available for Warm Dim) 5 Frosted Glass Lens 6 Frosted Soft Focus Lens 7 Frosted Linear Spread Lens S Soft Focus Lens w/ Honeycomb Louver F Frosted Glass Lens w/ Honeycomb Louver N No Lens* *(Not available for Wet Location or Warm Dim)</p>	<p><b>ROUGH-IN</b> J JBMP 4" Sq. or 4/0 Junction Box Mounting Plate. Features 3.25" diameter canopy* *(Mounting plate must be installed on junction box prior to ceiling installation).</p> <p><b>FINISH OUT</b> C CMJB 1/2" and 3/4" Conduit Ceiling Mount Junction Box. Features matching 3.25" canopy.* *(Not available for Wet Location. Only available in powdercoat finishes. Alumina finish fixtures ship with Black powdercoat CMJB) G Zero Sightline Gypsum (1/16" Applique) Features 2.6" diameter canopy* *(Mounts to 4/0 junction box) R Remodel 4.5" diameter Flange Overlay Canopy* *(Mounts to existing 4/0 junction box)</p>
			ALL LLM DELIVERED AND T24 COMPLIANCE REFLECT 3000K PAIRED WITH 20° OPTIC AND SOFT FOCUS LENS						SEE PAGE 3 FOR UGR RATINGS		

### PART NUMBER NOTES

- CM2 ships as e.g., CM202AD1WHBKWH90S11\*3040CA\*4
- Remote driver ships as e.g., PS-RMT-90S-28B-1RE\*
- Mounting ships separate from fixture, part numbers listed on page 5.



# MONOPOINT CM2 SURFACE MOUNT

## FINISHES

### POWDERCOAT FINISHES



### ALUMINA FINISHES BY LUCIFER LIGHTING™



## ACCESSORIES

### REPLACEMENT MEDIA

**HCL-CT2** Honeycomb Louver\*  
\*(Not available for Warm Dim)

**CGL-CT2** Clear Glass Lens\*  
\*(Not available for Warm Dim)

**SFL-CT2** Soft Focus Lens

**FGL-CT2** Frosted Glass Lens

**FSFL-CT2** Frosted Soft Focus Lens

**FLSL-CT2** Frosted Linear Spread Lens

### SECOND MEDIA GASKET

Replaces standard gasket when installing second media. Not required if two media are specified with fixture.

**2EDG-CT2** Two Media Gasket

### REPLACEMENT OPTICS

Interchangeable optics accessible by removing baffle.

#### Static White

- RO-70-15-S** 15° optic
- RO-70-20-S** 20° optic
- RO-70-25-S** 25° optic
- RO-70-40-S** 40° optic
- RO-70-60-S** 60° optic

#### Warm Dim

- RO-70-20-W** 20° optic
- RO-70-25-W** 25° optic
- RO-70-40-W** 40° optic
- RO-70-60-W** 60° optic

#### Tunable White

- RO-70-15-S** 15° optic
- RO-70-20-S** 20° optic
- RO-70-25-S** 25° optic
- RO-70-40-S** 40° optic
- RO-70-60-S** 60° optic

### EMERGENCY LIGHTING - REMOTE MOUNT ONLY

During disruption of main power, emergency battery inverter provides temporary 120V or 277V to fixture.

**EMB-S-25-120/277-LEDX** 25 watt max capacity, 120 or 277 VAC 60Hz, Non-Dimmable

**EMB-S-100-120-LEDX** 100 watt max capacity, 120 VAC 60Hz, 0-10V Dimmable

**EMB-S-100-277-LEDX** 100 watt max capacity, 277 VAC 60Hz, 0-10V Dimmable

**EMB-S-250-120/277-LEDX** 250 watt max capacity, 120 or 277 VAC 60Hz, 0-10V Dimmable

**\*SHUNT REQUIRED FOR USE WITH ATHENA AND CASAMBI CONTROLS, CONSULT FACTORY FOR DETAILS.**

# MONOPOINT CM2 SURFACE MOUNT

## PERFORMANCE - 3000K

LUMEN PACKAGE	WATTAGE	10° OPTIC FIELD REDUCER		15° OPTIC SOFT FOCUS LENS		20° OPTIC SOFT FOCUS LENS		25° OPTIC SOFT FOCUS LENS		40° OPTIC SOFT FOCUS LENS		60° OPTIC SOFT FOCUS LENS	
		DELIVERED	LPW	DELIVERED	LPW	DELIVERED	LPW	DELIVERED	LPW	DELIVERED	LPW	DELIVERED	LPW
80S11A	11	613	55	1143	104	1216	111	1202	109	1124	102	949	86
80S17A	17	828	49	1750	103	1843	108	1823	107	1690	99	1440	85
80S28B	28	-	-	2571	92	2756	98	2694	96	2529	90	2072	74
90S11A	11	528	48	982	89	1045	95	1033	94	966	88	815	74
90S17A	17	714	42	1503	88	1583	91	1566	92	1452	85	1237	73
90S28B	28	-	-	2209	79	2368	85	2314	83	2193	78	1780	64
97S11A	11	456	41	862	78	918	83	907	82	848	77	716	65
97S17A	17	616	36	1320	78	1390	82	1375	81	1275	75	1086	64
97S28B	28	-	-	1939	69	2079	74	2032	73	1908	68	1563	56
90W18A (2700K-1800K)	18	-	-	-	-	1140	63	1128	63	1044	58	915	51
90W18A (3000K-1800K)	18	-	-	-	-	1128	63	1126	63	1063	59	926	51
90T28A (4000K-1800K)	28	-	-	1972	70	1995	71	1971	70	1837	66	1655	59
90T28A (5000K-2700K)	28	-	-	1954	70	1977	71	1953	70	1820	65	1640	59

### MEDIA LIGHT LOSS MULTIPLIER

MEDIA	LIGHT LOSS FACTOR
No Lens	1.05
CGL	1.00
SFL	1.00
FGL	0.85
FSFL	0.82
FLSL	0.78
HCL	0.75
SFL W/ HCL	0.68
FGL W/ HCL	0.47

### OUTPUT MULTIPLIER

CCT	CCT SCALE
2400K	0.85
2700K	0.97
3000K	1.000
3500K	1.03
4000K	1.08

### TUNABLE WHITE MULTIPLIER

CCT	5000K-2700K	4000K-1800K
5000K	1.16	-
4000K	1.08	1.14
3500K	1.04	1.07
3000K	1.00	1.00
2700K	0.96	0.92
2400K	-	0.84
1800K	-	0.69



JA8-2022 INDICATED BY SHADING

### UNIFIED GLARE RATING

10° OPTIC FIELD REDUCER	15° OPTIC SOFT FOCUS LENS	20° OPTIC SOFT FOCUS LENS	25° OPTIC SOFT FOCUS LENS	40° OPTIC SOFT FOCUS LENS	60° OPTIC SOFT FOCUS LENS
>19	<13	<13	<13	<13	<16

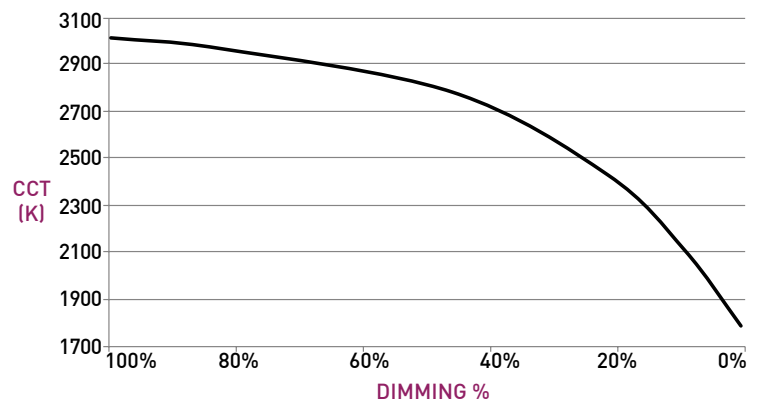
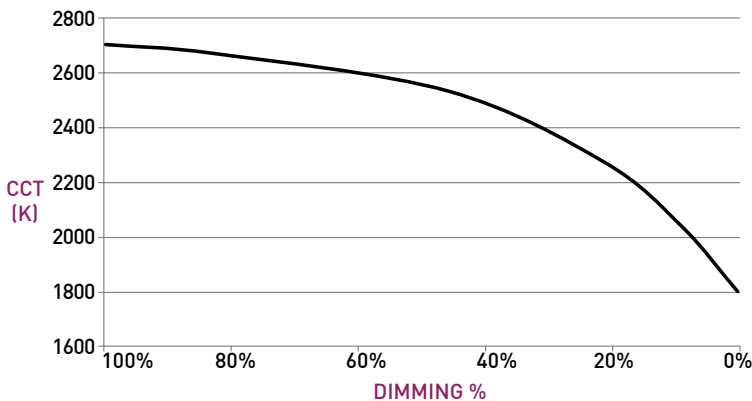
## WARM DIM PERFORMANCE - SOFT FOCUS LENS - 20° OPTIC

### INCANDESCENT DIMMING PROFILE

90W18AL 2700K - 1800K	Full on 100%	Dimmed to 80%	Dimmed to 70%	Dimmed to 50%	Dimmed to 20%	Dimmed to 10%	Dimmed to 2%
CCT (K)	2700	2650	2620	2520	2180	1950	1800
Light Output (lm)	1128	902	790	564	226	113	23
Power (W)	18	14.4	12.6	9	3.6	1.8	0.36
Efficacy (LPW)	63	63	63	63	63	63	63

### HALOGEN WARM DIM PROFILE

90W18AD 3000K - 1800K	Full on 100%	Dimmed to 80%	Dimmed to 70%	Dimmed to 50%	Dimmed to 20%	Dimmed to 10%	Dimmed to 2%
CCT (K)	3000	2950	2920	2775	2375	2000	1800
Light Output (lm)	1140	912	798	570	228	114	23
Power (W)	18	14.4	12.6	9	3.6	1.8	0.36
Efficacy (LPW)	62	62	62	62	62	62	62

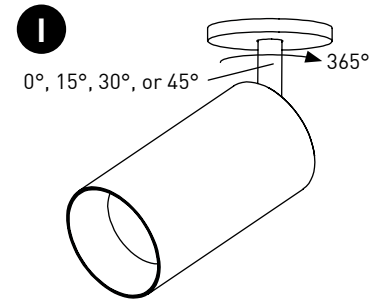
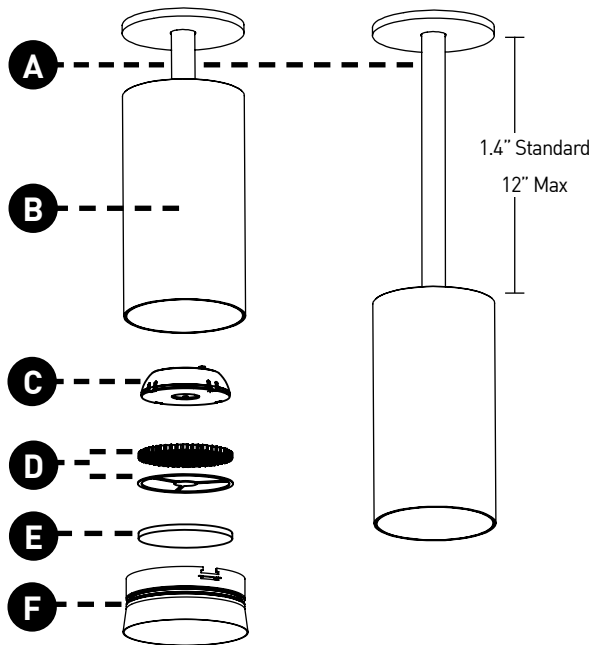
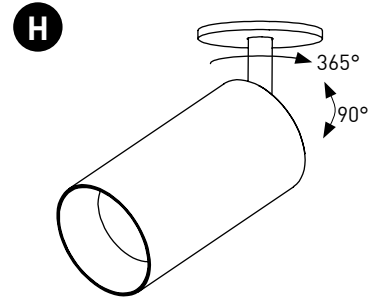
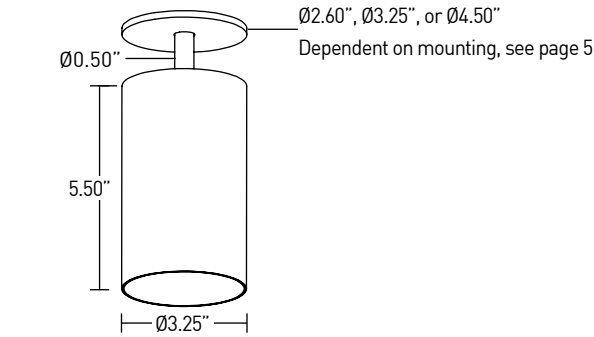


# MONOPOINT CM2 SURFACE MOUNT

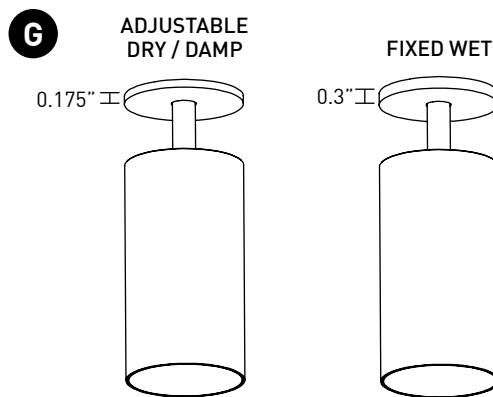
## MONOPOINT

- A STEM**  
Standard length is 1.4", available in even-inch increments between 2"-12". Stem is not field cuttable. Powdercoat finishes standard, consult factory for Alumina finishes.
- B BODY**  
Available in powdercoat finishes and Alumina finishes (interior applications only). Power supply integrated into fixture body.
- C OPTICS**  
Robust light engine with optimized optic pairing integrates Reflection, Refraction, and TIR offering 10°, 15°, 20°, 25°, 40° & 60° beams.
- D 10° FIELD REDUCER**  
Soft Focus Lens, Honeycomb Louver, and Field Reducer provided with 10° optic. Reduces field angle by 30%.
- E MEDIA**  
Soft Focus Lens standard. Wet location media sealed in place.
- F BAFFLE**  
Accepts 2 media devices. Baffle minimizes aperture glare and conceals view into fixture. Powdercoat finishes standard, consult factory for Alumina finishes.
- G CANOPY**  
Adjustable Dry/Damp fixture features 0.175" and Fixed Wet fixture features 0.3" tall canopy.
- H ADJUSTABLE FIXTURE**  
Features 90° tilt and 365° rotation. Only available for Dry / Damp locations.
- I FIXED FIXTURE**  
Available with pre-set tilts of 0°, 15°, 30°, or 45°, and features 365° rotation. Wet rated, may be used in Dry / Damp locations.

## DIMENSIONS / DRAWINGS



**IMPORTANT: FIXED FIXTURE TILT CANNOT BE ADJUSTED OR CHANGED IN THE FIELD, FIXTURES MUST BE RETURNED TO FACTORY FOR TILT CHANGES AT ADDITIONAL COST.**





# MONOPOINT CM2 SURFACE MOUNT

## REMOTE POWER SUPPLY

**N** Remote power supply provides additional driver options. See page 7 for maximum allowable wiring distance. Must be installed in an accessible location.

**O** ATHENA / CASAMBI CONTROL  
Controls integrated into remote driver assembly. All equipment is serviceable.

Athena Model Numbers: A-WN-D01-RF-BL & DFC-OEM-DBI

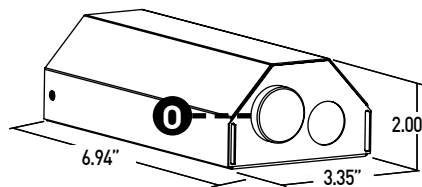
Casambi Model Number: BT-S1E1-5400

**P** ATHENA / CASAMBI EM SHUNT  
Included with drivers specified as ASR, ATR, CSR, or CTR. One required for each wireless EM fixture, requires class 2 control wiring between fixture and shunt. Features integrated test switch.

Model Number: PS-RMT-SHUNT

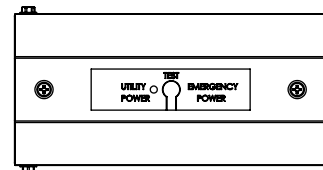
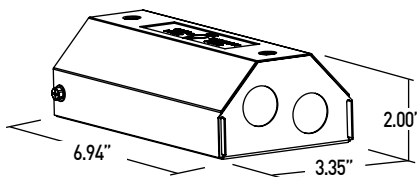
## DIMENSIONS / DRAWINGS

**N**



**P**

### ATHENA / CASAMBI EM SHUNT



# MONOPOINT CM2 SURFACE MOUNT

## TECHNICAL

### CONSTRUCTION

**Monopoint:** Machined aluminum body; painted finishes are granulated powder coat; Alumina finishes are anodized aluminum.

**Remote Power Supply:** 22 Gauge galvanized steel.

**Appliqué:** Machined Aluminum

### STATIC WHITE LED

2-step MacAdam ellipse LED module available in 80+, 90+ and 97+ CRI configurations in color temperatures of 2700K, 3000K, 3500K and 4000K. 3-step MacAdam ellipse LED module available in 90+ CRI configurations in color temperature of 2400K. Average rated lamp life of 50,000 hours.

### WARM DIM LED

3-step MacAdam ellipse warm dim LED module available in 90+ CRI configuration. 3000K or 2700K at full brightness, warming to 1800K at full dim. Average rated lamp life of 50,000 hours.

### TUNABLE WHITE LED

3-step MacAdam ellipse tunable white LED module available in 90+ CRI configuration. Features tuning ranges of 1800K to 4000K and 2700K to 5000K. Average rated lamp life of 50,000 hours.

### POWER SUPPLY PERFORMANCE AND DIMMING INFORMATION

Power Supply	PHASE			ECO								0-10V				DALI-2		ATHENA		CASAMBI	
	CE/RE	LH	LP	CA/RA	SG	SN	EG	EN	DG	DN	ED	DD	AS	AT	CS	CT					
Minimum °C	-20 °C	0 °C	0 °C	-20 °C	-20 °C	-20 °C	-20 °C	-20 °C	-20 °C	-20 °C	-20 °C	-20 °C	-20 °C	-20 °C	-20 °C	-20 °C					
Maximum °C	40 °C	40 °C	40 °C	40 °C	40 °C	40 °C	40 °C	40 °C	40 °C	40 °C	40 °C	40 °C	40 °C	40 °C	40 °C	40 °C					
Dimming %	2.0%	1.0%	0.1%	2.0%	1.0%	1.0%	0.1%	0.1%	0.1%	0.1%	0.1%	0.1%	0.1%	0.1%	0.1%	0.1%					

Note: For LH, LP, SG, SN, EG, EN, DG, and DN drivers consult chart on page 8 to confirm appropriate dimming curve for compatibility with selected control.

### MAXIMUM ALLOWABLE REMOTE DRIVER WIRING DISTANCES

DRIVER	WIRE AWG				
	12	14	16	18	20
RA, RE	-	164'	105'	66'	40'
SG, SN	285'	180'	113'	71'	45'
LH, LP	60'	40'	25'	15'	-
EG, EN, ED, DG, DN, DD, AS, AT, CS, CT	-	-	118'	72'	46'

### LISTING

cTUVus listed to UL1598 standard for Dry / Damp and IP65 Wet locations. Title 24 JA8-2022 Listed. NEMA 410 Compliant.

### DECLARE

LBC Red List Approved.

### BUY AMERICA ACT

All CM2 Adjustable and Fixed fixtures are BAA compliant.

### LIMITED WARRANTY

Manufacturer's Limited Warranty guarantees product(s) listed to be free from defects in material and workmanship under normal use and service for 1-year. LED and power supplies are warranted to operate with 70% of original flux and remain within a range of 3 duv for a period of 5-years. 10-year Lutron Advantage limited warranty available on Lutron equipped systems. Warranty period begins from the date of shipment by Seller. [Consult website for full warranty terms and conditions.](#)

### CHANGE LOG

- 04/27/2023: ADDED AU AND BB FINISHES OPTIONS FOR BODY AND STEM.
- 04/27/2023: ADDED DECLARE LBC RED LIST APPROVED.
- 08/07/2023: ADDED NEW LED AND OPTIC OFFERINGS. REMOVED 2400K OFFERING.
- 01/17/2024: ADDED WET RATED FIXED FIXTURE, ATHENA AND CASAMBI CONTROL, AND INTEGRAL WARM DIM OFFERINGS.
- 02/13/2024: ADDED TUNABLE WHITE OFFERING.
- 03/18/2024: UPDATED 10 DEGREE NARROW BEAM TO UTILIZE FILED REDUCER.
- 07/15/2024: REMOVED L2 DRIVER OFFERING.
- 09/19/2024: UPDATED WITH NEW BAFFLE DESIGN.



# MONOPOINT CM2 SURFACE MOUNT

## DIMMING COMPATABILITY

### PHILIPS DRIVER COMPATIBILITY

Power supply <b>SG</b> Manufacturer	Family/Model #
Lutron Electronics	DVTV plus PP-DV
Lutron Electronics	DVSCTV plus PP-DV
Lutron Electronics	DVSTV
Lutron Electronics	DVSCSTV
Lutron Electronics	QSGRJ-XP plus GRX-TVI
Lutron Electronics	QSGRJ-XE plus GRX-TVI
Lutron Electronics	QSGR-XE plus GRX-TVI
Lutron Electronics	NFTV plus PP-DV
Lutron Electronics	NTSTV
Lutron Electronics	RMJ-5T
Lutron Electronics	RMJS-8T
Lutron Electronics	FCJS-010
Leviton	IllumaTch IP7 series
Philips	Sunrise - SR1200ZTUNV

### LUTRON DRIVER COMPATIBILITY

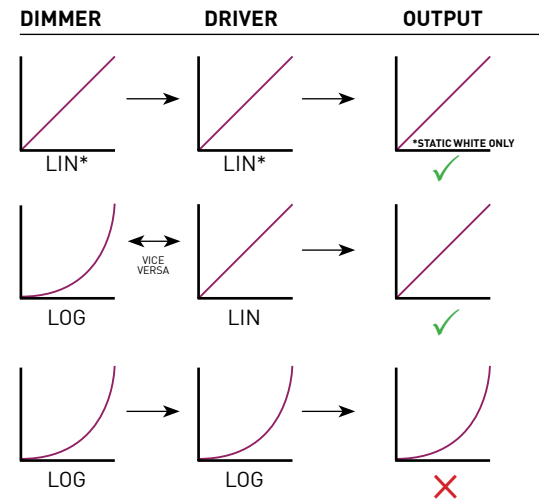
Power supply <b>LH / LP</b> Lutron Product Family	Part No.
PowPak Dimming Modules	RMJ-EC032-DV-B
PowPak Dimming Modules	FCJ/FCJS-ECO
Energi Savr Nodes	QSN-1ECO-S
GRAFIK Eye QS control unit Homeworks QS control unit	QSN-2ECO-S
GRAFIK Eye QS control unit Homeworks QS control unit	QSGRJ-_E (wireless) QSGR-_E
Quantum Hub	QP2-__2C
Quantum Hub	QP2-__4C
Quantum Hub	QP2-__6C
Quantum Hub	QP2-__8C
Homeworks QS power module myRoom Plus power module	LQSE-2ECO-D



### eldoLED DRIVER COMPATIBILITY

Power supply <b>EG, DG</b> Manufacturer	Family/Model #
Busch-Jaeger	2112U-101
Jung	240-10
Leviton Lighting Controls	IP710-DLX
Lightolier Controls	ZP600FAM120
Merten	5729
Pass & Seymour	CD4FB-W
The Watt Stopper	DCLV1
Synergy	ISD BC
Crestron®	GLX-DIMFLV8
Crestron®	GLXP-DIMFLV8
Crestron®	GLPAC-DIMFLV4-*
Crestron®	GLPAC-DIMFLV8-*
Crestron®	GLPP-DIMFLVEX-PM
Crestron®	GLPP-1DIMFLV2EX-PM
Crestron®	GLPP-1DIMFLV3EX-PM
Crestron®	DIN-A08
Crestron®	DIN-4DIMFLV4
Crestron®	CLS-EXP-DIMFLV
Crestron®	CLCI-1DIMFLV2EX
Power supply <b>EN, DN</b> Manufacturer	Family/Model #
Lutron Electronics	Nova T® - NTFTV
Lutron Electronics	Diva® - DVTV
Lutron Electronics	Nova® - NFTV
Lutron Electronics	GrafixEye® GRX-TVI w GRX3503
Lutron Electronics	Energy Savr Node™ - QSN-4T16-S
Lutron Electronics	TVM2 Module
Sensor Switch	nIO EZ
ABB	SD/S 2.16.1

## ANALOG DRIVERS AND DIMMERS



LIN = LINEAR  
 LOG = LOGARITHMIC  
 \*LIN-TO-LIN NOT COMPATIBLE FOR WARM-DIM