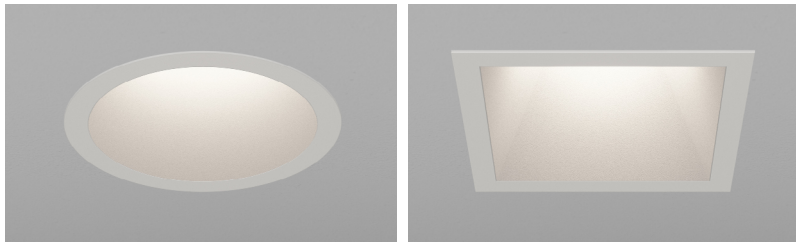


FRAXION®3 REMODEL

DEEP REGRESS

- Max output of 1548lm at 80+ CRI
- Deep regress baffle options in round and square featuring UGR as low as 1.0
- Integral drivers for tunable white with our 2 ranges, 1800K to 4000K and 2700K to 5000K
- Now available for remodel and concrete pour applications

PROJECT NAME:	TYPE:
---------------	-------



ORDERING INFORMATION - FIXTURE

SHAPE	RATING	TYPE	FINISH	BAFFLE FINISH	CRI	WATTAGE	CCT	OPTIC (UGR)	MEDIA	INSTALL TYPE	CEILING THICKNESS	DRIVER
F3RD Round Deep Regress	1 IP20 Dry/Damp	A Adjustable	POWDERCOAT MICROFLANGE	POWDERCOAT	STATIC WHITE	24 2400K* *90+ CRI 11W and 15W only	24 2400K*	10 10° (<10)	STANDARD MEDIA	REMODEL	1 0.25" - 2.125"	REMODEL
F3SD Square Deep Regress	2 IP64 Wet* *Suction cup provided for aim and focus	F Fixed	WH White	WH White	80S 80+	06D 06W - 524 Lm	27 2700K	15 15° (<13)	04 Soft Focus Lens* * (Required for 10° Optic)	RM Remodel		PH1 Forward/Reverse Phase, 2%, 120V
F3TD Square Transitional Deep Regress			AB Architectural Bronze	AB Architectural Bronze	90S 90+	11D 11W - 842 Lm	30 3000K	25 25° (<13)		RR Remote Driver		SG3 eldoLED, ECOdrive 1%, 0-10V, LOG, 120V-277V
			AG Satin Silver	AG Satin Silver	95S 95+	15D 15W - 1138 Lm	35 3500K	35 35° (<16)	ALTERNATE MEDIA			SN3 eldoLED, ECOdrive 1%, 0-10V, LIN, 120V-277V
			AU Cashmere Gold	AU Cashmere Gold		15H 15W - 539 Lm* *(For use with 10° optic only)	40 4000K	50 50° (<19)	01 Honeycomb Louver* * (Not available for IP64 Wet Location, Adjustable Fixtures, or Warm Dim)	KC Integral Driver* * (Not available for Athena and Casambi wireless controls)		EG1 eldoLED, SOLOdrive 0.1% 0-10V, LOG, 120V-277V
			BB Burnt Bronze	BB Burnt Bronze		19D 19W - 1537 Lm		80 80° (>19) * (Requires -7 WDL media)	02 Clear Glass Lens* * (Not available for Warm Dim)	KR Remote Driver		EN1 eldoLED, SOLOdrive 0.1% 0-10V, LIN, 120V-277V
			BK Black	BK Black					03 Frosted Glass Lens			ED1 eldoLED, SOLOdrive 0.1% DALI-2, LOG, 120V-277V
			PR Primer	PR Primer					05 Frosted Soft Focus Lens			LP1 Lutron, Hi-Lume Premier Ecosystem 0.1% Fade to Black, 120V or 277V* * (Not available for 21W in KC install types)
			CF Custom Finish* * (Consult Factory)	CF Custom Finish* * (Consult Factory)					06 Frosted Linear Spread Lens			AS1/ ASR Athena Control eldoLED, SOLOdrive 0.1%, 120V-277V* * (Includes Athena Node. Extended lead time, consult factory. ASR includes shunt)
			TRIMLESS		WARM DIM	90W 90+	11D 90+ CRI, 11 Watts	25 25° (<13)	07 Wide Distribution Lens* * (Required and only available for 85° optic)			CS1/ CSR Casambi Control eldoLED, SOLOdrive 0.1%, 120V-277V* * (Includes Casambi Node. Extended lead time, consult factory. CSR includes shunt)
			TG Trimless Gypsum 1/16"			16D 90+ CRI, 16 Watts Incandescent Profile 11W Lumens Divd. - 489 15W Lumens Divd. - 684	WL 2700K - 1800K	35 35° (<16)				TUNABLE WHITE REMODEL (120-277V)
			TM Trimless Milwork* * (Not available for Pre-cast concrete installations)			Halogen Profile 11W Lumens Divd. - 495 15W Lumens Divd. - 693	WD 3000K - 1800K	50 50° (<19)				MG1 0.1% 0-10V, LOG
						SEE PAGE 4 FOR DETAILED WARM DIM PROFILE COMPARISON.		80 80° (>19) * (Requires -7 WDL media)	HS Adjustable Honeycomb Louver and Soft Focus Lens* * (Not available for IP64 Wet Location, 19W, Fixed Fixtures, or Warm Dim)			MN1 0.1% 0-10V, LIN
									NL No Lens* * (Not available for IP64 Wet Location, or Warm Dim)			MD2 0.1% DALI-2 DT8, LOG
												TUNABLE WHITE REMOTE (120-277V)
												AM1/ AMR* Athena Control 0.1% * (Includes Athena Node. Extended lead time, consult factory. AMR includes shunt)
												CM1/ CMR* Casambi Control 0.1% * (Includes Casambi Node. Extended lead time, consult factory. CMR includes shunt)
												AVAILABLE WITH REMOTE TUNABLE WHITE ELDOLED DRIVERS, SEE PAGE 6



LUMEN DELIVERED OUTPUTS REFLECT 80+ CRI / 3000K PAIRED WITH 50° OPTIC AND SOFT FOCUS LENS

PART NUMBER NOTES

- Fixture as e.g., F3RD1AWHBK90S15A30354RM1EG1



FRACTION3 REMODEL DEEP REGRESS

ACCESSORIES

ROUND / TRANSITIONAL DEEP REGRESS ALTERNATE MEDIA

IP20 Dry / Damp location only.
IP64 Wet location requires alternate baffle.

- CGL-F3R-2** Clear Glass Lens*
*(Not available for Warm Dim)
- FGL-F3R-2** Frosted Glass Lens
- SFL-F3R-2** Soft Focus Lens
- FSFL-F3R-2** Frosted Soft Focus Lens
- WDL-F3R-2** Wide Distribution Lens*
- *(Required and only available for 85° beam spread)
- FLSL-F3R-2** Frosted Linear Spread Lens

SQUARE DEEP REGRESS MEDIA

IP20 Dry / Damp location only.
IP64 Wet location requires alternate baffle.

- CGL-F3S-2** Clear Glass Lens*
*(Not available for Warm Dim)
- FGL-F3S-2** Frosted Glass Lens
- SFL-F3S-2** Soft Focus Lens
- FSFL-F3S-2** Frosted Soft Focus Lens
- WDL-F3S-2** Wide Distribution Lens*
- *(Required and only available for 85° beam spread)
- FLSL-F3S-2** Frosted Linear Spread Lens

ADJUSTABLE HCL ASSEMBLY

Dry / Damp location only.

OLR-F3RD1-SFL-HCL

Adjustable Honeycomb Louver and Soft Focus Lens*
*(Not available for IP64 Wet Location, 19W, Fixed Fixtures, or Warm Dim)

REPLACEMENT BAFFLE ASSEMBLY (INCLUDES MEDIA)

ASSEMBLY	SHAPE	TYPE	RATING	FINISH	MEDIA
RBA		AF			
REPLACEMENT BAFFLE ASSEMBLY	F3RD Round Deep Regress F3SD Square Deep Regress F3TD Square Transitional Deep Regress	AF Adjustable / Fixed	1 IP20 Dry/Damp 2 IP64 Wet* *(Requires provided suction cup to service or aim & focus)	WH White AB Architectural Bronze AG Satin Silver AU Cashmere Gold BB Burnt Bronze BK Black PR Primer CF Custom Finish * *(Consult Factory)	04 Soft Focus Lens* *(Required for 10° optic) 01 Honeycomb Louver* *(Not available for IP64 Wet Location, adjustable fixtures, or Warm Dim) 02 Clear Glass Lens* *(Not available for Warm Dim) 03 Frosted Glass Lens 05 Frosted Soft Focus Lens 06 Frosted Linear Spread Lens 07 Wide Distribution Lens* *(Required and only available for 85° optic) NL No Lens* *(Not available for IP64 Wet Location, or Warm Dim)

DEEP REGRESS REPLACEMENT OPTICS

Interchangeable optics accessible through fixture aperture.

STATIC WHITE

- RO-35-15-S** 15° optic
- RO-35-25-S** 25° optic
- RO-35-40-S** 35° optic
- RO-35-60-S** 50° optic

WARM DIM

- RO-35-25-W** 25° optic
- RO-35-35-W** 35° optic
- RO-35-50-W** 50° optic

TUNABLE WHITE

- RO-35-15-T** 15° optic
- RO-35-25-T** 25° optic
- RO-35-35-T** 35° optic
- RO-35-50-T** 50° optic

REPLACEMENT SUCTION TOOL

One included with every six fixtures designated Wet location.

- F4-TOOL-SUCTION** Allows for removal of baffle with Wet location

EMERGENCY LIGHTING - REMOTE MOUNT ONLY

During disruption of main power, emergency battery inverter provides temporary 120V or 277V to fixture.

- EMB-S-25-120/277-LEDX** 25 watt max capacity, 120 or 277 VAC 60Hz, Non-Dimmable
- EMB-S-100-120-LEDX** 100 watt max capacity, 120 VAC 60Hz, 0-10V Dimmable
- EMB-S-100-277-LEDX** 100 watt max capacity, 277 VAC 60Hz, 0-10V Dimmable
- EMB-S-250-120/277-LEDX** 250 watt max capacity, 120 or 277 VAC 60Hz, 0-10V Dimmable

***SHUNT REQUIRED FOR USE WITH ATHENA AND CASAMBI CONTROLS, CONSULT FACTORY FOR DETAILS.**

FRAXION3 REMODEL DEEP REGRESS



LUMEN PACKAGE	WATT-AGE	10° OPTIC NO SOFT FOCUS LENS		15° OPTIC SOFT FOCUS LENS		25° OPTIC SOFT FOCUS LENS		35° OPTIC SOFT FOCUS LENS		50° OPTIC SOFT FOCUS LENS		80° OPTIC SOFT FOCUS LENS	
		DLVD	LPW	DLVD	LPW	DLVD	LPW	DLVD	LPW	DLVD	LPW	DLVD	LPW
80S06D	06	-	-	527	88	524	87	477	80	500	83	430	72
80S11D	11	-	-	848	77	842	77	768	70	805	73	692	63
80S15D / H	15	539	49	1129	75	1138	76	1038	69	1087	72	935	62
80S19D	19	-	-	1548	74	1537	73	1401	67	1468	70	1263	60
90S06D	06	-	-	446	74	443	74	404	67	423	71	364	61
90S11D	11	-	-	718	65	713	65	650	59	681	62	585	53
90S15D / H	15	463	30	970	65	963	64	878	59	920	61	791	63
90S19D	19	-	-	1310	62	1300	62	1185	56	1242	59	1068	51
95S06D	06	-	-	396	66	393	66	358	60	375	63	323	54
95S11D	11	-	-	637	58	632	57	576	52	604	55	519	47
95S15D / H	15	399	27	861	57	854	57	779	52	816	54	702	47
95S19D	19	-	-	1162	55	1153	55	1052	50	1102	52	948	45
90W11D (27K-18K)	11	-	-	-	-	489	44	446	41	467	42	402	37
90W11D (30K-18K)	11	-	-	-	-	495	45	451	41	473	43	407	37
90W16D (27K-18K)	16	-	-	-	-	684	43	623	39	653	41	562	35
90W16D (30K-18K)	16	-	-	-	-	693	43	632	40	662	41	570	36
90T10D (50K-27K)	10	-	-	662	66	657	66	586	59	623	62	674	67
90T10D (40K-18K)	10	-	-	752	75	746	75	667	67	708	71	766	77

MAX UNIFIED GLARE RATING

10° OPTIC NO LENS	15° OPTIC SOFT FOCUS LENS	20° OPTIC SOFT FOCUS LENS	35° OPTIC SOFT FOCUS LENS	50° OPTIC SOFT FOCUS LENS	80° OPTIC WIDE DISTRIBUTION
<10	<13	<13	<16	<19	>19

OUTPUT MULTIPLIER

CCT	CCT SCALE
2400K	0.85
2700K	0.97
3000K	1.00
3500K	1.03
4000K	1.08

TUNABLE WHITE MULTIPLIER

CCT	5000K- 2700K	4000K- 1800K
5000K	1.16	-
4000K	1.08	1.14
3500K	1.04	1.07
3000K	1.00	1.00
2700K	0.96	0.92
2400K	-	0.84
1800K	-	0.69

MEDIA LIGHT LOSS FACTOR

MEDIA	LIGHT LOSS FACTOR
NO LENS	1.06
CGL	1.00
SFL	1.00
FGL	0.89
FSFL	0.81
FLSL	0.82

FRACTION3 REMODEL DEEP REGRESS

WARM DIM PERFORMANCE - 25° OPTIC - SOFT FOCUS LENS

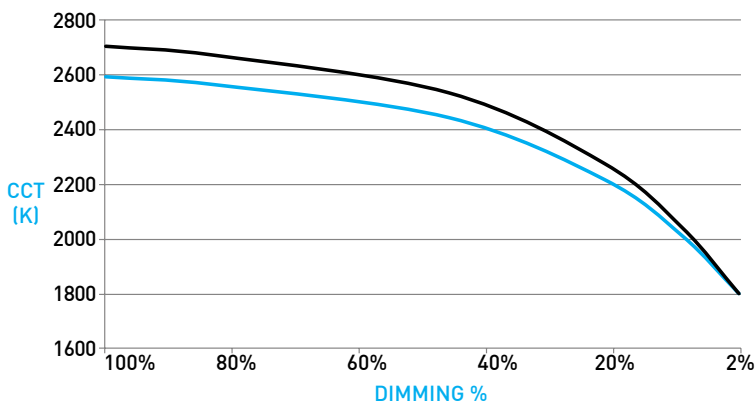
INCANDESCENT PROFILE

90W11DWL 2700K - 1800K	Full on 100%	Dimmed to 80%	Dimmed to 70%	Dimmed to 50%	Dimmed to 20%	Dimmed to 10%	Dimmed to 2%
CCT (K)	2600	2550	2520	2450	2200	1925	1800
Light Output (Lm)	489	391	342	244	97	48	9.7
Power (W)	11	8.8	7.7	5.5	2.2	1.1	0.22
Efficacy (LPW)	44	44	44	44	44	44	44
90W11DWL 2700K - 1800K	Full on 100%	Dimmed to 80%	Dimmed to 70%	Dimmed to 50%	Dimmed to 20%	Dimmed to 10%	Dimmed to 2%
CCT (K)	2700	2650	2620	2520	2180	1950	1800
Light Output (Lm)	684	547	478	342	136	68	13
Power (W)	16	12.8	11.2	8.0	3.2	1.6	0.32
Efficacy (LPW)	43	43	43	43	43	43	43

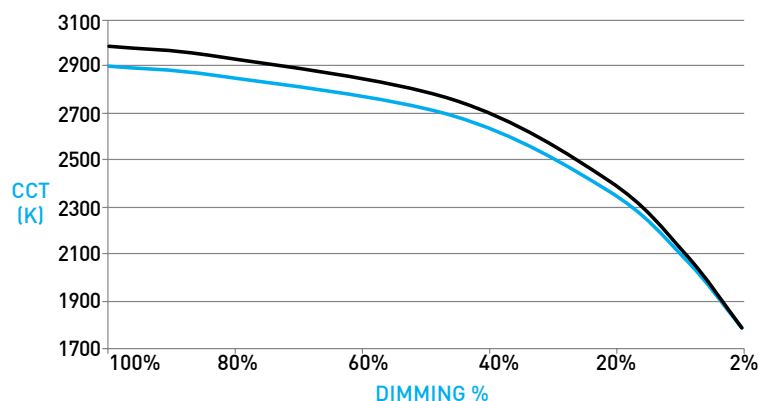
HALOGEN PROFILE

90W11DWD 3000K - 1800K	Full on 100%	Dimmed to 80%	Dimmed to 70%	Dimmed to 50%	Dimmed to 20%	Dimmed to 10%	Dimmed to 2%
CCT (K)	2900	2850	2800	2720	2350	1975	1800
Light Output (Lm)	495	396	346	247	99	49	9.9
Power (W)	11	8.8	7.7	5.5	2.2	1.1	0.22
Efficacy (LPW)	45	45	45	45	45	45	45
90W16DWD 3000K - 1800K	Full on 100%	Dimmed to 80%	Dimmed to 70%	Dimmed to 50%	Dimmed to 20%	Dimmed to 10%	Dimmed to 2%
CCT (K)	3000	2950	2920	2775	2375	2000	1800
Light Output (Lm)	693	554	485	346	138	69	13
Power (W)	16	12.8	11.2	8.0	3.2	1.6	0.32
Efficacy (LPW)	43	43	43	43	43	43	43

11W / 16W



11W / 16W



FRACTION3 REMODEL DEEP REGRESS

DOWNLIGHT

A ADJUSTABILITY

Hot-aim tilt up to 40° and 361° rotation with 5° tilt increment indicators. Sliding pivot point optimizes center beam, ensuring unclipped beam of 15° at 40° tilt and 25° at 30° tilt.

B RETENTION

Integrated metal arm clamps located within fixture body allow discreet flange design, while accommodating varying ceiling thicknesses from 0.25" to 1.50". Snap-on spacer clips (2X) supplied for ceiling thickness below 0.50" only.

C OPTIC

Robust light engine with optimized optic pairing integrates Reflection, Refraction, and TIR offering wallwash, 10°, 15°, 25°, 35°, & 50° beams.

D 10° FIELD REDUCER

Included with 10° optic. Reduces field angle by 30%

E ADJUSTABLE HCL ASSEMBLY

Honeycomb Louver and Soft Focus Lens attach directly to optic with clip-on lens retainer and adjusts with fixture. Only compatible with no lens baffle. Dry/Damp locations only. Specified as "HS" Effects Device

F MICROFLANGE PROFILE

Provides industry standard 11mm total contractor (goof) allowance with 7mm flange. Thickness measures 1.5mm. IP64 Wet location features integral silicone gasket.

G TRIMLESS GYPSUM PROFILE

Installs totally flush with the ceiling with no visible trim. Features integrated appliqué for plaster floating directly to the baffle. Not recommended for stucco applications.

H EFFECTS DEVICES / LENS RETAINER

Fixture is limited to 1 effects device. Wet location effects device is sealed in place. Suction tool provided for removal of baffle with wet location. Lens retainer allows effects devices to be changed in Dry/Damp locations.

I ROUND / SQUARE BAFFLE

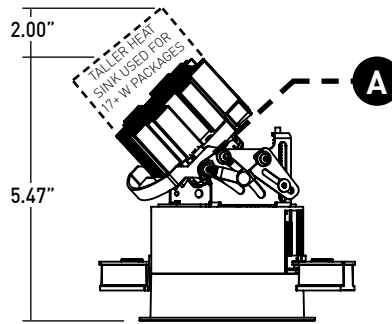
Die-cast removable baffle provides easy access to tilting mechanism and features 60° glare cutoff. Minimizes aperture glare and conceals view into housing; includes gasket.

SQUARE TRANSITIONAL BAFFLE

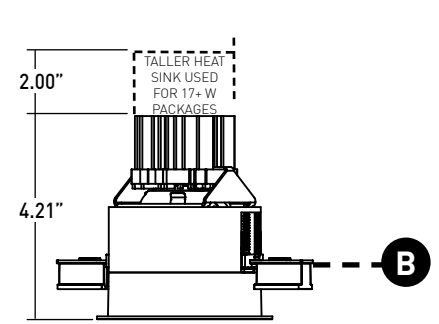
Die-cast removable baffle provides easy access to tilting mechanism and features 60° glare cutoff. Transitions from square aperture at ceiling plane to round aperture at light source. Minimizes aperture glare and conceals view into housing; includes gasket.

DIMENSIONS / DRAWINGS

ADJUSTABLE DEEP REGRESS

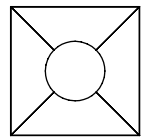
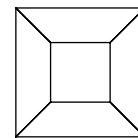
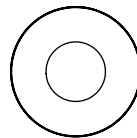
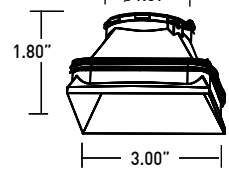
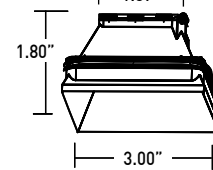
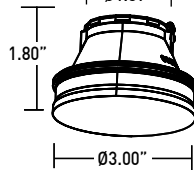
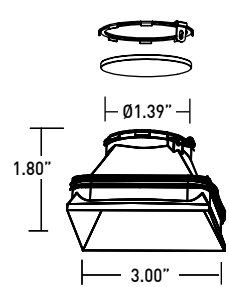
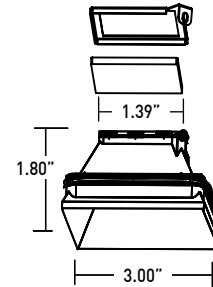
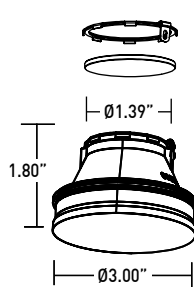
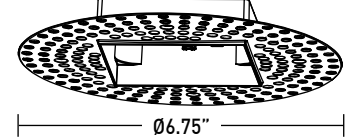
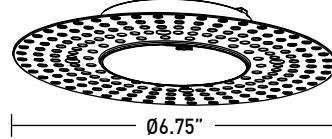
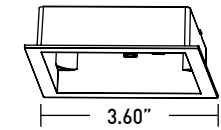
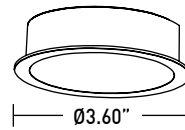


FIXED DEEP REGRESS



ROUND

SQUARE



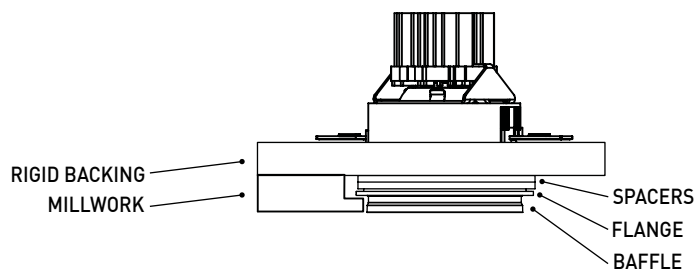
FRACTION3 REMODEL DEEP REGRESS

DOWNLIGHT

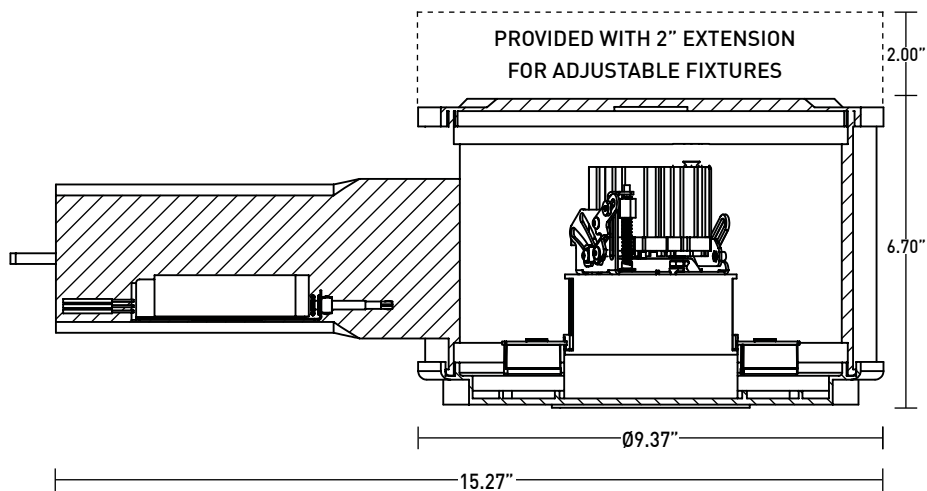
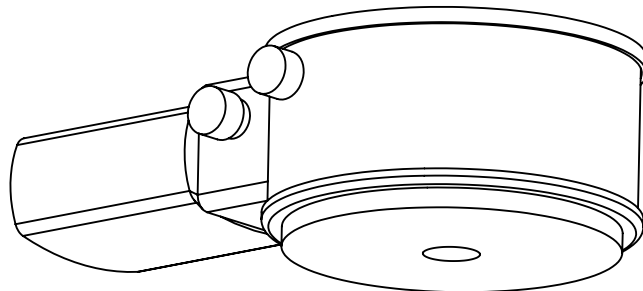
- J TRIMLESS MILLWORK PROFILE / SPACERS**
No visible flange, installs totally flush with millwork. Requires rigid backing for installation. Includes (1) 1/16" spacer and (5) 1/8" spacers.
- K CONCRETE POUR HOUSING / PROFILE**
 - Provided with install types "KC and KR".
 - Ships separate from downlight and power supply
 - Features 4 conduit entries compatible with 3/4" and 1" ENT.
 - Features tunnel for integral power supply installation.

DIMENSIONS / DRAWINGS

J



K



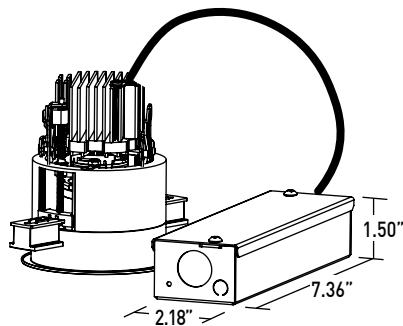
FRACTION3 REMODEL DEEP REGRESS

REMODEL POWER SUPPLY

L REMODEL WITH NON-IC TETHERED POWER SUPPLY

- Requires 3-3/8" cutout.
- Tethered power supply with protected wiring between fixture and power supply.
- Minimum 0.75" clearance from top of fixture.
- Minimum setback from combustible and non-combustible materials of 6.61" radius from fixture centerline; minimum 3.00" from surfaces of power supply if not situated within above noted radius from fixture centerline.
- Minimum additional 3.00" setback from insulation material with max R-Value 30 from any surface of downlight fixture assembly.
- Minimum additional 6.00" setback from polycell spray foam insulation with max R-Value 60 from any surface of downlight fixture assembly.
- Consult factory for spacing requirements for any installations exceeding R-Value 60.
- Do not install in environments where ambient temperatures exceed 40°C (104°F).

L

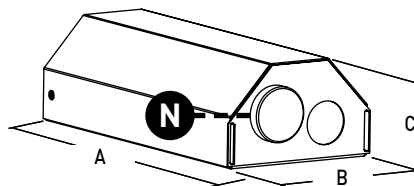


REMOTE POWER SUPPLY

M REMOTE APPLICATIONS

- Provided with install type "RR".
- Requires plenum rated Class 2 cable between fixture and remote driver. Cable supplied by others.
- See page 8 for maximum allowable wiring distance.
- Must be installed in an accessible location
- Do not install in environments where ambient temperatures exceed 40°C (104°F).

M



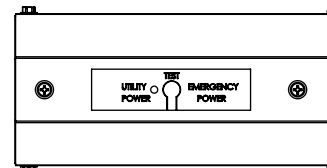
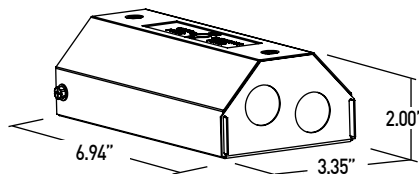
	A	B	C
STATIC WHITE / WARM DIM	6.94"	3.35"	2.00"
TUNABLE WHITE	8.10"	5.00"	2.00"
ATHENA / CASAMBI CONTROLLED	8.10"	5.00"	2.00"

REMOTE ELDOLED TUNABLE WHITE DRIVERS

TUNABLE WHITE REMOTE (120-277V)	
DG1	eldoLED, DUALdrive 0.1% 0-10V, LOG
DN1	eldoLED, DUALdrive 0.1% 0-10V, LIN
DD2	eldoLED, DUALdrive 0.1% DALI-2, LOG
AD1/ADR	Athena Control eldoLED, DUALdrive, 0.1%*
*Includes Athena Node. Extended lead time, consult factory. ADR includes shunt	
CD1/CDR	Casambi Control eldoLED, DUALdrive, 0.1%*
*Includes Casambi Node. Extended lead time, consult factory. CDR includes shunt	

O

ATHENA / CASAMBI EM SHUNT



N ATHENA / CASAMBI CONTROL

Controls integrated into remote driver assembly. All equipment is serviceable.

Athena Model Numbers: A-WN-D01-RF-BL & DFC-OEM-DBI

Casambi Model Number: BT-S1E1-5400

O ATHENA / CASAMBI EM SHUNT

Included with drivers specified as ASR, ATR, CSR, or CTR. One required for each wireless EM fixture, requires class 2 control wiring between fixture and shunt. Features integrated test switch.

Model Number: PS-RMT-SHUNT

FRACTION3 REMODEL DEEP REGRESS

TECHNICAL

CONSTRUCTION

Downlight: Painted finishes are granulated powder coat. Forged aluminum heat-sink.

Remote Power Supply: 22 Gauge galvanized steel.

Appliqué: Zinc alloy.

STATIC WHITE LED

2-step MacAdam ellipse LED module available in 80+, 90+ and 97+ CRI configurations in color temperatures of 2700K, 3000K, 3500K and 4000K. 3-step MacAdam ellipse LED module available in 90+ CRI configuration in color temperature of 2400K. Average rated lamp life of 50,000 hours. LED and driver assemblies are field-replaceable.

WARM DIM LED

3-step MacAdam ellipse warm dim LED module available in 90+ CRI configuration. 3000K or 2700K at full brightness, warming to 1800K at full dim. Average rated lamp life of 50,000 hours. LED and driver assemblies are field-replaceable.

TUNABLE WHITE LED

3-step MacAdam ellipse tunable white LED module available in 90+ CRI configuration. Features tuning ranges of 1800K to 4000K and 2700K to 5000K. Average rated lamp life of 50,000 hours. LED and driver assemblies are field-replaceable.

POWER SUPPLY PERFORMANCE AND DIMMING INFORMATION

	PHASE		0-10V						ECO	DALI-2		ATHENA		CASAMBI	
Power Supply	PH1	SG3	SN3	EG1	EN1	DG1	DN1	LP1	ED1	DD1	AS1	AD1	CS1	CD1	
Minimum °C	-20 °C	-20 °C	-20 °C	-20 °C	-20 °C	-20 °C	-20 °C	0 °C	-20 °C	-20 °C	0 °C	0 °C	-20 °C	-20 °C	
Maximum °C	40 °C	40 °C	40 °C	40 °C	40 °C	40 °C	40 °C	40 °C	40 °C	40 °C	40 °C	40 °C	40 °C	40 °C	
Dimming %	2.0%	1.0%	1.0%	0.1%	0.1%	0.1%	0.1%	0.1%	0.1%	0.1%	0.1%	0.1%	0.1%	0.1%	

Note: For PH1, LP1, EG1 and EN1 drivers consult chart on page 9 to confirm appropriate dimming curve for compatibility with selected control.

MAXIMUM ALLOWABLE REMOTE DRIVER WIRING DISTANCES

DRIVER	WIRE AWG				
	12	14	16	18	20
PH1	285'	180'	113'	71'	45'
LP1	60'	40'	25'	15'	-
EG1, EN1, ED1, DG1, DN1, DD2, AS1, AD1, CS1, CD1	-	-	118'	72'	46'

LISTING

cTUVus listed to UL1598 standard for Dry / Damp and Wet locations. NEMA 410 Compliant.

BUY AMERICAN ACT

All Fraxion3 Slim Wallwash configurations are Buy American Act compliant.

DECLARE

LBC Red List Approved.

WEIGHT

Fixture - 3 lbs max

Remote Driver - 1.4 lbs

LIMITED WARRANTY

Manufacturer's Limited Warranty guarantees product(s) listed to be free from defects in material and workmanship under normal use and service for 1-year. LED and power supplies are warranted to operate with 70% of original flux and remain within a range of 3 duv for a period of 5-years. 10-year Lutron Advantage limited warranty available on Lutron equipped systems. Warranty period begins from the date of shipment by Seller. [Consult website for full warranty terms and conditions.](#)



FRACTION3 REMODEL DEEP REGRESS

DIMMING COMPATIBILITY

PHILIPS DRIVER COMPATIBILITY

Power supply PH1 Manufacturer	Family/Model #
Lutron Electronics	DV-600P
Lutron Electronics	DVELV-303P
Lutron Electronics	NTELV-600
Lutron Electronics	MAELV-600
Lutron Electronics	SELV-300P
Lutron Electronics	DVLV-600P
Lutron Electronics	NFTU-5A
Lutron Electronics	CTCL-153P
Lutron Electronics	GL-600H
Lutron Electronics	S-600P
Lutron Electronics	PHPM

LUTRON DRIVER COMPATIBILITY

Power supply LP1 Lutron Product Family	Part No.
PowPak Dimming Modules	RMJ-EC032-DV-B
PowPak Dimming Modules	FCJ/FCJS-ECO
Energi Savr Nodes	QSN-1ECO-S
GRAFIK Eye QS control unit Homeworks QS control unit	QSN-2ECO-S
GRAFIK Eye QS control unit Homeworks QS control unit	QSGRJ- E (wireless) QSGR- E
Quantum Hub	QP2-__ 2C
Quantum Hub	QP2-__ 4C
Quantum Hub	QP2-__ 6C
Quantum Hub	QP2-__ 8C
Homeworks QS power module myRoom Plus power module	LQSE-2ECO-D



eldoLED DRIVER COMPATIBILITY

Power supply EG1 / SG3 Manufacturer	Family/Model #
Busch-Jaeger	2112U-101
Jung	240-10
Leviton Lighting Controls	IP710-DLX
Lightolier Controls	ZP600FAM120
Merten	5729
Pass & Seymour	CD4FB-W
The Watt Stopper	DCLV1
Synergy	ISD BC
Crestron®	GLX-DIMFLV8
Crestron®	GLXP-DIMFLV8
Crestron®	GLPAC-DIMFLV4-*
Crestron®	GLPAC-DIMFLV8-*
Crestron®	GLPP-DIMFLVEX-PM
Crestron®	GLPP-1DIMFLV2EX-PM
Crestron®	GLPP-1DIMFLV3EX-PM
Crestron®	DIN-A08
Crestron®	DIN-4DIMFLV4
Crestron®	CLS-EXP-DIMFLV
Crestron®	CLCI-1DIMFLV2EX
Power supply EN1 / SN3 Manufacturer	Family/Model #
Lutron Electronics	Nova T® - NTFTV
Lutron Electronics	Diva® - DVTV
Lutron Electronics	Nova® - NFTV
Lutron Electronics	GrafixEye® GRX-TVI w GRX3503
Lutron Electronics	Energy Savr Node™ - QSN-4T16-S
Lutron Electronics	TVM2 Module
Sensor Switch	nIO EZ
ABB	SD/S 2.16.1

ANALOG DRIVERS AND DIMMERS

